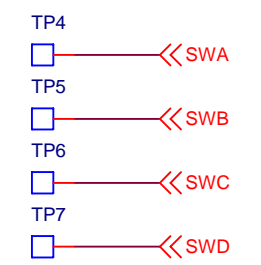
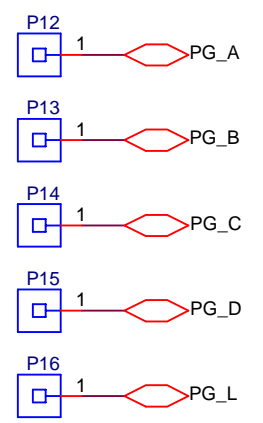
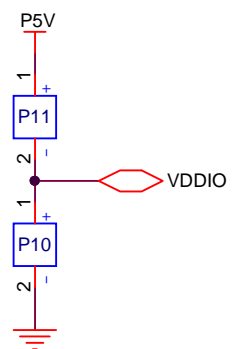
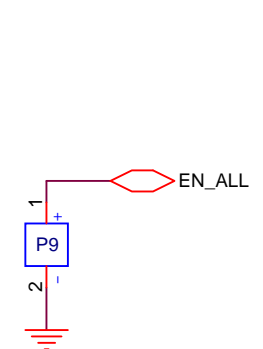
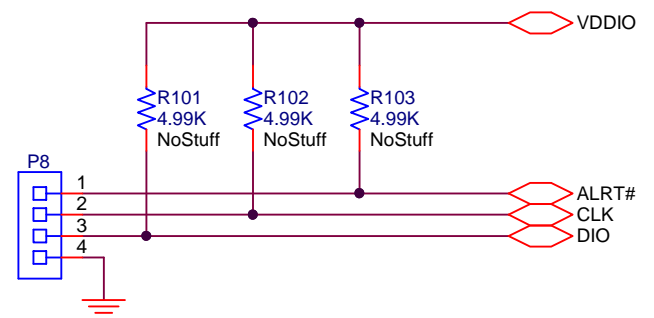
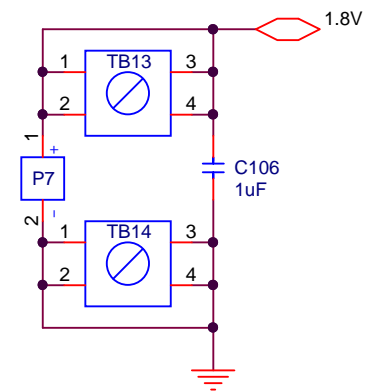
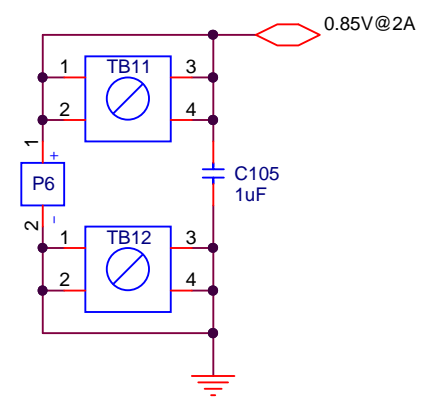
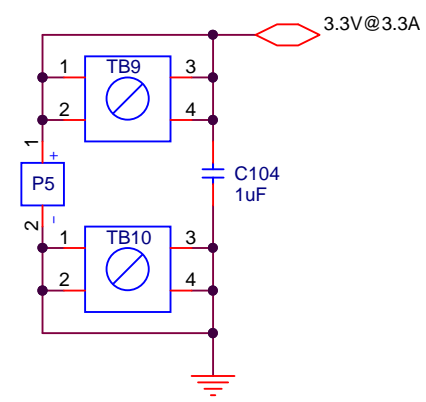
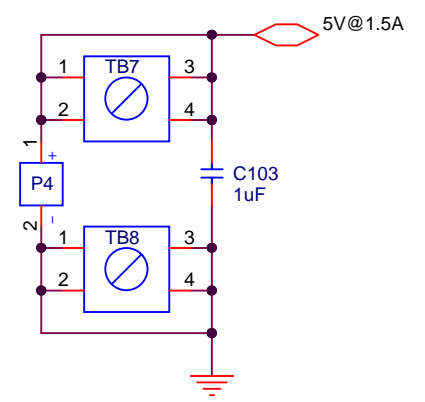
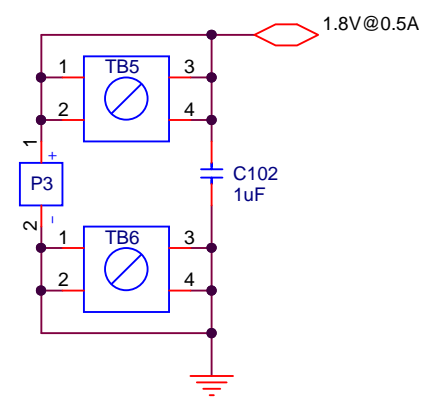
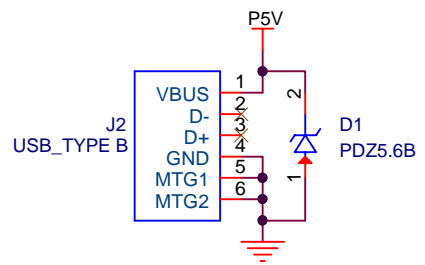
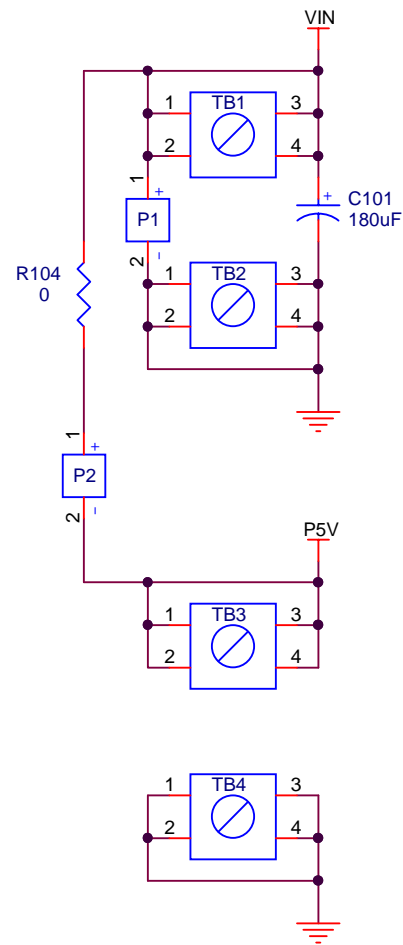


MACRO

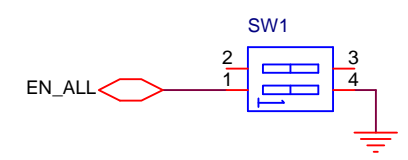
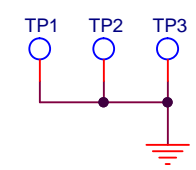


IRPS4501 EVAL BOARD		
Title		
ZYNQ 11000 CONFIG 3		
Size	Document Number	Rev
B	SCH_EV113-003	E1
Date:	Thursday, July 27, 2017	Sheet 1 of 2

- PG_A
- PG_B
- PG_C
- PG_D
- PG_L



EXPOSED COPPER PADS



IRPS5401 EVAL BOARD			
Title			
ZYNQ 11000 CONFIG 3			
Size	Document Number	Rev	
B	SCH_EV113-003	E1	
Date:	Thursday, July 27, 2017	Sheet	2 of 2