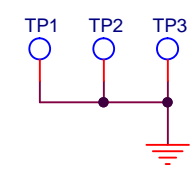
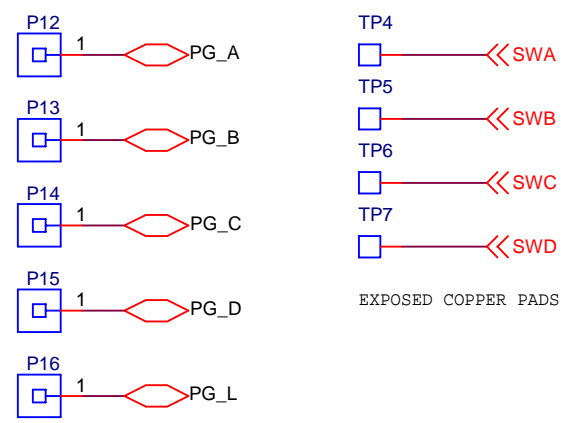
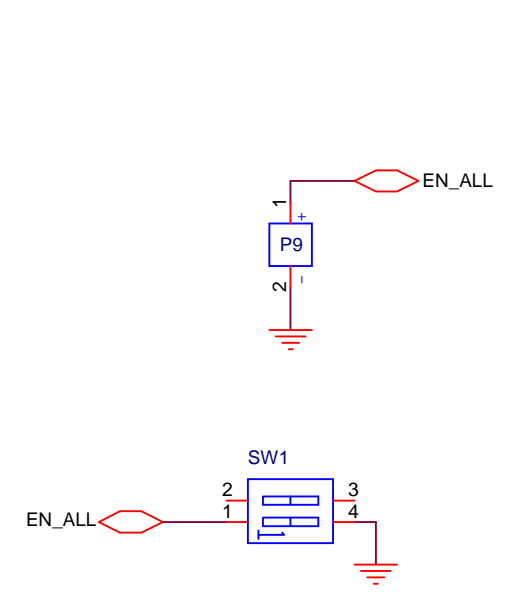
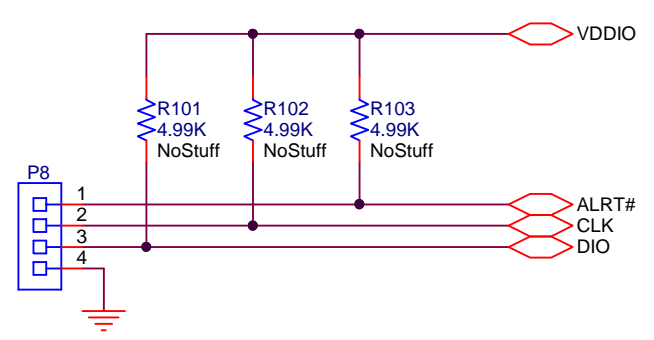
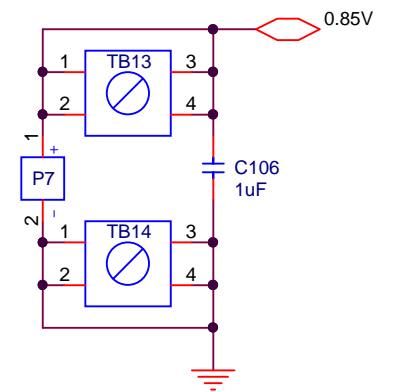
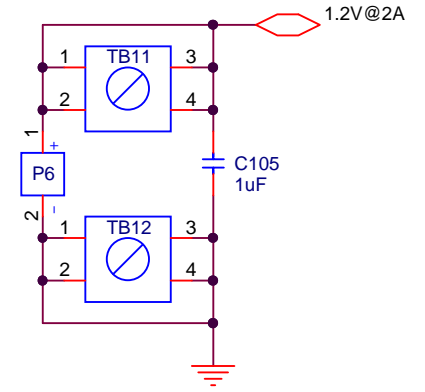
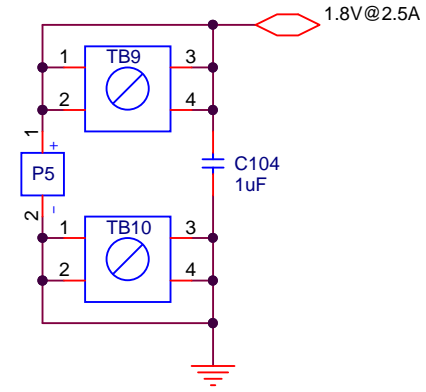
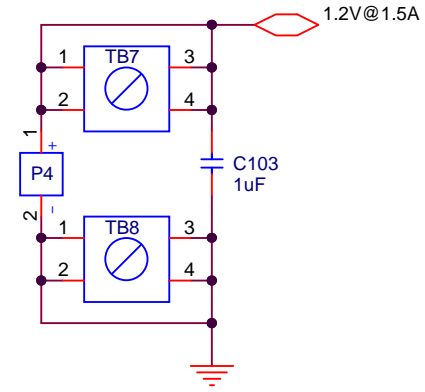
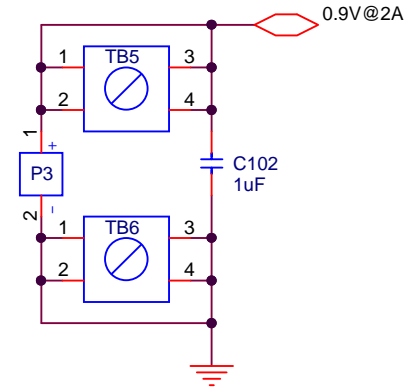
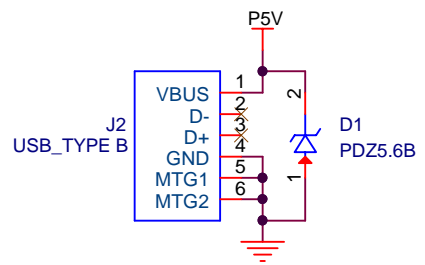
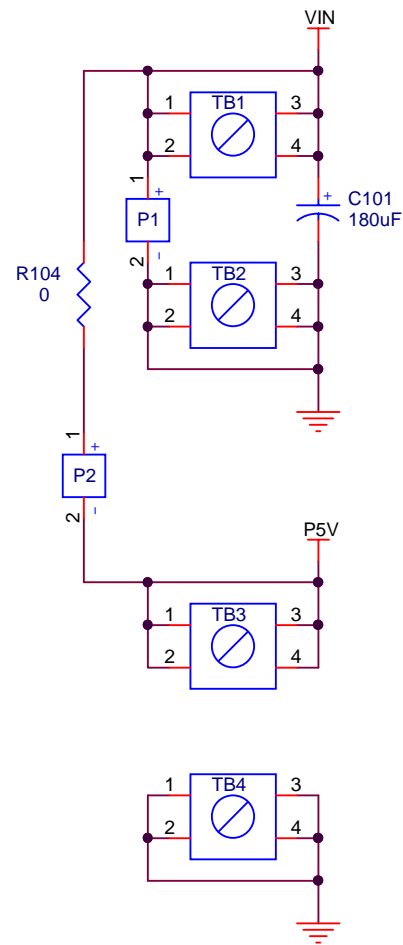


MACRO



IRPS4501 EVAL BOARD		
Title		
ZYNQ 6190 CONFIG 10		
Size	Document Number	Rev
B	SCH_EV113-010	E1
Date:	Tuesday, August 01, 2017	Sheet 1 of 2

- PG\_A
- PG\_B
- PG\_C
- PG\_D
- PG\_L



IRPS5401 EVAL BOARD			
Title			
ZYNQ 6190 CONFIG 10			
Size	Document Number	Rev	
<b>B</b>	<b>SCH_EV113-010</b>	<b>E1</b>	
Date:	Thursday, July 27, 2017	Sheet	2 of 2