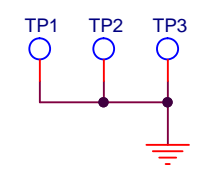
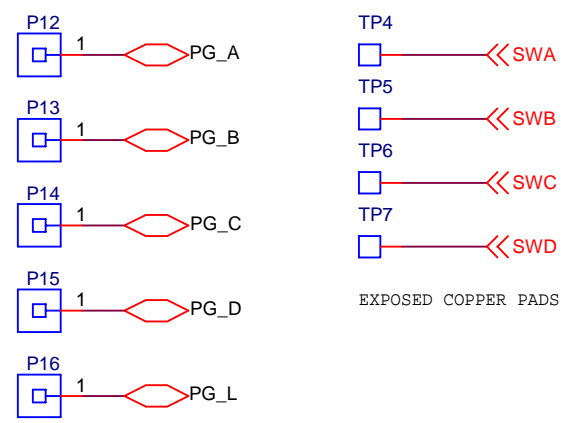
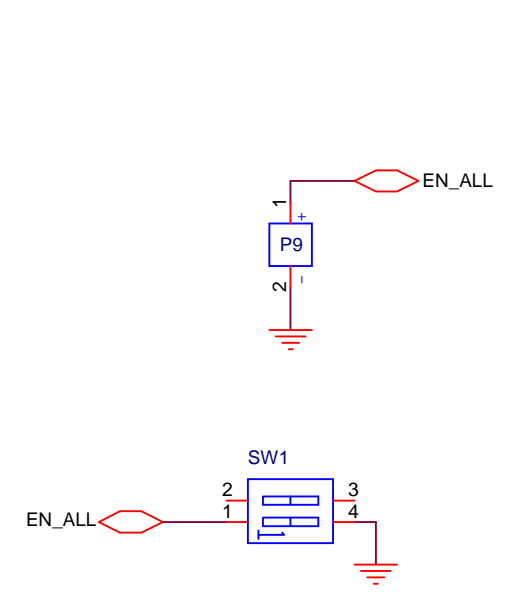
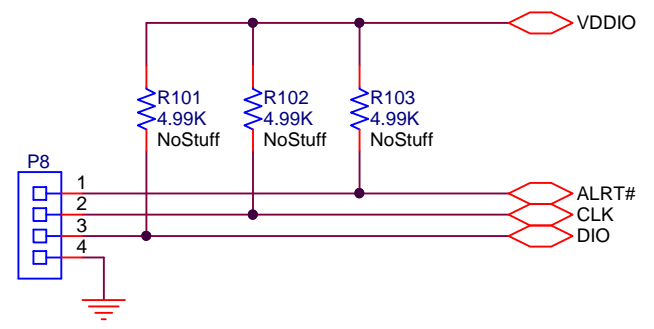
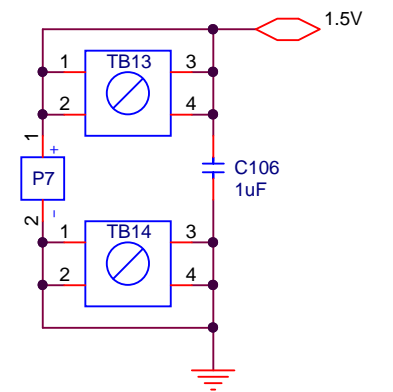
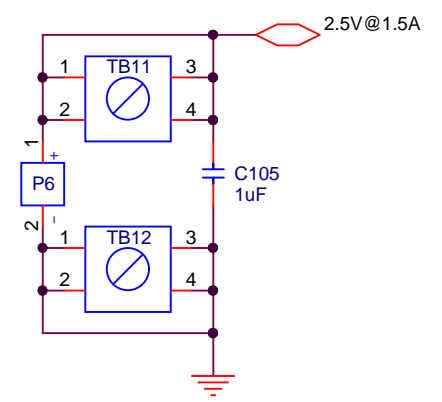
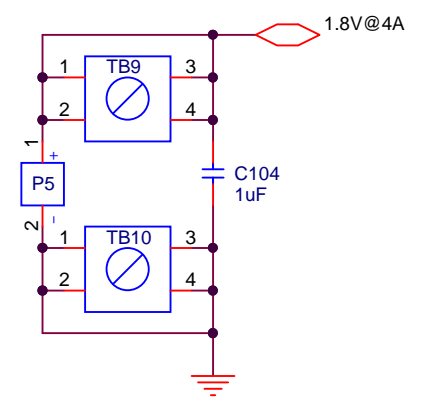
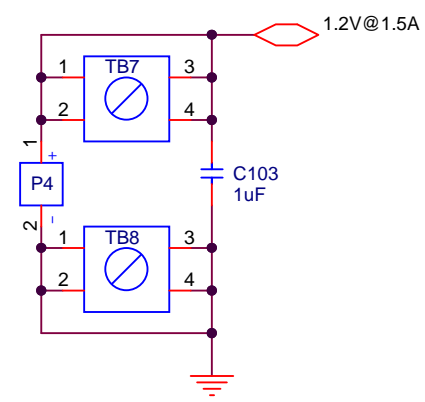
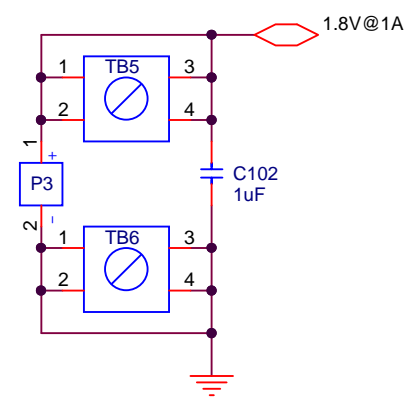
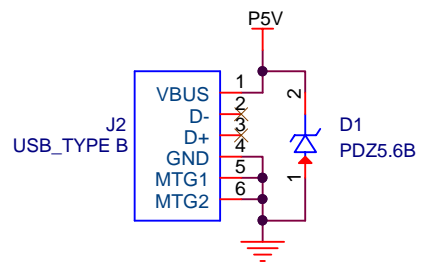
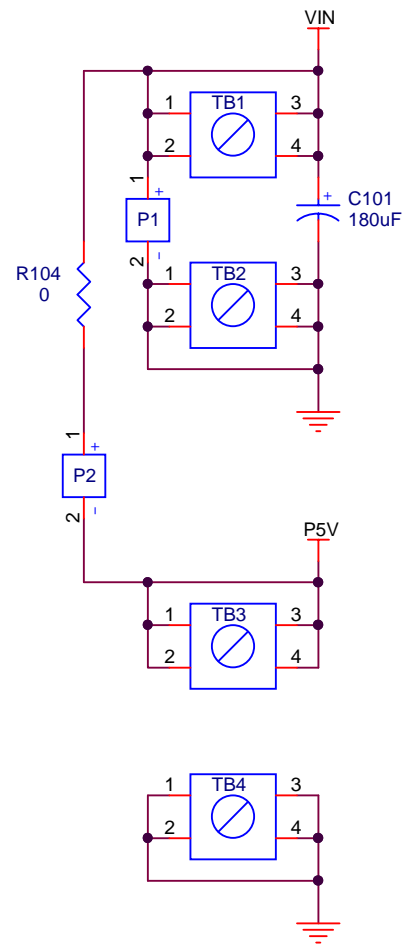


MACRO



IRPS4501 EVAL BOARD		
Title		
ZYNQ 5490 CONFIG 9		
Size	Document Number	Rev
B	SCH_EV113-009	E1
Date:	Tuesday, August 01, 2017	Sheet 1 of 2

- PG_A
- PG_B
- PG_C
- PG_D
- PG_L



IRPS5401 EVAL BOARD		
Title		
ZYNQ 5490 CONFIG 9		
Size	Document Number	Rev
B	SCH_EV113-009	E1
Date:	Thursday, July 27, 2017	Sheet 2 of 2