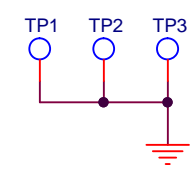
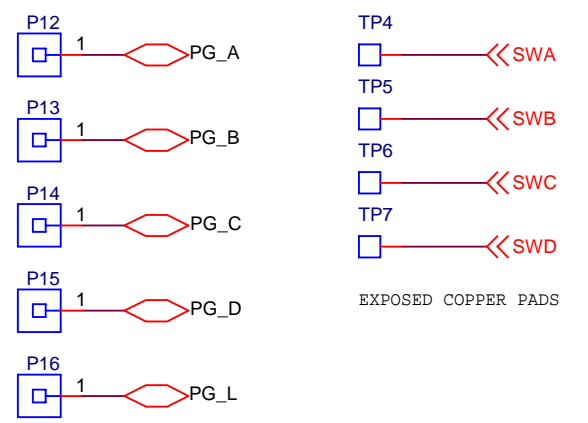
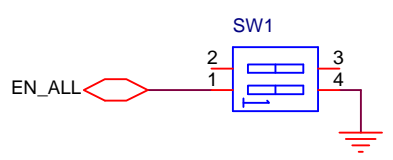
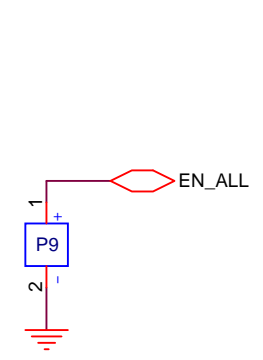
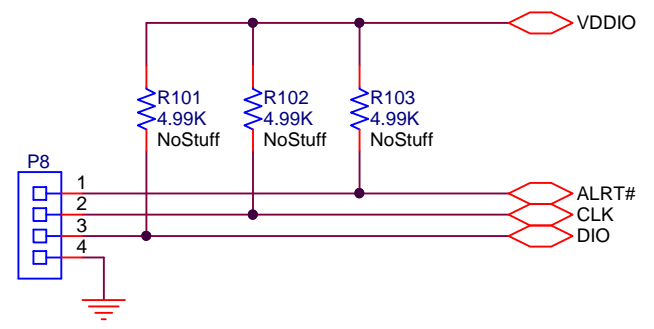
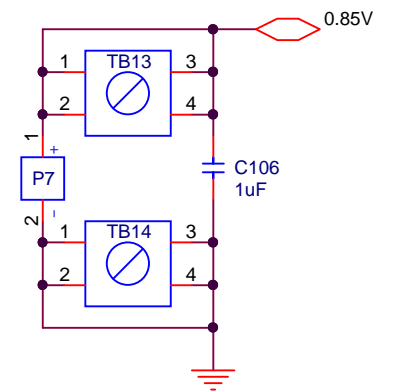
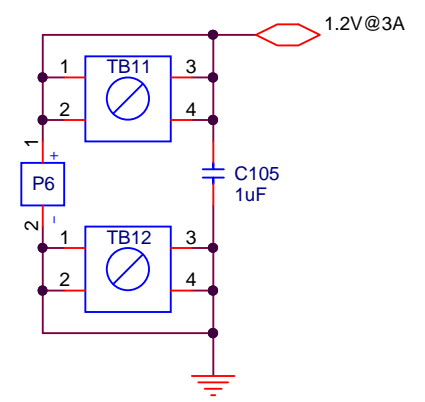
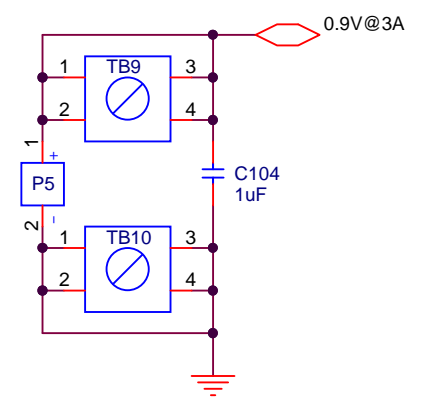
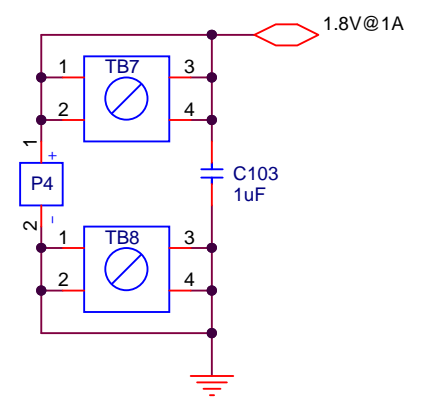
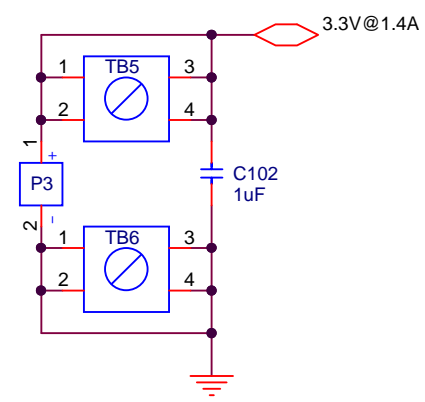
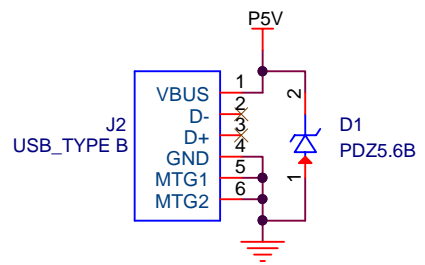
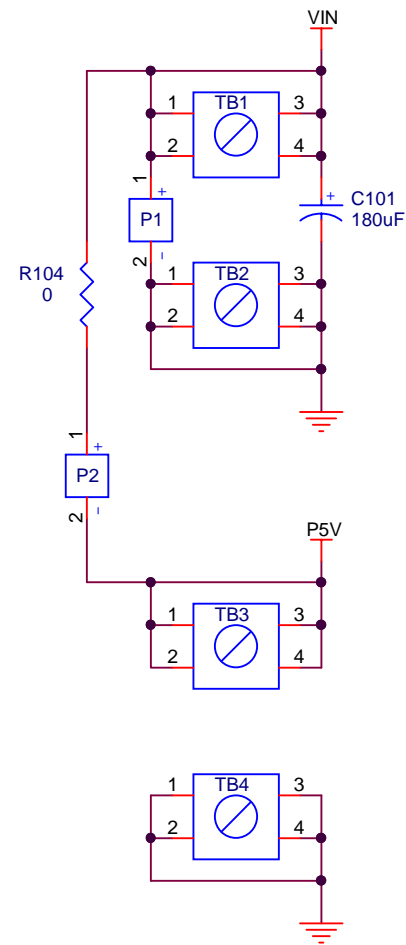


MACRO



IRPS5401 EVAL BOARD		
Title		
ZYNQ 3480 CONFIG 6		
Size	Document Number	Rev
B	SCH_EV113-006	E1
Date:	Friday, June 02, 2017	Sheet 1 of 2

- PG_A
- PG_B
- PG_C
- PG_D
- PG_L



POWER / MISC



Title		
IRPS5401 EVAL BOARD		
ZYNQ 3480 CONFIG 6		
Size	Document Number	Rev
B	SCH_EV113-006	E1
Date:	Monday, June 05, 2017	Sheet 2 of 2