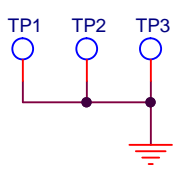
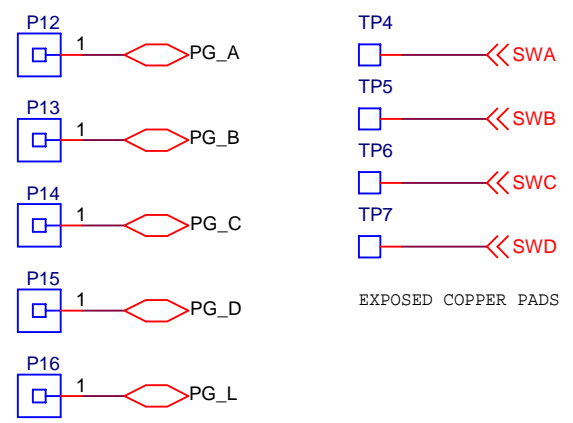
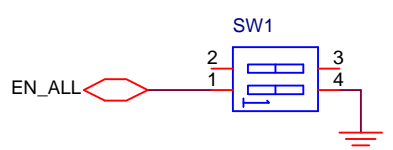
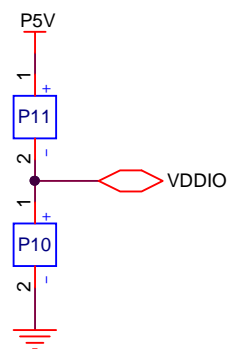
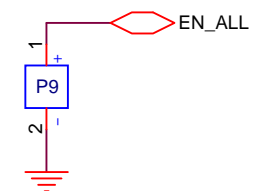
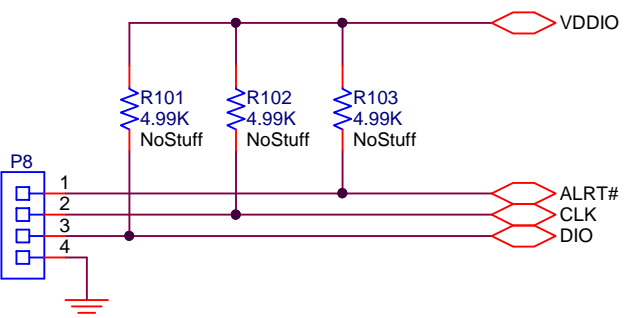
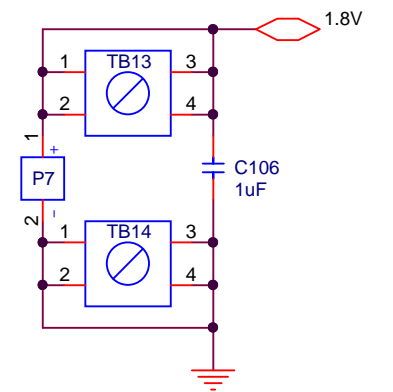
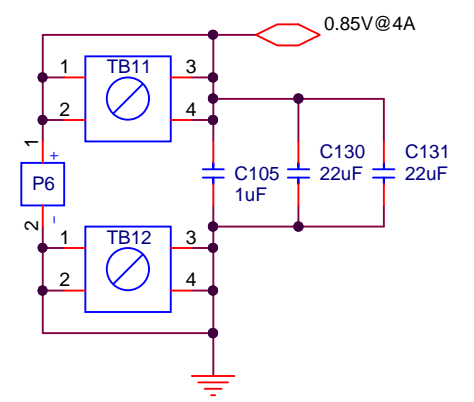
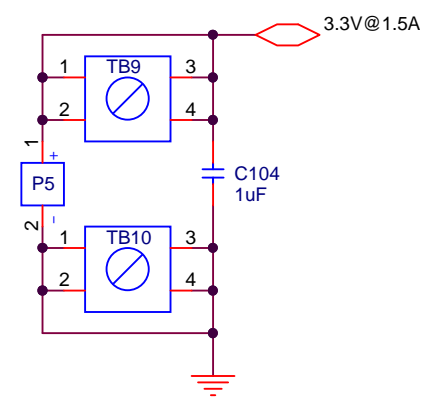
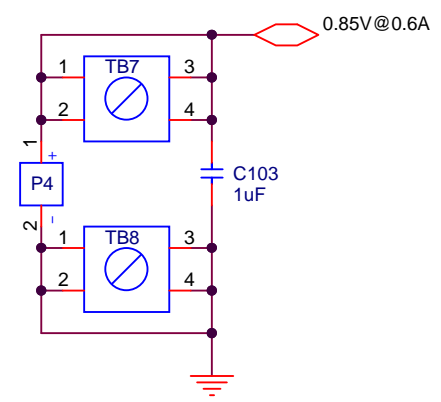
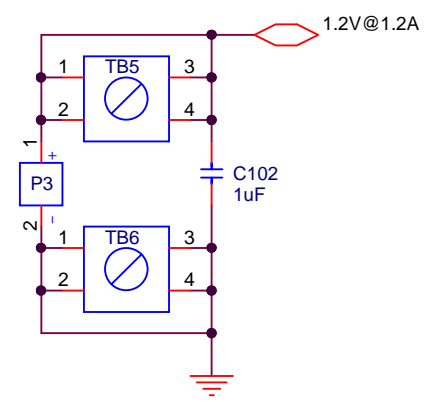
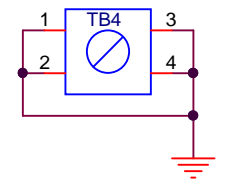
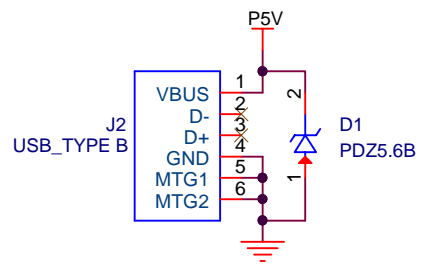
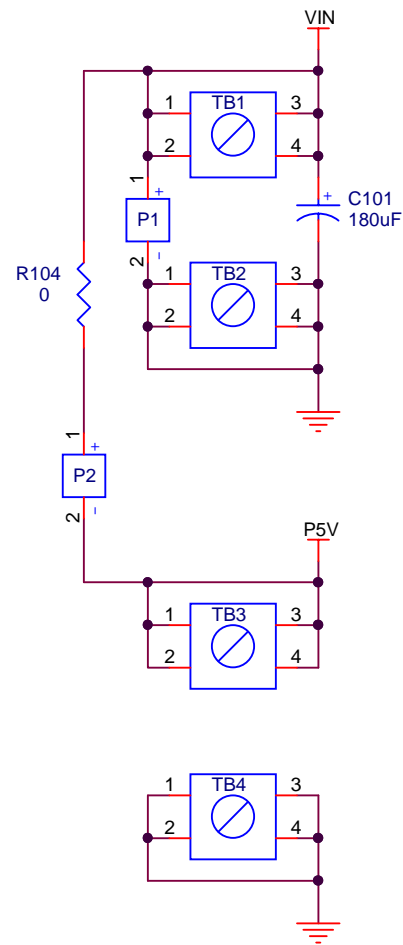


- PG_A
- PG_B
- PG_C
- PG_D
- PG_L



IRPS4501 EVAL BOARD		
Title		
ZYNQ 10000 CONFIG 2		
Size	Document Number	Rev
B	SCH_EV113-002	E1
Date:	Thursday, July 27, 2017	Sheet 1 of 2

MACRO



IRPS5401 EVAL BOARD			
Title			
ZYNQ 10000 CONFIG 2			
Size	Document Number	Rev	
B	SCH_EV113-002	E1	
Date:	Thursday, July 27, 2017	Sheet	2 of 2