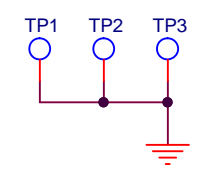
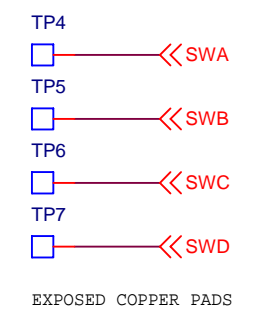
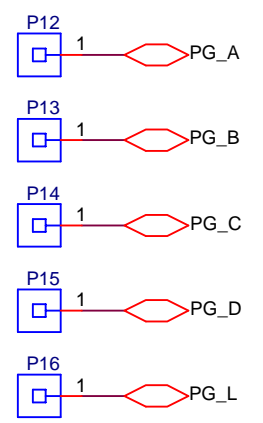
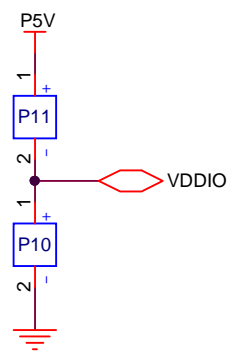
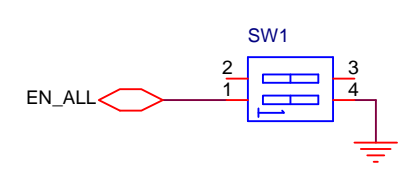
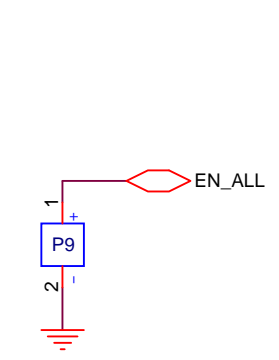
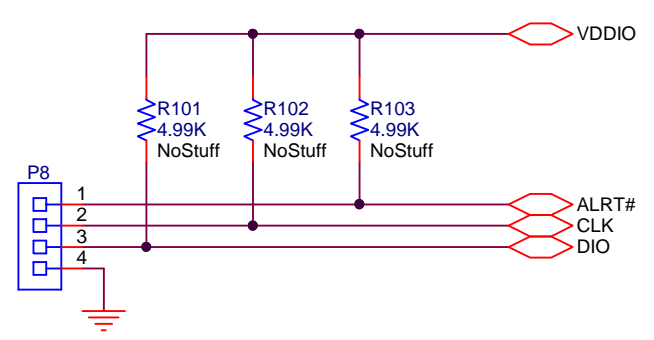
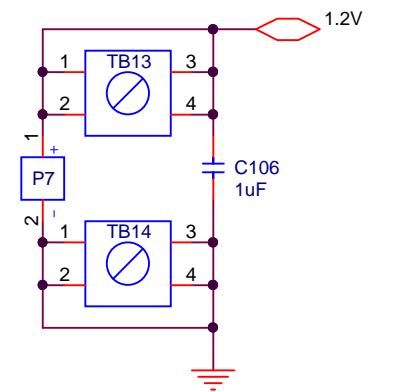
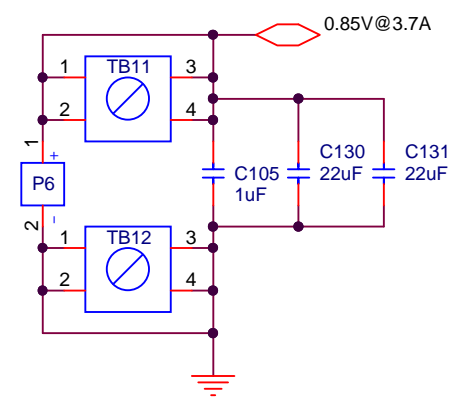
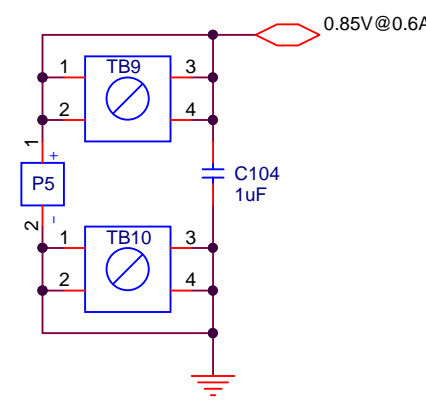
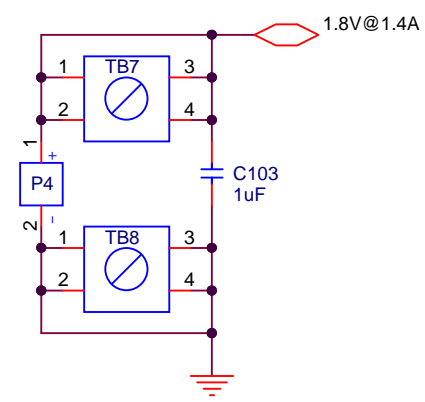
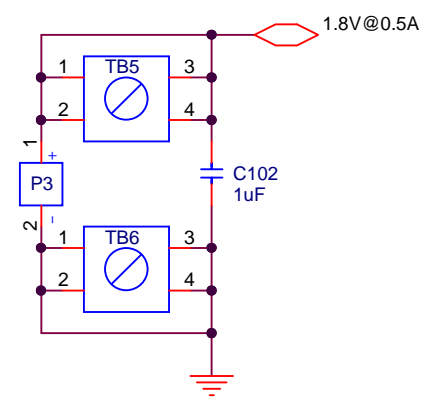
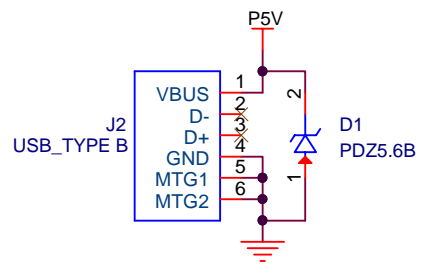
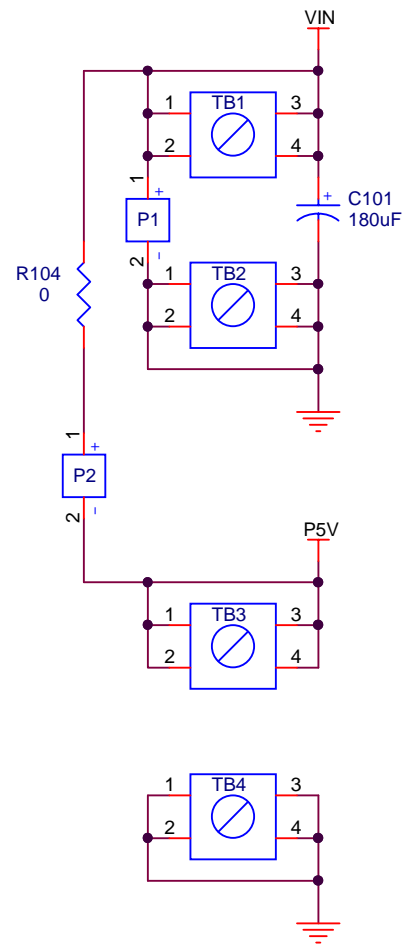


MACRO



IRPS4501 EVAL BOARD		
Title		
ZYNQ 8870 CONFIG 1		
Size	Document Number	Rev
B	SCH_EV113-001	E1
Date:	Thursday, July 27, 2017	Sheet 1 of 2

- PG_A
- PG_B
- PG_C
- PG_D
- PG_L



IRPS5401 EVAL BOARD		
Title		
ZYNQ 8870 CONFIG 1		
Size	Document Number	Rev
B	SCH_EV113-001	E1
Date:	Thursday, July 27, 2017	Sheet 2 of 2