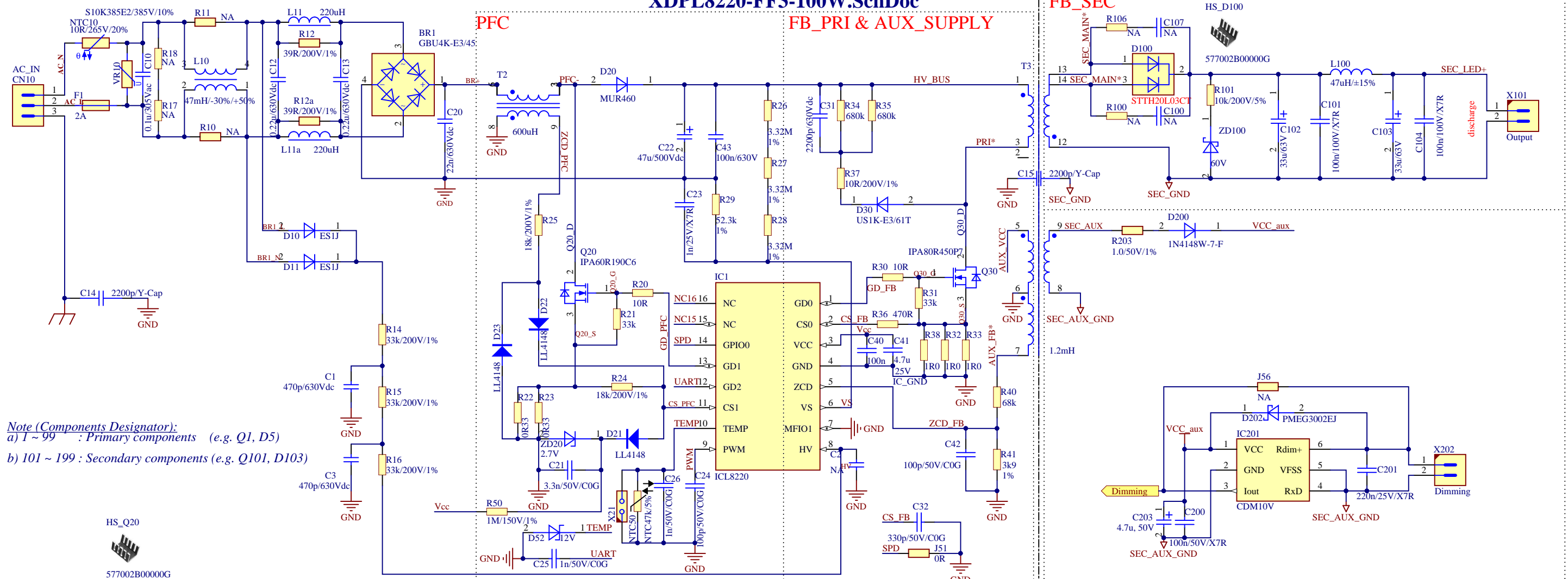
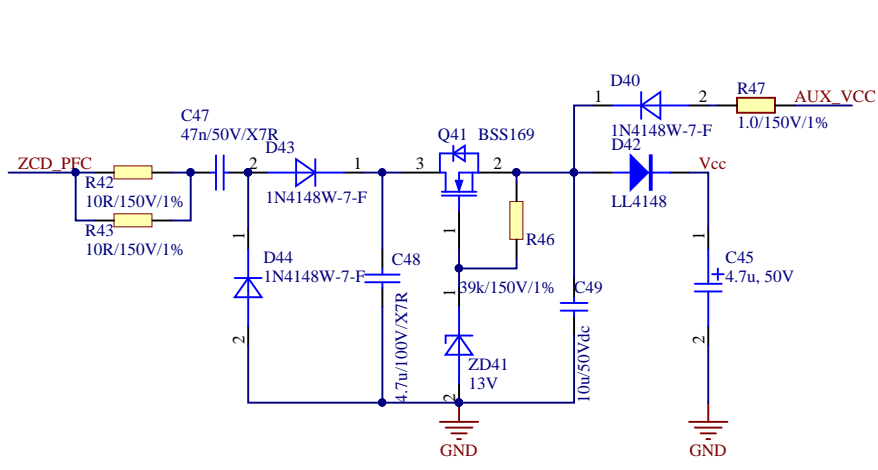


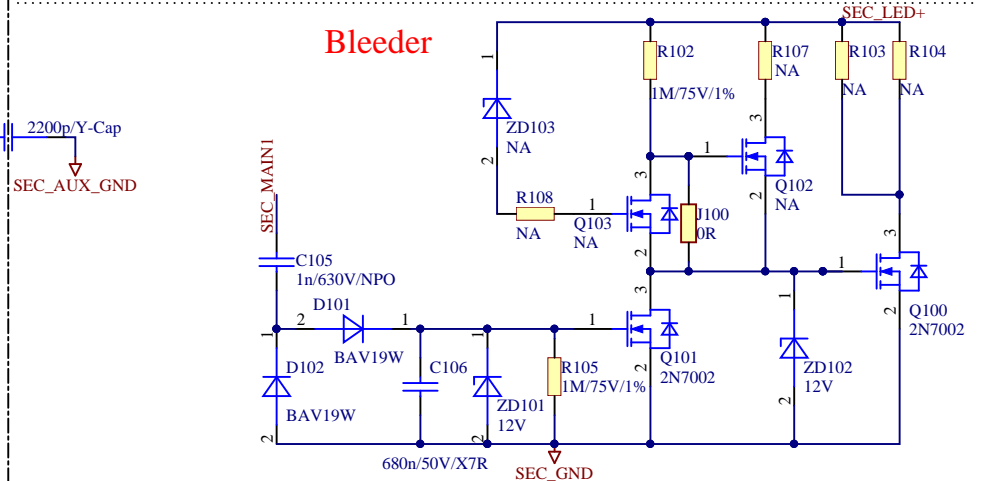
XDPL8220-FF3-100W.SchDoc



Note (Components Designator):
 a) 1 ~ 99 : Primary components (e.g. Q1, D5)
 b) 101 ~ 199 : Secondary components (e.g. Q101, D103)



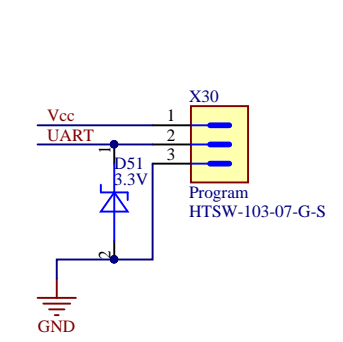
SEC_AUX POWER SUPPLY & 3 IN 1 DIMMING



TEST POINTS

- PFC_GD GD_PFC
- PFC_CS CS_PFC
- PFC_ZCD ZCD_PFC
- PFC_Drain PFC-
- HV_BUS HV_BUS
- FB_GD GD_FB
- FB_ZCD ZCD_FB
- FB_Drain PRI*
- FB_AUX AUX_FB*
- FB_CS CS_FB
- Vcc Vcc
- IC_GND GND
- GND GND
- UART UART
- PWM PWM
- TEMP TEMP
- AC_L AC_L
- AC_N AC_N
- SEC_MAIN* SEC_MAIN*
- SEC_GND SEC_GND
- SEC_LED+ SEC_LED+
- SEC_AUX SEC_AUX
- SEC_AUX_GND SEC_AUX_GND
- SPD SPD

PROGRAM



Infineon Technologies AG		PMM ACDC AE LI	
Am Campeon 1-12 - 85579 Neubiberg - Germany			
Title		XDPL8220 FF3 100W	
Variant		[No Variations]	
Size:	Document Name	Rel. TJ	Rev. V2.3
A3	XDPL8220-FF3-100W.SchDoc		
Author: TJ		Date: 10.02.2017 Time: 09:55:59	
		SVN Revision: 3 [Locally Modified]	
© Infineon Technologies AG 2014. All Rights Reserved.			
		Sheet of 1	

