



Please note that Cypress is an Infineon Technologies Company.

The document following this cover page is marked as “Cypress” document as this is the company that originally developed the product. Please note that Infineon will continue to offer the product to new and existing customers as part of the Infineon product portfolio.

Continuity of document content

The fact that Infineon offers the following product as part of the Infineon product portfolio does not lead to any changes to this document. Future revisions will occur when appropriate, and any changes will be set out on the document history page.

Continuity of ordering part numbers

Infineon continues to support existing part numbers. Please continue to use the ordering part numbers listed in the datasheet for ordering.

Single-Chip Bluetooth Low Energy-Only System-On-Chip

The Cypress CYW20737 is an advanced Bluetooth low energy SoC that supports wireless charging profile, includes advanced security features and introduces new software support for NFC pairing via a tag. The CYW20737 is designed to support the entire spectrum of Bluetooth Smart use cases for the medical, home automation, accessory, sensor, Internet Of Things, and wearable market segments.

The CYW20737 radio has been designed to provide low power, low cost, and robust communications for applications operating in the globally available 2.4 GHz unlicensed Industrial, Scientific, and Medical (ISM) band.

The single-chip Bluetooth low energy SoC is a monolithic component implemented in a standard digital CMOS process and requires minimal external components to make a fully compliant Bluetooth device. The CYW20737 is available in a 32-pin, 5 mm × 5 mm 32-QFN package as well as BGA SIP. CYW20737 is supported in WICED SDK 2.x.

Features

- AirFuel wireless charging profile.
- Support for RSA encryption/decryption and key exchange mechanisms (up to 4 kbit)
- Support for X.509 certificate exchange
- Support for NFC tag-based "tap-to-pair"
- Support for Bluetooth Smart Based Audio via Apple LEA Spec.
- Bluetooth low energy (BLE)-compliant
- Infrared modulator
- Supports Adaptive Frequency Hopping
- Excellent receiver sensitivity
- 10-bit auxiliary ADC with nine analog channels
- On-chip support for serial peripheral interface (master and slave modes)
- Serial Communications interface (compatible with Philips® I²C slaves)
- Programmable output power control
- Integrated ARM® Cortex™-M3 based microprocessor core
- Automation Profile
- Support for secure OTA
- On-chip power-on reset (POR)
- Support for EEPROM and serial flash interfaces
- Integrated low-dropout regulator (LDO)
- On-chip software controlled power management unit
- Package type:
 - 32-pin 32-QFN package (5 mm × 5 mm)
- RoHS compliant

Applications

The following profiles are supported¹ in ROM:

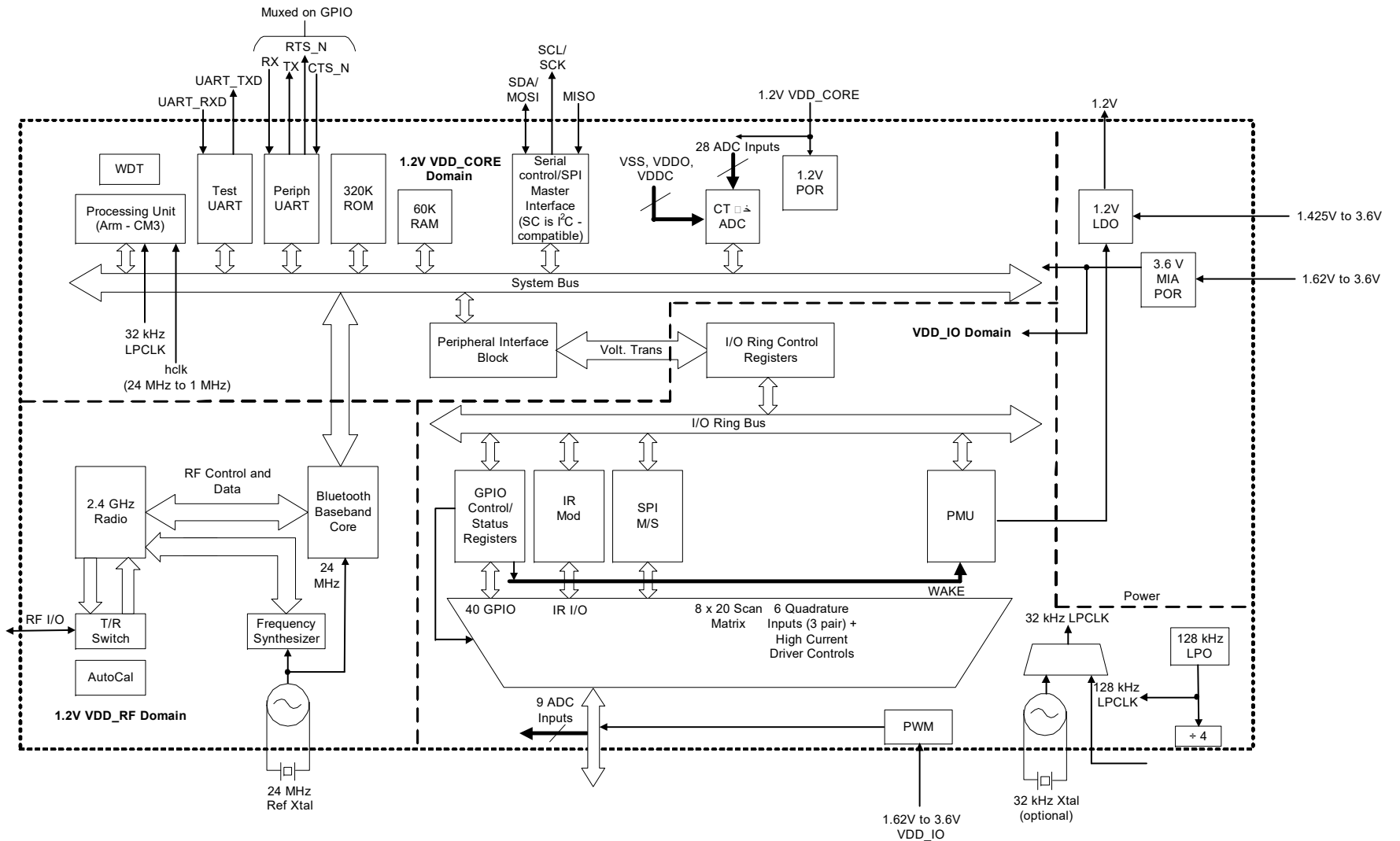
- Battery status
- Blood pressure monitor
- Find me
- Heart rate monitor
- Proximity
- Thermometer
- Weight scale
- Time

Additional profiles that can be supported from RAM include:

- Blood glucose monitor
- Temperature alarm
- Location

1.Full qualification and use of these profiles may require FW updates from Broadcom. Some of these profiles are under development/approval at the Bluetooth SIG and conformity with the final approved version is pending. Contact your supplier for updates and the latest list of profiles.

Figure 1. Functional Block Diagram



Contents

1. Functional Description	4		
1.1 Bluetooth Baseband Core	4		
1.1.1 Frequency Hopping Generator	4		
1.1.2 E0 Encryption	4		
1.1.3 Link Control Layer	4		
1.1.4 Adaptive Frequency Hopping	4		
1.1.5 Bluetooth Low Energy Profiles	4		
1.1.6 Test Mode Support	5		
1.2 Infrared Modulator	5		
1.3 Security	5		
1.4 Support for NFC Tag Based Pairing	6		
1.5 Bluetooth Smart Audio	6		
1.6 ADC Port	7		
1.7 Serial Peripheral Interface	8		
1.8 Microprocessor Unit	9		
1.8.1 EEPROM Interface	9		
1.8.2 Serial Flash Interface	9		
1.8.3 Internal Reset	10		
1.8.4 External Reset	10		
1.9 Integrated Radio Transceiver	11		
1.9.1 Transmitter Path	11		
1.9.2 Receiver Path	11		
1.9.3 Local Oscillator	11		
1.9.4 Calibration	11		
1.9.5 Internal LDO Regulator	11		
1.10 Peripheral Transport Unit	12		
1.10.1 Serial Communications Interface	12		
1.10.2 UART Interface	12		
1.11 Clock Frequencies	12		
1.11.1 Crystal Oscillator	12		
1.12 GPIO Port	14		
1.13 PWM	14		
1.14 Power Management Unit	16		
		1.14.1 RF Power Management	16
		1.14.2 Host Controller Power Management	16
		1.14.3 BBC Power Management	16
2. Pin Assignments	17		
2.1 Pin Descriptions	17		
2.2 GPIO Pin Multiplexing	21		
2.3 Ball Maps	22		
3. Specifications	23		
3.1 Electrical Characteristics	23		
3.2 RF Specifications	26		
3.3 Timing and AC Characteristics	28		
3.3.1 UART Timing	28		
3.3.2 SPI Timing	29		
3.3.3 Serial Control Interface Timing	30		
3.4 ESD Test Models	31		
3.4.1 Human-Body Model (HBM) – ANSI/ESDA/JEDEC JS-001-2012	31		
3.4.2 Machine Model (MM) – JEDEC ESD22-A115C	31		
3.4.3 Charged-Device Model (CDM) - JEDEC JESD22-C101E	31		
3.4.4 Results Summary	31		
4. Mechanical Information	32		
4.1 Tape Reel and Packaging Specifications	33		
5. Ordering Information	34		
6. Additional Information	34		
6.1 Acronyms and Abbreviations	34		
6.2 IoT Resources	35		
Document History Page	36		
Sales, Solutions, and Legal Information	37		

1. Functional Description

1.1 Bluetooth Baseband Core

The Bluetooth Baseband Core (BBC) implements all of the time-critical functions required for high performance Bluetooth operation. The BBC manages the buffering, segmentation, and data routing for all connections. It also buffers data that passes through it, handles data flow control, schedules ACL TX/RX transactions, monitors Bluetooth slot usage, optimally segments and packages data into baseband packets, manages connection status indicators, and composes and decodes HCI packets. In addition to these functions, it independently handles HCI event types and HCI command types.

The following transmit and receive functions are also implemented in the BBC hardware to increase TX/RX data reliability and security before sending over the air:

- Receive Functions: symbol timing recovery, data deframing, forward error correction (FEC), header error control (HEC), cyclic redundancy check (CRC), data decryption, and data dewatering.
- Transmit Functions: data framing, FEC generation, HEC generation, CRC generation, link key generation, data encryption, and data whitening.

1.1.1 Frequency Hopping Generator

The frequency hopping sequence generator selects the correct hopping channel number depending on the link controller state, Bluetooth clock, and device address.

1.1.2 E0 Encryption

The encryption key and the encryption engine are implemented using dedicated hardware to reduce software complexity and provide minimal processor intervention.

1.1.3 Link Control Layer

The link control layer is part of the Bluetooth link control functions that are implemented in dedicated logic in the Link Control Unit (LCU). This layer consists of the Command Controller, which takes software commands, and other controllers that are activated or configured by the Command Controller to perform the link control tasks. Each task performs a different Bluetooth link controller state. STANDBY and CONNECTION are the two major states. In addition, there are five substates: page, page scan, inquiry, and inquiry scan.

1.1.4 Adaptive Frequency Hopping

The CYW20737 gathers link quality statistics on a channel-by-channel basis to facilitate channel assessment and channel map selection. The link quality is determined by using both RF and baseband signal processing to provide a more accurate frequency hop map.

1.1.5 Bluetooth Low Energy Profiles

The CYW20737 supports Bluetooth low energy, including the following profiles that are supported² in ROM:

- Battery status
- Blood pressure monitor
- Find me
- Heart rate monitor
- Proximity
- Thermometer
- Weight scale
- Time
- AirFuel wireless charging

2. Full qualification and use of these profiles may require FW updates from Broadcom. Some of these profiles are under development/approval at the Bluetooth SIG and conformity with the final approved version is pending. Contact your supplier for updates and the latest list of profiles.

- Automation profile
- Support for secure OTA

The following additional profiles can be supported² from RAM:

- Blood glucose monitor
- Temperature alarm
- Location
- Custom profile

1.1.6 Test Mode Support

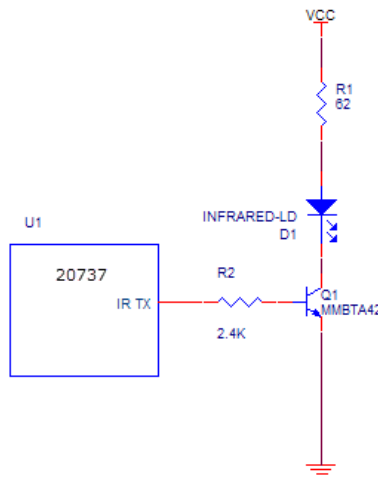
The CYW20737 fully supports Bluetooth Test mode, as described in the Bluetooth low energy specification.

1.2 Infrared Modulator

The CYW20737 includes hardware support for infrared TX. The hardware can transmit both modulated and unmodulated waveforms. For modulated waveforms, hardware inserts the desired carrier frequency into all IR transmissions. IR TX can be sourced from firmware-supplied descriptors, a programmable bit, or the peripheral UART transmitter.

If descriptors are used, they include IR on/off state and the duration between 1–32767 μ sec. The CYW20737 IR TX firmware driver inserts this information in a hardware FIFO and makes sure that all descriptors are played out without a glitch due to underrun (see Figure 2).

Figure 2. Infrared TX



1.3 Security

CYW20737 provides elaborate mechanisms for implementing security and authentication schemes using:

- RSA (Public Key Cryptography)
- X.509 (excluding parsing)
- Hash functions: MD5, SHA-1, SHA-224, SHA-256, SHA-384, SHA-512
- Message authentication code: HMAC MD5, HMAC SHA-1

Note: Details on how to use this functionality via SDK are available in application notes on this topic.

1.4 Support for NFC Tag Based Pairing

CYW20737 provides support for "ease of pairing" and "secure key exchange" use cases using passive tags. Active tags can be used with the chip for OOB pairing. In a typical use case, the BCM20203 (NFC tag) can be used to provide "tap to pair" functionality for easy pairing.

Note: Details on how to use this functionality via SDK are available in application notes on this topic.

1.5 Bluetooth Smart Audio

CYW20737 supports using the BLE link for audio streaming. This functionality can be used for audio applications in toys, wearable, and HID devices, as well as in hearing aids.

Note: Details on how to use this functionality via SDK are available in application notes on this topic.

1.6 ADC Port

The CYW20737 contains a 16-bit ADC (effective number of bits is 10).

Additionally:

- There are 9 analog input channels in the 32-pin package
- The following GPIOs can be used as ADC inputs:
 - P0
 - P1
 - P8/P33 (select only one)
 - P11
 - P12
 - P13/P28 (select only one)
 - P14/P38 (select only one)
 - P15
 - P32
- The conversion time is 10 μ s.
- There is a built-in reference with supply- or bandgap-based reference modes.
- The maximum conversion rate is 187 kHz.
- There is a rail-to-rail input swing.

The ADC consists of an analog ADC core that performs the actual analog-to-digital conversion and digital hardware that processes the output of the ADC core into valid ADC output samples. Directed by the firmware, the digital hardware also controls the input multiplexers that select the ADC input signal V_{inp} and the ADC reference signals V_{ref} .

The ADC input range is selectable by firmware control:

- When an input range of 0–3.6V is used, the input impedance is 3 M Ω .
- When an input range of 0–2.4V is used, the input impedance is 1.84 M Ω .
- When an input range of 0–1.2V is used, the input impedance is 680 k Ω .

ADC modes are defined in [Table 1](#).

Table 1. ADC Modes

Mode	ENOB (Typical)	Maximum Sampling Rate (kHz)	Latency ^[1] (μ s)
0	13	5.859	171
1	12.6	11.7	85
2	12	46.875	21
3	11.5	93.75	11
4	10	187	5

Note

1. Settling time after switching channels.

1.7 Serial Peripheral Interface

The CYW20737 has two independent SPI interfaces. One is a master-only interface and the other can be either a master or a slave. Each interface has a 16-byte transmit buffer and a 16-byte receive buffer. To support more flexibility for user applications, the CYW20737 has optional I/O ports that can be configured individually and separately for each functional pin as shown in [Table 2](#), [Table 3](#), and [Table 4](#). The CYW20737 acts as an SPI master device that supports 1.8V or 3.3V SPI slaves. The CYW20737 can also act as an SPI slave device that supports a 1.8V or 3.3V SPI master.

Table 2. CYW20737 First SPI Set (Master Mode)

Pin Name	SPI_CLK	SPI_MOSI	SPI_MISO ^[2]	SPI_CS ^[3]
Configured Pin Name	SCL	SDA	–	–
	–	–	–	–
	–	–	P32	P33 ^[4]

Note

- 2. SPIFFY1 MISO should always be P32. Boot ROM does not configure any others.
- 3. Any GPIO can be used as SPI_CS when SPI 1 is in master mode, and when the SPI slave is not a serial flash.
- 4. P33 is always SPI_CS when a serial flash is used for non-volatile storage.

Table 3. CYW20737 Second SPI Set (Master Mode)

Pin Name	SPI_CLK	SPI_MOSI	SPI_MISO	SPI_CS ^[5]
Configured Pin Name	P3	P0	P1	–
	–	P4	P25	–
	P24	P27	–	–

Note

- 5. Any GPIO can be used as SPI_CS when SPI is in master mode.

Table 4. CYW20737 Second SPI Set (Slave Mode)

Pin Name	SPI_CLK	SPI_MOSI	SPI_MISO	SPI_CS
Configured Pin Name	P3	P0	P1	P2
	–	P27	–	–
	P24	P33	P25	P26
	–	–	–	P32

1.8 Microprocessor Unit

The CYW20737 microprocessor unit (μ PU) executes software from the link control (LC) layer up to the application layer components. The microprocessor is based on an ARM® Cortex™ M3, 32-bit RISC processor with embedded ICE-RT debug and JTAG interface units. The μ PU has 320 KB of ROM for program storage and boot-up, 60 KB of RAM for scratch-pad data, and patch RAM code. The SoC has a total storage of 380 KB, including RAM and ROM.

The internal boot ROM provides power-on reset flexibility, which enables the same device to be used in different HID applications with an external serial EEPROM or with an external serial flash memory. At power-up, the lowest layer of the protocol stack is executed from the internal ROM memory.

External patches may be applied to the ROM-based firmware to provide flexibility for bug fixes and feature additions. The device can also support the integration of user applications.

1.8.1 EEPROM Interface

The CYW20737 provides a Serial Control master interface. Serial Control is programmed by the CPU to generate four types of bus transfers: read-only, write-only, combined read/write, and combined write/read. Serial Control supports both low-speed and fast mode devices. Serial Control is compatible with an NXP® I²C slave device, except that master arbitration (multiple I²C masters contending for the bus) is not supported.

The EEPROM can contain customer application configuration information including application code, configuration data, patches, pairing information, BD_ADDR, baud rate, SDP service record, and file system information used for code.

Native support for the Microchip® 24LC128, Microchip 24AA128, and ST Micro® M24128-BR is included.

1.8.2 Serial Flash Interface

The CYW20737 includes an SPI master controller that can be used to access serial flash memory. The SPI master contains an AHB slave interface, transmit and receive FIFOs, and the SPI core PHY logic.

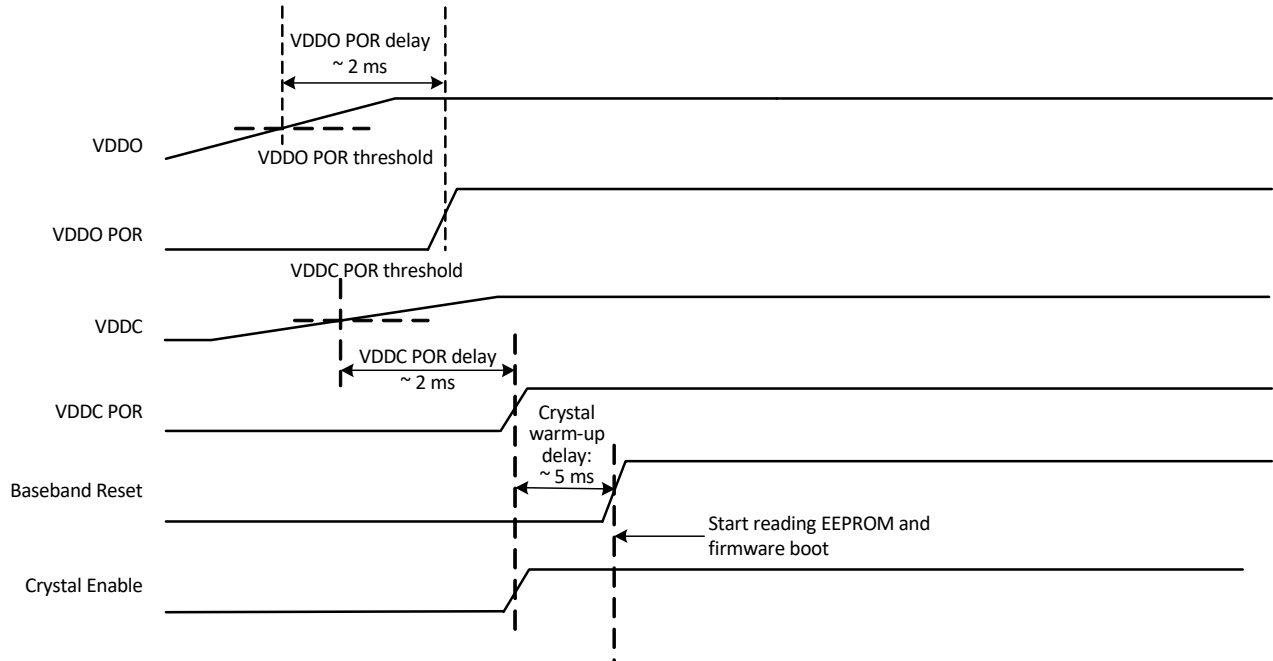
Devices natively supported include the following:

- Atmel® AT25BCM512B
- MXIC® MX25V512ZUI-20G

Other (larger) serial flash parts from MXIC, Numonyx, and Adesto with commands identical to these parts here are also supported.

1.8.3 Internal Reset

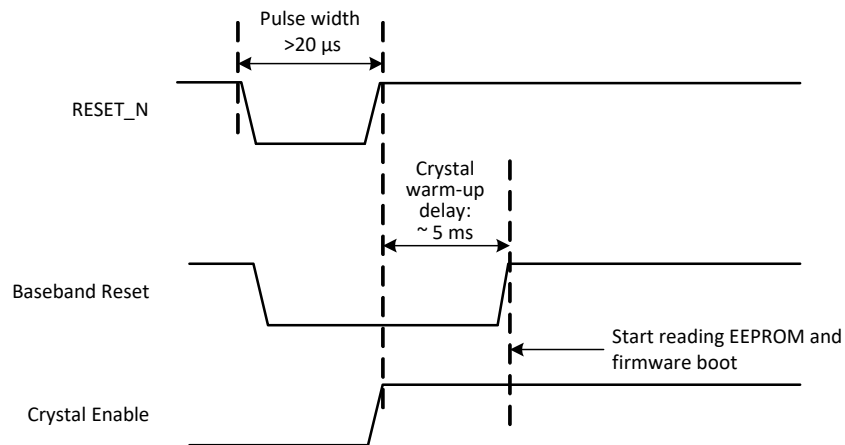
Figure 3. Internal Reset Timing



1.8.4 External Reset

The CYW20737 has an integrated power-on reset circuit that completely resets all circuits to a known power-on state. An external active low reset signal, RESET_N, can be used to put the CYW20737 in the reset state. The RESET_N pin has an internal pull-up resistor and, in most applications, it does not require that anything be connected to it. RESET_N should only be released after the VDDO supply voltage level has been stabilized.

Figure 4. External Reset Timing



1.9 Integrated Radio Transceiver

The CYW20737 has an integrated radio transceiver that is optimized for 2.4 GHz Bluetooth wireless systems. It has been designed to provide low power, low cost, and robust communications for applications operating in the globally available 2.4 GHz unlicensed ISM band. It is fully compliant with Bluetooth Radio Specification 4.1 and meets or exceeds the requirements to provide the highest communication link quality of service.

1.9.1 Transmitter Path

The CYW20737 features a fully integrated transmitter. The baseband transmit data is GFSK modulated in the 2.4 GHz ISM band.

Digital Modulator

The digital modulator performs the data modulation and filtering required for the GFSK signal. The fully digital modulator minimizes any frequency drift or anomalies in the modulation characteristics of the transmitted signal.

Power Amplifier

The CYW20737 has an integrated power amplifier (PA) that can transmit up to +4 dBm for class 2 operation.

1.9.2 Receiver Path

The receiver path uses a low IF scheme to downconvert the received signal for demodulation in the digital demodulator and bit synchronizer. The receiver path provides a high degree of linearity, an extended dynamic range, and high-order, on-chip channel filtering to ensure reliable operation in the noisy 2.4 GHz ISM band. The front-end topology, which has built-in out-of-band attenuation, enables the CYW20737 to be used in most applications without off-chip filtering.

Digital Demodulator and Bit Synchronizer

The digital demodulator and bit synchronizer take the low-IF received signal and perform an optimal frequency tracking and bit synchronization algorithm.

Receiver Signal Strength Indicator

The radio portion of the CYW20737 provides a receiver signal strength indicator (RSSI) to the baseband. This enables the controller to take part in a Bluetooth power-controlled link by providing a metric of its own receiver signal strength to determine whether the transmitter should increase or decrease its output power.

1.9.3 Local Oscillator

The local oscillator (LO) provides fast frequency hopping (1600 hops/second) across the 79 maximum available channels. The CYW20737 uses an internal loop filter.

1.9.4 Calibration

The CYW20737 radio transceiver features a self-contained automated calibration scheme. No user interaction is required during normal operation or during manufacturing to provide optimal performance. Calibration compensates for filter, matching network, and amplifier gain and phase characteristics to yield radio performance within 2% of what is optimal. Calibration takes process and temperature variations into account, and it takes place transparently during normal operation and hop setting times.

1.9.5 Internal LDO Regulator

The CYW20737 has an integrated 1.2V LDO regulator that provides power to the digital and RF circuits. The 1.2V LDO regulator operates from a 1.425V to 3.63V input supply with a 30 mA maximum load current.

Note: Always place the decoupling capacitors near the pins as closely together as possible.

1.10 Peripheral Transport Unit

1.10.1 Serial Communications Interface

The CYW20737 provides a 2-pin master Serial Control interface, which can be used to retrieve configuration information from an external EEPROM or to communicate with peripherals such as track-ball or touch-pad modules, and motion tracking ICs used in mouse devices. The Serial Control interface is compatible with I²C slave devices. The Serial Control does not support multimaster capability or flexible wait-state insertion by either master or slave devices.

The following transfer clock rates are supported by the Serial Control:

- 100 kHz
- 400 kHz
- 800 kHz (not a standard I²C-compatible speed.)
- 1 MHz (Compatibility with high-speed I²C-compatible devices is not guaranteed.)

The following transfer types are supported by the Serial Control:

- Read (Up to 16 bytes can be read.)
- Write (Up to 16 bytes can be written.)
- Read-then-Write (Up to 16 bytes can be read and up to 16 bytes can be written.)
- Write-then-Read (Up to 16 bytes can be written and up to 16 bytes can be read.)

Hardware controls the transfers, requiring minimal firmware setup and supervision.

The clock pin (SCL) and data pin (SDA) are both open-drain I/O pins. Pull-up resistors external to the CYW20737 are required on both the SCL and SDA pins for proper operation.

1.10.2 UART Interface

The UART is a standard 2-wire interface (RX and TX) and has adjustable baud rates from 9600 bps to 1.5 kbps. The baud rate can be selected via a vendor-specific UART HCI command. The interface supports the Bluetooth 3.0 UART HCI (H4) specification. The default baud rate for H4 is 115.2 kbaud.

Both high and low baud rates can be supported by running the UART clock at 24 MHz.

The CYW20737 UART operates correctly with the host UART as long as the combined baud rate error of the two devices is within ±5%.

1.11 Clock Frequencies

The CYW20737 is set with crystal frequency of 24 MHz.

1.11.1 Crystal Oscillator

The crystal oscillator requires a crystal with an accuracy of ±20 ppm as defined by the Bluetooth specification. Two external load capacitors in the range of 5 pF to 30 pF (see Figure 5) are required to work with the crystal oscillator. The selection of the load capacitors is crystal-dependent. Table 5 shows the recommended crystal specifications.

Figure 5. Recommended Oscillator Configuration—12 pF Load Crystal

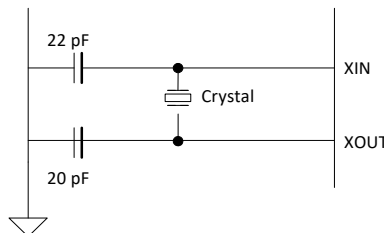


Table 5 shows the recommended crystal specifications.

Table 5. Reference Crystal Electrical Specifications

Parameter	Conditions	Minimum	Typical	Maximum	Unit
Nominal frequency	–	–	24.000	–	MHz
Oscillation mode	–	Fundamental			–
Frequency tolerance	@25°C	–	±10	–	ppm
Tolerance stability over temp	@0°C to +70°C	–	±10	–	ppm
Equivalent series resistance	–	–	–	50	Ω
Load capacitance	–	–	12	–	pF
Operating temperature range	–	0	–	+70	°C
Storage temperature range	–	–40	–	+125	°C
Drive level	–	–	–	200	μW
Aging	–	–	–	±10	ppm/year
Shunt capacitance	–	–	–	2	pF

Peripheral Block

The peripheral blocks of the CYW20737 all run from a single 128 kHz low-power RC oscillator. The oscillator can be turned on at the request of any of the peripherals. If the peripheral is not enabled, it shall not assert its clock request line.

The keyboard scanner is a special case, in that it may drop its clock request line even when enabled, and then reassert the clock request line if a keypress is detected.

32 kHz Crystal Oscillator

Figure 6 shows the 32 kHz crystal (XTAL) oscillator with external components and Table 6 lists the oscillator’s characteristics. It is a standard Pierce oscillator using a comparator with hysteresis on the output to create a single-ended digital output. The hysteresis was added to eliminate any chatter when the input is around the threshold of the comparator and is ~100 mV. This circuit can be operated with a 32 kHz or 32.768 kHz crystal oscillator or be driven with a clock input at similar frequency. The default component values are: R1 = 10 MΩ, C1 = C2 = ~10 pF. The values of C1 and C2 are used to fine-tune the oscillator.

Figure 6. 32 kHz Oscillator Block Diagram

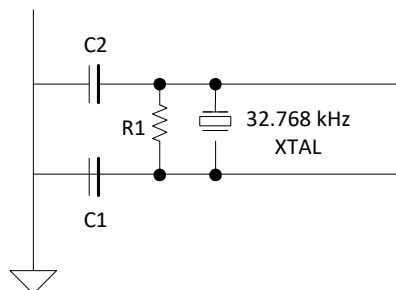


Table 6. XTAL Oscillator Characteristics

Parameter	Symbol	Conditions	Minimum	Typical	Maximum	Unit
Output frequency	F_{oscout}	–	–	32.768	–	kHz
Frequency tolerance	–	Crystal dependent	–	100	–	ppm
Start-up time	T_{startup}	–	–	–	500	ms
XTAL drive level	P_{drv}	For crystal selection	0.5	–	–	μW
XTAL series resistance	R_{series}	For crystal selection	–	–	70	k Ω
XTAL shunt capacitance	C_{shunt}	For crystal selection	–	–	1.3	pF

1.12 GPIO Port

The CYW20737 has 14 general-purpose I/Os (GPIOs) in the 32-pin package. All GPIOs support programmable pull-up and pull-down resistors, and all support a 2 mA drive strength except P26, P27, and P28, which provide a 16 mA drive strength at 3.3V supply.

The following GPIOs are available:

- P0–P4
- P8/P33 (Dual bonded, only one of two is available.)
- P11/P27 (Dual bonded, only one of two is available.)
- P12/P26 (Dual bonded, only one of two is available.)
- P13/P28 (Dual bonded, only one of two is available.)
- P14/P38 (Dual bonded, only one of two is available.)
- P15
- P24
- P25
- P32

For a description of all GPIOs, see [Table 8. “GPIO Pin Descriptions\[6\]”](#).

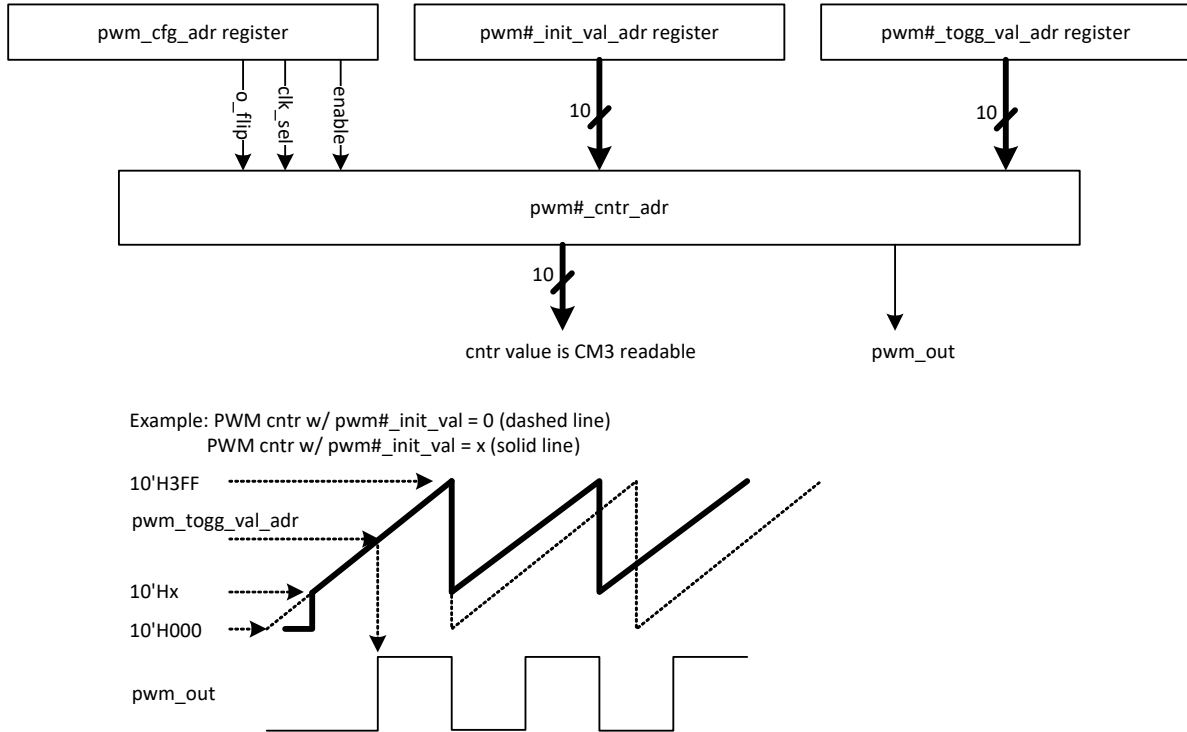
1.13 PWM

The CYW20737 has four internal PWM channels. The PWM module is described as follows:

- PWM0–3
- The following GPIOs can be mapped as PWMs:
 - P26
 - P27
 - P14/P28 (Dual bonded, only one of two is available.)
 - P13
- Each of the PWM channels, PWM0–3, contains the following registers:
 - 10-bit initial value register (read/write)
 - 10-bit toggle register (read/write)
 - 10-bit PWM counter value register (read)
- The PWM configuration register is shared among PWM0–3 (read/write). This 12-bit register is used:
 - To configure each PWM channel.
 - To select the clock of each PWM channel.
 - To change the phase of each PWM channel.

Figure 7 shows the structure of one PWM channel.

Figure 7. PWM Channel Block Diagram



1.14 Power Management Unit

The Power Management Unit (PMU) provides power management features that can be invoked by software through power management registers or packet-handling in the baseband core.

1.14.1 RF Power Management

The BBC generates power-down control signals for the transmit path, receive path, PLL, and power amplifier to the 2.4 GHz transceiver, which then processes the power-down functions accordingly.

1.14.2 Host Controller Power Management

Power is automatically managed by the firmware based on input device activity. As a power-saving task, the firmware controls the disabling of the on-chip regulator when in deep sleep mode.

1.14.3 BBC Power Management

There are several low-power operations for the BBC:

- Physical layer packet handling turns RF on and off dynamically within packet TX and RX.
- Bluetooth-specified low-power connection mode. While in these low-power connection modes, the CYW20737 runs on the Low Power Oscillator and wakes up after a predefined time period.

The CYW20737 automatically adjusts its power dissipation based on user activity. The following power modes are supported:

- Active mode
- Idle mode
- Sleep mode
- HIDOFF (Deep Sleep) mode
- Timed Deep Sleep mode

The CYW20737 transitions to the next lower state after a programmable period of user inactivity. Busy mode is immediately entered when user activity resumes.

In HIDOFF (Deep Sleep) mode, the CYW20737 baseband and core are powered off by disabling power to LDOOUT. The VDDO domain remains powered up and will turn the remainder of the chip on when it detects user events. This mode minimizes chip power consumption and is intended for long periods of inactivity.

2. Pin Assignments

2.1 Pin Descriptions

Table 7. Pin Descriptions

Pin Number	Pin Name	I/O	Power Domain	Description
Radio I/O				
6	RF	I/O	VDD_RF	RF antenna port
RF Power Supplies				
4	VDDIF	I	VDD_RF	IFPLL power supply
5	VDDFE	I	VDD_RF	RF front-end supply
7	VDDVCO	I	VDD_RF	VCO, LOGEN supply
8	VDDPLL	I	VDD_RF	RFPLL and crystal oscillator supply
Power Supplies				
11	VDDC	I	VDDC	Baseband core supply
28	VDDO	I	VDDO	I/O pad and core supply
14	VDDM	I	VDDM	I/O pad supply
Clock Generator and Crystal Interface				
9	XTALI	I	VDD_RF	Crystal oscillator input. See page 12 for options.
10	XTALO	O	VDD_RF	Crystal oscillator output.
1	XTALI32K	I	VDDO	Low-power oscillator (LPO) input is used. Alternative Function: ■ P11 ■ P27
32	XTALO32K	O	VDDO	Low-power oscillator (LPO) output. Alternative Function: ■ P12 ■ P26
Core				
18	RESET_N	I/O PU	VDDO	Active-low system reset with open-drain output & internal pull-up resistor
17	TMC	I	VDDO	Test mode control High: test mode Connect to GND if not used.
UART				
12	UART_RXD	I	VDDM	UART serial input – Serial data input for the HCI UART interface. Leave unconnected if not used. Alternative function: ■ GPIO3
13	UART_TXD	O, PU	VDDM	UART serial output – Serial data output for the HCI UART interface. Leave unconnected if not used. Alternative Function: ■ GPIO2

Table 7. Pin Descriptions (Cont.)

Pin Number	Pin Name	I/O	Power Domain	Description
Serial Control				
15	SDA	I/O, PU	VDDM	Data signal for an external I ² C device. Alternative function: <ul style="list-style-type: none"> ■ SPI_1: MOSI (master only) ■ GPIO0 ■ CTS
16	SCL	I/O, PU	VDDM	Clock signal for an external I ² C device. Alternative function: <ul style="list-style-type: none"> ■ SPI_1: SPI_CLK (master only) ■ GPIO1 ■ RTS
LDO Regulator Power Supplies				
2	LDOIN	I	N/A	Battery input supply for the LDO
3	LDOOUT	O	N/A	LDO output

Table 8. GPIO Pin Descriptions^[6]

Pin Number	Pin Name	Default Direction	After POR State	Power Domain	Alternate Functions
19	P0	Input	Input floating	VDDO	<ul style="list-style-type: none"> ■ GPIO: P0 ■ PUART_TX (peripheral UART) ■ SPI_2: MOSI (master and slave) ■ ADC_IN29 (A/D converter input) ■ IR_RX/60 Hz_main ■ Not available during TMC=1
20	P1	Input	Input floating	VDDO	<ul style="list-style-type: none"> ■ GPIO: P1 ■ IR_TX ■ PUART_RTS (peripheral UART) ■ SPI_2: MISO (master and slave) ■ ADC_IN28 (A/D converter input)
21	P3	Input	Input floating	VDDO	<ul style="list-style-type: none"> ■ GPIO: P3 ■ SPI_2: SPI_CLK (master and slave) ■ Quadrature X1 ■ PUART_CTS (peripheral UART)
22	P2	Input	Input floating	VDDO	<ul style="list-style-type: none"> ■ GPIO: P2 ■ SPI_2: SPI_MOSI (master only) ■ Quadrature X0 ■ PUART_RX (peripheral UART) ■ SPI_2: SPI_CS (slave)
23	P4	Input	Input floating	VDDO	<ul style="list-style-type: none"> ■ GPIO: P4 ■ IR_TX ■ SPI_2: MOSI (master and slave) ■ Quadrature Y0 ■ PUART_RX (peripheral UART)

Note

6. During power-on reset, all inputs are disabled.

Table 8. GPIO Pin Descriptions^[6]

Pin Number	Pin Name	Default Direction	After POR State	Power Domain	Alternate Functions
24	P8	Input	Input floating	VDDO	<ul style="list-style-type: none"> ■ GPIO: P8 ■ ~TX_PD (external T/R switch control) ■ ADC_IN27 (A/D converter input)
	P33	Input	Input floating	VDDO	<ul style="list-style-type: none"> ■ GPIO: P33 ■ ACLK1 (auxiliary clock output) ■ SPI_2: MOSI (slave) ■ ADC_IN6 (A/D converter input) ■ QDX1 (quadrature X1) ■ PUART_RX (peripheral UART)
	P9				<ul style="list-style-type: none"> ■ GPIO: P9 ■ TX_PD ■ ADC_IN26
	P10				<ul style="list-style-type: none"> ■ GPIO: P10 ■ PA_RAMP (power amplifier ramp) ■ ADC_IN25 (A/D converter input)
1	P11	Input	Input floating	VDDO	<ul style="list-style-type: none"> ■ GPIO: P11 ■ ADC_IN24 (A/D converter input) ■ XTALI32K
	P27	Input	Input floating	VDDO	<ul style="list-style-type: none"> ■ GPIO: P27 ■ QOC1 (quadrature output control) ■ SPI_2: MOSI (master and slave) ■ PWM1 ■ Current: 16 mA
32	P12	Input	Input floating	VDDO	<ul style="list-style-type: none"> ■ GPIO: P12 ■ ADC_IN23 (A/D converter input) ■ XTALO32K
	P26	Input	Input floating	VDDO	<ul style="list-style-type: none"> ■ GPIO: P26 ■ QOC0 (quadrature output control) ■ SPI_2: SPI_CS (slave) ■ SPI_1: MISO (master) ■ PWM0 ■ Current: 16 mA
29	P13	Input	Input floating	VDDO	<ul style="list-style-type: none"> ■ GPIO: P13 ■ PWM3 ■ ADC_IN22 (A/D converter input)
	P28	Input	Input floating	VDDO	<ul style="list-style-type: none"> ■ GPIO: P28 ■ QOC2 (quadrature output control) ■ ADC_IN11 (A/D converter input) ■ PWM2 ■ LED1 ■ IR_TX ■ Current: 16 mA

Note

6. During power-on reset, all inputs are disabled.

Table 8. GPIO Pin Descriptions^[6]

Pin Number	Pin Name	Default Direction	After POR State	Power Domain	Alternate Functions
30	P14	Input	Input floating	VDDO	<ul style="list-style-type: none"> ■ GPIO: P14 ■ PWM2 ■ ADC_IN21 (A/D converter input)
	P38	Input	Input floating	VDDO	<ul style="list-style-type: none"> ■ GPIO: P38 ■ IR_TX ■ SPI_2: MOSI (master and slave) ■ ADC_IN1 (A/D converter input)
31	P15	Input	Input floating	VDDO	<ul style="list-style-type: none"> ■ GPIO: P15 ■ SWDIO ■ IR_RX/60 Hz_main ■ ADC_IN20 (A/D converter input)
27	P24	Input	Input floating	VDDO	<ul style="list-style-type: none"> ■ GPIO: P24 ■ PUART_TX (peripheral UART) ■ SPI_2: SPI_CLK (master and slave) ■ SPI_1: MISO (master)
26	P25	Input	Input floating	VDDO	<ul style="list-style-type: none"> ■ GPIO: P25 ■ SPI_2: MISO (master and slave) ■ PUART_RX (peripheral UART)
25	P32	Input	Input floating	VDDO	<ul style="list-style-type: none"> ■ GPIO: P32 ■ ACLK0 (auxiliary clock output) ■ PUART_TX (peripheral UART) ■ SPI_2: SPI_CS (slave) ■ ADC_IN7 (A/D converter input) ■ SPI_1: MISO (master)

Note

6. During power-on reset, all inputs are disabled.

2.2 GPIO Pin Multiplexing

Table 9 provides GPIO pin multiplexing information.

Table 9. GPIO Pin Multiplexing

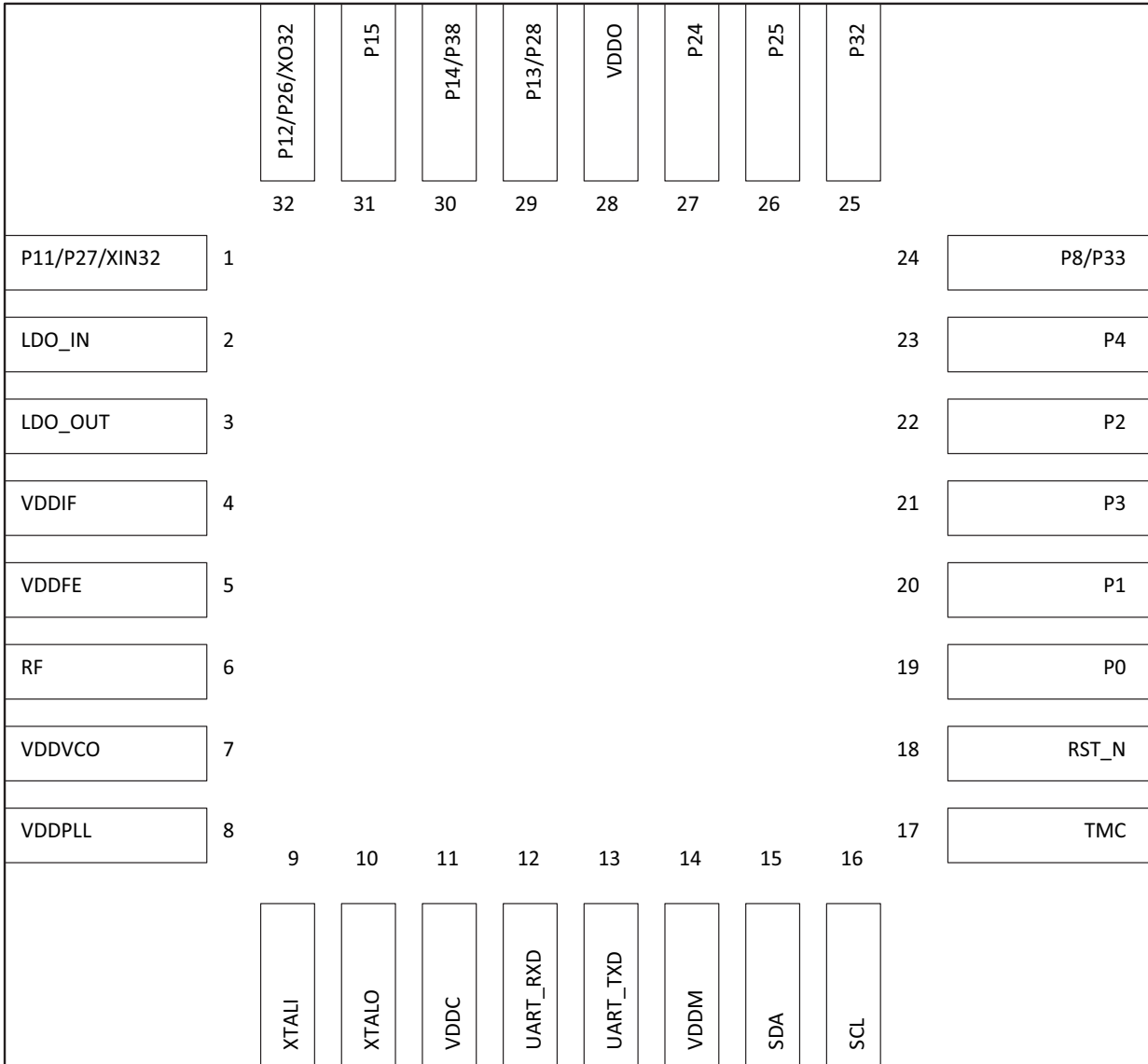
GPIO Pin	Alternate Functions						
	1	2	3	4	5	6	7
	Input/ Output	Outputs		Inputs			
P0	–	PUART_TX	SPI_2: MOSI(master)	–	ADC_IN29	IR_RX/60 Hz_main	SPI_2: MOSI (slave)
P1	IR_TX	PUART_RTS	SPI_2: MISO (slave)	–	ADC_IN28	–	SPI_2: MISO (master)
P2	–	SPI_2: MOSI(master)	–	–	QDX0	PUART_RX	SPI_2: SPI_CS (slave)
P3	–	–	SPI_2: SPI_CLK (master)	–	QDX1	PUART_CTS	SPI_2: SPI_CLK (slave)
P4	IR_TX	–	SPI_2: MOSI (master)	–	QDY0	PUART_RX	SPI_2: MOSI (slave)
P8/ P33 ^[7]	– ACLK1	~TX_PD –	–	– SPI_2: MOSI (slave)	ADC_IN27 ADC_IN6	– QDX1	– PUART_RX
P9	–	TX_PD	–	–	ADC_IN26	–	–
P10/ P11/ P27/ xtal32i ^[8]	– – –	PA_RAMP – QOC1	– – SPI_2: MOSI (master)	– – SPI_2: MOSI (slave)	ADC_IN25 ADC_IN24 –	– – –	– – –
P12/ P26 ^[9]	– –	– QOC0	–	– SPI_2: SPI_CS (slave)	ADC_IN23 SPI_1: MISO (master)	–	–
P13/ P28 ^[10]	– –	PWM3 QOC2	–	–	ADC_IN22 ADC_IN11	–	–
P14/ P38	– IR_TX	PWM2 –	– SPI_2: MOSI (master)	– SPI_2: MOSI (slave)	ADC_IN21 ADC_IN1	–	–
P15	–	SWDIO	–	IR_RX/ 60 Hz_main	ADC_IN20	SWDIO	–
P24	–	PUART_TX	–	SPI_2: SPI_CLK (slave)	SPI_1: MISO	–	–
P25	–	SPI_2: MISO (slave)	–	PUART_RX	SPI_2: MISO (master)	–	–
P32	ACLK0	PUART_TX	–	SPI_2: SPI_CS (slave)	ADC_IN7	QDX0	SPI_1: MISO

Notes

- 7. If dual-bonded, then use one of P8 or P33.
- 8. If quad-bonded, then use only one of P10, P11, or P27. P27 can source/sink 16 mA.
- 9. If dual-bonded, then use one of P12 or P26. P27 can source/sink 16 mA
- 10. If dual-bonded, use one of P13 or P28. P28 can source/sink 16 mA.

2.3 Ball Maps

Figure 8. 32-pin QFN Ball Map



3. Specifications

3.1 Electrical Characteristics

Table 10 shows the maximum electrical rating for voltages referenced to VDD pin.

Table 10. Maximum Electrical Rating

Rating	Symbol	Value	Unit
DC supply voltage for RF domain	–	1.4	V
DC supply voltage for core domain	–	1.4	V
DC supply voltage for VDDM domain (UART/I ² C)	–	3.8	V
DC supply voltage for VDDO domain	–	3.8	V
DC supply voltage for VR3V	–	3.8	V
DC supply voltage for VDDFE	–	1.4	V
Voltage on input or output pin	–	V _{SS} – 0.3 to V _{DD} + 0.3	V
Operating ambient temperature range	Topr	–30 to +85	°C
Storage temperature range	Tstg	–40 to +125	°C

Table 11 shows the power supply characteristics for the range T_J = 0 to 125°C.

Table 11. Power Supply

Parameter	Minimum ^[11]	Typical	Maximum ^[11]	Unit
DC supply voltage for RF	1.14	1.2	1.26	V
DC supply voltage for Core	1.14	1.2	1.26	V
DC supply voltage for VDDM (UART/I ² C)	1.62	–	3.63	V
DC supply voltage for VDDO	1.62	–	3.63	V
DC supply voltage for LDOIN	1.425	–	3.63	V
DC supply voltage for VDDFE	1.14	1.2 ^[12]	1.26	V

Notes

- 11. Overall performance degrades beyond minimum and maximum supply voltages.
- 12. 1.2V for Class 2 output with internal VREG.

Table 12 shows the digital level characteristics for (VSS = 0V).

Table 12. LDO Regulator Electrical Specifications

Parameter	Conditions	Min	Typ	Max	Unit
Input voltage range	–	1.425	–	3.63	V
Default output voltage	–	–	1.2	–	V
Output voltage	Range	0.8	–	1.4	V
	Step size	–	40 or 80	–	mV
	Accuracy at any step	–5	–	+5	%
Load current	–	–	–	30	mA
Line regulation	V _{in} from 1.425 to 3.63V, I _{load} = 30 mA	–0.2	–	0.2	%V _O /V
Load regulation	I _{load} from 1 μA to 30 mA, V _{in} = 3.3V, Bonding R = 0.3Ω	–	0.1	0.2	%V _O /mA
Quiescent current	No load @V _{in} = 3.3V *Current limit enabled	–	6	–	μA
Power-down current	V _{in} = 3.3V, worst@70°C	–	5	200	nA

Table 13 shows the specifications for the ADC characteristics.

Table 13. ADC Specifications

Parameter	Symbol	Conditions	Min	Typ	Max	Unit
Number of Input channels	–	–	–	9	–	–
Channel switching rate	f_{ch}	–	–	–	133.33	kch/s
Input signal range	V_{inp}	–	0	–	3.63	V
Reference settling time	–	Changing refsel	7.5	–	–	μ s
Input resistance	R_{inp}	Effective, single ended	–	500	–	k Ω
Input capacitance	C_{inp}	–	–	–	5	pF
Conversion rate	f_C	–	5.859	–	187	kHz
Conversion time	T_C	–	5.35	–	170.7	μ s
Resolution	R	–	–	16	–	bits
Effective number of bits	–	In specified performance range	–	See Table 1	–	
Absolute voltage measurement error	–	Using on-chip ADC firmware driver	–	± 2	–	%
Current	I	$I_{avdd1p2} + I_{avdd3p3}$	–	–	1	mA
Power	P	–	–	1.5	–	mW
Leakage current	$I_{leakage}$	T = 25°C	–	–	100	nA
Power-up time	$T_{powerup}$	–	–	–	200	μ s
Integral nonlinearity	INL	In guaranteed performance range	–1	–	1	LSB ^[13]
Differential nonlinearity ^[13]	DNL	In guaranteed performance range	–1	–	1	LSB ^[13]

Note

13. LSBs are expressed at the 10-bit level.

Table 14 shows the specifications for the digital voltage levels.

Table 14. Digital Levels^[14]

Characteristics	Symbol	Min	Typ	Max	Unit
Input low voltage	V_{IL}	–	–	0.4	V
Input high voltage	V_{IH}	$0.75 \times V_{DDO}$	–	–	V
Input low voltage (VDDO = 1.62V)	V_{IL}	–	–	0.4	V
Input high voltage (VDDO = 1.62V)	V_{IH}	1.2	–	–	V
Output low voltage ^[15]	V_{OL}	–	–	0.4	V
Output high voltage ^[15]	V_{OH}	$V_{DDO} - 0.4$	–	–	V
Input capacitance (VDDMEM domain)	C_{IN}	–	0.12	–	pF

Notes

14. This table is also applicable to VDDMEM domain.

15. At the specified drive current for the pad.

Table 15 shows the specifications for current consumption.

Table 15. Current Consumption ^[16]

Operational Mode	Conditions	Typ	Max	Unit
Receive	Receiver and baseband are both operating, 100% ON.	9.8	10.0	mA
Transmit	Transmitter and baseband are both operating, 100% ON.	9.1	9.3	mA
Sleep	Internal LPO is in use.	12.0	13.0	μA
	–	0.65	–	

Note

16. Currents measured between power terminals (Vdd) using 90% efficient DC-DC converter at 3V.

Table 16. Power Supply Current Consumption

Power Supply	Advertisement Rates	Typ	Max	Unit
VDDC	20 ms	1.96		mA
	100 ms			
	500 ms			
	1 s			

3.2 RF Specifications

Table 17. Receiver RF Specifications

Parameter	Mode and Conditions	Min	Typ	Max	Unit
Receiver Section^[17]					
Frequency range	–	2402	–	2480	MHz
RX sensitivity (standard)	0.1%BER, 1 Mbps	–	–94	–	dBm
RX sensitivity (low current)		–	–91.5	–	dBm
Input IP3	–	–16	–	–	dBm
Maximum input	–	–10	–	–	dBm
Interference Performance^{[17],[18]}					
C/I cochannel	0.1%BER	–	–	21	dB
C/I 1 MHz adjacent channel	0.1%BER	–	–	15	dB
C/I 2 MHz adjacent channel	0.1%BER	–	–	–17	dB
C/I ≥ 3 MHz adjacent channel	0.1%BER	–	–	–27	dB
C/I image channel	0.1%BER	–	–	–9.0	dB
C/I 1 MHz adjacent to image channel	0.1%BER	–	–	–15	dB
Out-of-Band Blocking Performance (CW)^{[17],[18]}					
30 MHz to 2000 MHz	0.1%BER ^[19]	–	–30.0	–	dBm
2003 MHz to 2399 MHz	0.1%BER ^[20]	–	–35	–	dBm
2484 MHz to 2997 MHz	0.1%BER ^[20]	–	–35	–	dBm
3000 MHz to 12.75 GHz	0.1%BER ^[21]	–	–30.0	–	dBm
Spurious Emissions					
30 MHz to 1 GHz	–	–	–	–57.0	dBm
1 GHz to 12.75 GHz	–	–	–	–55.0	dBm

Notes

- 17. 30.8% PER
- 18. Desired signal is 3 dB above the reference sensitivity level (defined as –70 dBm)
- 19. Measurement resolution is 10 MHz.
- 20. Measurement resolution is 3 MHz.
- 21. Measurement resolution is 25 MHz.

Table 18. Transmitter RF Specifications

Parameter	Minimum	Typical	Maximum	Unit
Transmitter Section				
Frequency range	2402	–	2480	MHz
Output power adjustment range	–20	–	4	dBm
Default output power	–	4.0	–	dBm
Output power variation	–	2.0	–	dB
Adjacent Channel Power				
$ M - N = 2$	–	–	–20	dBm
$ M - N \geq 3$	–	–	–30	dBm
Out-of-Band Spurious Emission				
30 MHz to 1 GHz	–	–	–36.0	dBm
1 GHz to 12.75 GHz	–	–	–30.0	dBm
1.8 GHz to 1.9 GHz	–	–	–47.0	dBm
5.15 GHz to 5.3 GHz	–	–	–47.0	dBm
LO Performance				
Initial carrier frequency tolerance	–	–	±150	kHz
Frequency Drift				
Frequency drift	–	–	±50	kHz
Drift rate	–	–	20	kHz/50 μ s
Frequency Deviation				
Average deviation in payload (sequence used is 00001111)	225	–	275	kHz
Maximum deviation in payload (sequence used is 10101010)	185	–	–	kHz
Channel spacing	–	2	–	MHz

3.3 Timing and AC Characteristics

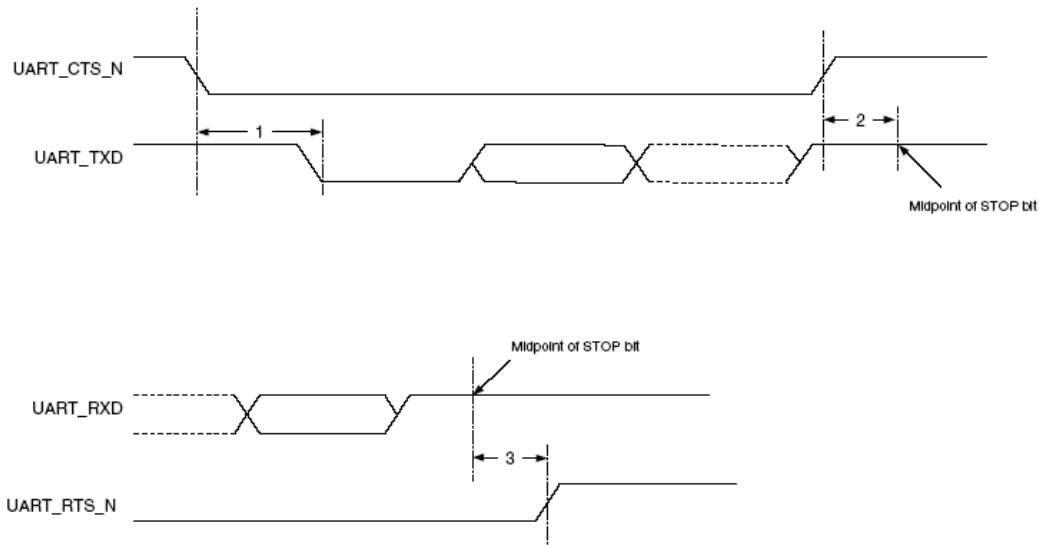
In this section, use the numbers listed in the **Reference** column of each table to interpret the following timing diagrams.

3.3.1 UART Timing

Table 19. UART Timing Specifications

Reference	Characteristics	Min	Max	Unit
1	Delay time, UART_CTS_N low to UART_TXD valid	–	24	Baud out cycles
2	Setup time, UART_CTS_N high before midpoint of stop bit	–	10	ns
3	Delay time, midpoint of stop bit to UART_RTS_N high	–	2	Baud out cycles

Figure 9. UART Timing



3.3.2 SPI Timing

The SPI interface supports clock speeds up to 12 MHz with VDDIO ≥ 2.2V. The supported clock speed is 6 MHz when 2.2V > VDDIO ≥ 1.62V.

Figure 10 and Figure 11 show the timing requirements when operating in SPI Mode 0 and 2, and SPI Mode 1 and 3, respectively.

Table 20. SPI Interface Timing Specifications

Reference	Characteristics	Min	Typ	Max
1	Time from CSN asserted to first clock edge	1 SCK	100	∞
2	Master setup time	–	½ SCK	–
3	Master hold time	½ SCK	–	–
4	Slave setup time	–	½ SCK	–
5	Slave hold time	½ SCK	–	–
6	Time from last clock edge to CSN deasserted	1 SCK	10 SCK	100

Figure 10. SPI Timing – Mode 0 and 2

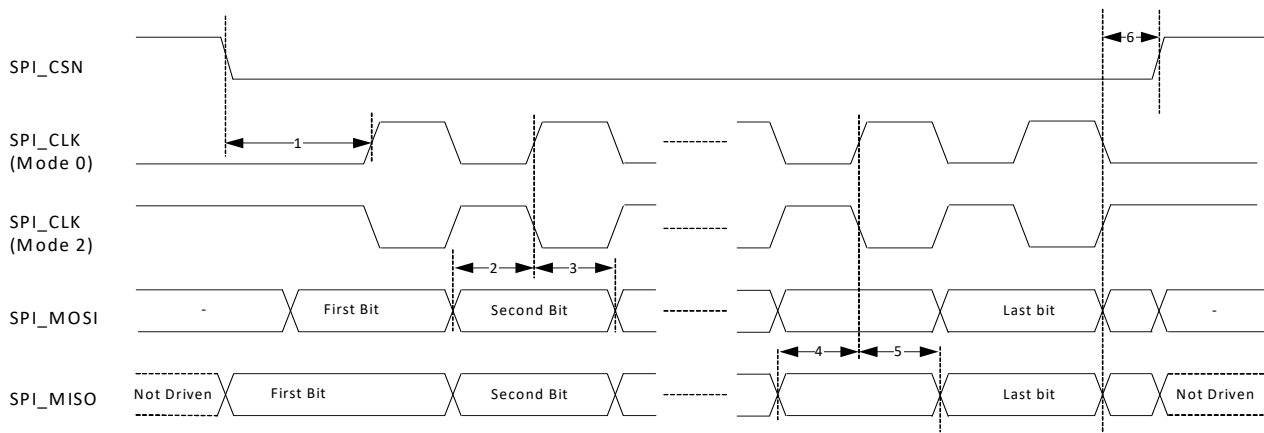
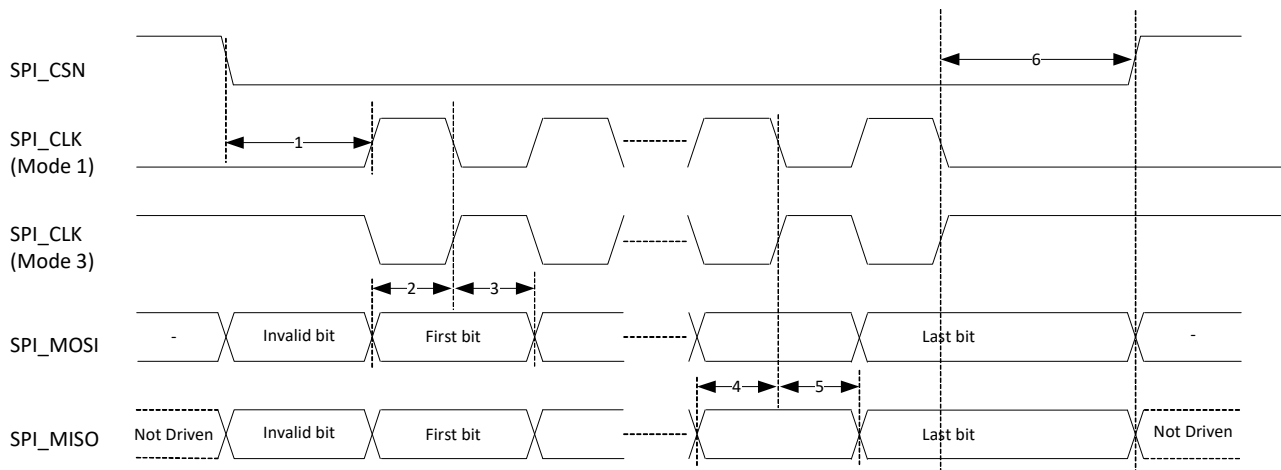


Figure 11. SPI Timing – Mode 1 and 3



3.3.3 Serial Control Interface Timing

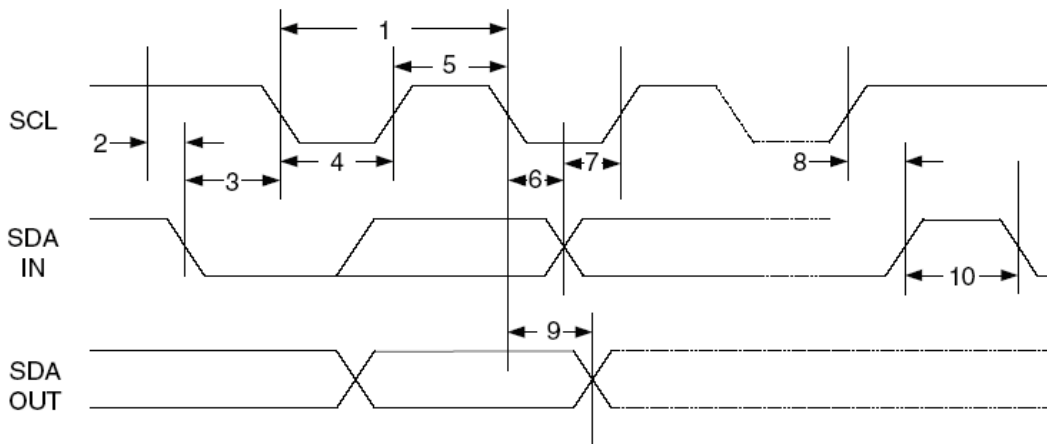
Table 21. Serial Control Interface Timing Specifications

Reference	Characteristics	Min	Max	Unit
1	Clock frequency	–	100 400 800 1000	kHz
2	START condition setup time	650	–	ns
3	START condition hold time	280	–	ns
4	Clock low time	650	–	ns
5	Clock high time	280	–	ns
6	Data input hold time ^[22]	0	–	ns
7	Data input setup time	100	–	ns
8	STOP condition setup time	280	–	ns
9	Output valid from clock	–	400	ns
10	Bus free time ^[23]	650	–	ns

Notes

- 22. As a transmitter, 300 ns of delay is provided to bridge the undefined region of the falling edge of SCL to avoid unintended generation of START or STOP conditions.
- 23. Time that the cbus must be free before a new transaction can start.

Figure 12. Serial Control Interface Timing Diagram



3.4 ESD Test Models

ESD can have serious detrimental effects on all semiconductor ICs and the system that contains them. Standards are developed to enhance the quality and reliability of ICs by ensuring all devices employed have undergone proper ESD design and testing, thereby minimizing the detrimental effects of ESD. Three major test methods are widely used in the industry today to describe uniform methods for assessing ESD immunity at Component level, Human Body Model (HBM), Machine Model (MM), and Charged Device Model (CDM). The following standards were used to test this device:

3.4.1 Human-Body Model (HBM) – ANSI/ESDA/JEDEC JS-001-2012

The HBM has been developed to simulate the action of a human body discharging an accumulated static charge through a device to ground, and employs a series RC network consisting of a 100 pF capacitor and a 1500Ω (Ohm) resistor. Both positive and negative polarities are used for this test. Although, a 100 ms delay is allowable per specification, the minimum delay used for testing was set to 300 ms between each pulse.

3.4.2 Machine Model (MM) – JEDEC JESD22-A115C

The MM has been developed to simulate the rapid discharge from a charged conductive object, such as a metallic tool or fixture. The most common application would be rapid discharge from charged board assembly or the charged cables of automated testers. This model consists of a 200 pF capacitor discharged directly into a component with no series resistor (0Ω). One positive and one negative polarity pulses are applied. The minimum delay between pulses is 500 ms.

3.4.3 Charged-Device Model (CDM) - JEDEC JESD22-C101E

CDM simulates charging/discharging events that occur in production equipment and processes. The potential for a CDM ESD events occurs when there is metal-to-metal contact in manufacturing. CDM addresses the possibility that a charge may reside on the lead frame or package (e.g., from shipping) and discharge through a pin that subsequently is grounded, causing damage to sensitive devices in the path. Discharge current is limited only by the parasitic impedance and capacitance of the device. CDM testing consists of charging package to a specified voltage, then discharging the voltage through relevant package leads. One positive and one negative polarity pulse is applied. The minimum delay between pulses is 200 ms.

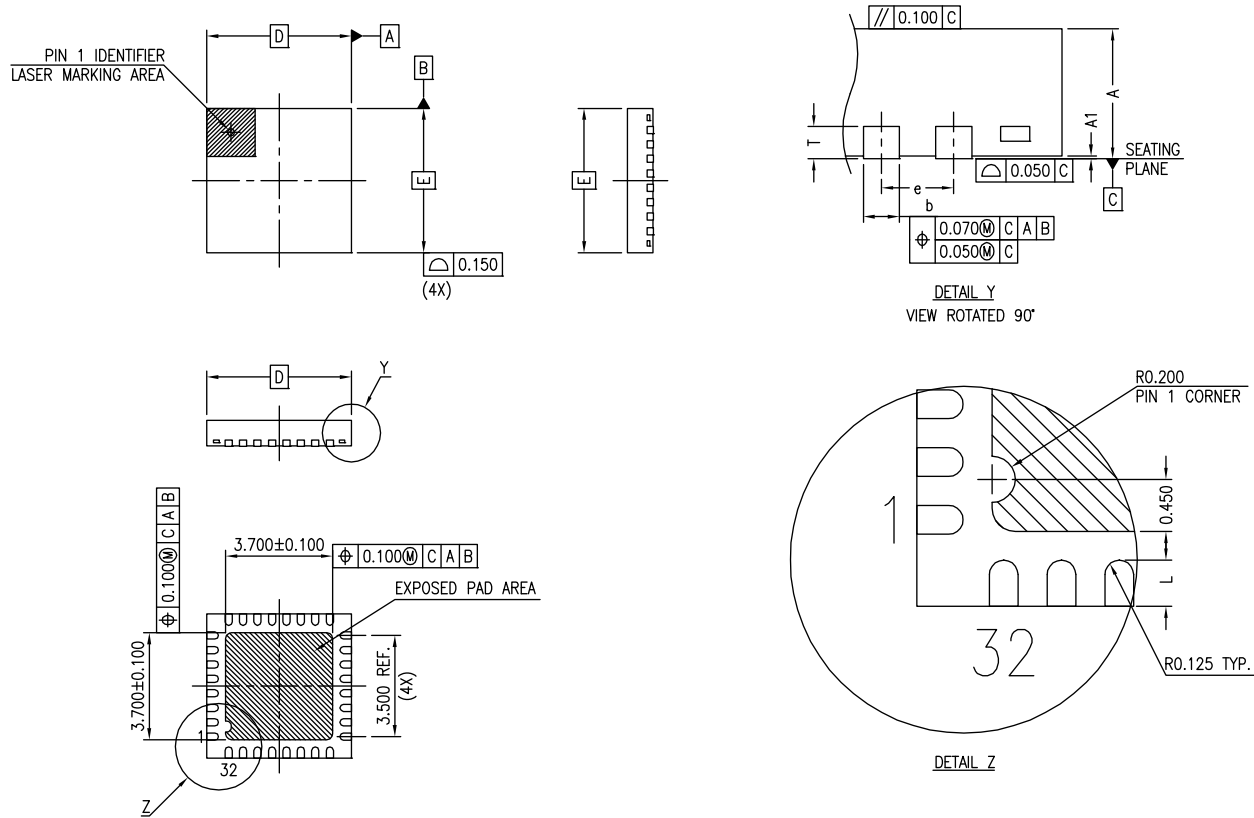
3.4.4 Results Summary

ESD Test Voltage Level Results:

- HBM +/- 2KV PASS
- CDM +/- 500V PASS
- MM +/- 150V PASS

4. Mechanical Information

Figure 13. 32-pin QFN



Customized design with pin 1 radius notch against standard pin 1 chamfer

DIMENSION LIST (FOOTPRINT: 0.60)

S/N	SYM	DIMENSIONS	REMARKS
1	A	0.900±0.100	OVERALL HEIGHT
2	A1	0.020 0.020	STANDOFF
3	D	5.000±0.100	PKG. LENGTH
4	E	5.000±0.100	PKG. WIDTH
5	L	0.400±0.075	FOOT LENGTH
6	T	0.203 REF.	FRAME THICKNESS
7	b	0.250±0.050	LEAD WIDTH
8	e	0.500 BASE	LEAD PITCH

NOTES :

S/N	DESCRIPTION	SPEC.	
1	GENERAL TOLERANCE	DISTANCE	±0.100
		ANGLE	±2.5°
2	MAI TE FINISH ON PACKAGE BODY SURFACE EXCEPT EJECTION AND PIN 1 MARKING.	Ra 0.3~1.2um	
3	FRAME BASE METAL THICKNESS	0.203 BASE	
4	ALL MOLDED BODY SHARP CORNER RADI UNLESS OTHERWISE SPECIFIED.	MAX. R0.200	
5	DRAWING DOES NOT INCLUDE PLASTIC OR METAL PROTRUSION OR CUTTING BURR.		
6	COMPLIANT TO JEDEC STANDARD: MO-220		

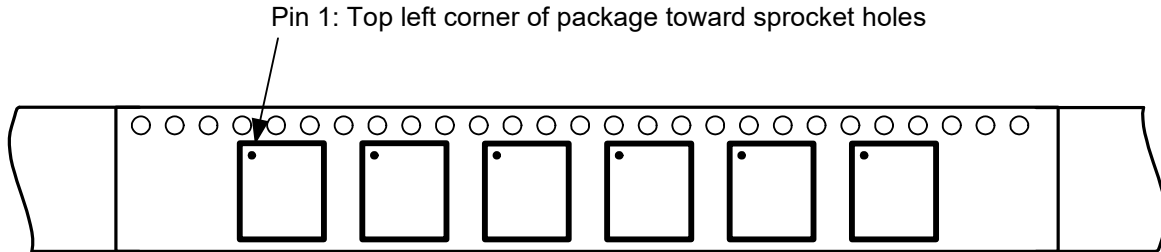
4.1 Tape Reel and Packaging Specifications

Table 22. CYW20737 5 × 5 × 1 mm QFN, 32-Pin Tape Reel Specifications

Parameter	Value
Quantity per reel	2500 pieces
Reel diameter	13 inches
Hub diameter	7 inches
Tape width	12 mm
Tape pitch	8 mm

The top left corner of the CYW20737 package is situated near the sprocket holes, as shown in [Figure 14](#).

Figure 14. Pin 1 Orientation



5. Ordering Information

Table 23. Ordering Information

Part Number	Package	Ambient Operating Temperature
CYW20737A1KML2G	32-pin QFN	-30°C to +85°C

6. Additional Information

6.1 Acronyms and Abbreviations

The following list of acronyms and abbreviations may appear in this document.

Term	Description
ADC	analog-to-digital converter
AFH	adaptive frequency hopping
AHB	advanced high-performance bus
APB	advanced peripheral bus
APU	audio processing unit
ARM7TDMI-S®	Acorn RISC Machine 7 Thumb instruction, Debugger, Multiplier, Ice, Synthesizable
BTC	Bluetooth controller
COEX	coexistence
DFU	device firmware update
DMA	direct memory access
EBI	external bus interface
HCI	Host Control Interface
HV	high voltage
IDC	initial digital calibration
IF	intermediate frequency
IRQ	interrupt request
JTAG	Joint Test Action Group
LCU	link control unit
LDO	low drop-out
LHL	lean high land
LPO	low power oscillator
LV	LogicVision™
MIA	multiple interface agent
PCM	pulse code modulation
PLL	phase locked loop
PMU	power management unit
POR	power-on reset
PWM	pulse width modulation
QD	quadrature decoder
RAM	random access memory
RF	radio frequency
ROM	read-only memory
RX/TX	receive, transmit

Term	Description
SPI	serial peripheral interface
SW	software
UART	universal asynchronous receiver/transmitter
UPI	μ-processor interface
WD	watchdog

In most cases, acronyms and abbreviations are defined on first use.

For a comprehensive list of acronyms and other terms used in Cypress documents, go to: <http://www.cypress.com/glossary>

6.2 IoT Resources

Cypress provides a wealth of data at <http://www.cypress.com/internet-things-iot> to help you to select the right IoT device for your design, and quickly and effectively integrate the device into your design. Cypress provides customer access to a wide range of information, including technical documentation, schematic diagrams, product bill of materials, PCB layout information, and software updates. Customers can acquire technical documentation and software from the Cypress Support Community website (<https://community.cypress.com/>)

Document History Page

Document Title: CYW20737 Single-Chip Bluetooth Low Energy-Only System-On-Chip			
Document Number: 002-16365			
Revision	ECN	Submission Date	Description of Change
**	-	05/30/2014	20737-DS100-R Initial release
		02/10/2016	20737-DS101-R Added: "ESD Test Models"
		08/17/2016	20737-DS102-R Updated: • "Ordering Information" on page 45
*A	5525954	11/22/2016	Added Cypress Part Numbering Scheme and Mapping Table on Page 1. Updated to Cypress template.
*B	5738817	05/15/2017	Updated Cypress Logo and Copyright.
*C	5792463	07/05/2017	Updated the Title. Replaced Alliance with Wireless Power to Airfuel - "Features" on page 1 . Removed (aka Bluetooth Smart) from Page 1. Replaced 4.0 with 4.1 in "Integrated Radio Transceiver" on page 11 . Removed Wireless Charging Section from the datasheet.
*D	6893048	06/08/2020	Updated the Title "CYW20737 Single-Chip Bluetooth Low Energy-Only System-On-Chip". Replaced Broadcom Serial control and BSC with "Serial control" throughout the document. Removed "IR learning" from Features section. Removed "Part Numbering Scheme" table. Removed "Infrared Learning" section.

Sales, Solutions, and Legal Information

Worldwide Sales and Design Support

Cypress maintains a worldwide network of offices, solution centers, manufacturer's representatives, and distributors. To find the office closest to you, visit us at [Cypress Locations](#).

Products

Arm® Cortex® Microcontrollers	cypress.com/arm
Automotive	cypress.com/automotive
Clocks & Buffers	cypress.com/clocks
Interface	cypress.com/interface
Internet of Things	cypress.com/iot
Memory	cypress.com/memory
Microcontrollers	cypress.com/mcu
PSoC	cypress.com/psoc
Power Management ICs	cypress.com/pmic
Touch Sensing	cypress.com/touch
USB Controllers	cypress.com/usb
Wireless Connectivity	cypress.com/wireless

PSoC® Solutions

[PSoC 1](#) | [PSoC 3](#) | [PSoC 4](#) | [PSoC 5LP](#) | [PSoC 6 MCU](#)

Cypress Developer Community

[Community](#) | [Code Examples](#) | [Projects](#) | [Video](#) | [Blogs](#) | [Training](#) | [Components](#)

Technical Support

cypress.com/support

© Cypress Semiconductor Corporation, 2014-2020. This document is the property of Cypress Semiconductor Corporation and its subsidiaries ("Cypress"). This document, including any software or firmware included or referenced in this document ("Software"), is owned by Cypress under the intellectual property laws and treaties of the United States and other countries worldwide. Cypress reserves all rights under such laws and treaties and does not, except as specifically stated in this paragraph, grant any license under its patents, copyrights, trademarks, or other intellectual property rights. If the Software is not accompanied by a license agreement and you do not otherwise have a written agreement with Cypress governing the use of the Software, then Cypress hereby grants you a personal, non-exclusive, nontransferable license (without the right to sublicense) (1) under its copyright rights in the Software (a) for Software provided in source code form, to modify and reproduce the Software solely for use with Cypress hardware products, only internally within your organization, and (b) to distribute the Software in binary code form externally to end users (either directly or indirectly through resellers and distributors), solely for use on Cypress hardware product units, and (2) under those claims of Cypress's patents that are infringed by the Software (as provided by Cypress, unmodified) to make, use, distribute, and import the Software solely for use with Cypress hardware products. Any other use, reproduction, modification, translation, or compilation of the Software is prohibited.

TO THE EXTENT PERMITTED BY APPLICABLE LAW, CYPRESS MAKES NO WARRANTY OF ANY KIND, EXPRESS OR IMPLIED, WITH REGARD TO THIS DOCUMENT OR ANY SOFTWARE OR ACCOMPANYING HARDWARE, INCLUDING, BUT NOT LIMITED TO, THE IMPLIED WARRANTIES OF MERCHANTABILITY AND FITNESS FOR A PARTICULAR PURPOSE. No computing device can be absolutely secure. Therefore, despite security measures implemented in Cypress hardware or software products, Cypress shall have no liability arising out of any security breach, such as unauthorized access to or use of a Cypress product. CYPRESS DOES NOT REPRESENT, WARRANT, OR GUARANTEE THAT CYPRESS PRODUCTS, OR SYSTEMS CREATED USING CYPRESS PRODUCTS, WILL BE FREE FROM CORRUPTION, ATTACK, VIRUSES, INTERFERENCE, HACKING, DATA LOSS OR THEFT, OR OTHER SECURITY INTRUSION (collectively, "Security Breach"). Cypress disclaims any liability relating to any Security Breach, and you shall and hereby do release Cypress from any claim, damage, or other liability arising from any Security Breach. In addition, the products described in these materials may contain design defects or errors known as errata which may cause the product to deviate from published specifications. To the extent permitted by applicable law, Cypress reserves the right to make changes to this document without further notice. Cypress does not assume any liability arising out of the application or use of any product or circuit described in this document. Any information provided in this document, including any sample design information or programming code, is provided only for reference purposes. It is the responsibility of the user of this document to properly design, program, and test the functionality and safety of any application made of this information and any resulting product. "High-Risk Device" means any device or system whose failure could cause personal injury, death, or property damage. Examples of High-Risk Devices are weapons, nuclear installations, surgical implants, and other medical devices. "Critical Component" means any component of a High-Risk Device whose failure to perform can be reasonably expected to cause, directly or indirectly, the failure of the High-Risk Device, or to affect its safety or effectiveness. Cypress is not liable, in whole or in part, and you shall and hereby do release Cypress from any claim, damage, or other liability arising from any use of a Cypress product as a Critical Component in a High-Risk Device. You shall indemnify and hold Cypress, its directors, officers, employees, agents, affiliates, distributors, and assigns harmless from and against all claims, costs, damages, and expenses, arising out of any claim, including claims for product liability, personal injury or death, or property damage arising from any use of a Cypress product as a Critical Component in a High-Risk Device. Cypress products are not intended or authorized for use as a Critical Component in any High-Risk Device except to the limited extent that (i) Cypress's published data sheet for the product explicitly states Cypress has qualified the product for use in a specific High-Risk Device, or (ii) Cypress has given you advance written authorization to use the product as a Critical Component in the specific High-Risk Device and you have signed a separate indemnification agreement.

Cypress, the Cypress logo, Spansion, the Spansion logo, and combinations thereof, WICED, PSoC, CapSense, EZ-USB, F-RAM, and Traveo are trademarks or registered trademarks of Cypress in the United States and other countries. For a more complete list of Cypress trademarks, visit cypress.com. Other names and brands may be claimed as property of their respective owners.