

AIROC™ Bluetooth® & Bluetooth® LE module

General description

The CYBT-213043-02 is a dual-mode Bluetooth® BR/EDR and Low Energy wireless module solution. The CYBT-213043-02 includes an onboard crystal oscillator, passive components, and the Infineon CYW20819 silicon device.

The CYBT-213043-02 supports a number of peripheral functions (ADC, PWM), as well as multiple serial communication protocols (UART, SPI, I²C, I²S/PCM). The CYBT-213043-02 includes a royalty-free stack compatible with Bluetooth® 5.0 in a 12.0 × 16.61 × 1.70 mm module form-factor.

The CYBT-213043-02 includes an integrated PCB trace antenna, is qualified by Bluetooth® SIG, and includes regulatory certification approval for FCC, ISED, MIC, and CE.

Features

- Module description
 - Module size: 12.00 mm × 16.61 mm × 1.70 mm
 - Complies with Bluetooth® Core Specification version 5.0 and includes support for BR, EDR 2/3 Mbps, eSCO, Bluetooth® LE, LE 2 Mbps, as well as Bluetooth® Mesh.
 - QDID: **154138**
 - Declaration ID: **D043205**
 - Certified to FCC, ISED, MIC, and CE standards
 - 256-KB on-chip Flash, 176-KB on-chip RAM
 - Industrial temperature range: -30°C to +85°C
 - Integrated Arm® Cortex®-M4 microprocessor core with floating point unit (FPU)
- RF characteristics
 - Maximum TX output power: +4.0 dBm
 - Bluetooth® LE RX Receive Sensitivity: -95.0 dBm
- Power consumption
 - TX current consumption
 - Bluetooth® LE silicon: 5.8 mA (radio only, 4 dBm)
 - RX current consumption
 - Bluetooth® silicon: 5.9 mA (radio only)
 - Infineon CYW20819 silicon low power mode support
 - PDS: 16.5 µA with 176 KB RAM retention
 - ePDS: 8.7 µA
 - HIDEOFF (wake on external or timed interrupt): 1.75 µA
- Functional capabilities
 - Up to 22 GPIOs
 - I²C, I2S, UART, and PCM interfaces
 - Two Quad-SPI interfaces
 - Auxiliary ADC with up to 15 analog channels
 - Programmable key scan 20 × 8 matrix
 - General-purpose timers and six PWMs
 - Real-time clock (RTC) and watchdog timers (WDT)
 - Bluetooth® Basic Rate (BR) and Enhanced Data Rate (EDR) support
 - Bluetooth® LE protocol stack supporting generic access profile (GAP) Central, Peripheral, Observer, or Broadcaster roles

Benefits

CYBT-213043-02 is fully integrated and certified solution that provides all necessary components required to operate Bluetooth® communication standards.

- Proven hardware design ready to use
- Ultra-flexible supermux I/O design allows maximum flexibility for GPIO function assignment
- Over-the-air update capable for development or field updates
- Bluetooth® SIG qualified
- ModusToolbox™ provides an easy-to-use integrated design environment (IDE) to configure, develop, program, and test your Bluetooth® application

Table of contents

General description	1
Features	1
Benefits	2
Table of contents	3
1 More information	5
1.1 References	5
1.2 Development environments	5
1.2.1 ModusToolbox™ Integrated Development Environment (IDE)	5
1.3 Technical support	5
2 Overview	6
2.1 Functional block diagram	6
2.2 Module description	7
2.2.1 Module dimensions and drawing	7
3 Pad connection interface	9
4 Recommended Host PCB layout	11
5 Module connections	14
6 Connections and optional external components	18
6.1 Power connections (VDD)	18
6.2 External Reset (XRES)	18
6.3 HCI UART connections	18
6.4 External component recommendation	19
6.4.1 Power supply circuitry	19
7 Critical components list	20
8 Antenna design	21
9 Bluetooth® Baseband Core	22
10 Power Management Unit	23
11 Integrated radio transceiver	24
11.1 Transmitter path	24
11.1.1 Digital modulator	24
11.1.2 Power amplifier	24
11.2 Receiver path	24
11.2.1 Digital demodulator and bit synchronizer	24
11.2.2 Receiver signal strength indicator	24
11.3 Local oscillator	24
12 Microcontroller unit	25
12.1 External reset	25
12.2 32-kHz crystal oscillator	26
12.3 Power Modes	27
12.4 Firmware	27
12.5 Watchdog	27
12.6 Lockout functionality	27
12.7 True Random Number Generator	27
13 Peripherals and Communication interfaces	28
13.1 I2C	28
13.2 HCI UART interface	28
13.3 Peripheral UART interface	28
13.4 Serial Peripheral interface	28
13.5 ADC Port	29
13.6 GPIO port	29
13.7 PWM	30
13.8 PDM microphone	31

Table of contents

13.9 I2S interface	31
13.10 PCM interface	32
13.10.1 Slot mapping.....	32
13.10.2 Frame synchronization	32
13.10.3 Data formatting.....	32
14 Electrical characteristics	33
14.1 Current consumption	34
14.2 Silicon Core Buck Regulator.....	34
14.3 Digital LDO.....	35
14.4 RF LDO	36
14.5 Digital I/O characteristics	37
14.6 ADC characteristics	38
15 Chipset RF specifications	40
16 Timing and AC characteristics	43
16.1 UART Timing.....	43
16.2 SPI Timing	44
16.3 I2C Compatible Interface Timing	46
16.4 I2S Interface Timing.....	47
17 Environmental specifications.....	49
17.1 Environmental compliance	49
17.2 RF certification	49
17.3 Safety certification.....	49
17.4 Environmental conditions	49
17.5 ESD and EMI protection	49
18 Regulatory information	50
18.1 FCC.....	50
18.2 ISED.....	51
18.3 European Declaration of Conformity.....	52
18.4 MIC Japan	53
19 Packaging	54
20 Ordering information	56
21 Acronyms	57
22 Document conventions.....	58
22.1 Units of measure	58
Revision history	59

More information

1 More information

Infineon provides a wealth of data at www.infineon.com to help you to select the right module for your design, and to help you to quickly and effectively integrate the module into your design.

1.1 References

- Overview: [AIROC™ Bluetooth® & Multiprotocol](#)
- Development Kits:
 - [CYBT-213043-EVAL](#), CYBT-213043-02 Evaluation Board
 - [CYBT-213043-MESH](#), Mesh Evaluation Kit
 - [CYW920819Q40EVB-01](#), Evaluation Kit for CYW20819 silicon device
- Test and Debug Tools:
 - [CYSmart](#), Bluetooth® LE Test and Debug Tool (Windows)
 - [CYSmart Mobile](#), Bluetooth® LE Test and Debug Tool (Android/iOS Mobile App)
- Knowledge Base Article
 - [KBA97095](#) - AIROC™ Bluetooth® LE module Placement
 - [RF Regulatory Certifications for CYBT-213043-02 EZ-BT WICED Modules](#)
 - [KBA213976](#) - FAQ for Bluetooth® LE and Regulatory Certifications with AIROC™ Bluetooth® LE modules
 - [KBA210802](#) - Queries on Bluetooth® LE Qualification and Declaration Processes
 - [KBA218122](#) - 3D Model Files for AIROC™ Bluetooth® & Bluetooth® LE modules
 - [KBA223428](#) - Programming an AIROC™ Bluetooth® LE module
 - [KBA225450](#) - Putting 2073x, 2070x, and 20719 Based Devices or Modules in HCI Mode

1.2 Development environments

1.2.1 ModusToolbox™ Integrated Development Environment (IDE)

ModusToolbox™ simplifies development for IoT designers. It delivers easy-to-use tools and a familiar microcontroller (MCU) integrated development environment (IDE) for Windows®, macOS®, and Linux®. It provides a sophisticated environment for system setup, wireless connectivity libraries, power analysis, application-specific configurators for Bluetooth® Low Energy, CAPSENSE™, as well as other peripherals.

In addition, code examples, documentation, technical support and community forums are available to help your IoT development process along. These tools and features enable an IoT designer to develop innovative IoT applications efficiently and with ease.

1.3 Technical support

- **Infineon Community:** Whether you are a customer, partner, or a developer interested in the latest innovations, the Infineon Developer Community offers you a place to learn, share, and engage with both Infineon experts and other embedded engineers around the world.
- Visit our [support](#) page or contact a [local sales representatives](#). If you are in the United States, you can talk to our technical support team by calling our toll-free number: +1-800-541-4736. Select option 2 at the prompt.

2 Overview

2.1 Functional block diagram

Figure 1 illustrates the CYBT-213043-02 functional block diagram.

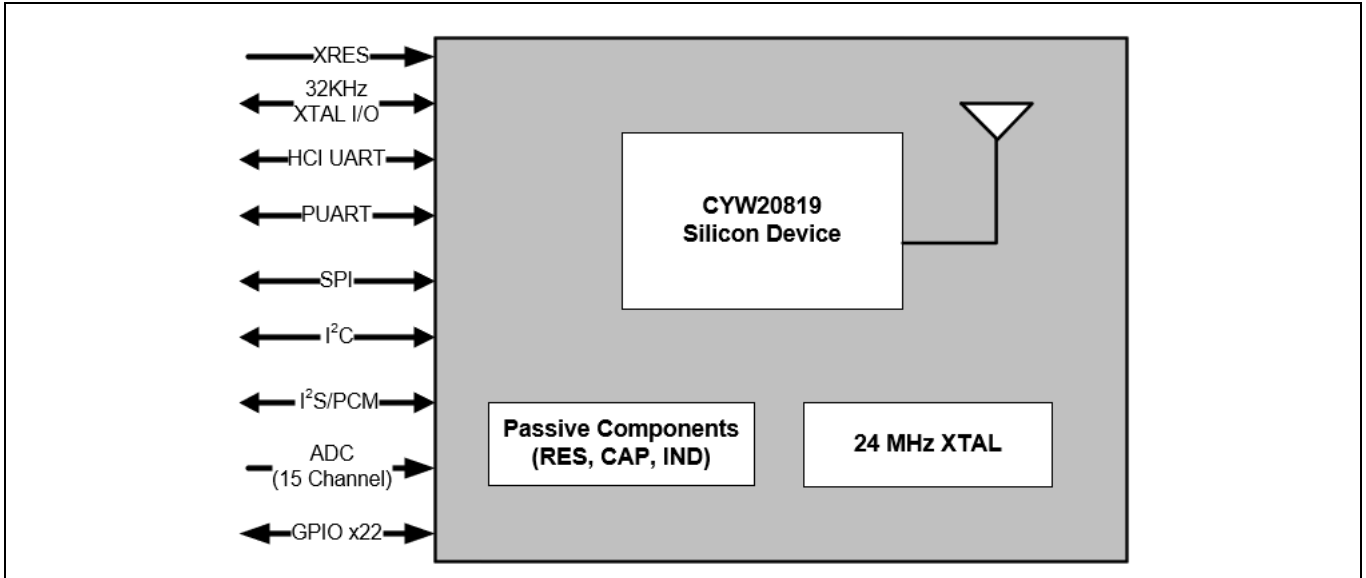


Figure 1 Functional block diagram

Note: General Purpose Input/Output pins shown in Figure 1 are configurable to any specified input or output function in the SuperMux table detailed in Table 5 in the “Module connections” on page 14.

Note: The total number of GPIOs available on the CYBT-213043-02 is 22. Peripheral and/or Serial communication functions are implemented using these 22 GPIOs.

2.2 Module description

The CYBT-213043-02 module is a complete module designed to be soldered to the applications main board.

2.2.1 Module dimensions and drawing

Infineon reserves the right to select components from various vendors to achieve the Bluetooth® module functionality. Such selections will still guarantee that all mechanical specifications and module certifications are maintained. The CYBT-213043-02 will be held within the physical dimensions shown in the mechanical drawings in **Figure 2**. All dimensions are in millimeters (mm).

Table 1 Module design dimensions

Dimension item		Specification
Module dimensions	Length (X)	12.00 ± 0.15 mm
	Width (Y)	16.61 ± 0.15 mm
Antenna location dimensions	Length (X)	12.00 mm
	Width (Y)	4.55 mm
PCB thickness	Height (H)	0.50 ± 0.10 mm
Shield height	Height (H)	1.20 mm typical
Maximum component height	Height (H)	0.80 mm typical
Total module thickness (bottom of module to top of shield)	Height (H)	1.70 mm typical

See **Figure 2** for the mechanical reference drawing for CYBT-213043-02.

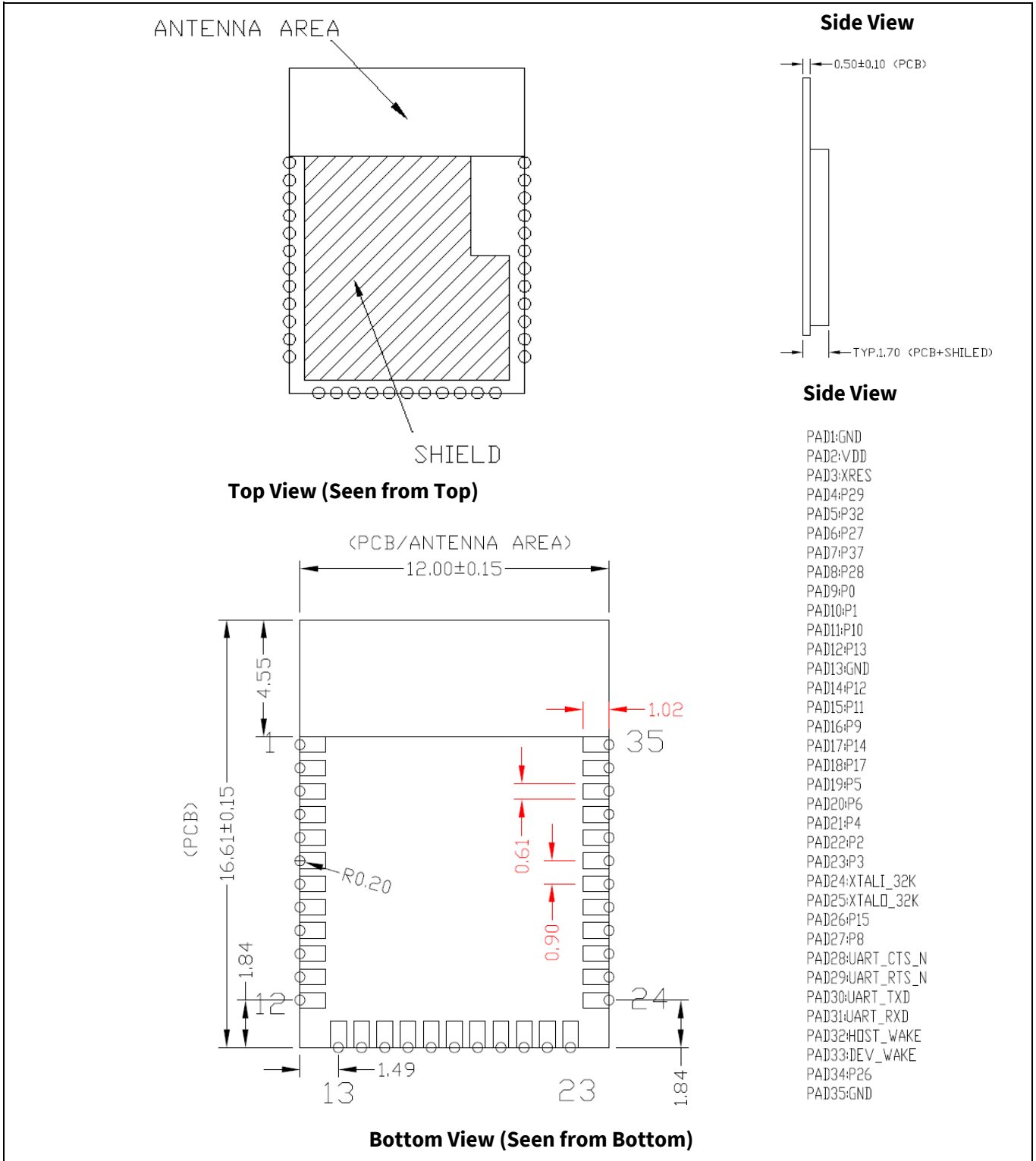


Figure 2 Module mechanical drawing

Note

1. No metal should be located beneath or above the antenna area. Only bare PCB material should be located beneath the antenna area. For more information on the recommended host PCB layout, see **“Recommended Host PCB layout”** on page 11.

3 Pad connection interface

As shown in the bottom view of **Figure 2**, the CYBT-213043-02 has 28 connections to a host board via solder pads (SP). **Table 2** and **Figure 3** detail the solder pad length, width, and pitch dimensions of the CYBT-213043-02 module.

Table 2 Connection description

Name	Connections	Connection type	Pad length dimension	Pad width dimension	Pad pitch
SP	35	Solder Pad	1.02 mm	0.61 mm	0.90 mm

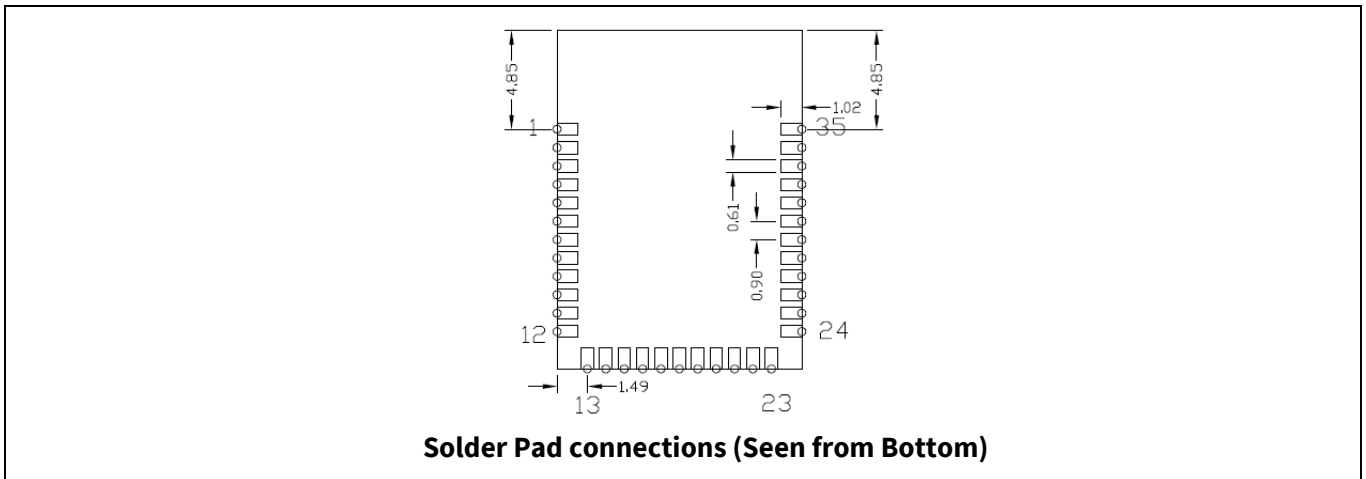


Figure 3 Solder Pad dimensions (Seen from Bottom)

To maximize RF performance, the host layout should follow these recommendations:

1. Antenna Area Keepout: The host board directly below the antenna area of the Infineon module (see **Figure 2**) must contain no ground or signal traces. This keep out area requirement applies to all layers of the host board.
2. Module Placement: The ideal placement of the Infineon Bluetooth® module is in a corner of the host board with the PCB antenna located at the far corner. This placement minimizes the additional recommended keep out area stated in item 3 below. Refer to **AN96841** for module placement best practices.
3. Optional Keepout: To maximize RF performance, the area immediately around the Infineon Bluetooth® module PCB antenna may contain an additional keep out area, where there are no grounding or signal traces. The keep out area applies to all layers of the host board. The recommended dimensions of the host PCB keep out area are shown in **Figure 4** (dimensions are in mm).

Pad connection interface

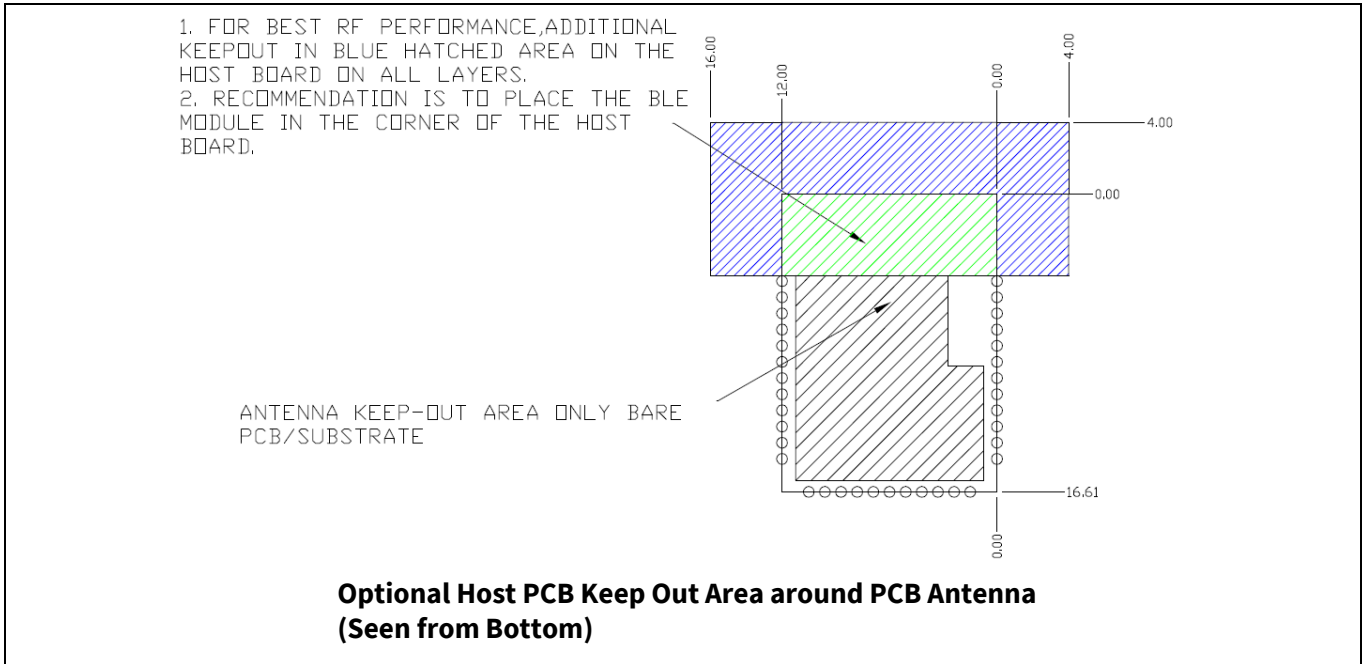


Figure 4 Optional Additional Host PCB Keep Out Area around the CYBT-213043-02 PCB Antenna

4 Recommended Host PCB layout

Figure 5, Figure 6, Figure 7, and Table 3 provide details that can be used for the recommended host PCB layout pattern for the CYBT-213043-02. Dimensions are in millimeters unless otherwise noted. Pad length of 1.27 mm (0.633 mm from center of the pad on either side) shown in Figure 7 is the minimum recommended host pad length. The host PCB layout pattern can be completed using either Figure 5, Figure 6, or Figure 7. It is not necessary to use all figures to complete the host PCB layout pattern.

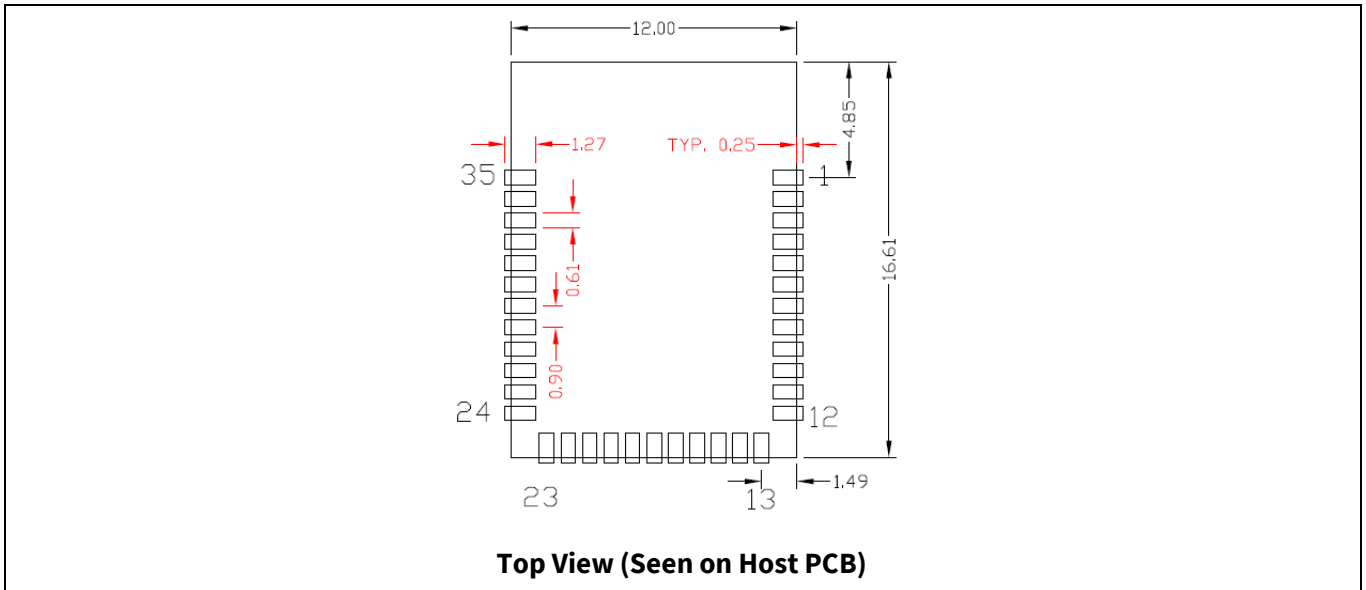


Figure 5 CYBT-213043-02 Host layout (Dimensioned)

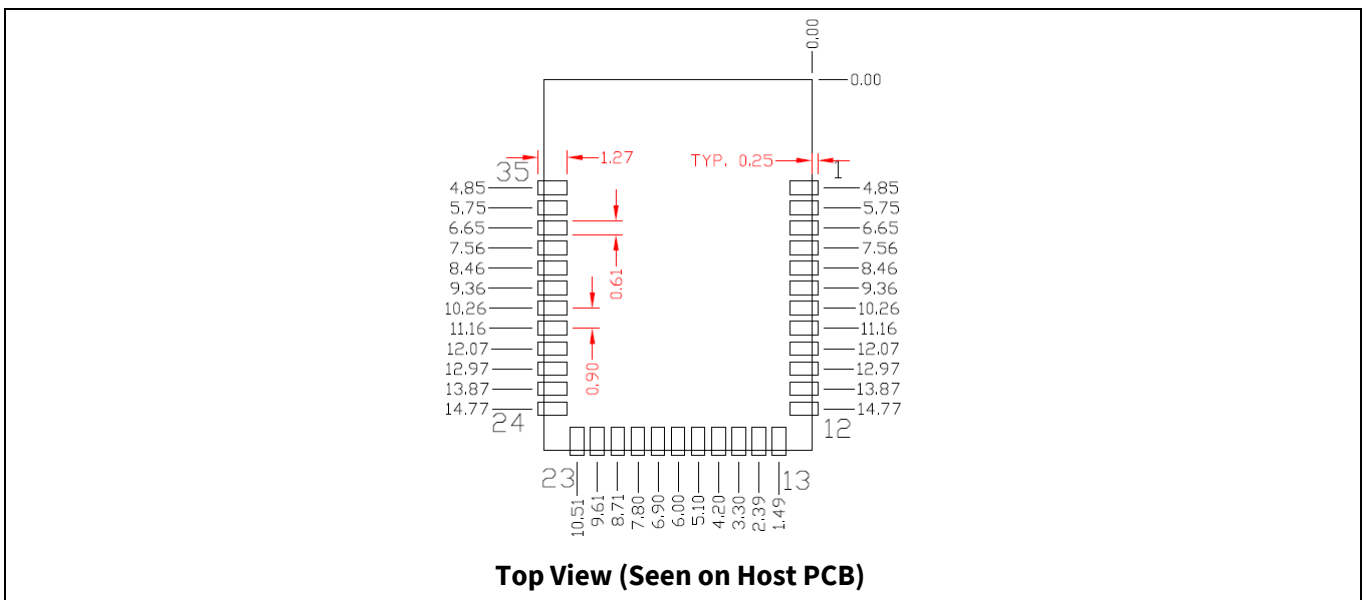


Figure 6 CYBT-213043-02 Host layout (Relative to Origin)

Recommended Host PCB layout

Table 3 provides the center location for each solder pad on the CYBT-213043-02. All dimensions are referenced to the center of the solder pad. Refer to **Figure 7** for the location of each module solder pad.

Table 3 Module Solder Pad location

Solder Pad (Center of Pad)	Location (X, Y) from Origin (mm)	Dimension from Origin (mils)
1	(0.38, 4.85)	(14.96, 190.94)
2	(0.38, 5.75)	(14.96, 226.38)
3	(0.38, 6.65)	(14.96, 261.81)
4	(0.38, 7.56)	(14.96, 297.64)
5	(0.38, 8.46)	(14.96, 333.07)
6	(0.38, 9.36)	(14.96, 368.50)
7	(0.38, 10.26)	(14.96, 403.94)
8	(0.38, 11.16)	(14.96, 439.37)
9	(0.38, 12.07)	(14.96, 475.20)
10	(0.38, 12.97)	(14.96, 510.63)
11	(0.38, 13.87)	(14.96, 546.06)
12	(0.38, 14.77)	(14.96, 581.49)
13	(1.49, 16.23)	(58.66, 638.98)
14	(2.39, 16.23)	(94.09, 638.98)
15	(3.30, 16.23)	(129.92, 638.98)
16	(4.20, 16.23)	(165.35, 638.98)
17	(5.10, 16.23)	(200.79, 638.98)
18	(6.00, 16.23)	(236.22, 638.98)
19	(6.90, 16.23)	(271.65, 638.98)
20	(7.80, 16.23)	(307.09, 638.98)
21	(8.71, 16.23)	(342.91, 638.98)
22	(9.61, 16.23)	(378.35, 638.98)
23	(10.51, 16.23)	(413.78, 638.98)
24	(11.62, 14.47)	(457.48, 581.49)
25	(11.62, 13.87)	(457.48, 546.06)
26	(11.62, 12.97)	(457.48, 510.63)
27	(11.62, 12.07)	(457.48, 475.20)
28	(11.62, 11.16)	(457.48, 439.37)
29	(11.62, 10.26)	(457.48, 403.94)
30	(11.62, 9.36)	(457.48, 368.50)
31	(11.62, 8.46)	(457.48, 333.07)
32	(11.62, 7.56)	(457.48, 297.64)
33	(11.62, 6.65)	(457.48, 261.81)
34	(11.62, 5.75)	(457.48, 226.38)
35	(11.62, 4.85)	(457.48, 190.94)

Recommended Host PCB layout

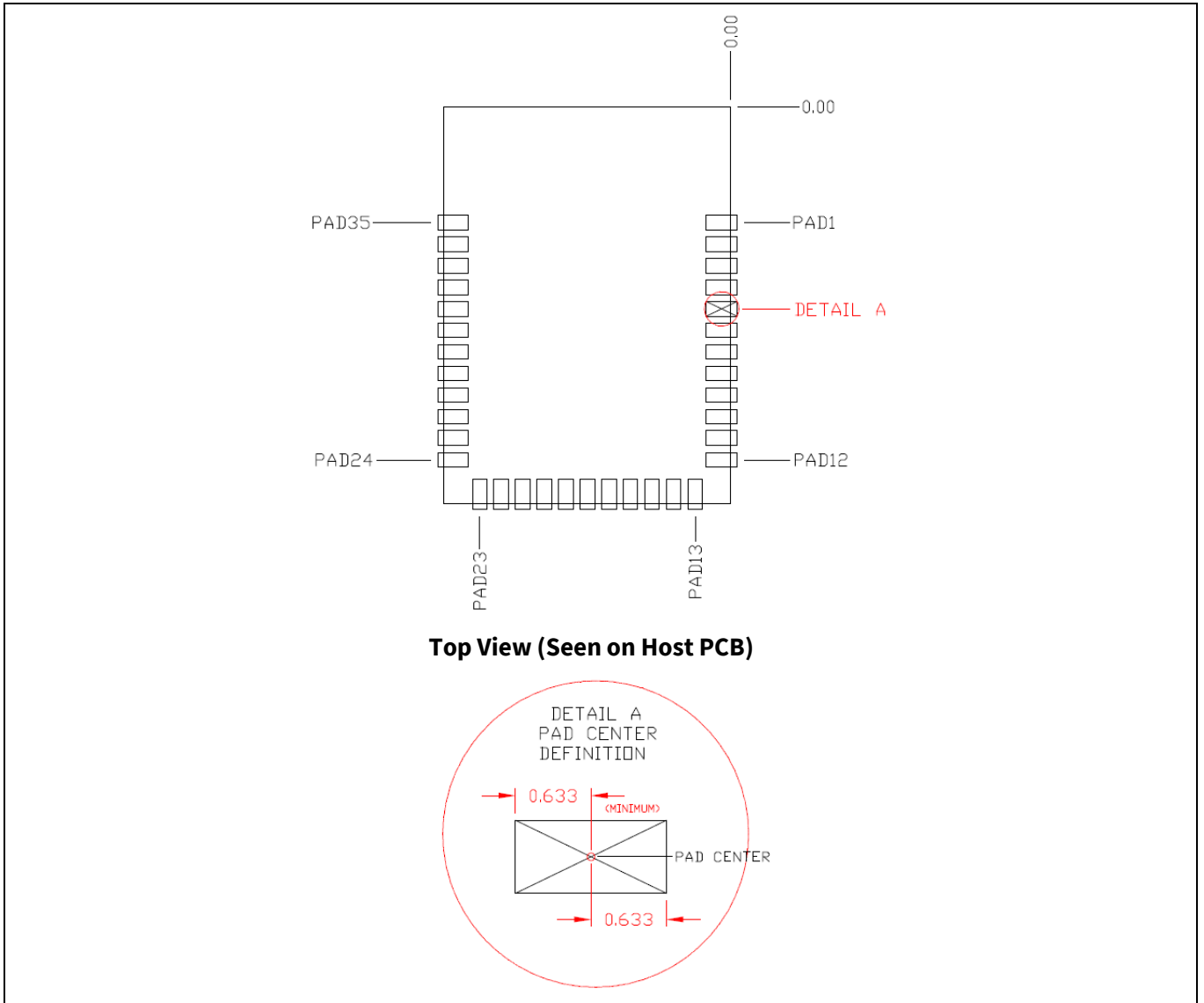


Figure 7 Solder Pad Reference location

5 Module connections

Table 4 details the solder pad connection definitions and available functions for each connection pad. The GPIO connections available on the CYBT-213043-02 can be configured to any of the input or output functions listed in **Table 5**. **Table 4** specifies any function that is required to be used on a specific solder pad, and also identifies SuperMux capable GPIOs that can be configured using the ModusToolbox™ device configurator.

Table 4 CYBT-213043-02 Solder Pad Connection definitions

Pad	Pad name	Silicon Pin name	XTALI/O	ADC	GPIO	SuperMux capable ^[2]
1	GND	GND	Ground			
2	VDD	VDDIO	Power Supply Input (1.71 V ~ 3.63 V)			
3	XRES	RST_N	External Reset (Active Low)			
4	P29	P29	-	IN10	✓	✓ see Table 5
5	P32	P32	-	IN7	✓	✓ see Table 5
6	P27	P27	-	-	✓	✓ see Table 5
7	P37	P37	-	IN2	✓	✓ see Table 5
8	P28	P28	-	IN11	✓	✓ see Table 5
9	P0	P0	-	IN29	✓	✓ see Table 5
10	P1	P1	-	IN28	✓	✓ see Table 5
11	P10	P10	-	IN25	✓	✓ see Table 5
12	P13	P13	-	IN22	✓	✓ see Table 5
13	GND	GND	Ground			
14	P12	P12	-	IN23	✓	✓ see Table 5
15	P11	P11	-	IN24	✓	✓ see Table 5
16	P9	P9	-	IN26	✓	✓ see Table 5
17	P14	P14	-	IN21	✓	✓ see Table 5
18	P17	P17	-	IN18	✓	✓ see Table 5
19	P5	P5	-	-	✓	✓ see Table 5
20	P6	P6	-	-	✓	✓ see Table 5
21	P4	P4	-	-	✓	✓ see Table 5
22	P2	P2	-	-	✓	✓ see Table 5
23	P3	P3	-	-	✓	✓ see Table 5
24	XTALI_32K	XTALI_32K	External Oscillator Input (32 kHz)	-	-	-
25	XTALO_32K	XTALO_32K	External Oscillator Output (32 kHz)	-	-	-
26	P15	P15	-	IN20	✓	✓ see Table 5
27	P8	P8	-	IN27	✓	✓ see Table 5

Note

- The CYBT-213043-02 can configure GPIO connections to any Input/Output function described in [Table 5](#) using the ModusToolbox™ Device Configurator.

Module connections

Table 4 CYBT-213043-02 Solder Pad Connection definitions (continued)

Pad	Pad name	Silicon Pin name	XTALI/O	ADC	GPIO	SuperMux capable ^[2]
28	UART_CTS_N	UART_CTS_N	UART (HCI UART) Clear to send Input only			
29	UART_RTS_N	UART_RTS_N	UART (HCI UART) Request to send Output only			
30	UART_TXD	UART_TXD	UART (HCI UART) Transmit Data only			
31	UART_RXD	UART_RXD	UART (HCI UART) Receive Data only			
32	HOST_WAKE	HOST_WAKE	A signal from the CYBT-213043-02 module to the host indicating that the Bluetooth device requires attention.			
33	DEV_WAKE	DEV_WAKE	A signal from the host to the CYBT-213043-02 module indicating that the host requires attention.			
34	P26	P26	-	-	✓	✓ see Table 5
35	GND	GND	Ground			

Note

- The CYBT-213043-02 can configure GPIO connections to any Input/Output function described in [Table 5](#) using the ModusToolbox™ Device Configurator.

Module connections

Table 5 details the available Input and Output functions that are configurable to any solder pad in **Table 4** that are marked as SuperMux capable.

Table 5 GPIO SuperMux Input and Output functions

Function	Input or Output	Function type	GPIOs required	Function Connection description
SPI 1	Input/Output	Serial Communication (Master or Slave)	4 ~ 7	SPI 1 Clock
				SPI 1 Chip Select
				SPI 1 MOSI
				SPI 1 MISO
				SPI 1 I/O 2 (Quad SPI)
				SPI 1 I/O 3 (Quad SPI)
				SPI 1 Interrupt
SPI 2	Input/Output	Serial Communication (Master or Slave)	4 ~ 7	SPI 2 Clock
				SPI 2 Chip Select
				SPI 2 MOSI
				SPI 2 MISO
				SPI 2 I/O 2 (Quad SPI)
				SPI 2 I/O 3 (Quad SPI)
				SPI 2 Interrupt
PUART	Input	Serial Communication Input	4	Peripheral UART RX
				Peripheral UART CTS
	Output	Serial Communication Output		Peripheral UART TX
				Peripheral UART RTS
I ² C	Input/Output	Serial Communication (Master or Slave)	2	I2C Clock
				I2C Data
PCM In	Input	Audio Input Communication	3	PCM Input
				PCM Clock
				PCM Sync
PCM Out	Output	Audio Output Communication	3	PCM Output
				PCM Clock
				PCM Sync
I ² S In	Input	Audio Input Communication	3	I2S DI, Data Input
				I2S WS, Word Select
				I2S Clock
I ² S Out	Output	Audio Output Communication	3	I2S DO, Data Output
				I2S WS, Word Select
				I2S Clock
PDM	Input	Microphone	1 ~ 2	PDM Input Channel 1
				PDM Input Channel 2

Module connections

Table 5 GPIO SuperMux Input and Output functions (continued)

Function	Input or Output	Function type	GPIOs required	Function Connection description
PWM	Output	Pulse Width Modulator	1 ~ 6	PWM Channel 0
				PWM Channel 1
				PWM Channel 2
				PWM Channel 3
				PWM Channel 4
				PWM Channel 5

Connections and optional external components

6 Connections and optional external components

6.1 Power connections (VDD)

The CYBT-213043-02 contains one power supply connection, VDD. VDD accepts a supply input of 1.71 V to 3.63 V. [Table 12](#) provides this specification. The maximum power supply ripple for this power connection is 100 mV, as shown in [Table 12](#).

6.2 External Reset (XRES)

The CYBT-213043-02 has an integrated power-on reset circuit which completely resets all circuits to a known power-on state. This action can also be invoked by an external reset signal, forcing it into a power-on reset state. XRES is an active-low input signal on the CYBT-213043-02 module (solder pad 3). The CYBT-213043-02 does not require external pull-up resistors on the XRES input. Refer to [Figure 10](#) for Power On and XRES operation and timing requirements during power on events.

6.3 HCI UART connections

The recommendations in this section apply to the HCI UART (Solder Pads 28, 29, 30, and 31). For full UART functionality, all UART signals must be connected to the Host device (CTS must be pulled high when power-on/reset). If full UART functionality is not being used, and only UART RXD and TXD are desired or capable, then the following connection considerations should be followed for UART RTS and CTS:

- UART RTS: Must be left floating.
- UART CTS: Must be pulled high when power-on/reset and be pulled low after application startup to bypass flow control and ensure that continuous data transfers are made from the host to the module.

Connections and optional external components

6.4 External component recommendation

6.4.1 Power supply circuitry

It is not required to place any power supply decoupling or noise reduction circuitry on the host PCB. If desired, an external ferrite bead between the supply and the module connection can be included. The ferrite bead should be positioned as close as possible to the module pad connection.

If used, the recommended ferrite bead value is 330 Ω, 100 MHz. (Murata BLM21PG331SN1D).

Figure 8 illustrates the CYBT-213043-02 schematic.

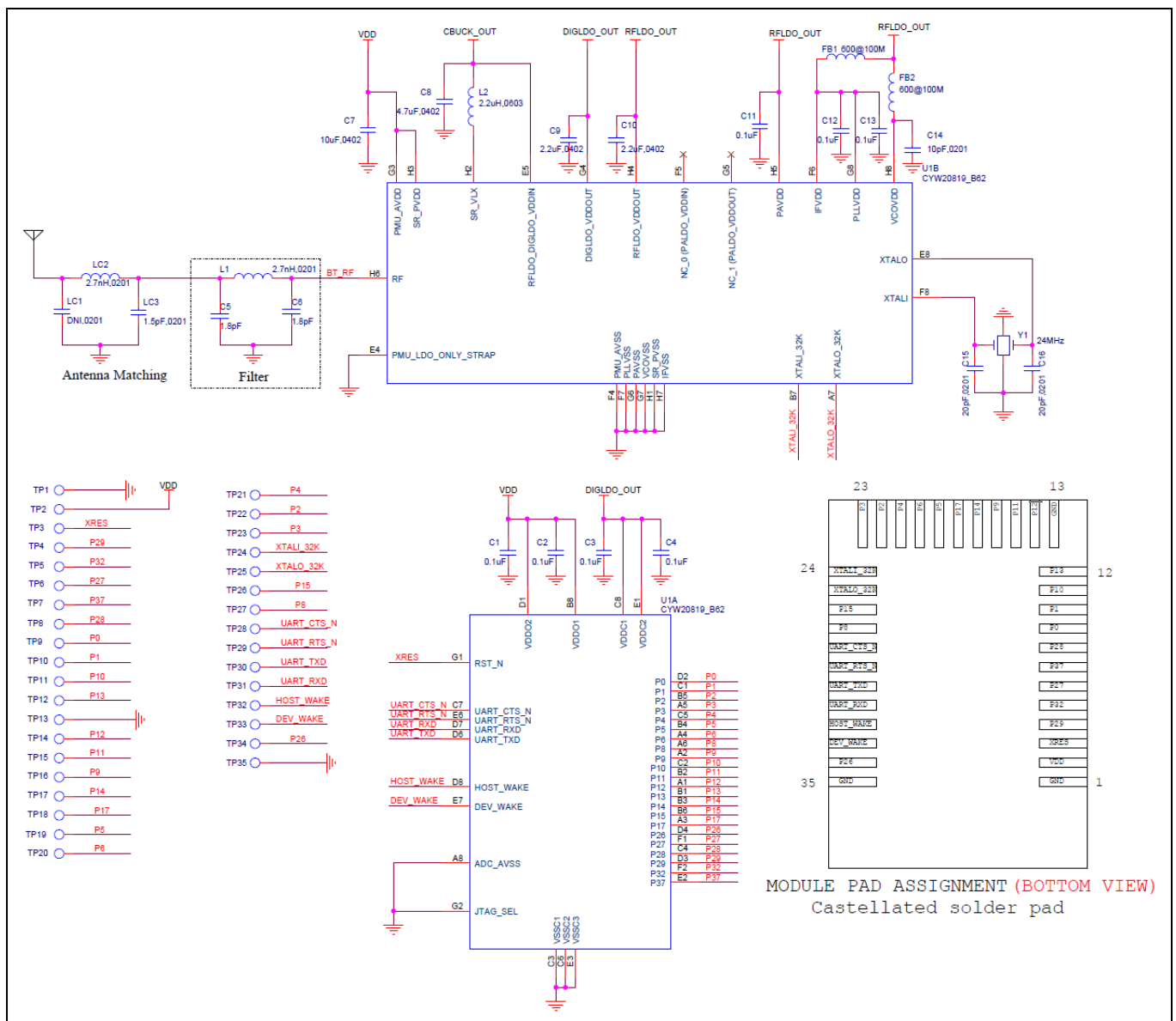


Figure 8 CYBT-213043-02 schematic diagram

Critical components list

7 Critical components list

Table 6 details the critical components used in the CYBT-213043-02 module.

Table 6 Critical component list

Component	Reference designator	Description
Silicon	U1	62-pin QFN Bluetooth® Silicon Device - CYW20819
Crystal	Y1	24.000 MHz, 12 pF

Antenna design

8 Antenna design

Table 7 details the PCB trace antenna used in the CYBT-213043-02 module.

Table 7 PCB Antenna specifications

Item	Description
Frequency Range	2400–2500 MHz
Peak Gain	–0.5 dBi typical
Return Loss	10 dB minimum

9 Bluetooth® Baseband Core

The Bluetooth® Baseband Core (BBC) implements all time-critical functions required for high-performance Bluetooth® operation. The BBC manages the buffering, segmentation, and routing of data for all connections. It prioritizes and schedules all RX/TX activities including adv, paging, scanning, and servicing of connections. In addition to these functions, it independently handles the host controller interface (HCI) including all commands, events, and data flowing over HCI. The core also handles symbol timing, forward error correction (FEC), header error control (HEC), cyclic redundancy check (CRC), authentication, data encryption/decryption, and data whitening/dewhitening.

Table 8 Bluetooth® features

Bluetooth® versions		
Bluetooth® 1.0	Bluetooth® 1.2	Bluetooth® 2.0
Basic Rate	Interlaced Scans	EDR 2 Mbps and 3 Mbps
SCO	Adaptive Frequency Hopping	–
Paging and Inquiry	eSCO	–
Page and Inquiry Scan	–	–
Sniff	–	–
Bluetooth® 2.1	Bluetooth® 3.0	Bluetooth® 4.0
Secure Simple Pairing	Unicast Connectionless Data	Bluetooth® Low Energy
Enhanced Inquiry Response	Enhanced Power Control	–
Sniff Subrating	eSCO	–
Bluetooth® 4.1	Bluetooth® 4.2	Bluetooth® 5.0
Low Duty Cycle Advertising	Data Packet Length Extension	LE 2 Mbps
Dual Mode	LE Secure Connection	Slot Availability Mask
LE Link Layer Topology	Link Layer Privacy	High Duty Cycle Advertising

10 Power Management Unit

Figure 9 shows the CYW20819 power management unit (PMU) block diagram. The CYW20819 includes an integrated buck regulator, a digital LDO for the digital core, and an RF LDO for the Radio. The PMU also includes a brownout detector which places the part in shutdown when input voltage is below a certain threshold.

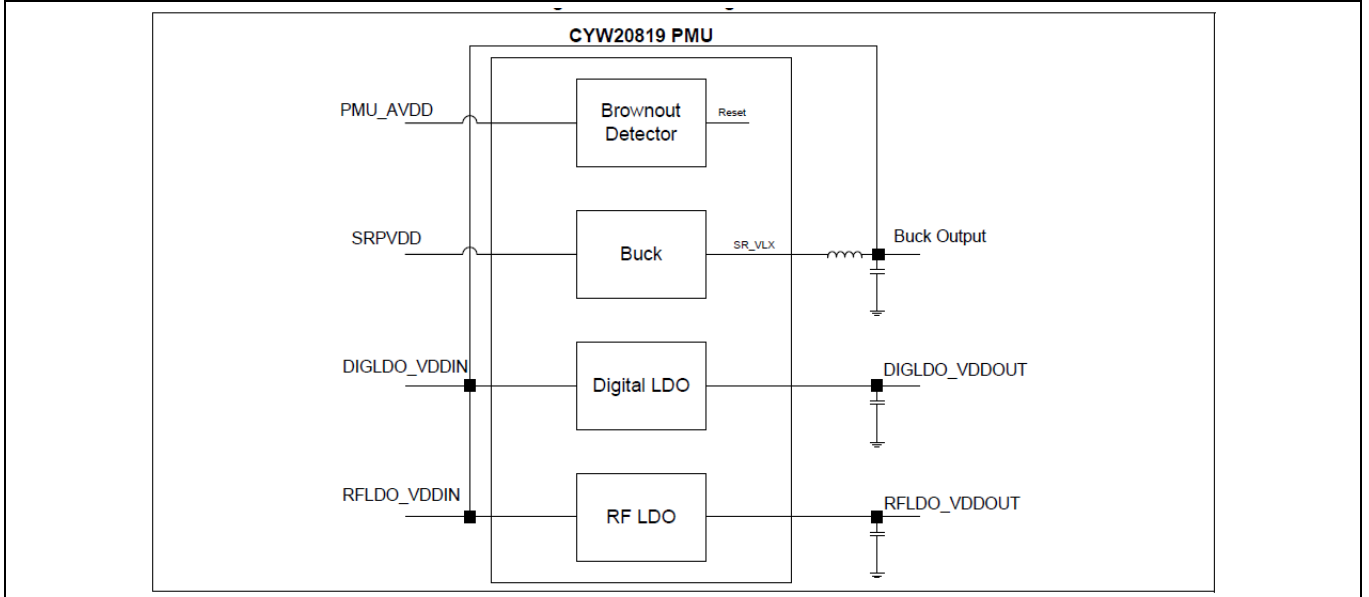


Figure 9 Default Usage Mode

Integrated radio transceiver

11 Integrated radio transceiver

The CYBT-213043-02 has an integrated radio transceiver that has been designed to provide low power operation in the globally available 2.4 GHz unlicensed ISM band.

11.1 Transmitter path

CYBT-213043-02 features a fully integrated transmitter. The baseband transmit data is GFSK modulated in the 2.4 GHz ISM band.

11.1.1 Digital modulator

The digital modulator performs the data modulation and filtering required for the GFSK signal. The fully digital modulator minimizes any frequency drift or anomalies in the modulation characteristics of the transmitted signal.

11.1.2 Power amplifier

The CYBT-213043-02 has an integrated power amplifier (PA) that can transmit up to +4 dBm for class 2 operation.

11.2 Receiver path

The receiver path uses a low IF scheme to downconvert the received signal for demodulation in the digital demodulator and bit synchronizer. The receiver path provides a high degree of linearity, and an extended dynamic range to ensure reliable operation in the noisy 2.4 GHz ISM band. The front-end topology, which has built-in out-of-band attenuation, enables the CYBT-213043-02 to be used in most applications without off-chip filtering.

11.2.1 Digital demodulator and bit synchronizer

The digital demodulator and bit synchronizer take the low-IF received signal and perform an optimal frequency tracking and bit synchronization algorithm.

11.2.2 Receiver signal strength indicator

The radio portion of the CYBT-213043-02 provides a receiver signal strength indicator (RSSI) to the baseband. This enables the controller to take part in a Bluetooth® power-controlled link by providing a metric of its own receiver signal strength to determine whether the transmitter should increase or decrease its output power.

11.3 Local oscillator

The local oscillator (LO) provides fast frequency hopping (1600 hops/second) across the band. The CYBT-213043-02 uses an internal loop filter.

12 Microcontroller unit

The CYBT-213043-02 includes a Cortex®-M4 processor with 1 MB of program ROM, 176 KB of RAM, and 256 KB of flash. The CM4 has a maximum speed of 96 MHz. The 256 KB of flash is supported by an 8 KB cache allowing direct code execution from flash at near maximum speed and low power consumption.

The CM4 runs all the BT layers as well as application code. The ROM includes LMAC, HCI, L2CAP, GATT, as well as other stack layers freeing up most of the flash for application usage. A standard serial wire debug (SWD) interface provides debugging support.

12.1 External reset

Figure 10 shows power on and reset timing of the CYBT-213043-02. After VBAT is applied and reset is inactive, the internal buck turns on, followed by the RF and Digital LDOs. Once the LDO outputs have stabilized, the PMU allows the digital core to come out of reset. As shown in the figure, external reset can be applied at any time subsequent to power up.

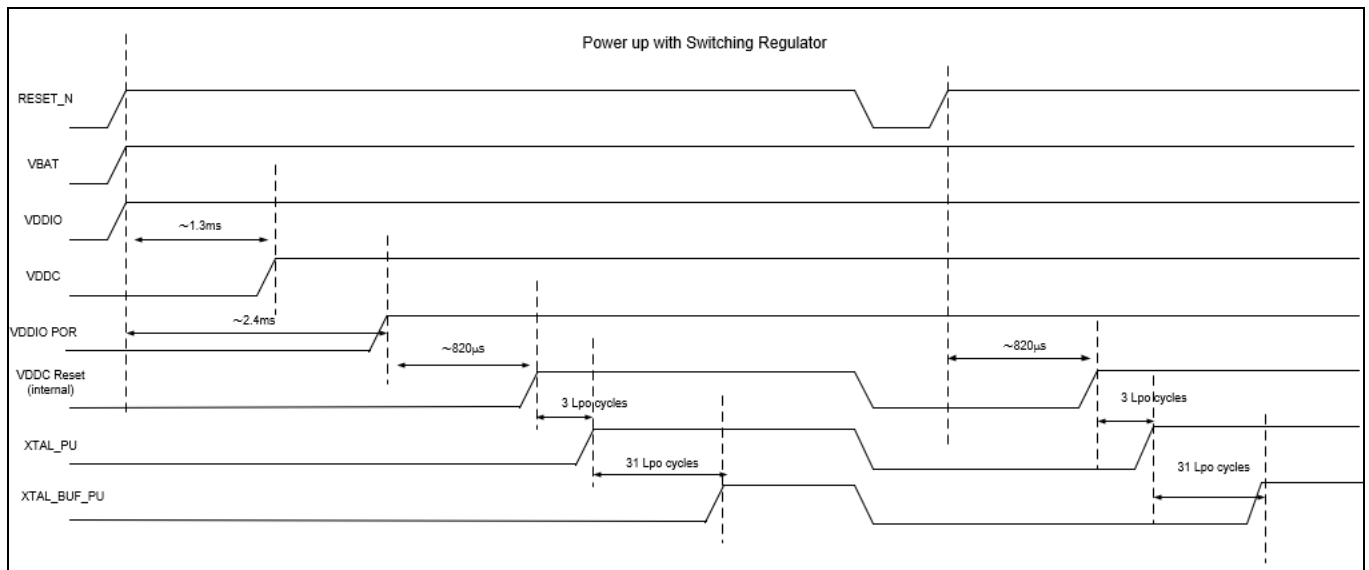


Figure 10 Reset Timing

12.2 32-kHz crystal oscillator

The CYBT-213043-02 includes connections for an external 32-kHz oscillator to provide accurate timing during low power operations. **Figure 11** shows the 32-kHz XTAL oscillator with external components and **Table 9** lists the oscillator characteristics. This oscillator can be operated with a 32 kHz or 32.768-kHz crystal oscillator or be driven with a clock input at similar frequency. The XTAL must have an accuracy of ± 250 ppm or better per the BT spec over temperature and including aging. The external component values should be: $R1 = 10\text{ M}\Omega$ and $C1 = C2 = 6\text{ pF}$. The values of $C1$ and $C2$ are used to fine-tune the oscillator. A XTAL meeting the $C1$ and $C2$ values should be used.

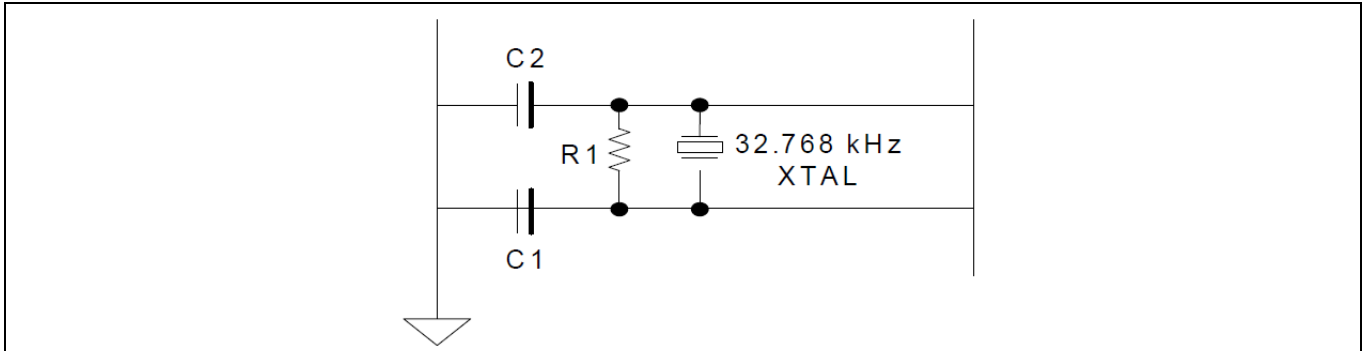


Figure 11 32 kHz Oscillator block diagram

Table 9 XTAL Oscillator characteristics

Parameter	Symbol	Conditions	Min	Typ	Max	Unit
Output frequency	F_{oscout}	–	–	32.768	–	kHz
Frequency tolerance	–	Over temperature and aging	–	–	250	ppm
XTAL drive level	P_{drv}	For crystal selection	–	–	0.5	μW
XTAL series resistance	R_{series}	For crystal selection	–	–	70	$\text{k}\Omega$
XTAL shunt capacitance	C_{shunt}	For crystal selection	–	–	2.2	pF
Load capacitance	C_l	For crystal selection	–	6	–	pF

Microcontroller unit

12.3 Power Modes

The CYBT-213043-02 support the following HW power modes are supported:

- **Active mode** - Normal operating mode in which all peripherals are available and the CPU is active.
- **Idle mode** - CPU is paused.
- **Sleep mode** - All system clocks are idle except for the LPO. The device can wake up either after a programmed period of time has expired or if an external event is received via one of the GPIOs. In Sleep mode, the CPU is in WFI (wait for interrupt) and the HCLK is not running. The PMU determines if the other clocks can be turned off and does accordingly. The state of the device is retained, the internal LDOs run at a lower voltage (voltage is managed by the PMU), and SRAM is retained.
- **Power Down Sleep (PDS) mode** - Radio powered down and digital core mostly powered down except for RAM, registers, and some core logic. CYBT-213043-02 can wake up either after a programmed period of time has expired or if an external event is received via one of the GPIO.
- **Extended PDS (ePDS)** - This is an extension of PDS Mode. In this mode, only the main RAM and ePDS control circuitry retains power. As in other modes, the CYBT-213043-02 can wake up either after a programmed period or upon receiving an external event.
- **HID-OFF (Deep Sleep) mode** - Core, radio, and regulators powered down. Only the GPIO domain is powered. In this mode, the CYBT-213043-02 can be woken up either by an external event on one of the GPIOs or after a programmed period of time has expired. The lowest power option for HID-Off mode is to wake by external event, allowing all clocking sources to remain off. If a timed wake HID-Off state is desired, this is accomplished by powering the external or internal LPO. Current consumption will increase slightly in timed wake HID-Off mode to account for the LPO power. After wakeup, the part will go through full FW initialization although it will retain enough information to determine that it came out of HID-Off and the event that caused the wake up.

Transition between power modes is handled by the on-chip firmware with host/application involvement. In general, ePDS is the most power-efficient mode for active use cases. HID-Off is preferable for non-connectable beacon use cases (long advertisement intervals).

12.4 Firmware

The CYBT-213043-02 ROM firmware runs on a real time operating system and handles the programming and configuration of all on-chip hardware functions as well as the BT/LE baseband, LM, HCI, GATT, ATT, L2CAP, and SDP layers. The ROM also includes drivers for on-chip peripherals as well as handling on-chip power management functions including transitions between different power modes. The ROM also supports OTA firmware update.

The CYBT-213043-02 is fully supported by the Infineon ModusToolbox™ IDE. ModusToolbox™ releases provide latest ROM patches, drivers, and sample applications allowing customized applications using the CYBT-213043-02 to be built quickly and efficiently.

12.5 Watchdog

CYBT-213043-02 includes an onboard watchdog with a period of approximately 4 seconds. The watchdog generates an interrupt to the Firmware after 2 seconds of inactivity and resets the device after 4 seconds.

12.6 Lockout functionality

The CYBT-213043-02 powers up with SWD access to flash and RAM is disabled. After reset, FW checks OCF for the presence of a security lockout field. If present, FW leaves SWD Flash and RAM access disabled and also blocks any HCI commands from reading the raw contents of the RAM or Flash. This provides an effective way of protection against tampering, dumping, probing, or reverse engineering of the user application stored in the on-chip flash. The only firmware upgrade path in this scenario is secure over-the-air (OTA) update. The security field can be programmed in the factory after all programming and testing has been done.

12.7 True Random Number Generator

The CYBT-213043-02 includes a hardware TRNG (True Random Number Generator). Applications can access the random number generator via firmware APIs.

13 Peripherals and Communication interfaces

13.1 I²C

The CYBT-213043-02 provides a 2-pin I²C master/slave interface to communicate with I²C compatible peripherals. The following transfer clock rates are supported:

- 100 kHz
- 400 kHz
- 800 kHz (Not a standard I²C-compatible speed)
- 1 MHz (Compatibility with high-speed I²C-compatible devices is not guaranteed)

The I²C compatible master is capable for doing read, write, write followed by read, and read followed by write operations where read/write can be up to 64 bytes.

SCL and SDA lines can be routed to any of the configurable GPIOs (as indicated in [Table 4](#)), allowing for flexible system configuration. When used as SCL/SDA the GPIOs go into open drain mode and require an external pull-up for proper operation. I²C does not support multimaster capability or flexible wait-state insertion by either master or slave devices.

13.2 HCI UART interface

CYBT-213043-02 includes a UART interface for factory programming as well as when operating as a BT HCI device in a system with an external host. The UART physical interface is a standard, 4-wire interface (RX, TX, RTS, and CTS) with adjustable baud rates from 115200 bps to 3 Mbps. Typical rates are 115200, 921600, 1500000, and 3,000,000 bps although intermediate speeds are also available. Support for changing the baud rate during normal HCI UART operation is included through a vendor-specific command. The CYBT-213043-02 UART operates correctly with the host UART as long as the combined baud rate error of the two devices is within $\pm 5\%$. The UART interface CYBT-213043-02 has a 1040-byte receive FIFO and a 1040-byte transmit FIFO to support enhanced data rates. The interface supports the Bluetooth® UART HCI (H4) specification. The default baud rate for H4 is 115.2 kbaud.

During HCI Mode, the DEV_WAKE signal can be programmed to wake up the CYBT-213043-02 or allow the CYBT-213043-02 to sleep when radio activities permit. The CYBT-213043-02 can also wake up the host as needed or allow the host to sleep via the HOST_WAKE signal. Combined, the two signals allow the host and the CYBT-213043-02 to optimize system power consumption by allowing independent control of low power modes. DEV_WAKE and HOST_WAKE signals can be enabled via a vendor-specific command.

The FW UART driver allows applications to select different baud rates.

13.3 Peripheral UART interface

The CYBT-213043-02 has a second UART that may be used to interface to peripherals. Functionally, the peripheral UART is the same as the HCI UART except for 256-byte TX/RX FIFOs. The peripheral UART is accessed through the I/O ports, which can be configured individually and separately for each functional pin. The CYBT-213043-02 can map the peripheral UART to any GPIO.

13.4 Serial Peripheral interface

The CYBT-213043-02 has two independent SPI interfaces. Both interfaces support single, dual, and Quad Mode SPI operations. Either interface can be a master or a slave. Each interface has a 64-byte transmit buffer and a 64-byte receive buffer. To support more flexibility for user applications, the CYBT-213043-02 has optional I/O ports that can be configured individually and separately for each functional pin.

SPI IO voltage depends on VDDO.

13.5 ADC Port

The CYBT-213043-02 includes a Σ - Δ ADC designed for audio and DC measurements. The ADC can measure the voltage on 15 GPIOs (P0, P1, P8–P15, P17, P28, P29, P32, P37). When used for analog inputs, the GPIOs must be placed in digital input disable mode to disconnect the digital circuit from the pin and avoid leakage. The internal bandgap reference has $\pm 5\%$ accuracy without calibration. Calibration and digital correction schemes can be applied to reduce ADC absolute error and improve measurement accuracy in Direct Current (DC) Mode.

The application can access the ADC through the ADC driver included in the firmware.

The following CYBT-213043-02 module solder pads can be used as ADC inputs:

- Pad 4: P29, ADC Input Channel 10
- Pad 5: P32, ADC Input Channel 7
- Pad 7: P37, ADC Input Channel 2
- Pad 8: P28, ADC Input Channel 11
- Pad 9: P0, ADC Input Channel 29
- Pad 10: P13, ADC Input Channels 28
- Pad 11: P10, ADC Input Channel 25
- Pad 12: P13, ADC Input Channel 22
- Pad 14: P12, ADC Input Channel 23
- Pad 15: P11, ADC Input Channels 24
- Pad 16: P9, ADC Input Channels 26
- Pad 17: P14, ADC Input Channels 21
- Pad 18: P17, ADC Input Channels 18
- Pad 26: P15, ADC Input Channels 20
- Pad 27: P8, ADC Input Channels 27

13.6 GPIO port

The CYBT-213043-02 has a maximum of 22 GPIOs. All GPIOs support the following:

- Programmable pull-up/down of approximately 45 k Ω .
- Input disable mode, allowing pins to be left floating or analog signals connected without risk of leakage.
- Source/sink 8 mA at 3.3 V and 4 mA at 1.8 V.
- P26/P27/P28/P29 can sink/source 16 mA at 3.3 V and 8 mA at 1.8 V.

Most peripheral functions can be assigned to any GPIO using the ModusToolbox™ Device Configurator. For details on the functions that are assignable via the ModusToolbox™ Device Configurator, refer to [Table 5](#).

The following list details the GPIOs that are available on the CYBT-213043-02 module:

- P0–P6, P8–P15, P17, P26–P29, P32, and P37

13.7 PWM

The CYBT-213043-02 has six internal PWMs, labeled PWM0–5. The PWM module consists of the following:

- Each of the six PWM channels contains the following registers:
 - 16-bit initial value register (read/write)
 - 16-bit toggle register (read/write)
 - 16-bit PWM counter value register (read)
- PWM configuration register shared among PWM0–5 (read/write). This 18-bit register is used:
 - To configure each PWM channel
 - To select the clock of each PWM channel
 - To change the phase of each PWM channel

The application can access the PWM module through the FW driver.

Figure 12 shows the structure of one PWM channel.

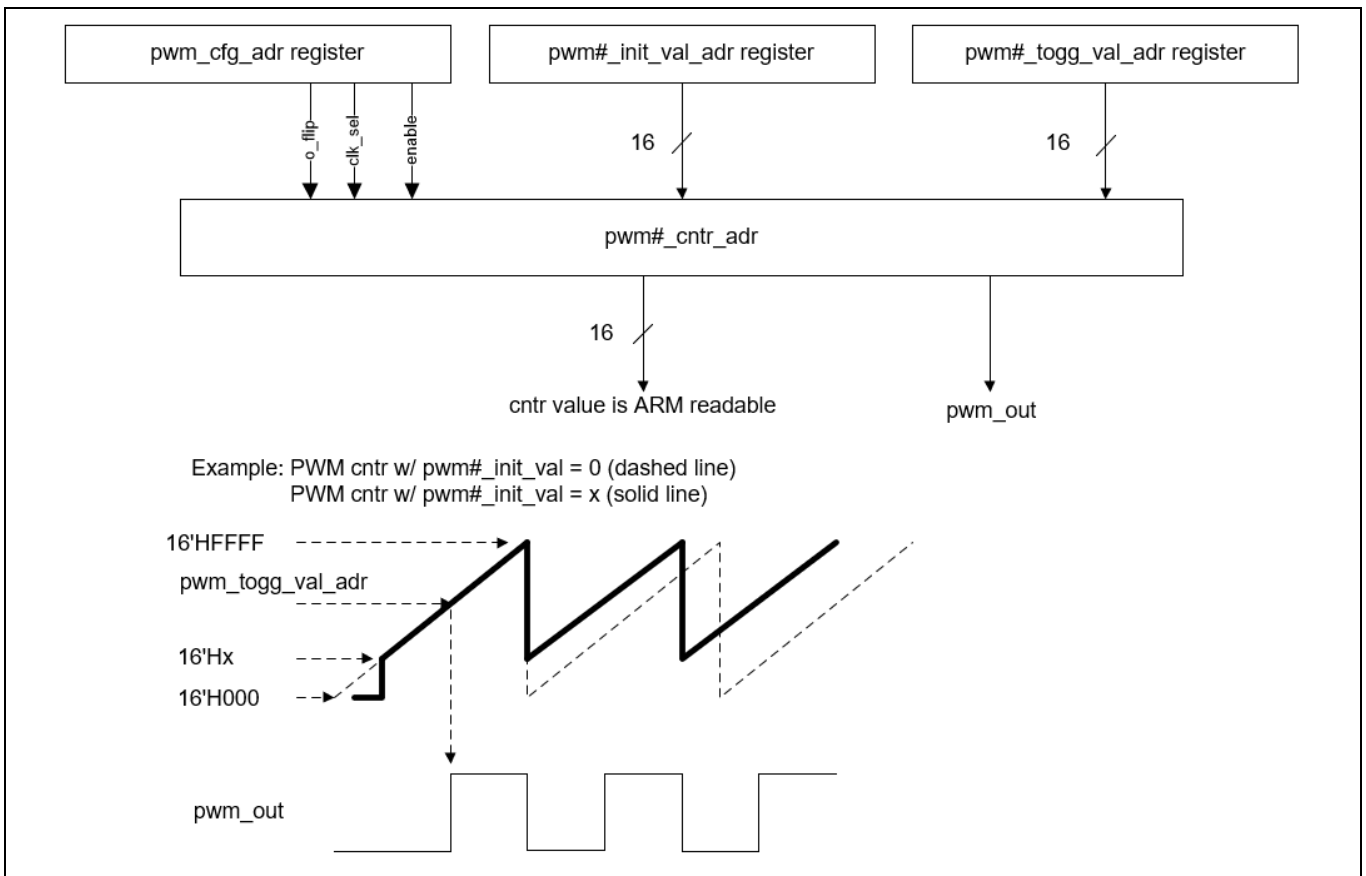


Figure 12 PWM block diagram

13.8 PDM microphone

The CYBT-213043-02 accepts a $\Sigma\Delta$ -based one-bit pulse density modulation (PDM) input stream and outputs filtered samples at either 8 kHz or 16 kHz sampling rates. The PDM signal derives from an external kit that can process analog microphone signals and generate digital signals. The PDM input shares the filter path with the auxADC. Two types of data rates can be supported:

- 8 kHz
- 16 kHz

The external digital microphone takes in a 2.4-MHz clock generated by the CYBT-213043-02 and outputs a PDM signal, which is registered by the PDM interface with either the rising or falling edge of the 2.4-MHz clock selectable through a programmable control bit. The design can accommodate two simultaneous PDM input channels, so stereo voice is possible.

13.9 I²S interface

The CYBT-213043-02 supports a single I²S digital audio port, with both master and slave modes. The I²S signals are:

- I²S Clock: I²S SCK
- I²S Word Select: I²S WS
- I²S Data Out: I²S DO
- I²S Data In: I²S DI

I²S SCK and I²S WS become outputs in master mode and inputs in slave mode, while I²S DO always stays as an output. The channel word length is 16 bits and the data is justified so that the MSB of the left-channel data is aligned with the MSB of the I²S bus, per I²S Specifications. The MSB of each data word is transmitted one bit clock cycle after the I²S WS transition, synchronous with the falling edge of bit clock. Left Channel data is transmitted when I²S WS is low, and right-channel data is transmitted when I²S WS is high. Data bits sent by the CYBT-213043-02 are synchronized with the falling edge of I²S SCK and should be sampled by the receiver on the rising edge of the I²S SCK.

The clock rate in master mode is either one of the following:

- 32 kHz × 32 bits per frame = 1024 kHz
- 32 kHz × 50 bits per frame = 1600 kHz

The master clock is generated from the reference clock using an N/M clock divider. In the slave mode, any clock rate is supported up to a maximum of 3.072 MHz.

Note: The PCM interface shares HW with the I²S interface and only one can be used at a given time.

13.10 PCM interface

The CYBT-213043-02 includes a PCM interface that can connect to linear PCM codec devices in master or slave mode. In master mode, the CYBT-213043-02 generates the PCM_CLK and PCM_SYNC signals. In slave mode, these signals are provided by another master on the PCM interface and are inputs to the CYBT-213043-02. The configuration of the PCM interface may be adjusted by the host through the use of vendor-specific HCI commands.

Note: The PCM interface shares HW with the I²S interface and only one can be used at a given time.

Note: Only audio source (other than SCO) use cases are supported on 20819 at this time.

13.10.1 Slot mapping

The CYBT-213043-02 supports up to three simultaneous full-duplex channels through the PCM interface. These three channels are time-multiplexed onto the single PCM interface by using a time-slotting scheme where the 8 kHz or 16 kHz audio sample interval is divided into as many as 16 slots. The number of slots is dependent on the selected interface rate (128 kHz, 512 kHz, or 1024 kHz). The corresponding number of slots for these interface rates is 1, 2, 4, 8, and 16, respectively. The PCM data output driver tristates its output on unused slots to allow other devices to share the same PCM interface signals. The data output driver tristates its output after the falling edge of the PCM clock during the last bit of the slot.

13.10.2 Frame synchronization

The CYBT-213043-02 supports both short- and long-frame synchronization in both master and slave modes. In short frame synchronization mode, the frame synchronization signal is an active-high pulse at the audio frame rate that is a single-bit period in width and is synchronized to the rising edge of the bit clock. The PCGM slave looks for a high on the falling edge of the bit clock and expects the first bit of the first slot to start at the next rising edge of the clock. In long-frame synchronization mode, the frame synchronization signal is again an active-high pulse at the audio frame rate; however, the duration is three bit periods and the pulse starts coincident with the first bit of the first slot.

13.10.3 Data formatting

The CYBT-213043-02 may be configured to generate and accept several different data formats. For conventional narrow band speech mode, the CYBT-213043-02 uses 13 of the 16 bits in each PCM frame. The location and order of these 13 bits can be configured to support various data formats on the PCM interface. The remaining three bits are ignored on the input and may be filled with 0s, 1s, a sign bit, or a programmed value on the output. The default format is 13-bit 2's complement data, left justified, and clocked MSB first.

14 Electrical characteristics

The absolute maximum ratings in **Table 10** indicate levels where permanent damage to the device can occur, even if these limits are exceeded for only a brief duration. Functional operation is not guaranteed under these conditions. Operation at absolute maximum conditions for extended periods can adversely affect long-term reliability of the device.

Table 10 Silicon absolute maximum ratings

Requirement parameter	Specification			Unit
	Min	Nom	Max	
Maximum Junction Temperature	–	–	125	°C
VDDO1/VDDO2	–0.5	–	3.45	V
IFVDD/PLLVDD/VCOVDD/VDDC	–0.5	–	1.38	V
PMUAVDD/SR_PVDD	–0.5	–	3.45	V
DIGLDO_VDDIN	–0.5	–	1.65	V
RFLDO_VDDIN	–0.5	–	1.65	V
MIC_AVDD	–0.5	–	3.45	V

Table 11 ESD/Latch-up

Requirement parameter	Specification			Unit
	Min	Nom	Max	
ESD Tolerance HBM (Silicon)	–2000	–	2000	V
ESD Tolerance CDM (Silicon)	–500	–	500	V
Latch-up	–	200	–	mA

Table 12 Power supply specifications

Parameter	Conditions	Min	Typ	Max	Unit
VDD input	Module Input	1.71	3.0	3.3	V
VDD Ripple	Module Input Ripple (VDD)	–	–	100	mV
VBAT Input	Internal to Module (not accessible)	1.90	3.0	3.3	V
PMU turn-on time	VBAT is ready.	–	–	300	µs

Table 13 Shutdown voltage (Brown Out)

Parameter	Specification			Unit
	Min	Typ	Max	
V _{SHUT}	1.54	1.62	1.7	V

The CYBT-213043-02 uses an onboard low voltage detector to shut down the device when supply voltage (VBAT) drops below the operating range.

Electrical characteristics

14.1 Current consumption

Table 14 provides the current consumption measurements taken at the input of LDOIN and VDDIO combined (LDOIN = VDDIO = 3.0 V).

Table 14 Current consumption

Operational mode	Conditions	Typical	Unit
HCI	48 MHz with Pause	1.3	mA
	48 MHz without Pause	2.55	
RX	Continuous RX	5.9	
TX	Continuous TX - 4 dBm	5.8	
PDS	–	16.5	μA
ePDS	All RAM retained	8.7	
HID-Off (SDS)	32 kHz XTAL on	1.75	

14.2 Silicon Core Buck Regulator
Table 15 Core Buck Regulator

Parameter	Conditions	Min	Typ	Max	Unit
Input Supply, VBAT	DC Range	1.71	3.0	3.3	V
Output Current	Active Mode	–	< 60	100	mA
	PDS Mode	–	< 60	70	
Output Voltage	Active Mode	1.1	1.26	1.4	V
	PDS Mode, 40 mV min regulation window.	0.76	0.94 Avg (0.92–0.96)	1.4	
Output Voltage Accuracy	Active Mode, includes line and load regulation. Before trim: After trim:	–4	–	+4	%
		–2	–	+2	%
Ripple Voltage	Active Mode 2.2 μH ± 25% inductor, DCR = 114 mΩ ± 20% 4.7 μF ± 10% capacitor, Total ESR < 20 mΩ	–	3	–	mV
	PDS Mode	40	40	–	
Output Inductor, L	Components are included on module.	1.6 ^[3]	2.2	–	μH
Output Capacitor, C _{OUT}		3.0 ^[3]	4.7	–	μF
Input Capacitor, C _{IN}		4.0 ^[3]	10	–	
Input Supply Voltage Ramp Time	0 to 3.3 V	40	–	–	μs

Note

3. Minimum values represent minimums after derating due to tolerance, temperature, and voltage effects.

Electrical characteristics

14.3 Digital LDO
Table 16 Digital LDO

Parameter	Condition	Min	Typ	Max	Unit
Input Supply, DIGLDO_VDDIN	Min must be met for correct operation	$V_{OUT} + 20 \text{ mV}$	1.26	1.4	V
Output Voltage, DIGLDO_VDDOUT	Range	0.9	1.2	1.275	
	Step	-	25	-	mV
	Accuracy after trimming	-2	-	+2	%
Dropout Voltage	At max load current	-	-	20	mV
Output Current	DC Load	0.075	40	60	mA
Quiescent Current	At $T \leq 85^\circ\text{C}$, $V_{IN} = 1.4 \text{ V}$	-	-	40	μA
Output Load Capacitor, C_{OUT}	Total trace + cap ESR must be $< 80 \text{ m}\Omega$	1.55 ^[4]	2.2	-	μF
Line Regulation	$1.235 \text{ V} \leq V_{IN} \leq 1.4 \text{ V}$	-	5	10	mV/V
Load Regulation	$V_{OUT} = 1.2 \text{ V}$, $V_{IN} = 1.26 \text{ V}$, $1 \text{ mA} \leq I_{OUT} \leq 25 \text{ mA}$	-	-	0.44	mV/mA
Load Step Error	I_{OUT} step $1 \text{ mA} \leftrightarrow 20 \text{ mA}$ @ $1 \mu\text{s}$ rise/fall, $C_{OUT} = 2.2 \mu\text{F}$, $V_{IN} = 1.235 \text{ V}$, $V_{OUT} = 1.2 \text{ V}$	-24	-	+24	mV
Leakage Current	Power down Mode, $V_{IN} = 1.4 \text{ V}$, Temp = 25°C	-	-	50	nA
	Power down Mode, $V_{IN} = 1.4 \text{ V}$, Temp = 125°C	-	-	2	μA
In-rush Current	$C_{OUT} = 2.2 \mu\text{F}$, $V_{IN} = 1.4 \text{ V}$, $V_{OUT} = 1.2 \text{ V}$	-	-	100	mA
LDO Turn On Time	$C_{OUT} = 2.2 \mu\text{F}$, $V_{IN} = 1.4 \text{ V}$, $V_{OUT} = 1.2 \text{ V}$, $I_{OUT} = 20 \text{ mA}$	-	-	120	μs
PSRR	$C_{OUT} = 2.2 \mu\text{F}$, $1.235 \text{ V} \leq V_{IN} \leq 1.4 \text{ V}$, $V_{OUT} = 1.2 \text{ V}$, $I_{OUT} = 20 \text{ mA}$				
	$f = 1 \text{ kHz}$	25	-	-	dB
	$f = 100 \text{ kHz}$	13	-	-	dB

Note

4. Minimum values represent minimums after derating due to tolerance, temperature, and voltage effects.

Electrical characteristics

14.4 RF LDO
Table 17 RF LDO

Parameter	Conditions	Min	Typ	Max	Unit
Input Supply, RFLDO_VDDIN	Min must be met for correct operation	$V_{OUT} + 20 \text{ mV}$	1.26	1.4	V
Output Voltage, RFLDO_VDDOUT	Range	1.1	1.2	1.275	
	Step	-	25	-	mV
	Accuracy after trimming	-2	-	+2	%
Dropout Voltage	At max load current	-	-	20	mV
Output Current	DC Load	0.075	20	60	mA
Quiescent Current	At $T \leq 85^\circ\text{C}$, $V_{IN} = 1.4 \text{ V}$	-	-	40	μA
Output Load Capacitor, C_{OUT}	Total trace + cap ESR must be $< 80 \text{ m}\Omega$	1.55 ^[4]	2.2	-	μF
Line Regulation	$1.235 \text{ V} \leq V_{IN} \leq 1.4 \text{ V}$	-	5	10	mV/V
Load Regulation	$V_{OUT} = 1.2 \text{ V}$, $V_{IN} = 1.26 \text{ V}$, $1 \text{ mA} \leq I_{OUT} \leq 25 \text{ mA}$	-	-	0.44	mV/mA
Load Step Error	I_{OUT} step $1 \text{ mA} \leftrightarrow 20 \text{ mA}$ @ $1 \mu\text{s}$ rise/fall, $C_{OUT} = 2.2 \mu\text{F}$, $V_{IN} = 1.235 \text{ V}$, $V_{OUT} = 1.2 \text{ V}$	-24	-	+24	mV
Leakage Current	Power down Mode, $V_{IN} = 1.4 \text{ V}$, Temp = 25°C	-	-	50	nA
	Power down Mode, $V_{IN} = 1.4 \text{ V}$, Temp = 125°C	-	-	2	μA
In-rush Current	$C_{OUT} = 2.2 \mu\text{F}$, $V_{IN} = 1.4 \text{ V}$, $V_{OUT} = 1.2 \text{ V}$	-	-	100	mA
LDO Turn On Time	$C_{OUT} = 2.2 \mu\text{F}$, $V_{IN} = 1.4 \text{ V}$, $V_{OUT} = 1.2 \text{ V}$, $I_{OUT} = 20 \text{ mA}$	-	-	120	μs
PSRR	$C_{OUT} = 2.2 \mu\text{F}$, $1.235 \text{ V} \leq V_{IN} \leq 1.4 \text{ V}$, $V_{OUT} = 1.2 \text{ V}$, $I_{OUT} = 20 \text{ mA}$				
	$f = 1 \text{ kHz}$	25	-	-	dB
	$f = 100 \text{ kHz}$	13	-	-	dB
Noise	$C_{OUT} = 2.2 \mu\text{F}$, $V_{IN} = 1.235 \text{ V}$, $V_{OUT} = 1.2 \text{ V}$, $I_{OUT} = 20 \text{ mA}$				
	$f = 30 \text{ kHz}$	-	-	80	$\text{nV}/\sqrt{\text{Hz}}$
	$f = 100 \text{ kHz}$	-	-	70	$\text{nV}/\sqrt{\text{Hz}}$

Electrical characteristics

14.5 Digital I/O characteristics

Table 18 Digital I/O characteristics

Characteristics	Symbol	Min	Typ	Max	Unit
Input low voltage (VDD = 3 V)	V_{IL}	–	–	0.8	V
Input high voltage (VDD = 3 V)	V_{IH}	2.4	–	–	V
Input low voltage (VDD = 1.8 V)	V_{IL}	–	–	0.4	V
Input high voltage (VDD = 1.8 V)	V_{IH}	1.4	–	–	V
Output low voltage	V_{OL}	–	–	0.4	V
Output high voltage	V_{OH}	VDDO – 0.4 V	–	–	V
Input low current	I_{IL}	–	–	1.0	μA
Input high current	I_{IH}	–	–	1.0	μA
Output low current (VDD = 3 V, V_{OL} = 0.4 V)	I_{OL}	–	–	4.0	mA
Output low current (VDD = 3 V, V_{OL} = 1.8 V)	I_{OL}	–	–	2.0	mA
Output high current (VDD = 3 V, V_{OH} = 2.6 V)	I_{OH}	–	–	8.0	mA
Output high current (VDD = 1.8 V, V_{OH} = 1.4 V)	I_{OH}	–	–	4.0	mA
Input capacitance	C_{IN}	–	–	0.4	pF

Electrical characteristics

14.6 ADC characteristics
Table 19 Electrical characteristics

Parameter	Symbol	Conditions/Comments	Min	Typ	Max	Unit
Current consumption	I_{TOT}	–	–	2	3	mA
Power down current	–	At room temperature	–	1	–	μ A
ADC Core specification						
ADC reference voltage	VREF	From BG with $\pm 3\%$ accuracy	–	0.85	–	V
ADC sampling clock	–	–	–	12	–	MHz
Absolute error	–	Includes gain error, offset and distortion. Without factory calibration.	–	–	5	%
		Includes gain error, offset and distortion. After factory calibration.	–	–	2	%
ENOB	–	For audio application	12	13	–	Bit
		For static measurement	10	–	–	
ADC input full scale	FS	For audio application	–	1.6	–	
		For static measurement	1.8	–	3.6	
Conversion rate	–	For audio application	8	16	–	kHz
		For static measurement	50	100	–	
Signal bandwidth	–	For audio application	20	–	8K	Hz
		For static measurement	–	DC	–	
Input impedance	R_{IN}	For audio application	10	–	–	k Ω
		For static measurement	500	–	–	
Startup time	–	For audio application	–	10	–	ms
		For static measurement	–	20	–	

Electrical characteristics

Table 19 Electrical characteristics (continued)

Parameter	Symbol	Conditions/Comments	Min	Typ	Max	Unit
MIC PGA specifications						
MIC PGA gain range	–	–	0	–	42	dB
MIC PGA gain step	–	–	–	1	–	dB
MIC PGA gain error	–	Includes part-to-part gain variation	–1	–	1	dB
PGA input referred noise	–	At 42 dB PGA gain A-weighted	–	–	4	μV
Passband gain flatness	–	PGA and ADC, 100 Hz–4 kHz	–0.5	–	0.5	dB
MIC Bias specifications						
MIC bias output voltage	–	At 2.5-V supply	–	2.1	–	V
MIC bias loading current	–	–	–	–	3	mA
MIC bias noise	–	Refers to PGA input 20 Hz to 8 kHz, A-weighted	–	–	3	μV
MIC bias PSRR	–	at 1 kHz	40	–	–	dB
ADC SNR	–	A-weighted 0 dB PGA gain	78	–	–	dB
ADC THD + N	–	–3 dBFS input 0 dB PGA gain	74	–	–	dB
GPIO input voltage		Always lower than avddBAT	–	–	3.6	V
GPIO source impedance ^[5]		Resistance	–	–	1	kΩ
		Capacitance	–	–	10	pF

Note

5. Conditional requirement for the measurement time of 10 μs. Relaxed with longer measurement time for each GPIO input channel.

15 Chipset RF specifications

Table 20, **Table 21**, **Table 22**, and **Table 23** apply to single-ended industrial temperatures. Unused inputs are left open.

Table 20 BR/EDR - Receiver RF specifications

Parameter	Mode and Conditions	Min	Typ	Max	Unit
Receiver section					
Frequency range	–	2402	–	2480	MHz
RX sensitivity	GFSK, BR GFSK 0.1% BER, 1 Mbps	–	–92 ^[6]	–	dBm
	EDR 2M	–	–93.5	–	
	EDR 3M	–	–87	–	dB
Maximum input	–	–20	–	–	dBm
Interference performance					
C/I cochannel	GFSK, BR GFSK 0.1% BER ^[7]	–	–	11.0	dB
C/I 1 MHz adjacent channel	GFSK, BR GFSK 0.1% BER ^[7]	–	–	0.0	
C/I 2 MHz adjacent channel	GFSK, BR GFSK 0.1% BER ^[7]	–	–	–30.0	
C/I ≥ 3 MHz adjacent channel	GFSK, BR GFSK 0.1% BER ^[7]	–	–	–40.0	
C/I image channel	GFSK, BR GFSK 0.1% BER ^[7]	–	–	–9.0	
C/I 1 MHz adjacent to image channel	GFSK, BR GFSK 0.1% BER ^[7]	–	–	–20.0	
Out-of-Band blocking performance (CW)^[8]					
30 MHz to 2000 MHz	BR GFSK 0.1% BER	–	–10.0	–	dBm
2000 MHz to 2399 MHz	BR GFSK 0.1% BER	–	–27	–	
2498 MHz to 3000 MHz	BR GFSK 0.1% BER	–	–27	–	
3000 MHz to 12.75 GHz	BR GFSK 0.1% BER	–	–10.0	–	
Intermodulation performance^[7]					
BT, interferer signal level	BR GFSK 0.1% BER	–	–	–39.0	dBm
Spurious emissions					
30 MHz to 1 GHz	–	–	–	–57.0	dBm
1 GHz to 12.75 GHz	–	–	–	–55.0	

Notes

6. The receiver sensitivity is measured at BER of 0.1% on the device interface with dirty TX Off.
7. Desired signal is 10 dB above the reference sensitivity level (defined as –70 dBm).
8. Desired signal is 3 dB above the reference sensitivity level (defined as –70 dBm).

Chipset RF specifications

Table 21 BR/EDR - Transmitter RF specifications

Parameter	Min	Typ	Max	Unit
Transmitter section				
Frequency range	2402	–	2480	MHz
Class 2: BR TX power	–	4.0	–	dBm
Class 2: EDR 2M and 3M TX power	–	0	–	
20 dB bandwidth	–	930	1000	kHz
Adjacent channel power				
$ M - N = 2$	–	–	–20	dBm
$ M - N \geq 3$ ^[9]	–	–	–40	
Out-of-Band spurious emission				
30 MHz to 1 GHz	–	–	–36.0	dBm
1 GHz to 12.75 GHz	–	–	–30.0	
1.8 GHz to 1.9 GHz	–	–	–47.0	
5.15 GHz to 5.3 GHz	–	–	–47.0	
LO performance				
Initial carrier frequency tolerance	–75	–	+75	kHz
Frequency drift				
DH1 packet	–25	–	+25	kHz
DH3 packet	–40	–	+40	
DH5 packet	–40	–	+40	
Drift rate	–20	–	+20	kHz/50 μ s
Frequency deviation				
Average deviation in payload (sequence used is 00001111)	140	–	175	kHz
Maximum deviation in payload (sequence used is 10101010)	115	–	–	
Channel spacing	–	1	–	MHz

Note

9. Meets SIG specification.

Chipset RF specifications

Table 22 Bluetooth® LE RF specifications

Parameter	Conditions	Min	Typ	Max	Unit
Frequency range	N/A	2402	–	2480	MHz
RX sensitivity ^[10]	GFSK, BDR GFSK 0.1% BER 0.1% BER, 1 Mbps	–	–95	–	dBm
TX power	N/A	–	4.0	–	
Mod Char: Delta F1 average	N/A	225	255	275	kHz
Mod Char: Delta F2 max ^[11]	N/A	99.9	–	–	%
Mod Char: Ratio	N/A	0.8	–	–	%

Table 23 BLE2 RF specifications

Parameter	Conditions	Min	Typ	Max	Unit
RX sensitivity ^[12]	–	–	–89	–	dBm
TX power	–	–	4.0	–	

Notes

10.Dirty TX is Off.

11.At least 99.9% of all delta F2 max frequency values recorded over 10 packets must be greater than 185 kHz.

12.255 byte packet.

16 Timing and AC characteristics

In this section, use the numbers listed in the **Reference** column of each table to interpret the following timing diagrams.

16.1 UART Timing

Table 24 UART Timing specifications

Reference	Characteristics	Min	Typ	Max	Unit
1	Delay time, UART_CTS_N low to UART_TXD valid.	-	-	1.50	Bit periods
2	Setup time, UART_CTS_N high before midpoint of stop bit.	-	-	0.67	Bit periods
3	Delay time, midpoint of stop bit to UART_RTS_N high.	-	-	1.33	Bit periods

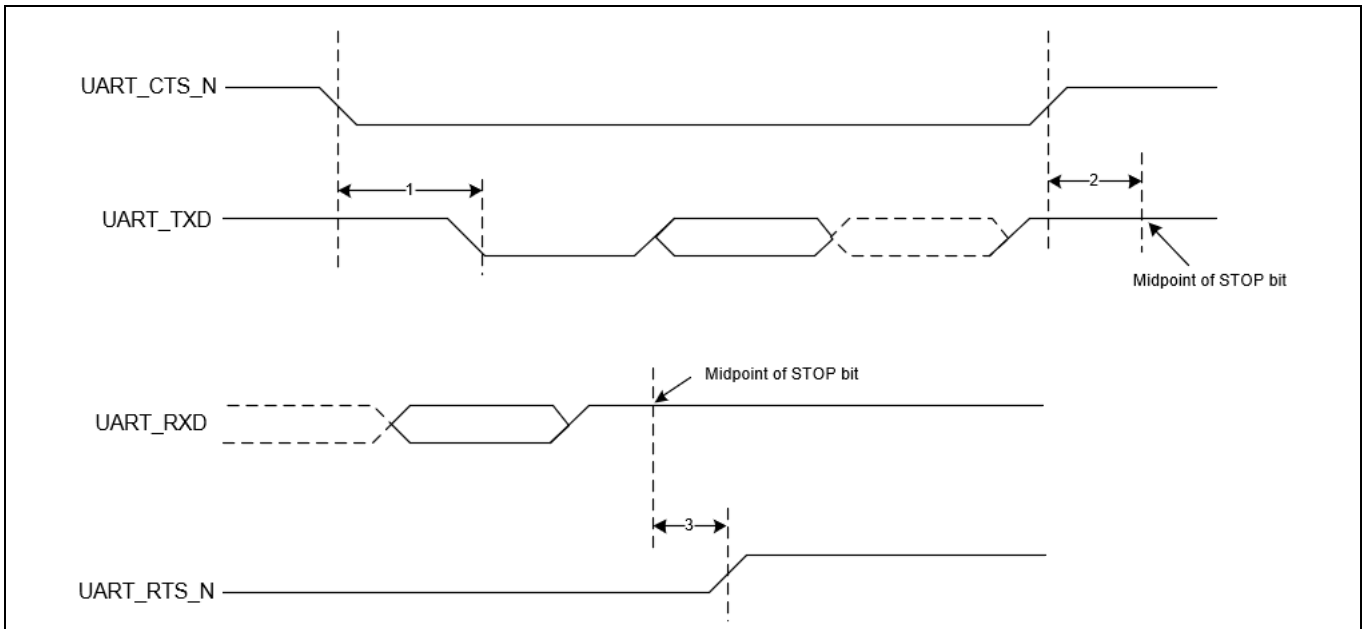


Figure 13 UART Timing

Timing and AC characteristics

16.2 SPI Timing

The SPI interface can be clocked up to 24 MHz.

Table 25 and **Figure 14** show the timing requirements when operating in SPI Mode 0 and 2.

Table 25 SPI Mode 0 and 2

Reference	Characteristics	Min	Max	Unit
1	Time from master assert SPI_CSN to first clock edge	45	-	ns
2	Setup time for MOSI data lines	6	3/4 SCK	
3	Idle time between subsequent SPI transactions	1 SCK	-	

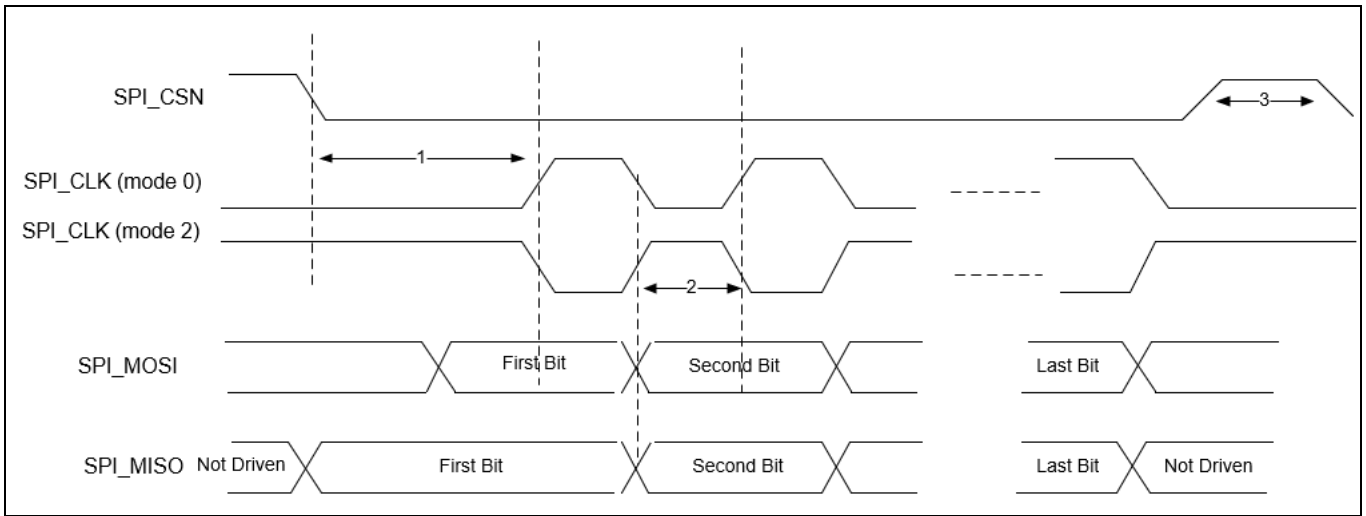


Figure 14 SPI Timing, Mode 0 and 2

Timing and AC characteristics

Table 26 and **Figure 15** show the timing requirements when operating in SPI Mode 1 and 3.

Table 26 SPI Mode 1 and 3

Reference	Characteristics	Min	Max	Unit
1	Time from master assert SPI_CSN to first clock edge	45	–	ns
2	Setup time for MOSI data lines	6	¾ SCK	
3	Idle time between subsequent SPI transactions	1 SCK	–	

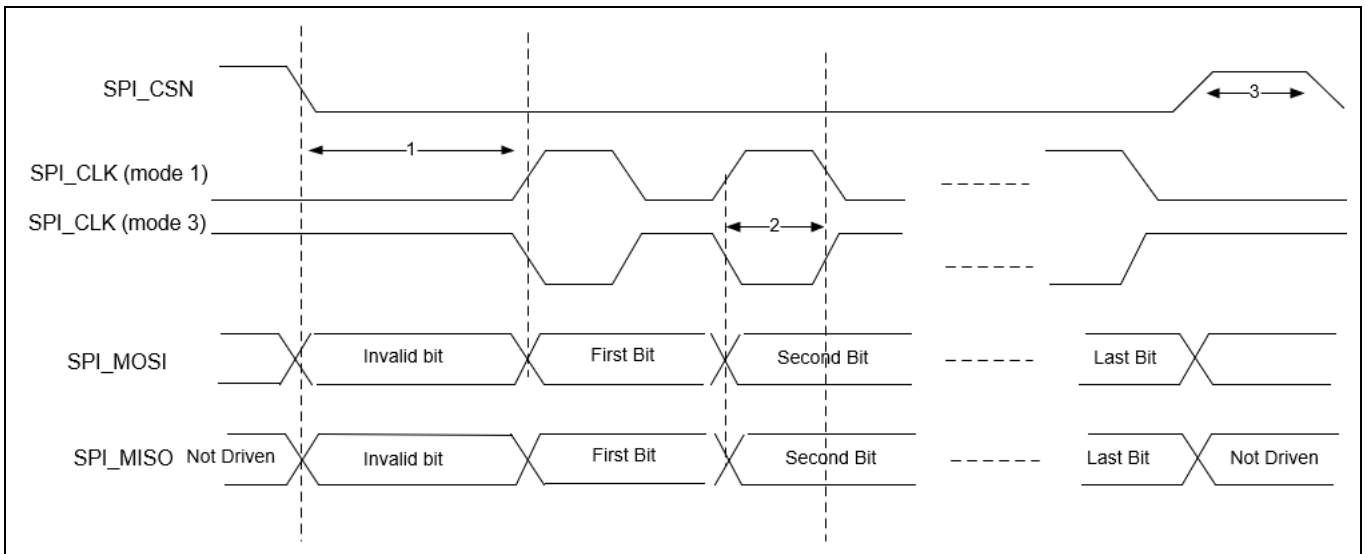


Figure 15 SPI Timing, Mode 1 and 3

16.3 I²C Compatible Interface Timing

The specifications in [Table 27](#) references [Figure 16](#).

Table 27 I²C Interface Timing specifications (up to 1 MHz)

Reference	Characteristics	Min	Max	Unit
1	Clock frequency	-	100	kHz
			400	
			800	
			1000	
2	START condition setup time	650	-	ns
3	START condition hold time	280	-	
4	Clock low time	650	-	
5	Clock high time	280	-	
6	Data input hold time ^[13]	0	-	
7	Data input setup time	100	-	
8	STOP condition setup time	280	-	
9	Output valid from clock	-	400	
10	Bus free time ^[14]	650	-	

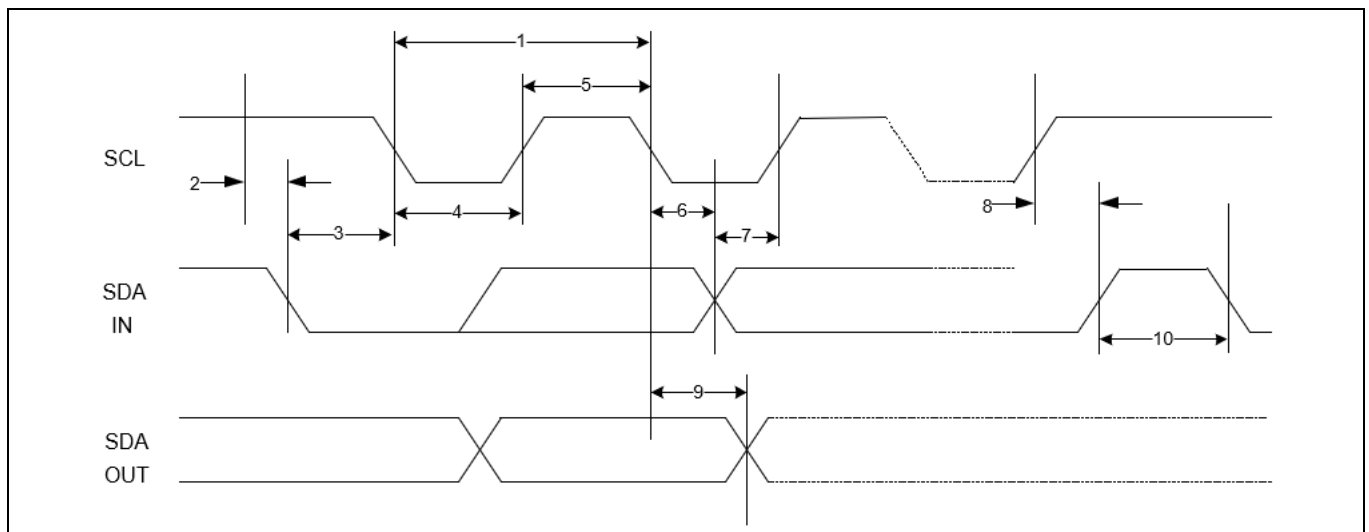


Figure 16 I²C Interface Timing diagram

Notes

- 13. As a transmitter, 125 ns of delay is provided to bridge the undefined region of the falling edge of SCL to avoid unintended generation of START or STOP conditions.
- 14. Time that the CBUS must be free before a new transaction can start.

16.4 I²S Interface Timing

I²S timing is shown below in [Table 28](#), [Figure 17](#), and [Figure 18](#).

Table 28 Timing for I²S transmitters and receivers

	Transmitter				Receiver				Notes
	Lower Limit		Upper Limit		Lower Limit		Upper Limit		
	Min	Max	Min	Max	Min	Max	Min	Max	
Clock Period T	T_{tr}	-	-	-	T_r	-	-	-	[15]
Master Mode: Clock generated by transmitter or receiver									
HIGH t_{HC}	$0.35 \times T_{tr}$	-	-	-	$0.35 \times T_{tr}$	-	-	-	[16]
LOW t_{LC}	$0.35 \times T_{tr}$	-	-	-	$0.35 \times T_{tr}$	-	-	-	[16]
Slave Mode: Clock accepted by transmitter or receiver									
HIGH t_{HC}	-	$0.35 \times T_{tr}$	-	-	-	$0.35 \times T_{tr}$	-	-	[15]
LOW t_{LC}	-	$0.35 \times T_{tr}$	-	-	-	$0.35 \times T_{tr}$	-	-	[15]
Rise time t_{RC}	-	-	$0.15 \times T_{tr}$	-	-	-	-	-	[16]
Transmitter									
Delay t_{dtr}	-	-	-	$0.8 \times T$	-	-	-	-	[17]
Hold time t_{htr}	0	-	-	-	-	-	-	-	[16]
Receiver									
Setup time t_{sr}	-	-	-	-	$0.2 \times T_{tr}$	-	-	-	[18]
Hold time t_{hr}	-	-	-	-	$0.2 \times T_{tr}$	-	-	-	[18]

Notes

15. The system clock period T must be greater than T_{tr} and T_r because both the transmitter and receiver have to be able to handle the data transfer rate.
16. At all data rates in master mode, the transmitter or receiver generates a clock signal with a fixed mark/space ratio. For this reason, t_{HC} and t_{LC} are specified with respect to T.
17. In slave mode, the transmitter and receiver need a clock signal with minimum HIGH and LOW periods so that they can detect the signal. So long as the minimum periods are greater than $0.35 \times T_r$, any clock that meets the requirements can be used.
18. Because the delay (t_{dtr}) and the maximum transmitter speed (defined by T_{tr}) are related, a fast transmitter driven by a slow clock edge can result in t_{dtr} not exceeding t_{RC} which means t_{htr} becomes zero or negative. Therefore, the transmitter has to guarantee that t_{htr} is greater than or equal to zero, so long as the clock rise-time t_{RC} is not more than t_{RCmax} , where t_{RCmax} is not less than $0.15 \times T_{tr}$.
19. To allow data to be clocked out on a falling edge, the delay is specified with respect to the rising edge of the clock signal and T, always giving the receiver sufficient setup time.
20. The data setup and hold time must not be less than the specified receiver setup and hold time.

Timing and AC characteristics

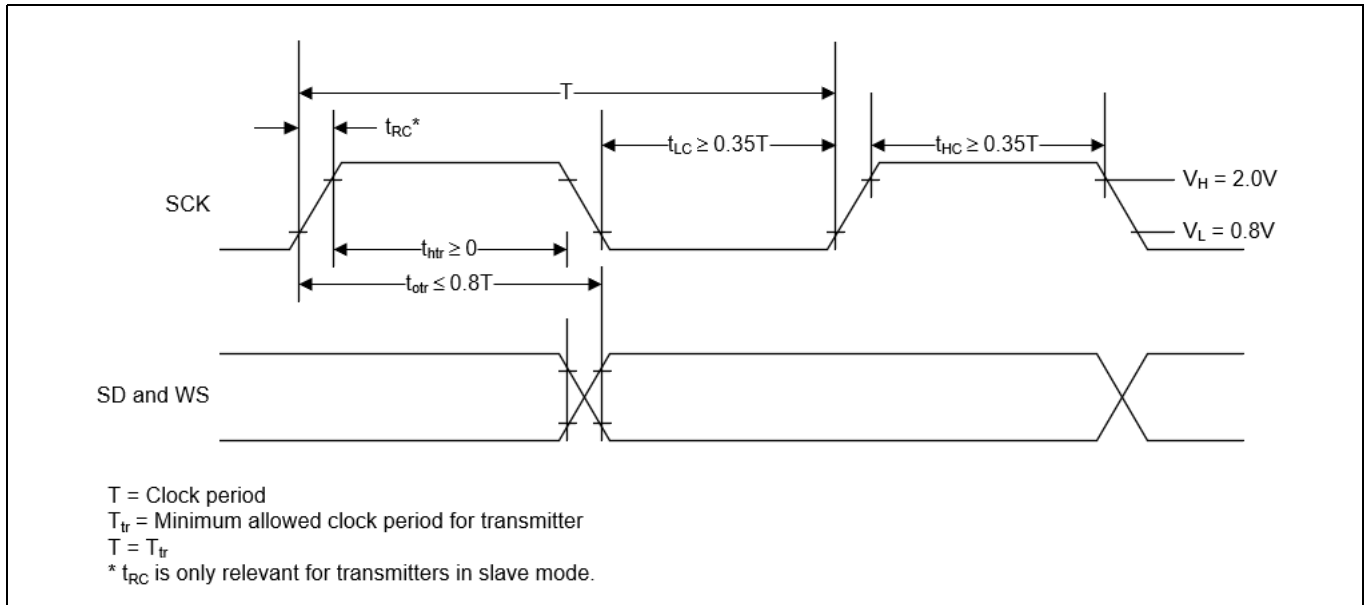


Figure 17 I²S Transmitter Timing

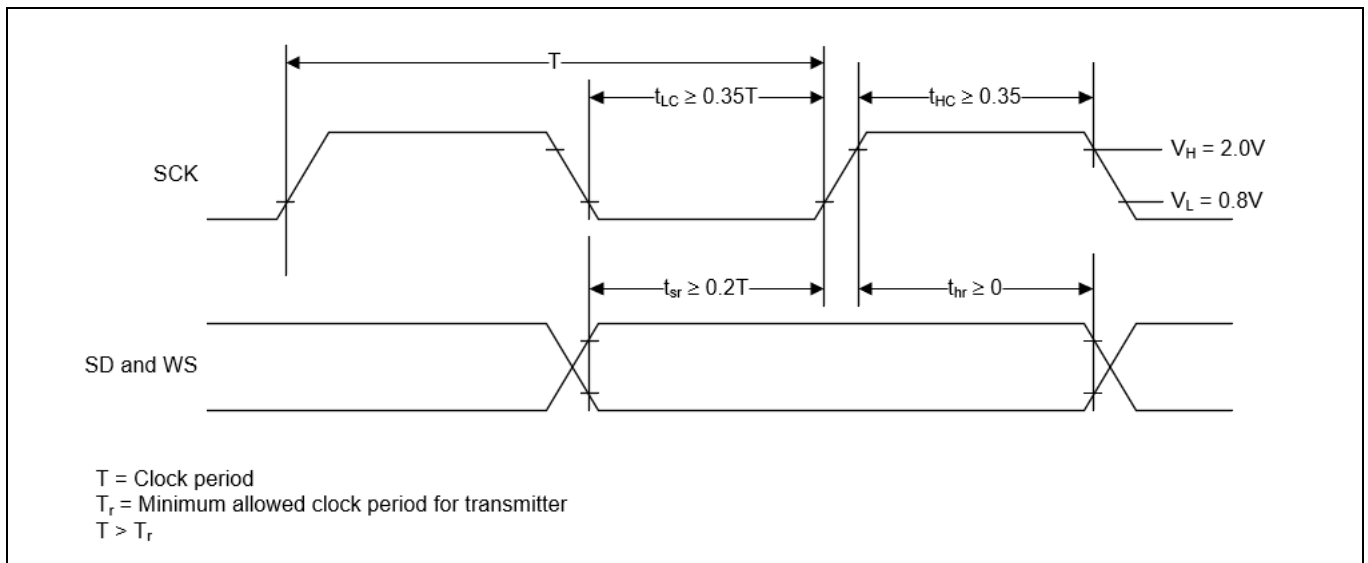


Figure 18 I²S Receiver Timing

17 Environmental specifications

17.1 Environmental compliance

This Infineon Bluetooth® LE module is produced in compliance with the Restriction of Hazardous Substances (RoHS) and Halogen-Free (HF) directives. The Infineon module and components used to produce this module are RoHS and HF compliant.

17.2 RF certification

The CYBT-213043-02 module is certified under the following RF certification standards:

- FCC: WAP3034
- ISED: 7922A-3034
- MIC: 203-JN0972
- CE

17.3 Safety certification

The CYBT-213043-02 module complies with the following safety regulations:

- Underwriters Laboratories, Inc. (UL): Filing E331901
- CSA
- TUV

17.4 Environmental conditions

Table 29 describes the operating and storage conditions for the Infineon Bluetooth® module.

Table 29 Environmental conditions for CYBT-213043-02

Description	Minimum specification	Maximum specification
Operating temperature	-30°C	85°C
Operating humidity (relative, non-condensation)	5%	85%
Thermal ramp rate	-	10°C/minute
Storage temperature	-40°C	85°C
Storage temperature and humidity	-	85°C at 85%
ESD: Module integrated into system Components ^[21]	-	15 kV Air 2.0 kV Contact

17.5 ESD and EMI protection

Exposed components require special attention to ESD and electromagnetic interference (EMI).

A grounded conductive layer inside the device enclosure is suggested for EMI and ESD performance. Any openings in the enclosure near the module should be surrounded by a grounded conductive layer to provide ESD protection and a low-impedance path to ground.

Device Handling: Proper ESD protocol must be followed in manufacturing to ensure component reliability.

Note

21. This does not apply to the RF pins (ANT).

18 Regulatory information

18.1 FCC

FCC NOTICE:

The device CYBT-213043-02 complies with Part 15 of the FCC Rules. The device meets the requirements for modular transmitter approval as detailed in FCC public Notice DA00-1407. transmitter Operation is subject to the following two conditions: (1) This device may not cause harmful interference, and (2) This device must accept any interference received, including interference that may cause undesired operation.

CAUTION:

The FCC requires the user to be notified that any changes or modifications made to this device that are not expressly approved by Infineon Semiconductor may void the user's authority to operate the equipment.

This equipment has been tested and found to comply with the limits for a Class B digital device, pursuant to Part 15 of the FCC Rules. These limits are designed to provide reasonable protection against harmful interference in a residential installation. This equipment generates uses and can radiate radio frequency energy and, if not installed and used in accordance with the instructions, may cause harmful interference to radio communications. However, there is no guarantee that interference will not occur in a particular installation. If this equipment does cause harmful interference to radio or television reception, which can be determined by turning the equipment off and on, the user is encouraged to try to correct the interference by one or more of the following measures:

- Reorient or relocate the receiving antenna.
- Increase the separation between the equipment and receiver.
- Connect the equipment into an outlet on a circuit different from that to which the receiver is connected.
- Consult the dealer or an experienced radio/TV technician for help.

LABELING REQUIREMENTS:

The Original Equipment Manufacturer (OEM) must ensure that FCC labelling requirements are met. This includes a clearly visible label on the outside of the OEM enclosure specifying the appropriate Infineon Semiconductor FCC identifier for this product as well as the FCC Notice above. The FCC identifier is FCC ID: **WAP3034**.

In any case the end product must be labeled exterior with "**Contains FCC ID: WAP3034**".

ANTENNA WARNING:

This device is tested with a standard SMA connector and with the antenna listed in [Table 7](#). When integrated in the OEMs product, this fixed antenna requires installation preventing end-users from replacing them with non-approved antennas. Any antenna not in [Table 7](#) must be tested to comply with FCC Section 15.203 for unique antenna connectors and Section 15.247 for emissions.

Regulatory information

RF EXPOSURE:

To comply with FCC RF Exposure requirements, the Original Equipment Manufacturer (OEM) must ensure to install the approved antenna in the previous.

The preceding statement must be included as a CAUTION statement in manuals, for products operating with the approved antenna in **Table 7**, to alert users on FCC RF Exposure compliance. Any notification to the end user of installation or removal instructions about the integrated radio module is not allowed.

The radiated output power of CYBT-213043-02 with the integrated PCB trace antenna (FCC ID: **WAP3034**) is far below the FCC radio frequency exposure limits. Nevertheless, use CYBT-213043-02 in such a manner that minimizes the potential for human contact during normal operation.

End users may not be provided with the module installation instructions. OEM integrators and end users must be provided with transmitter operating conditions for satisfying RF exposure compliance.

18.2 ISED

Innovation, Science and Economic Development (ISED) Canada Certification

CYBT-213043-02 is licensed to meet the regulatory requirements of Innovation, Science and Economic Development (ISED) Canada.

License: IC: **7922A-3034**

Manufacturers of mobile, fixed or portable devices incorporating this module are advised to clarify any regulatory questions and ensure compliance for SAR and/or RF exposure limits. Users can obtain Canadian information on RF exposure and compliance from www.ic.gc.ca.

This device has been designed to operate with the antenna listed in **Table 7**, having a maximum gain of -0.5 dBi. Antennas not included in **Table 7** or having a gain greater than -0.5 dBi are strictly prohibited for use with this device. The required antenna impedance is 50 ohms. The antenna used for this transmitter must not be co-located or operating in conjunction with any other antenna or transmitter.

ISED NOTICE:

The device CYBT-213043-02 including the built-in trace antenna complies with Canada RSS-GEN Rules. The device meets the requirements for modular transmitter approval as detailed in RSS-GEN. Operation is subject to the following two conditions: (1) This device may not cause harmful interference, and (2) This device must accept any interference received, including interference that may cause undesired operation.

L'appareil CYBT-213043-02, y compris l'antenne intégrée, est conforme aux Règles RSS-GEN de Canada. L'appareil répond aux exigences d'approbation de l'émetteur modulaire tel que décrit dans RSS-GEN. L'opération est soumise aux deux conditions suivantes: (1) Cet appareil ne doit pas causer d'interférences nuisibles, et (2) Cet appareil doit accepter toute interférence reçue, y compris les interférences pouvant entraîner un fonctionnement indésirable.

ISED INTERFERENCE STATEMENT FOR CANADA

This device complies with Innovation, Science and Economic Development (ISED) Canada licence-exempt RSS standard(s). Operation is subject to the following two conditions: (1) this device may not cause interference, and (2) this device must accept any interference, including interference that may cause undesired operation of the device.

Cet appareil est conforme à la norme sur l'innovation, la science et le développement économique (ISED) norme RSS exempte de licence. L'exploitation est autorisée aux deux conditions suivantes : (1) l'appareil ne doit pas produire de brouillage, et (2) l'utilisateur de l'appareil doit accepter tout brouillage radioélectrique subi, même si le brouillage est susceptible d'en compromettre le fonctionnement.

Regulatory information

ISED RADIATION EXPOSURE STATEMENT FOR CANADA

This equipment complies with ISED radiation exposure limits set forth for an uncontrolled environment.

Cet équipement est conforme aux limites d'exposition aux radiations ISED prévues pour un environnement incontrôlé.

LABELING REQUIREMENTS:

The Original Equipment Manufacturer (OEM) must ensure that ISED labelling requirements are met. This includes a clearly visible label on the outside of the OEM enclosure specifying the appropriate Infineon Semiconductor IC identifier for this product as well as the ISED Notices above. The IC identifier is **7922A-3034**. In any case, the end product must be labeled in its exterior with “**Contains IC: 7922A-3034**”.

Le fabricant d'équipement d'origine (OEM) doit s'assurer que les exigences d'étiquetage ISED sont respectées. Cela comprend une étiquette clairement visible à l'extérieur de l'enceinte OEM spécifiant l'identifiant Infineon Semiconductor IC approprié pour ce produit ainsi que l'avis ISED ci-dessus. L'identificateur IC est 7922A-3034. En tout cas, le produit final doit être étiqueté dans son extérieur avec “**Contient IC: 7922A-3034**”.

18.3 European Declaration of Conformity

Hereby, Infineon Semiconductor declares that the Bluetooth® module CYBT-213043-02 complies with the essential requirements and other relevant provisions of Directive 2014. As a result of the conformity assessment procedure described in Annex III of the Directive 2014, the end-customer equipment should be labeled as follows:



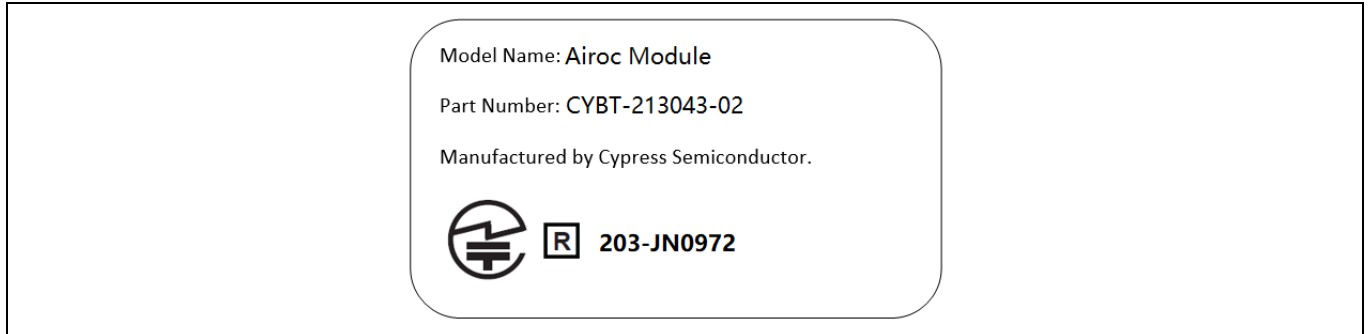
All versions of the CYBT-213043-02 in the specified reference design can be used in the following countries: Austria, Belgium, Cyprus, Czech Republic, Denmark, Estonia, Finland, France, Germany, Greece, Hungary, Ireland, Italy, Latvia, Lithuania, Luxembourg, Malta, Poland, Portugal, Slovakia, Slovenia, Spain, Sweden, The Netherlands, the United Kingdom, Switzerland, and Norway.

Regulatory information

18.4 MIC Japan

CYBT-213043-02 is certified as a module with certification number 203-JN0972. End products that integrate CYBT-213043-02 do not need additional MIC Japan certification for the end product.

End product can display the certification label of the embedded module.



Packaging

19 Packaging

Table 30 Solder Reflow Peak Temperature

Module part number	Package	Maximum Peak Temperature	Maximum Time at Peak Temperature	No. of cycles
CYBT-213043-02	35-pad SMT	260°C	30 seconds	2

Table 31 Package moisture sensitivity level (MSL), IPC/JEDEC J-STD-2

Module part number	Package	MSL
CYBT-213043-02	35-pad SMT	MSL 3

The CYBT-213043-02 is offered in tape and reel packaging. **Figure 19** details the tape dimensions used for the CYBT-213043-02.

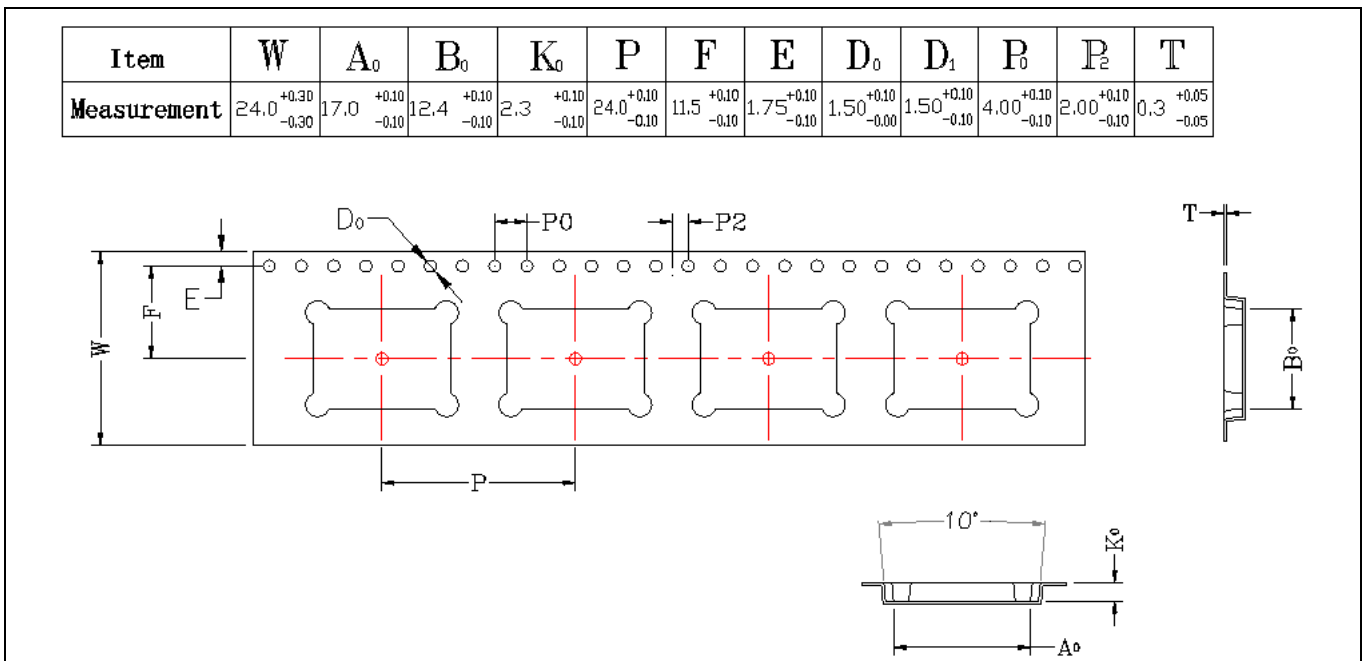


Figure 19 CYBT-213043-02 Tape dimensions

Figure 20 details the orientation of the CYBT-213043-02 in the tape as well as the direction for unreeling.

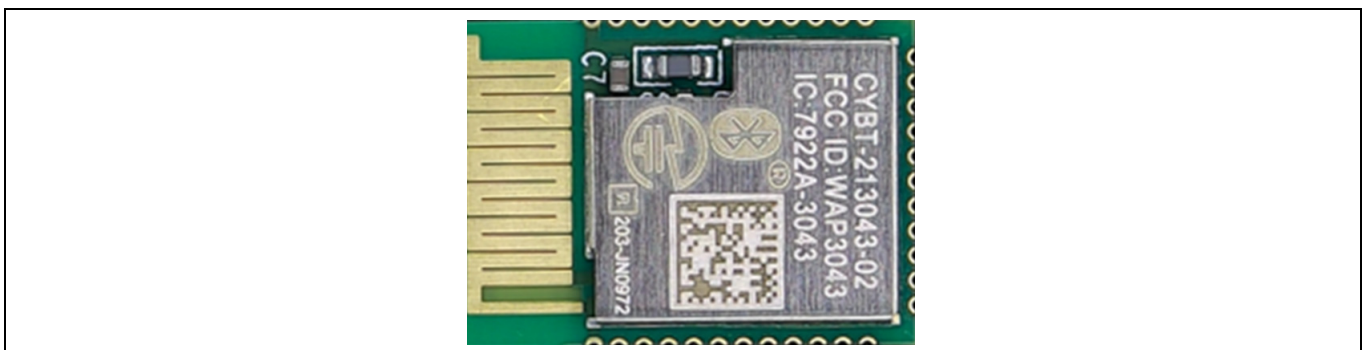


Figure 20 Component orientation in Tape and Unreeling direction

Packaging

Figure 21 details reel dimensions used for the CYBT-213043-02.

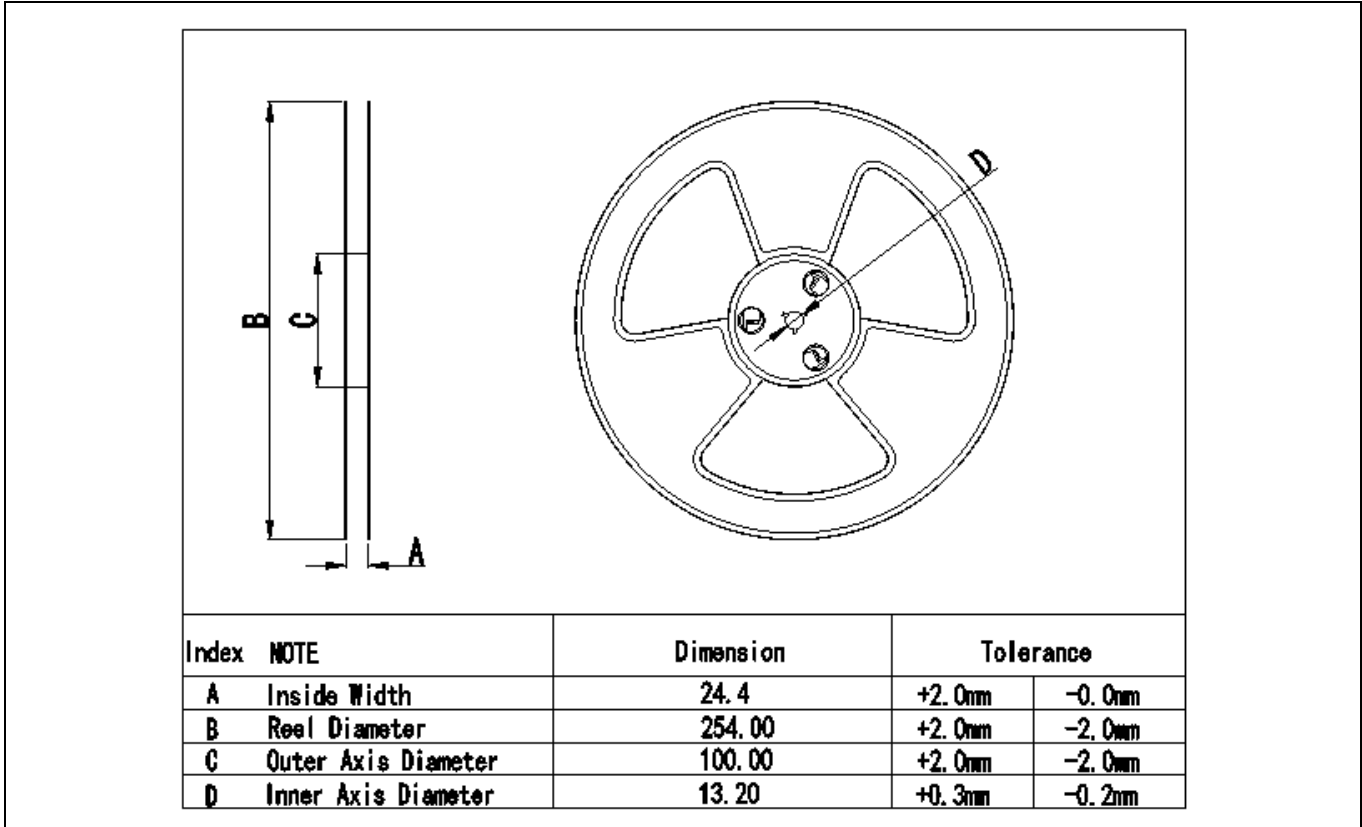


Figure 21 Reel dimensions

Ordering information

20 Ordering information

Table 32 lists the CYBT-213043-02 part number and features. **Table 32** also lists the target program for the respective module ordering codes. **Table 33** lists the reel shipment quantities for the CYBT-213043-02.

Table 32 Ordering information

Ordering part number	Max CPU speed (MHz)	Flash size (KB)	RAM size (KB)	UART	I ² C	SPI	I ² S	PCM	PWM	ADC inputs	GPIOs	Package	Packaging
CYBT-213043-02	96	256	176	Yes	Yes	Yes	Yes	Yes	6	15	22	35-SMT	Tape and Reel

Table 33 Tape and reel package quantity and minimum order amount

Description	Minimum Reel Quantity	Maximum Reel Quantity	Comments
Reel Quantity	500	500	Ships in 500 unit reel quantities.
Minimum Order Quantity (MOQ)	500	–	–
Order Increment (OI)	500	–	–

The CYBT-213043-02 is offered in tape and reel packaging. The CYBT-213043-02 ships in a reel size of 500 units.

For additional information and a complete list of Infineon Semiconductor Bluetooth® products, contact your local Infineon sales representative. To locate the nearest Infineon office, visit our website.

U.S. Infineon Headquarters Address	198 Champion Court, San Jose, CA 95134
U.S. Infineon Headquarter Contact Info	(408) 943-2600
Infineon website address	https://www.infineon.com

21 Acronyms

Table 34 Acronyms used in this document

Acronym	Description
BLE	Bluetooth® Low Energy
Bluetooth® SIG	Bluetooth® Special Interest Group
CE	European Conformity
CSA	Canadian Standards Association
EMI	electromagnetic interference
ESD	electrostatic discharge
FCC	Federal Communications Commission
GPIO	general-purpose input/output
ISED	Innovation, Science and Economic Development (Canada)
IDE	integrated design environment
KC	Korea Certification
MIC	Ministry of Internal Affairs and Communications (Japan)
PCB	printed circuit board
RX	receive
QDID	qualification design ID
SMT	surface-mount technology; a method for producing electronic circuitry in which the components are placed directly onto the surface of PCBs
TCPWM	timer, counter, pulse width modulator (PWM)
TUV	Germany: Technischer Überwachungs-Verein (Technical Inspection Association)
TX	transmit

22 Document conventions

22.1 Units of measure

Table 35 Units of measure

Symbol	Unit of measure
°C	degree Celsius
dB	decibel
dBi	decibels relative to isotropic
dBm	decibel-milliwatts
kV	kilovolt
mA	milliamperes
mm	millimeters
mV	millivolt
µA	microamperes
µm	micrometers
MHz	megahertz
GHz	gigahertz
V	volt



Revision history

Revision history

Document revision	Date	Description of changes
*D	2023-06-01	Post to external web.

Trademarks

All referenced product or service names and trademarks are the property of their respective owners.

Edition 2023-06-01

Published by

Infineon Technologies AG
81726 Munich, Germany

© 2023 Infineon Technologies AG.
All Rights Reserved.

Do you have a question about this document?

Email:

erratum@infineon.com

Document reference

002-26540 Rev. *D

IMPORTANT NOTICE

The information given in this document shall in no event be regarded as a guarantee of conditions or characteristics ("Beschaffenheitsgarantie").

With respect to any examples, hints or any typical values stated herein and/or any information regarding the application of the product, Infineon Technologies hereby disclaims any and all warranties and liabilities of any kind, including without limitation warranties of non-infringement of intellectual property rights of any third party.

In addition, any information given in this document is subject to customer's compliance with its obligations stated in this document and any applicable legal requirements, norms and standards concerning customer's products and any use of the product of Infineon Technologies in customer's applications.

The data contained in this document is exclusively intended for technically trained staff. It is the responsibility of customer's technical departments to evaluate the suitability of the product for the intended application and the completeness of the product information given in this document with respect to such application.

WARNINGS

Due to technical requirements products may contain dangerous substances. For information on the types in question please contact your nearest Infineon Technologies office.

Except as otherwise explicitly approved by Infineon Technologies in a written document signed by authorized representatives of Infineon Technologies, Infineon Technologies' products may not be used in any applications where a failure of the product or any consequences of the use thereof can reasonably be expected to result in personal injury.