


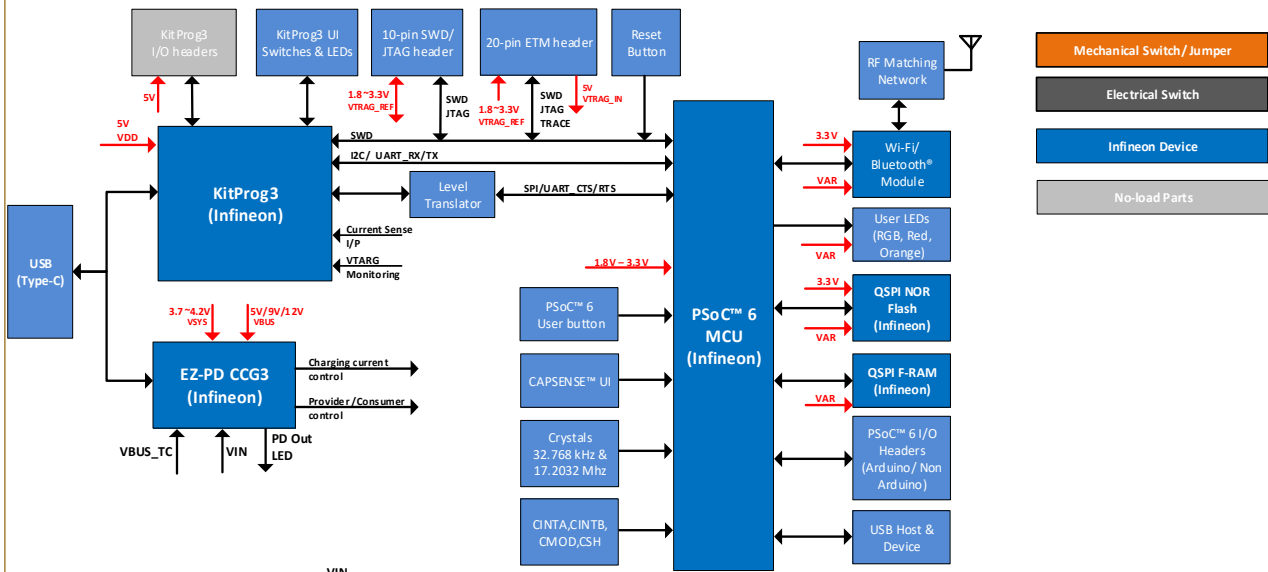
CY8CKIT-062-WiFi-BT PSoC™ 6 Wi-Fi-Bluetooth® Pioneer Kit

CONTENTS	
PAGE	DESCRIPTION
01	Title & Table of Contents
02	Block Diagram
03	5V Buck-Boost Regulator
04	Variable Regulator, LiPo Battery Charger
05	KitProg3 Controller
06	Kitprog3 Power & Headers
07	Type-C Controller
08	Type-C Power Path
09	PSoC 6 Power Connection
10	PSoC 6 Signals
11	On-board Peripherals
12	Expansion Headers & Memory
13	USB Host & Device Interface
14	WiFi/BT Module Interface
15	Revision History

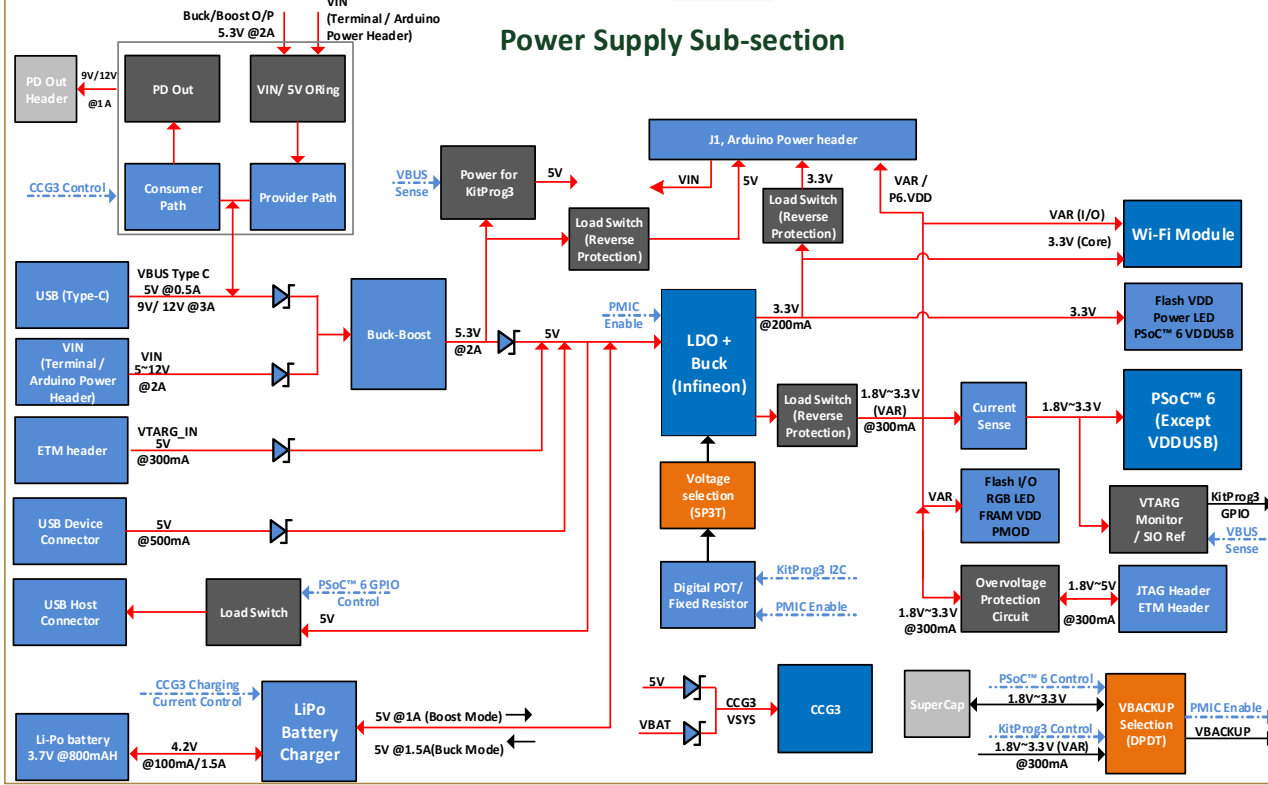
Drawing Numbers	
PCBA	121-60435-01
PCB	600-60435-01
FAB DRW	610-60435-01
ASSY DRW	620-60435-01
SCH DRW	630-60435-01


		CYPRESS SEMICONDUCTOR 198 CHAMPION COURT SAN JOSE, CA 95134 (408) 943-2600	
CYPRESS SEMICONDUCTOR © 2017			
SCH Title : PSoC™ 6 Wi-Fi Bluetooth® Pioneer Kit			
Page Title : Title Page			
Size	Document Number	Drawn By	Approved By
A4	630-60435-01	AARA, TAVA	RKAD
Date: Friday, December 22, 2023		Sheet	1 of 16
		Rev	05

CY8CKIT-062-WiFi-BT Architecture Block Diagram



Power Supply Sub-section





CYPRESS SEMICONDUCTOR
198 CHAMPION COURT
SAN JOSE, CA 95134
(408) 943-2600

CYPRESS SEMICONDUCTOR © 2017

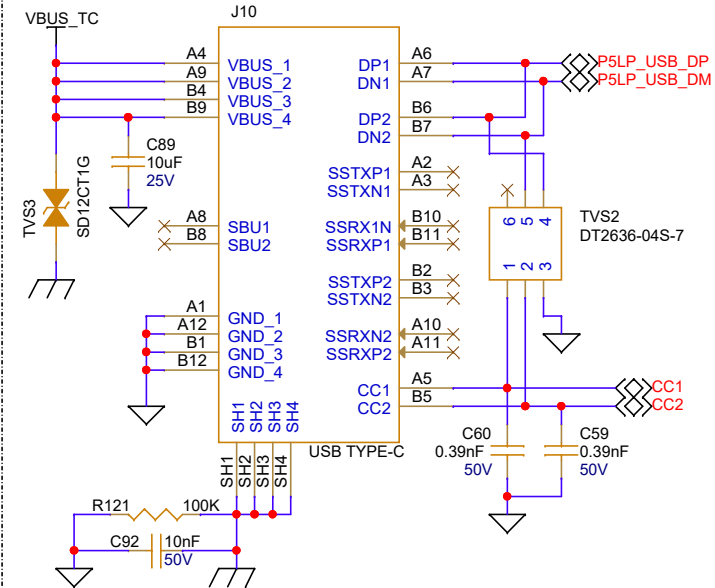
SCH Title : PSoC™ 6 Wi-Fi Bluetooth® Pioneer Kit

Page Title : Block Diagram

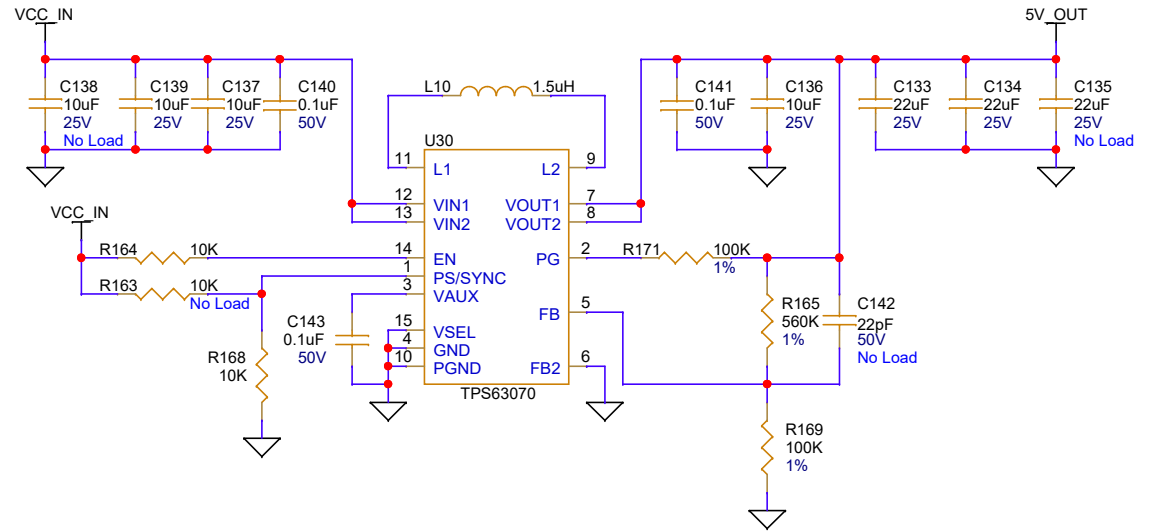
Size A4	Document Number 630-60435-01	Drawn By AARA, TAVA	Approved By RKAD	Rev 05
------------	--	-------------------------------	----------------------------	------------------

Date: Friday, December 22, 2023 Sheet 2 of 16

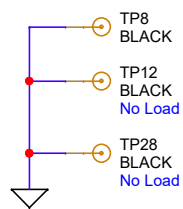
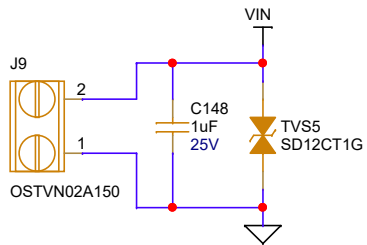
KitProg3 USB Type-C Connector



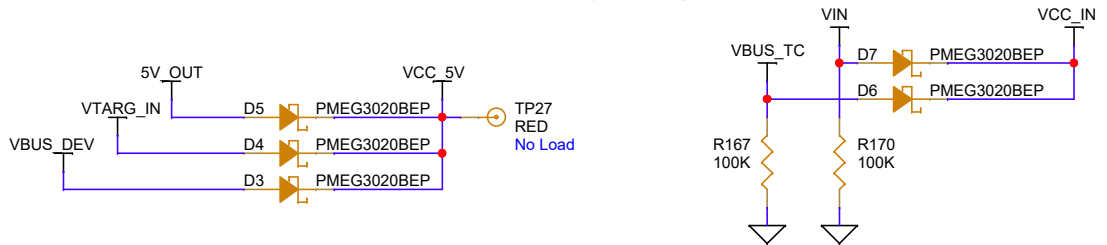
5V Buck-Boost Regulator



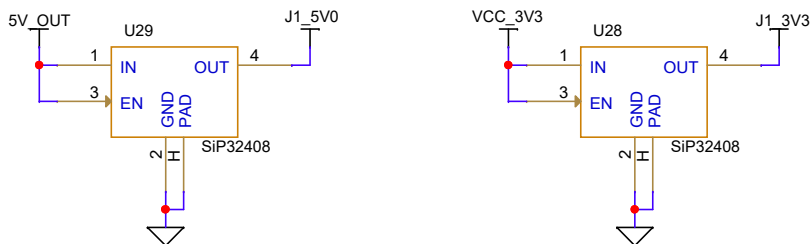
VIN Header




Power Supply 'OR'ing



Arduino Header O/P





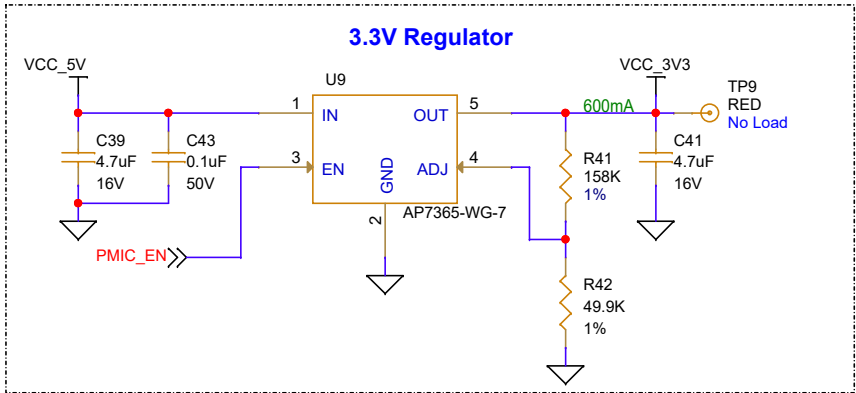
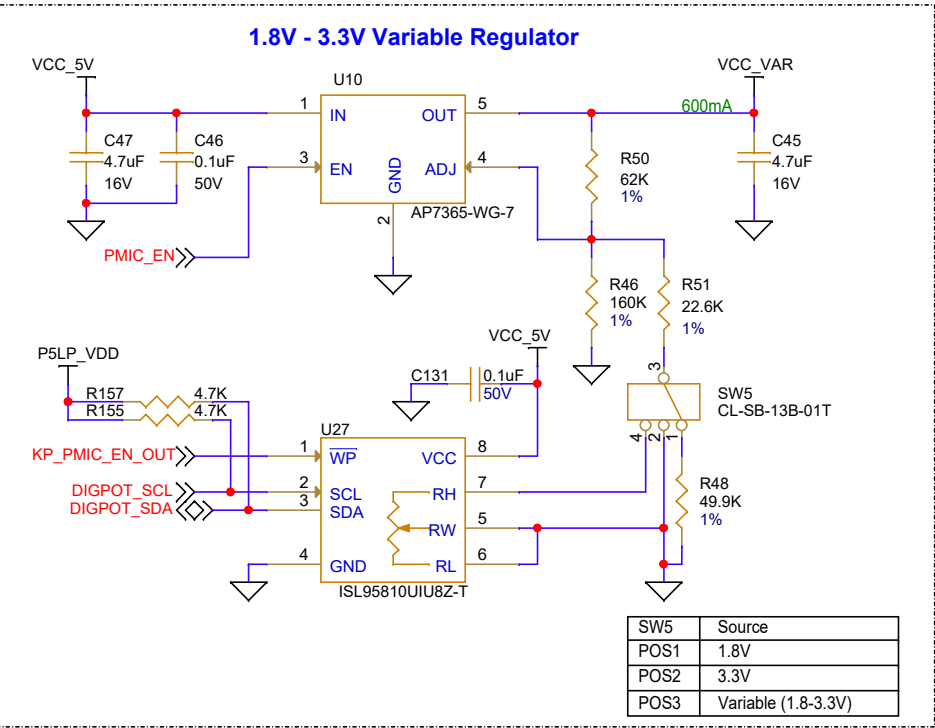
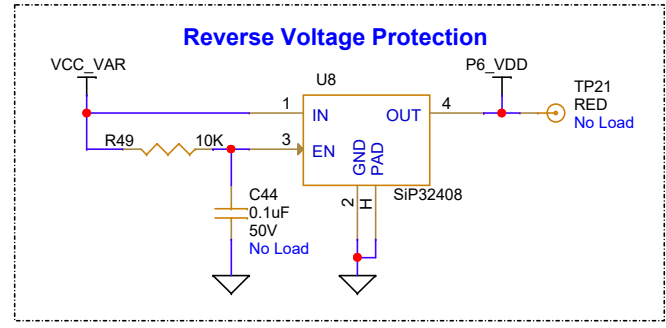
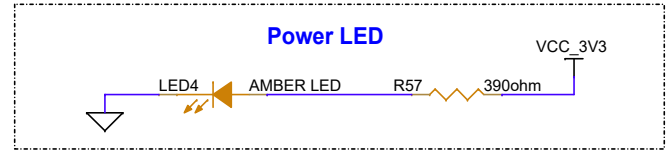
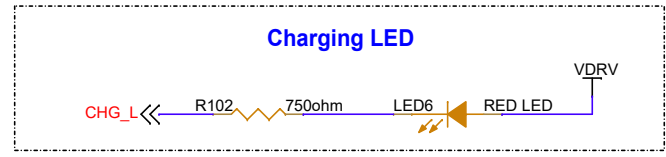
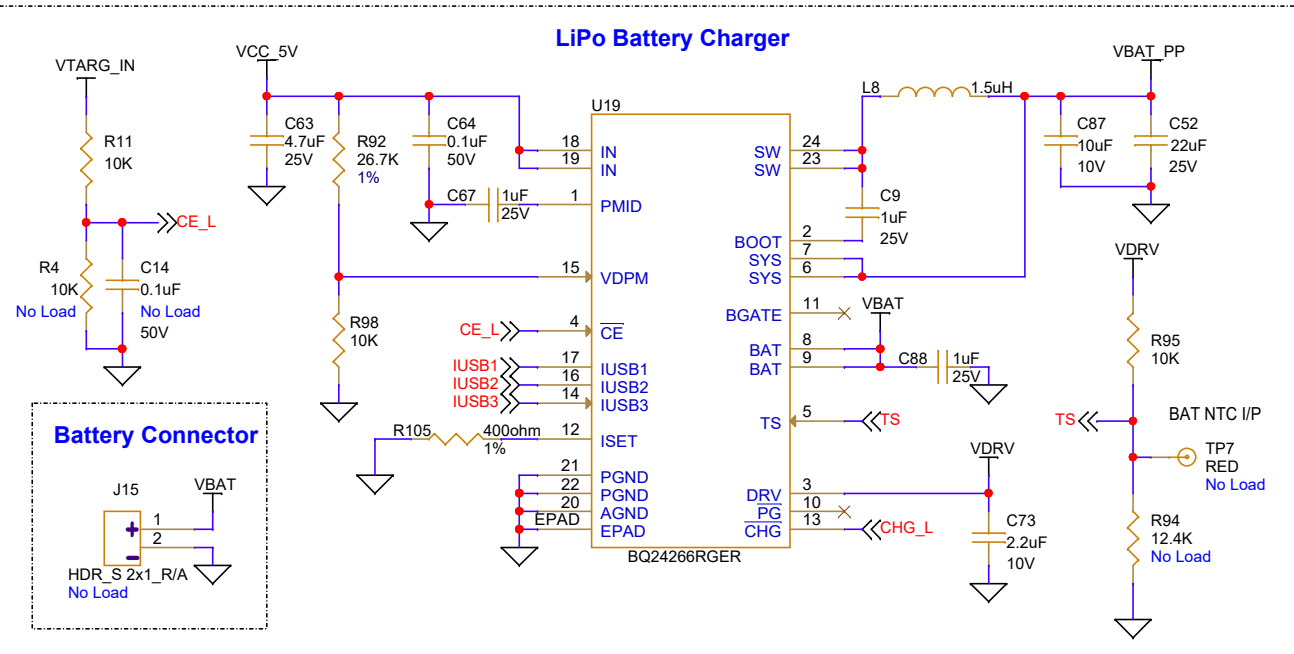
CYPRESS SEMICONDUCTOR
198 CHAMPION COURT
SAN JOSE, CA 95134
(408) 943-2600

CYPRESS SEMICONDUCTOR © 2017

SCH Title : PSoC™ 6 Wi-Fi Bluetooth® Pioneer Kit

Page Title : 5V Buck/Boost Regulator

Size A4	Document Number 630-60435-01	Drawn By AARA, TAVA	Approved By RKAD
Date: Friday, December 22, 2023	Sheet 3 of 16		Rev 05



CYPRESS SEMICONDUCTOR
 198 CHAMPION COURT
 SAN JOSE, CA 95134
 (408) 943-2600

CYPRESS SEMICONDUCTOR © 2017

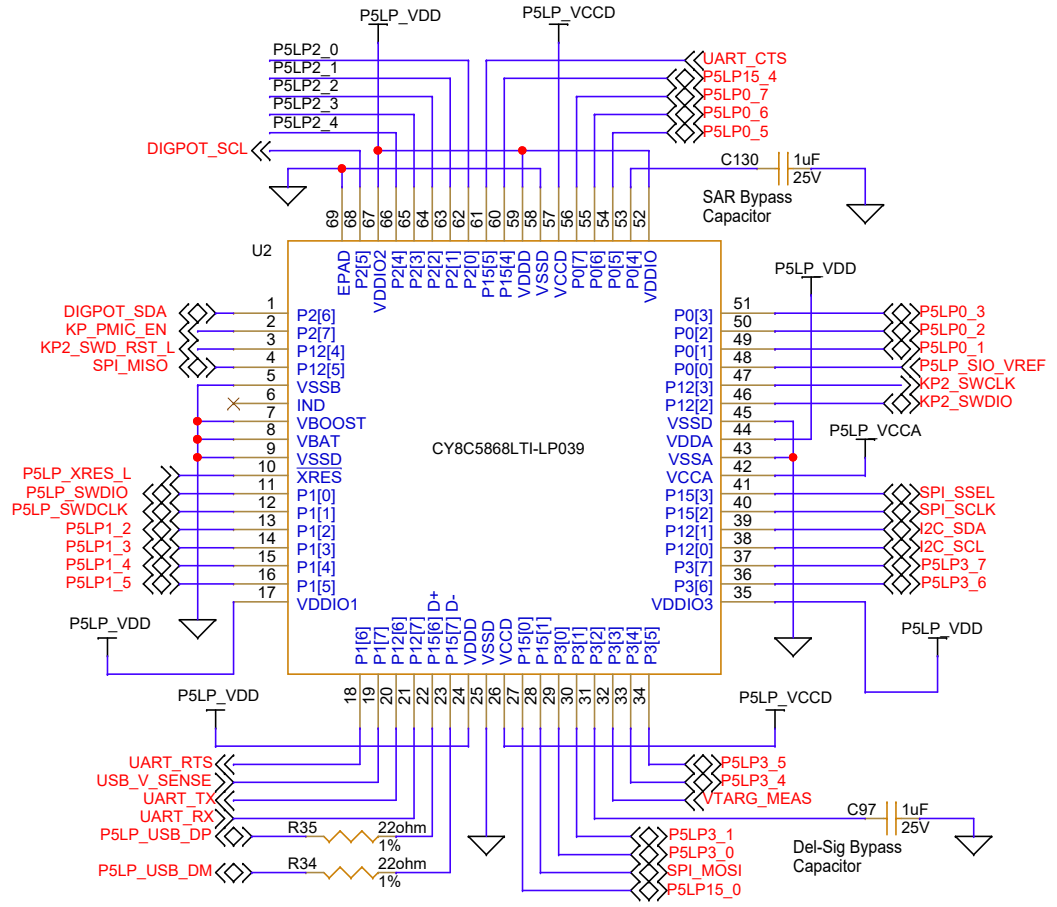
SCH Title : PSoC™ 6 Wi-Fi Bluetooth® Pioneer Kit

Page Title : Variable Regulator, Charger

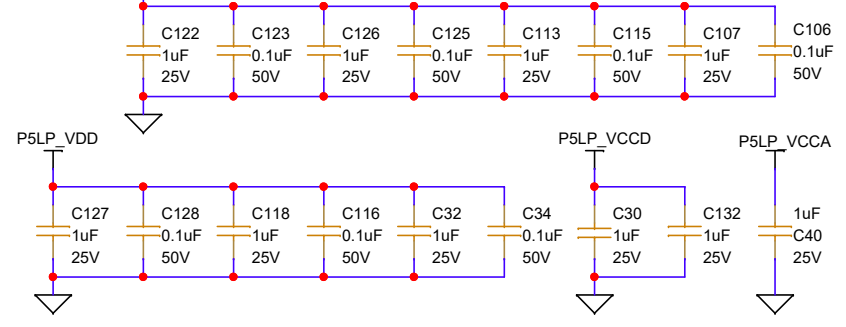
Size A4	Document Number 630-60435-01	Drawn By AARA, TAVA	Approved By RKAD	Rev 05
------------	--	-------------------------------	----------------------------	------------------

Date: Friday, December 22, 2023 | Sheet 4 of 16

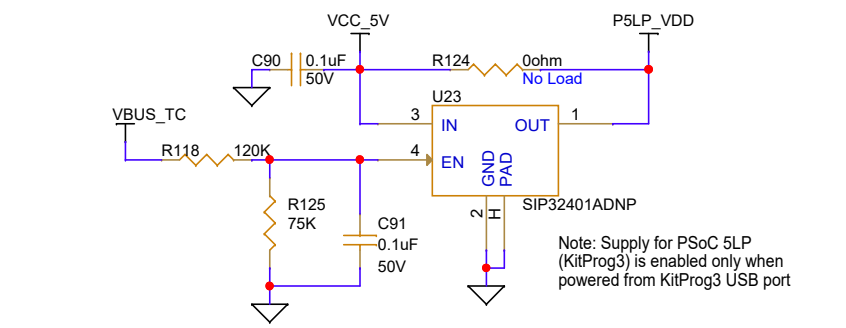
PSoc 5LP based KitProg3



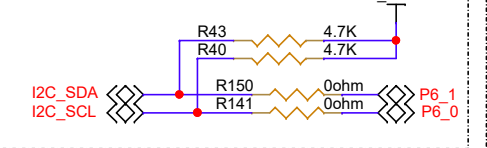
Decoupling Capacitors



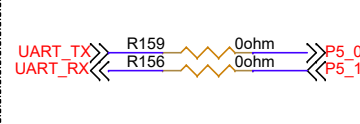
Supply for PSoc 5LP



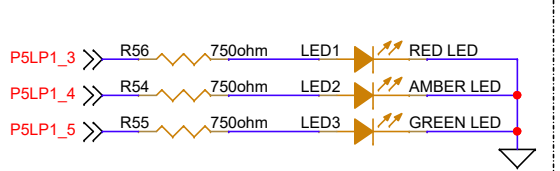
I2C Interface



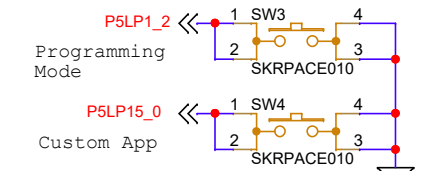
UART Interface



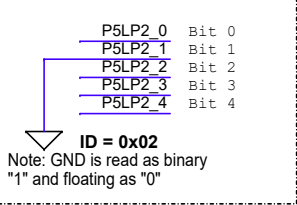
PSoc 5LP Status LEDs




PSoc 5LP User Switches



KitProg3 HW Revision





CYPRESS SEMICONDUCTOR
198 CHAMPION COURT
SAN JOSE, CA 95134
(408) 943-2600

CYPRESS SEMICONDUCTOR © 2017

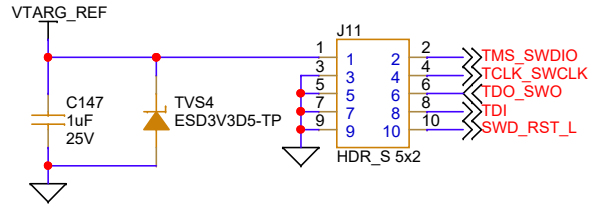
SCH Title : PSoc™ 6 Wi-Fi Bluetooth® Pioneer Kit

Page Title : KitProg3 Controller

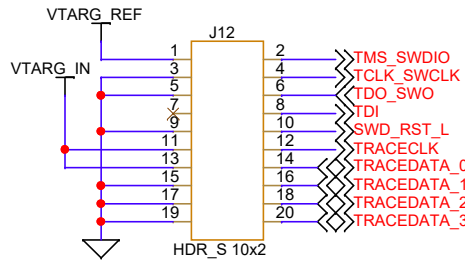
Size A4	Document Number 630-60435-01	Drawn By AARA, TAVA	Approved By RKAD	Rev 05
------------	--	-------------------------------	----------------------------	------------------

Date: Friday, December 22, 2023 Sheet 5 of 16

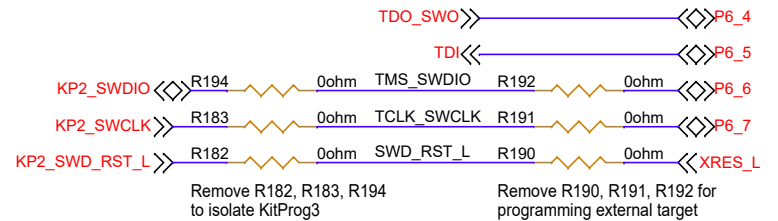
Target PSoC Program/Debug Header



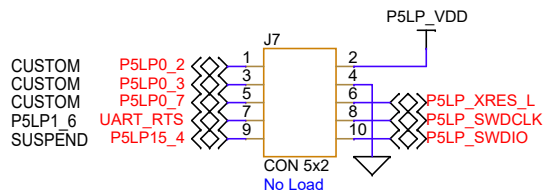
ETM Header



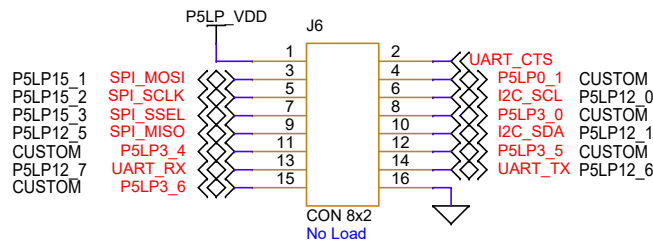
PSoC 6 SWD/JTAG Interface



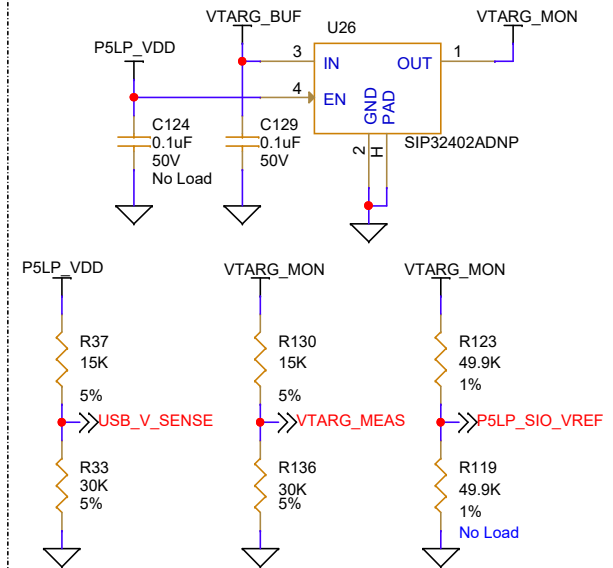
PSoC 5LP Custom Application Header



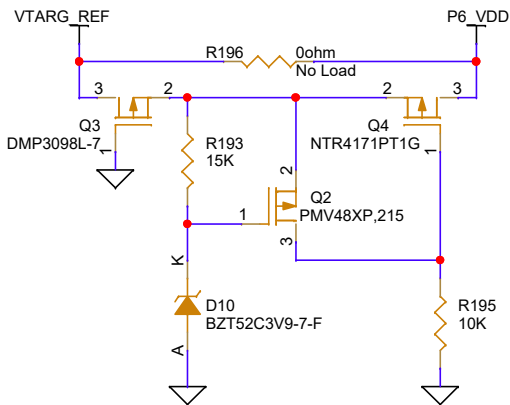
PSoC 5LP GPIO Expansion Header



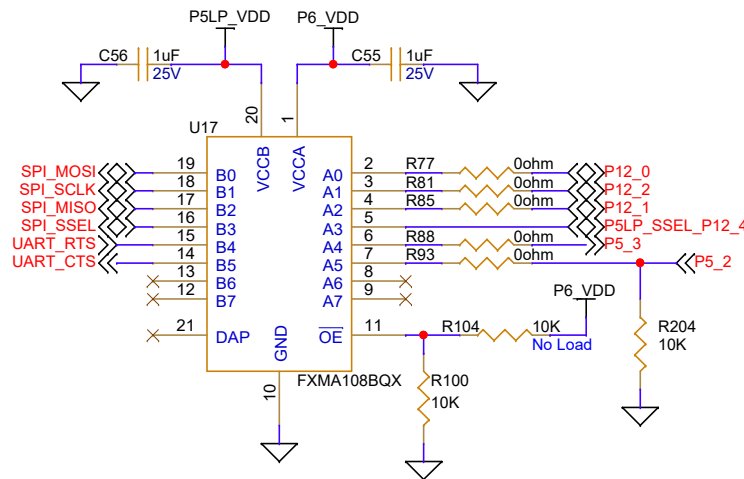
Voltage Monitoring




Program/Debug Overvoltage Protection



Level Translator for SPI and UART flow control





CYPRESS SEMICONDUCTOR
198 CHAMPION COURT
SAN JOSE, CA 95134
(408) 943-2600

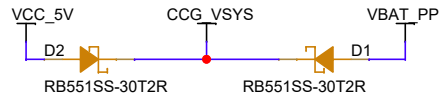
CYPRESS SEMICONDUCTOR © 2017

SCH Title : PSoC™ 6 Wi-Fi Bluetooth® Pioneer Kit

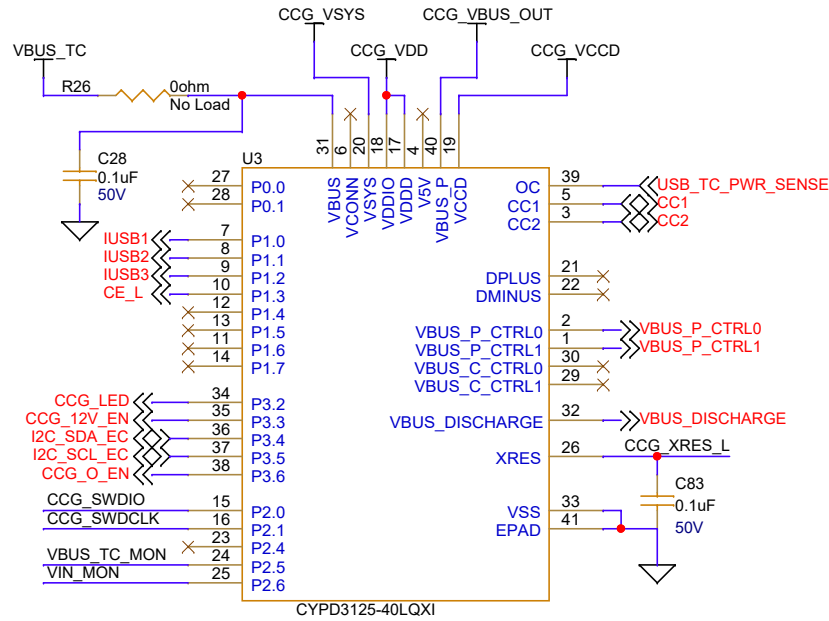
Page Title : Kitprog3 Power & Headers

Size A4	Document Number 630-60435-01	Drawn By AARA, TAVA	Approved By RKAD	Rev 05
Date: Friday, December 22, 2023		Sheet 6 of 16		

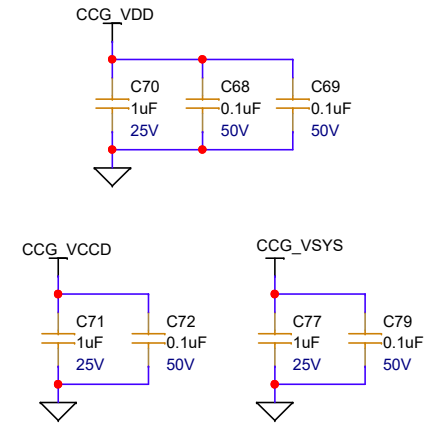
CCG3 Supply Selection



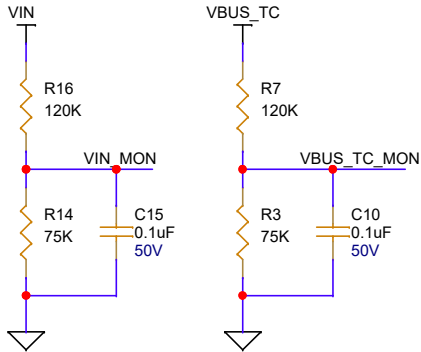
CCG3 USB Type-C Controller



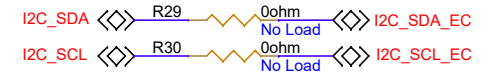
Decoupling Capacitors



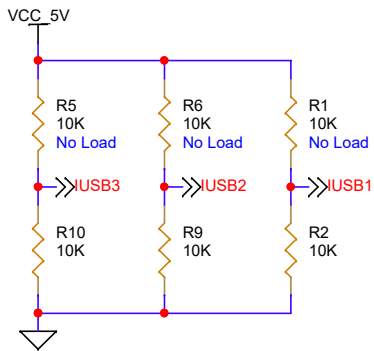
VBUS & VIN Voltage Monitoring



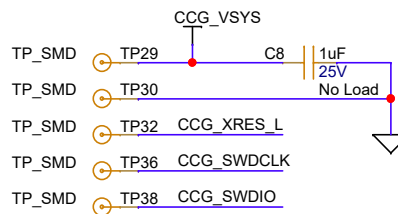
I2C Bootloader



LiPo Battery Charger Pull Up



CCG3 Programming



Output Indication



CYPRESS SEMICONDUCTOR © 2017

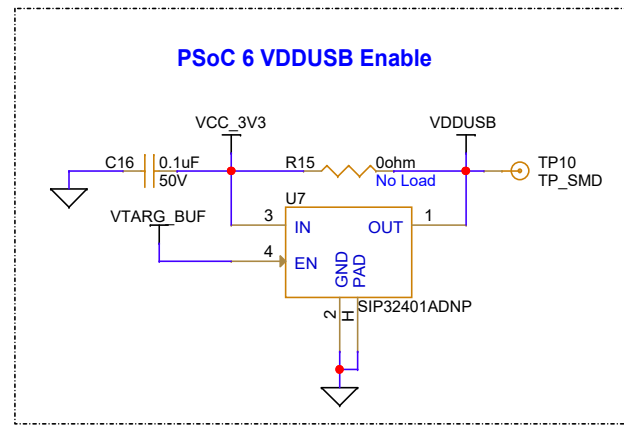
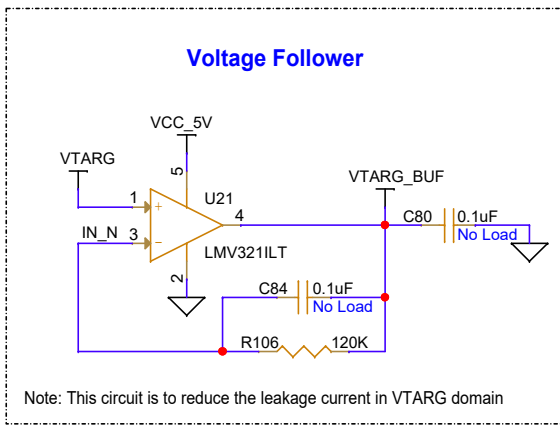
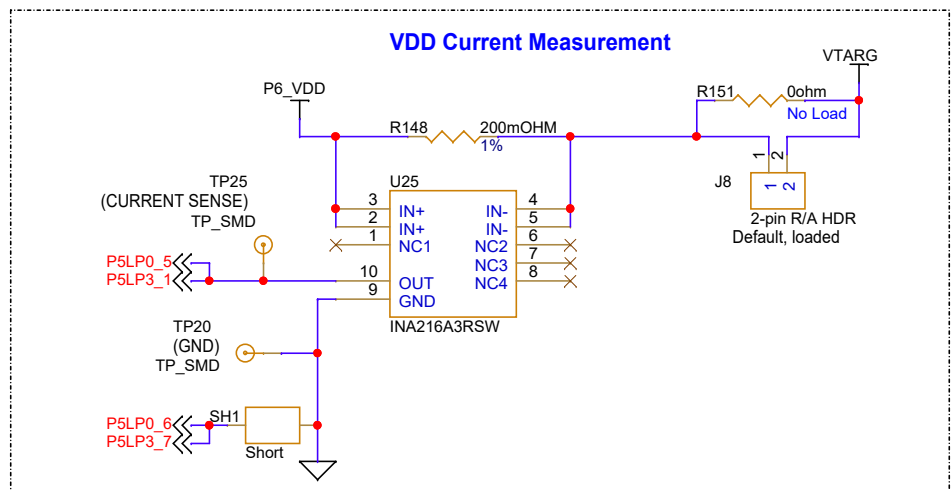
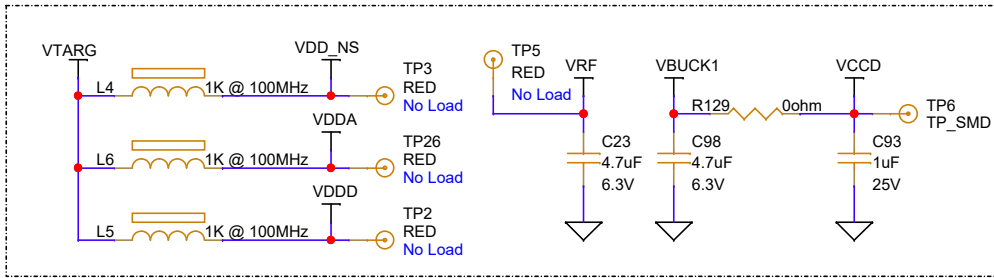
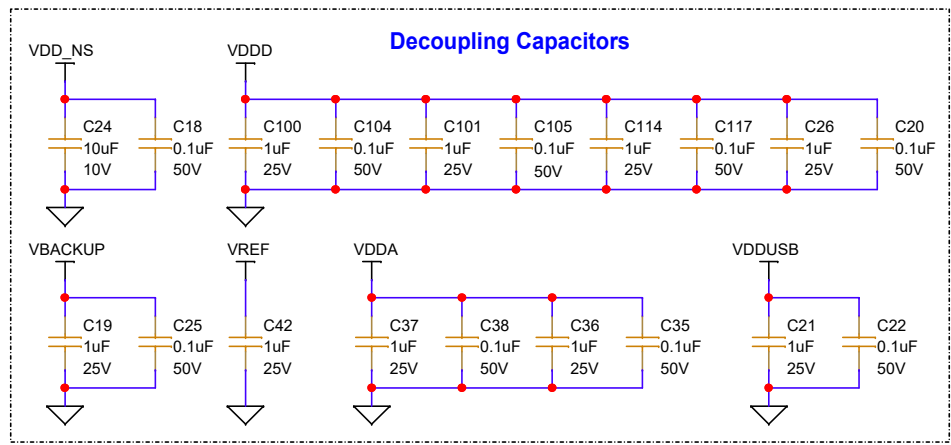
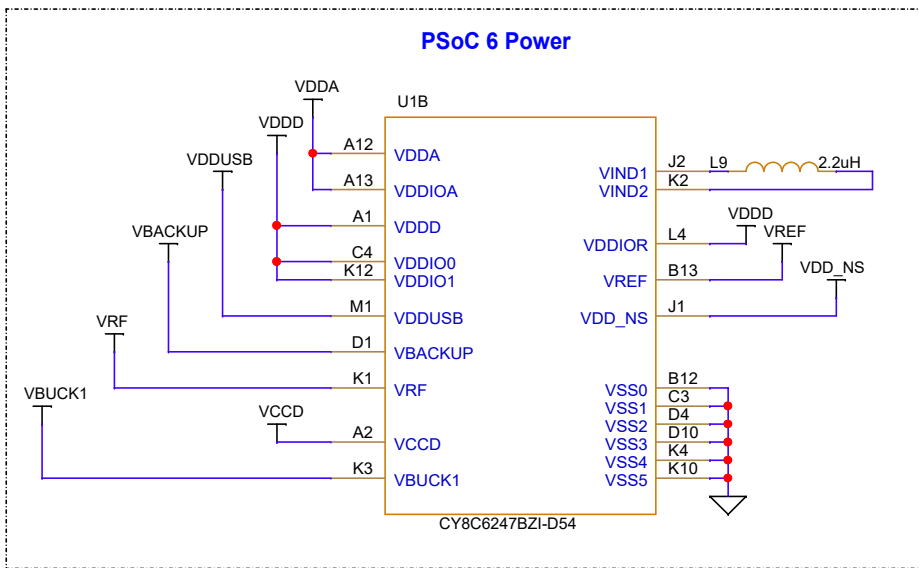
SCH Title : PSoC™ 6 Wi-Fi Bluetooth® Pioneer Kit


Page Title : Type-C Controller

Size A4	Document Number 630-60435-01	Drawn By AARA, TAVA	Approved By RKAD	Rev 05
------------	--	-------------------------------	----------------------------	------------------

Date: Friday, December 22, 2023

Sheet 7 of 16





CYPRESS SEMICONDUCTOR
 198 CHAMPION COURT
 SAN JOSE, CA 95134
 (408) 943-2600

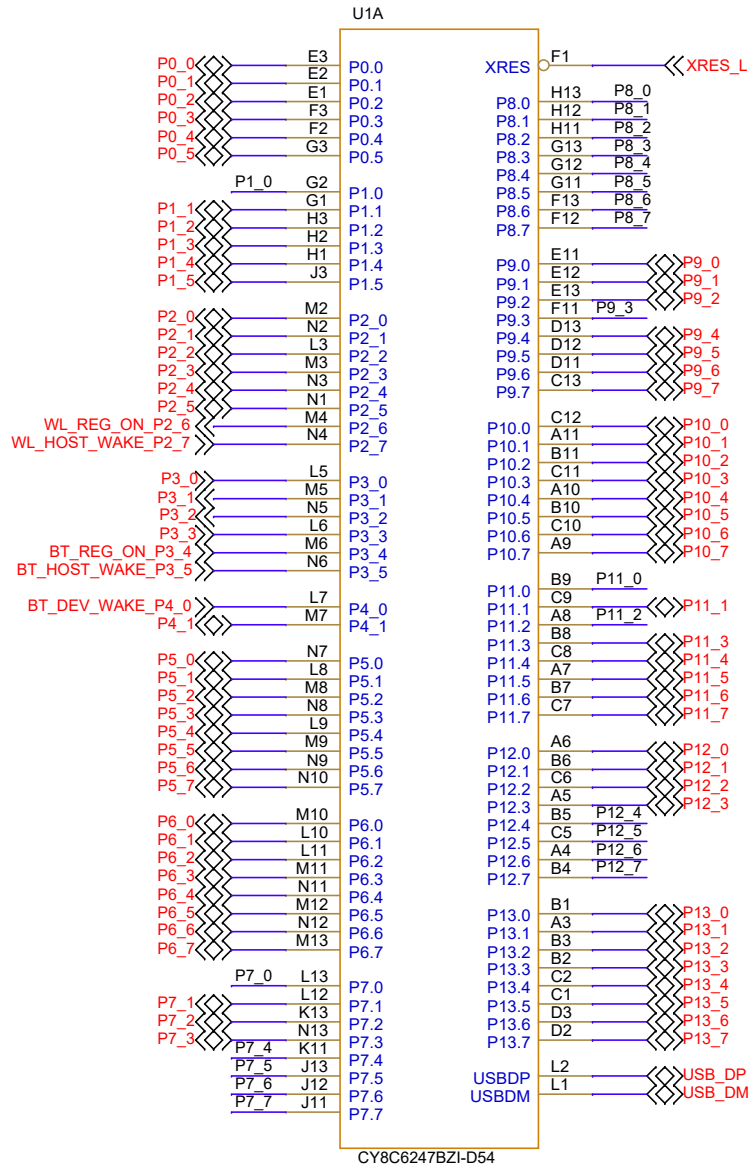
CYPRESS SEMICONDUCTOR © 2017

SCH Title : PSoC™ 6 Wi-Fi Bluetooth® Pioneer Kit

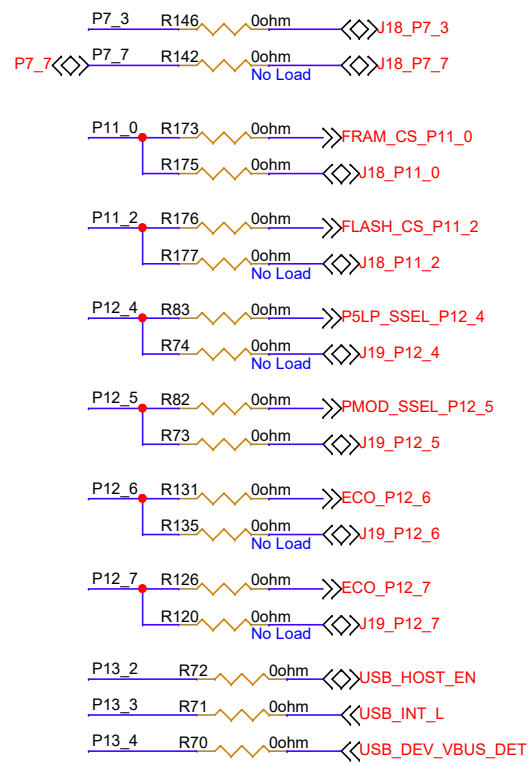
Page Title : PSoC 6 Power

Size A4	Document Number 630-60435-01	Drawn By AARA, TAVA	Approved By RKAD	Rev 05
Date: Friday, December 22, 2023		Sheet 9 of 16		

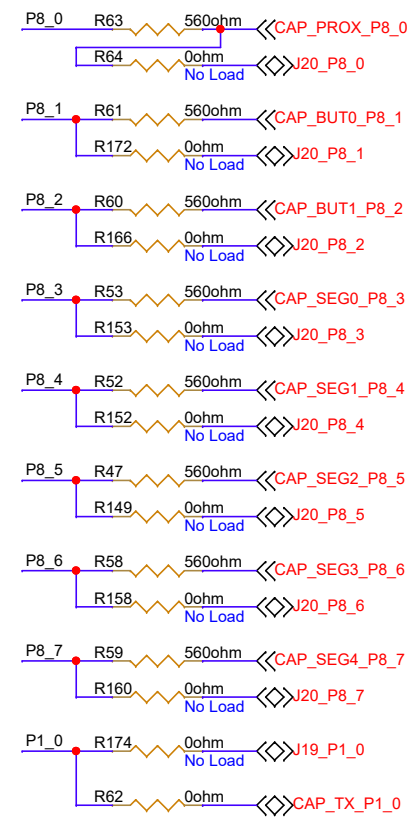
PSoC 6 Signals



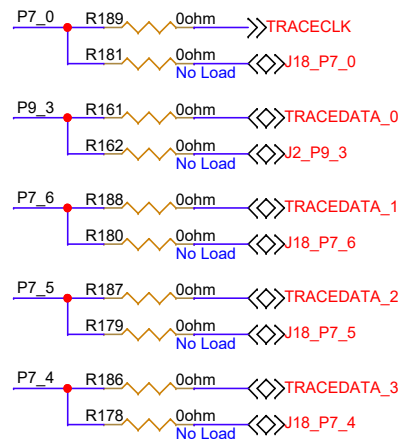
Additional Multiplexed Pins



CapSense Multiplexed Pins



TRACE Multiplexed Pins



WL_HOST_WAKE_P2_7 R133 0ohm No Load P0_4

Note: Option for WLAN to wake PSoc 6 from Hibernate



CYPRESS
EMBEDDED IN TOMORROW™

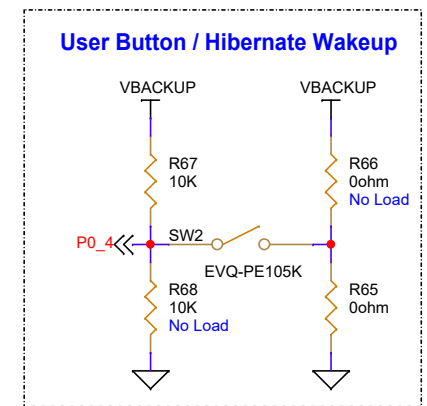
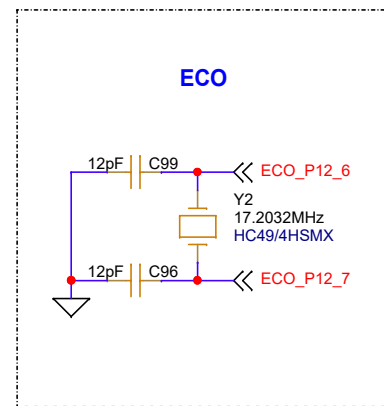
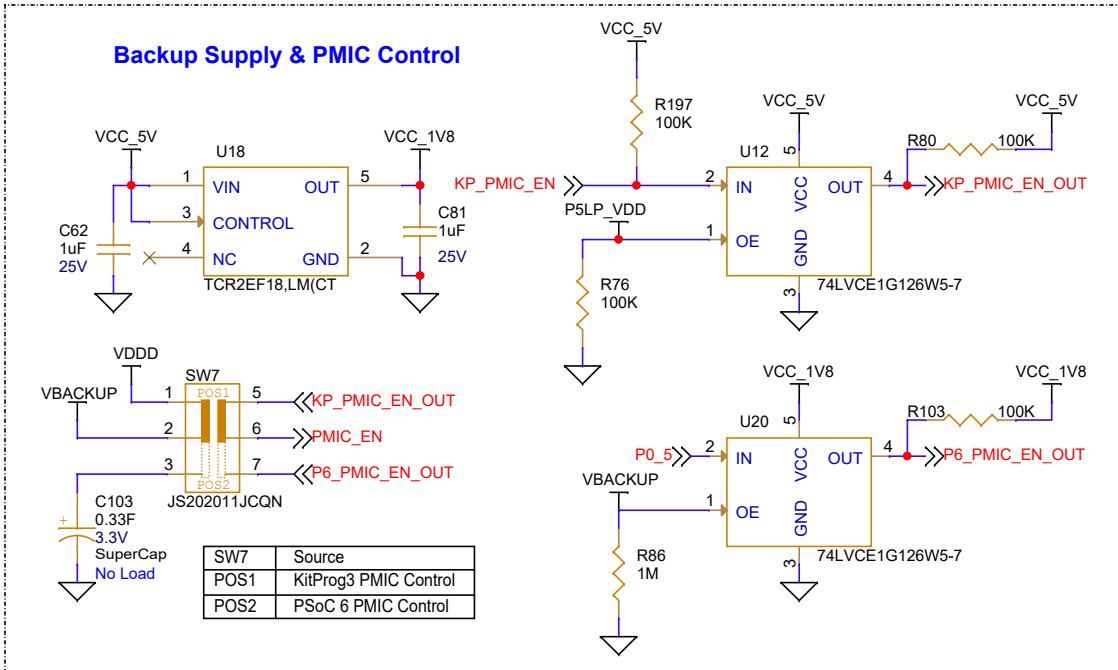
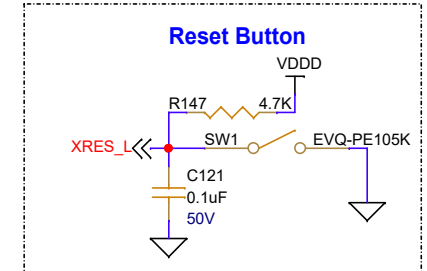
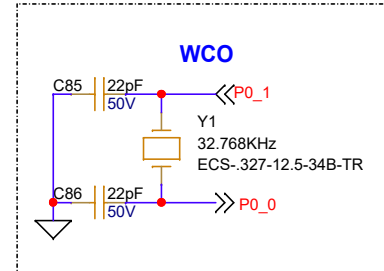
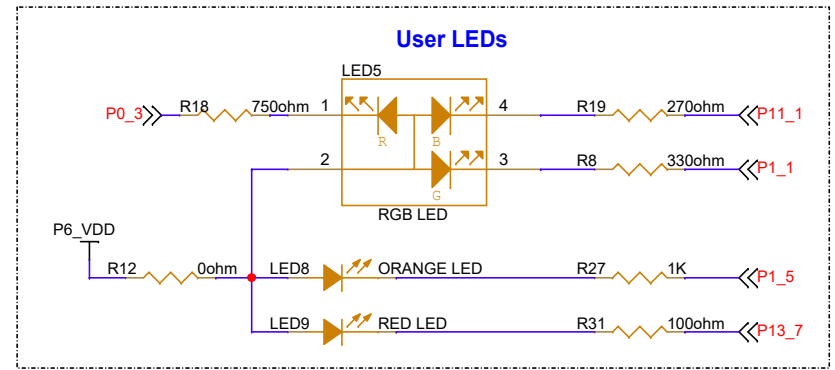
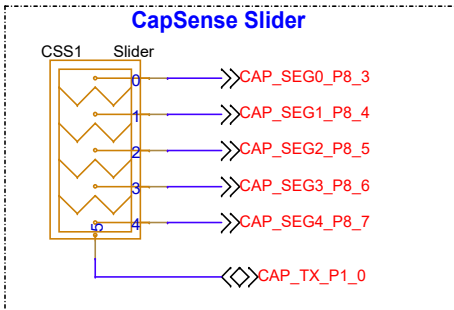
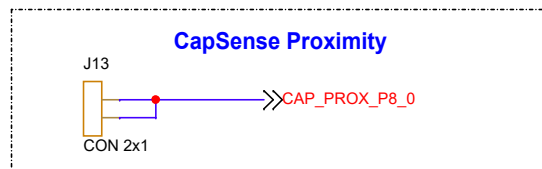
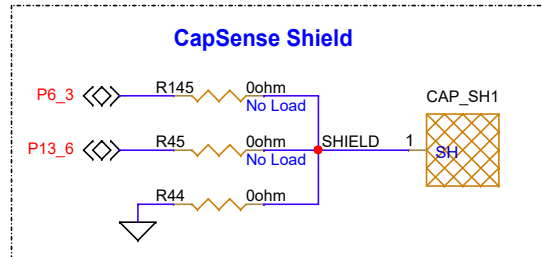
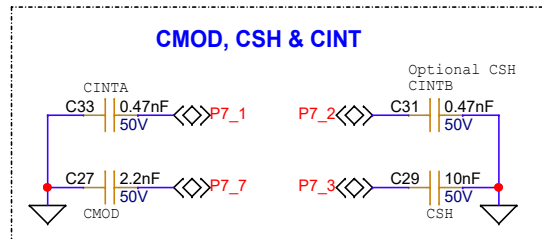
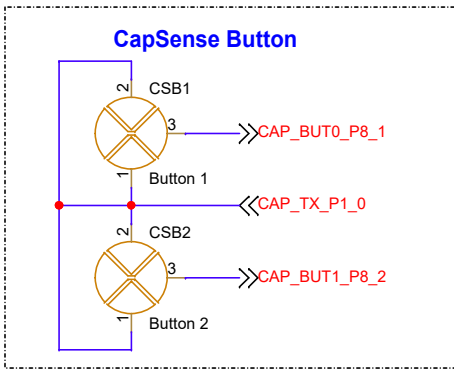
CYPRESS SEMICONDUCTOR
198 CHAMPION COURT
SAN JOSE, CA 95134
(408) 943-2600

CYPRESS SEMICONDUCTOR © 2017

SCH Title : PSoc™ 6 Wi-Fi Bluetooth® Pioneer Kit

Page Title : PSoc 6 Signals

Size A4	Document Number 630-60435-01	Drawn By AARA, TAVA	Approved By RKAD	Rev 05
Date: Friday, December 22, 2023	Sheet 10 of 16			

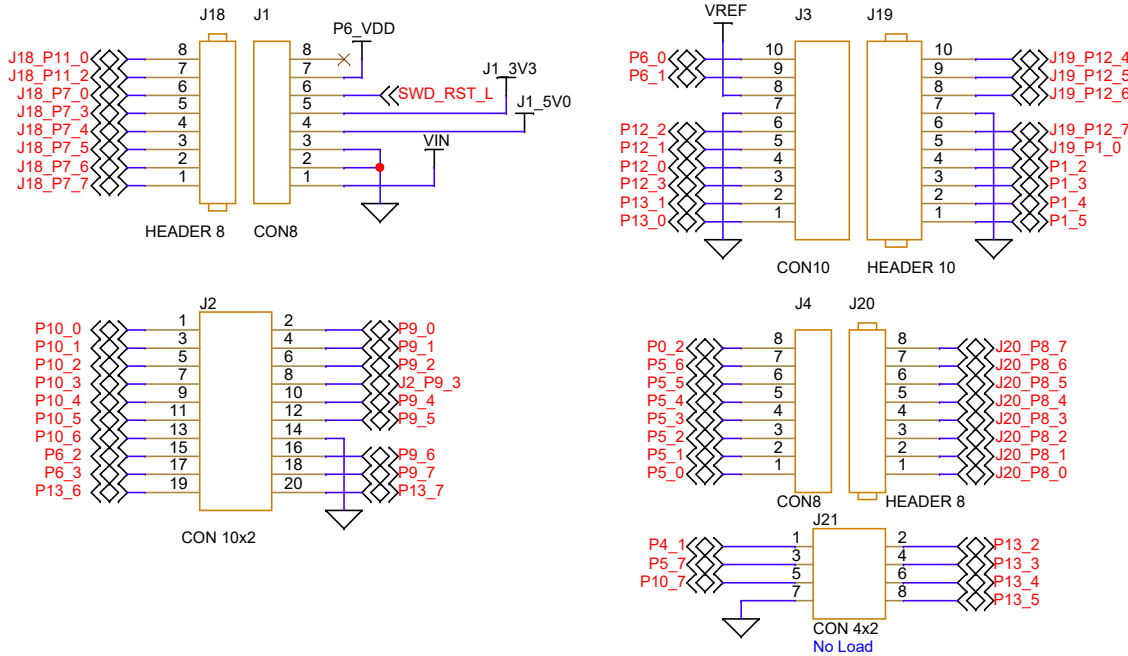


CYPRESS
 EMBEDDED IN TOMORROW™

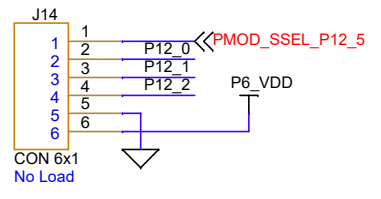
CYPRESS SEMICONDUCTOR
 198 CHAMPION COURT
 SAN JOSE, CA 95134
 (408) 943-2600

CYPRESS SEMICONDUCTOR © 2017				
SCH Title : PSoC™ 6 Wi-Fi Bluetooth® Pioneer Kit				
Page Title : On-board peripherals				
Size A4	Document Number 630-60435-01	Drawn By AARA, TAVA	Approved By RKAD	Rev 05
Date: Friday, December 22, 2023	Sheet 11 of 16			

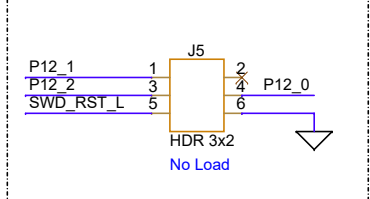
Arduino & Extended Headers



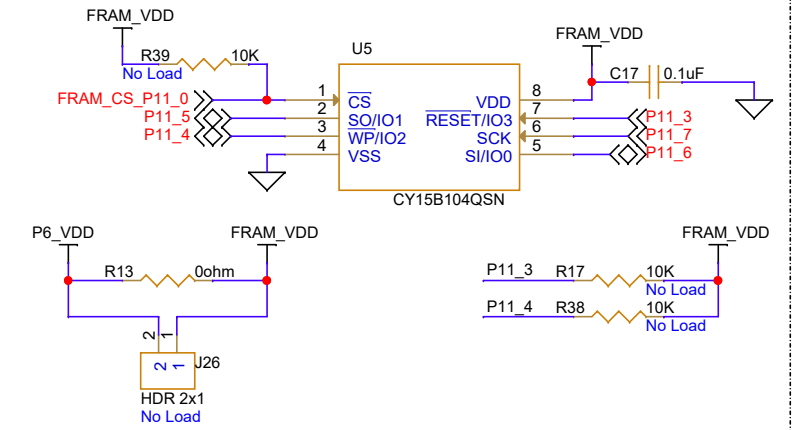
PMOD Header



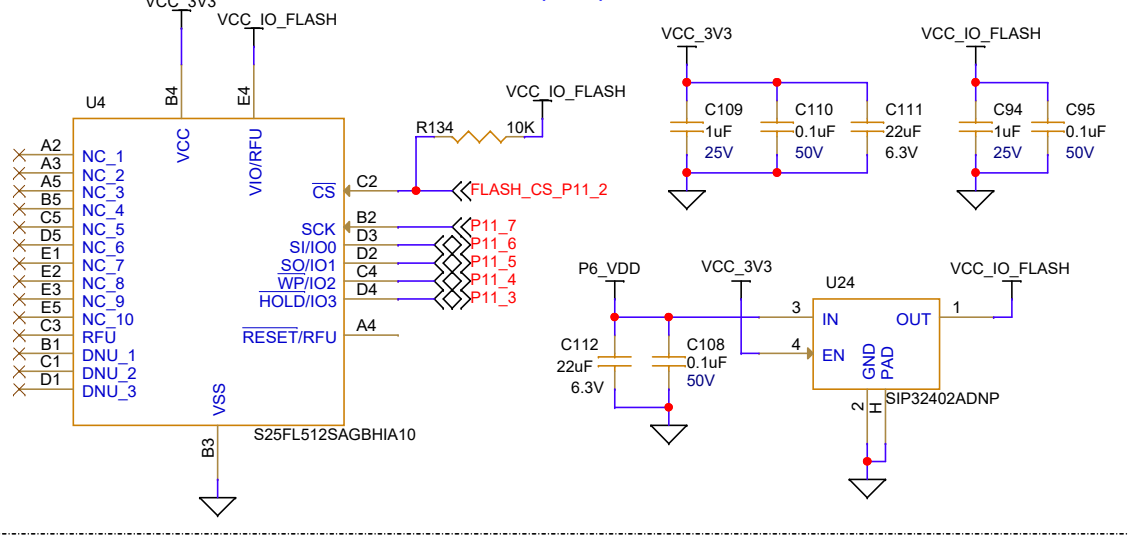
ICSP Header




FRAM



QSPI Flash (SMIF)





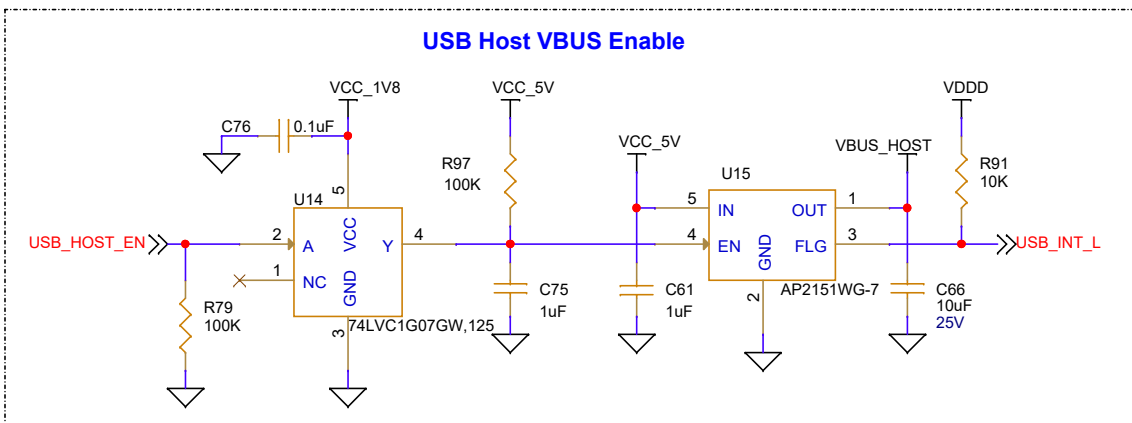
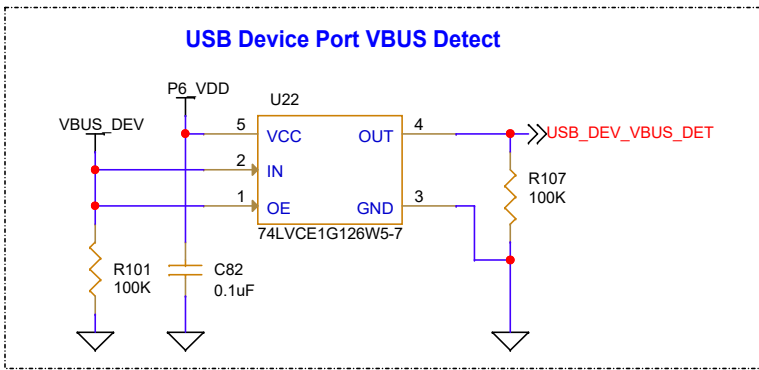
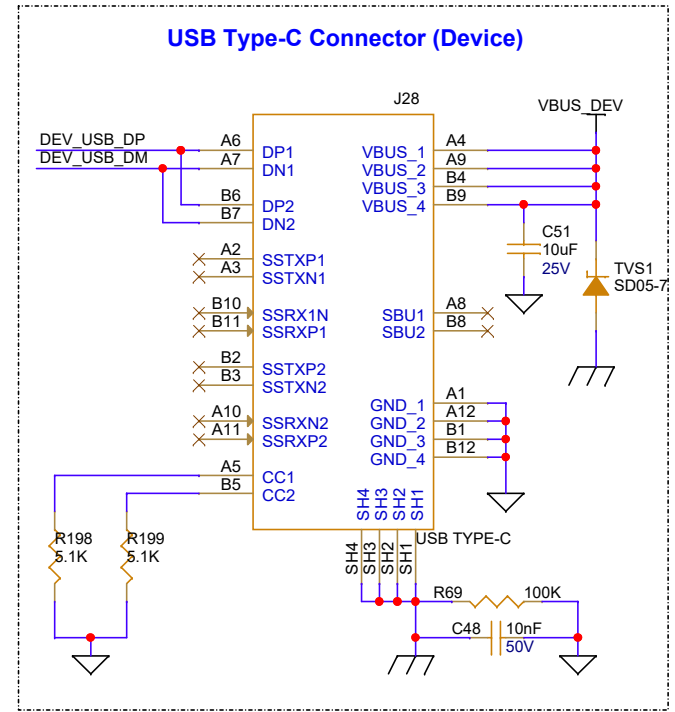
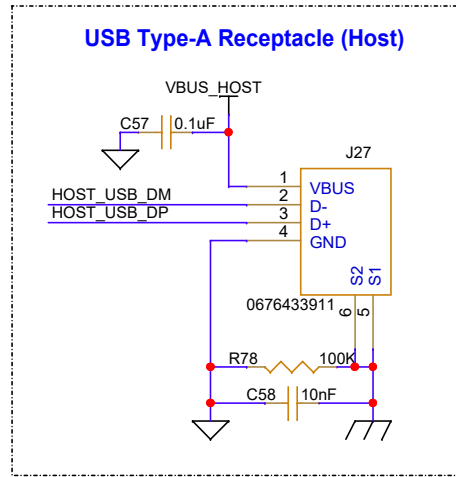
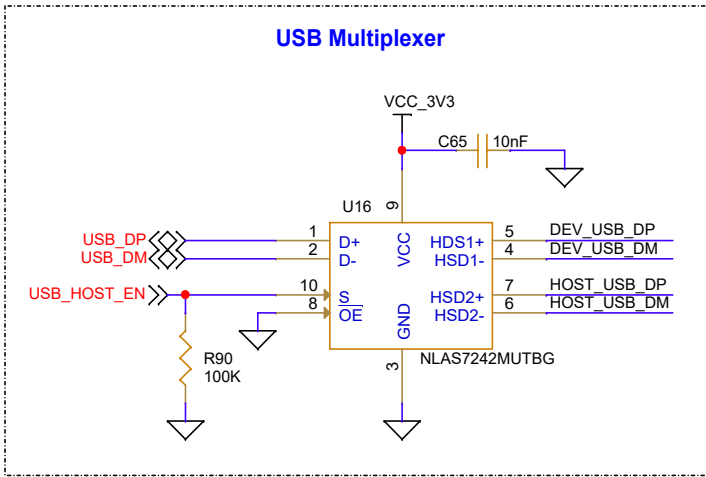
CYPRESS SEMICONDUCTOR
198 CHAMPION COURT
SAN JOSE, CA 95134
(408) 943-2600


CYPRESS SEMICONDUCTOR © 2017

SCH Title : PSoC™ 6 Wi-Fi Bluetooth® Pioneer Kit

Page Title : Expansion headers & Memory

Size	Document Number	Drawn By	Approved By	Rev
A4	630-60435-01	AARA, TAVA	RKAD	05
Date:	Friday, December 22, 2023		Sheet	12 of 16





CYPRESS SEMICONDUCTOR
 198 CHAMPION COURT
 SAN JOSE, CA 95134
 (408) 943-2600

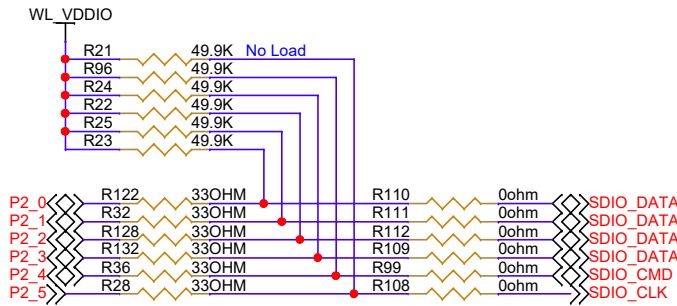
CYPRESS SEMICONDUCTOR © 2017

SCH Title : PSoC™ 6 Wi-Fi Bluetooth® Pioneer Kit

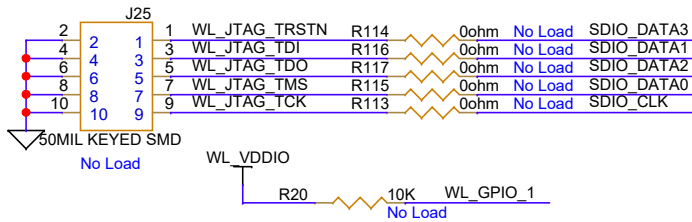
Page Title : USB Host & Device Interface

Size A4	Document Number 630-60435-01	Drawn By AARA, TAVA	Approved By RKAD	Rev 05
Date: Friday, December 22, 2023		Sheet 13 of 16		

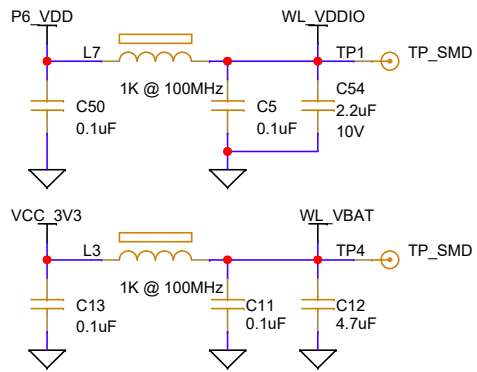
WiFi Interface with PSoC 6



Optional JTAG Interface



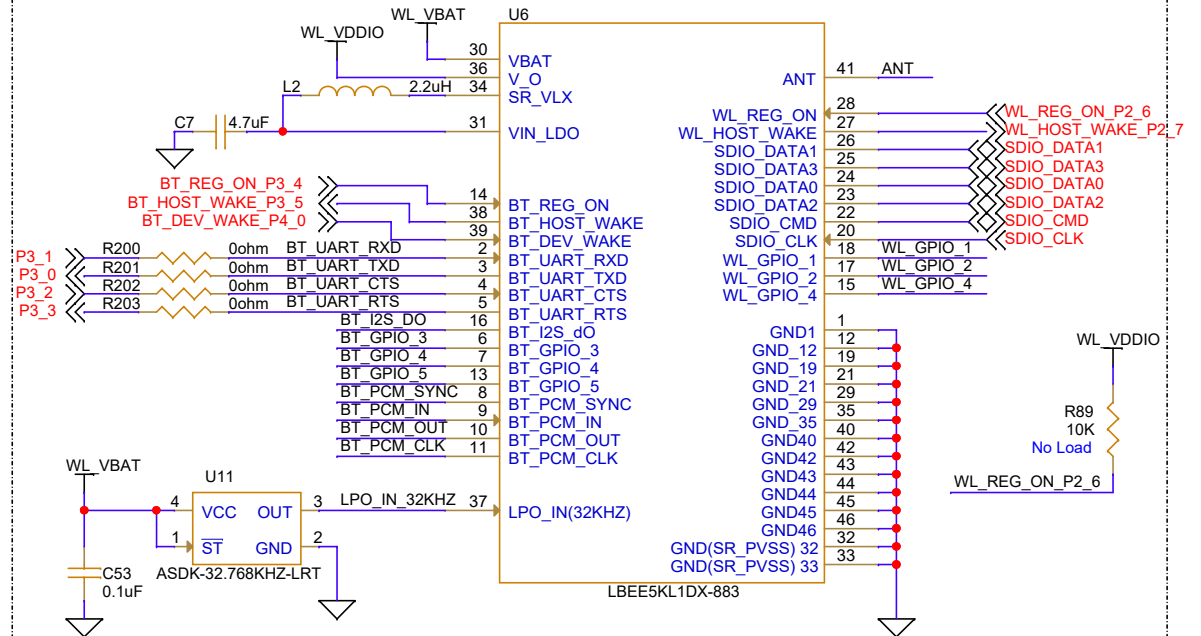
Supply for WiFi Module



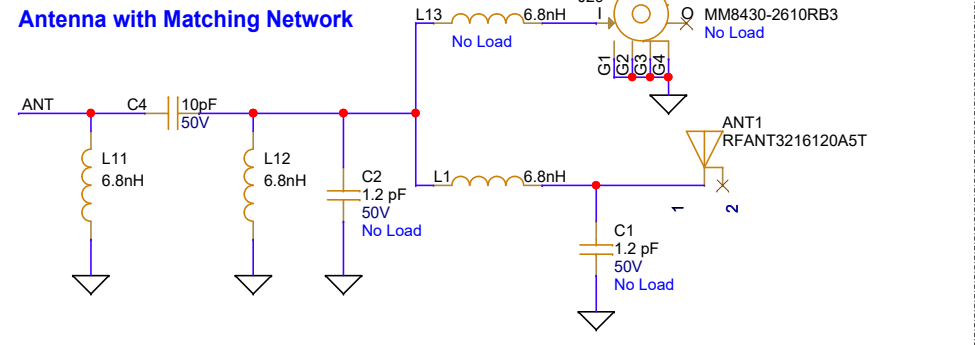
Testpoints

WL_GPIO_1	TP16	No Load
WL_GPIO_2	TP11	No Load
WL_GPIO_4	TP19	No Load
WL_REG_ON_P2_6	TP33	TP_SMD
WL_HOST_WAKE_P2_7	TP34	TP_SMD
BT_REG_ON_P3_4	TP37	TP_SMD
BT_HOST_WAKE_P3_5	TP31	TP_SMD
BT_DEV_WAKE_P4_0	TP35	TP_SMD
BT_GPIO_3	TP22	TP_SMD
BT_GPIO_4	TP23	TP_SMD
BT_GPIO_5	TP17	TP_SMD
BT_I2S_DO	TP18	TP_SMD
BT_PCM_SYNC	TP24	TP_SMD
BT_PCM_IN	TP13	TP_SMD
BT_PCM_OUT	TP14	TP_SMD
BT_PCM_CLK	TP15	TP_SMD
BT_UART_RXD	TP40	TP_SMD
BT_UART_TXD	TP41	TP_SMD
BT_UART_CTS	TP42	TP_SMD
BT_UART_RTS	TP43	TP_SMD

WiFi / BT Module



Antenna with Matching Network



CYPRESS SEMICONDUCTOR © 2017

SCH Title : PSoC™ 6 Wi-Fi Bluetooth® Pioneer Kit

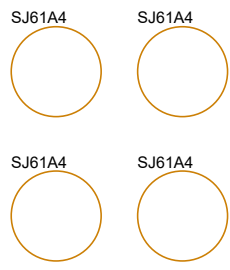
Page Title : WiFi Module Interface

Size A4	Document Number 630-60435-01	Drawn By AARA, TAVA	Approved By RKAD	Rev 05
------------	--	-------------------------------	----------------------------	------------------

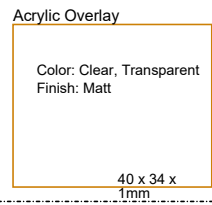
Date: Friday, December 22, 2023 Sheet 14 of 16

Accessories

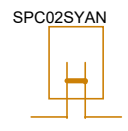
Cylindrical Bumper



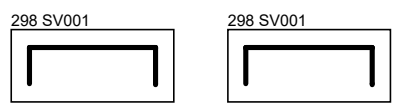
Acrylic Overlay



Jumper Shunt




USB Type-C Connector Brackets




PCBA label



 CYPRESS <small>EMBEDDED IN TOMORROW™</small>		CYPRESS SEMICONDUCTOR 198 CHAMPION COURT SAN JOSE, CA 95134 (408) 943-2600		
CYPRESS SEMICONDUCTOR © 2017				
SCH Title : PSoC™ 6 Wi-Fi Bluetooth® Pioneer Kit				
Page Title : Accessories				
Size A4	Document Number 630-60435-01	Drawn By AARA, TAVA	Approved By RKAD	Rev 05
Date: Friday, December 22, 2023			Sheet 15 of 16	

REVISION HISTORY

REV	DESCRIPTION OF CHANGE	DATE
01	Internal Release	2017/03/13
02	Internal Release	2017/09/01
03	Initial Release	2017/10/20
04	Changed WCO load capacitors C85 and C86	2020/01/29
05	Removed C103 (SuperCap) from assembly	2023/12/22

		CYPRESS SEMICONDUCTOR 198 CHAMPION COURT SAN JOSE, CA 95134 (408) 943-2600		
CYPRESS SEMICONDUCTOR © 2017				
SCH Title : PSoC™ 6 Wi-Fi Bluetooth® Pioneer Kit				
Page Title : Internal Revision History				
Size A4	Document Number 630-60435-01	Drawn By AARA, TAVA	Approved By RKAD	Rev 05
Date:	Friday, December 22, 2023		Sheet	16 of 16