

CY8CKIT-062-BLE PSoC 6 BLE Pioneer Board

CONTENTS

PAGE	DESCRIPTION
01	Title & Table of Contents
02	Block Diagram
03	Input Regulators
04	Main Variable Regulator
05	KitProg2 Controller
06	KitProg2 Power & Headers
07	Type-C Controller
08	Type-C Power Path
09	PSoC 6 BLE Power Connection
10	PSoC 6 BLE Signals
11	On-board Peripherals
12	Expansion Headers & Memory
13	Accessories & PCB Artwork
14	Revision History

Drawing Numbers

PCBA	121-60367-01
PCB	600-60380-01
FAB DRW	610-60337-01
ASSY DRW	620-60345-01
SCH DRW	630-60357-01



CYPRESS
EMBEDDED IN TOMORROW™

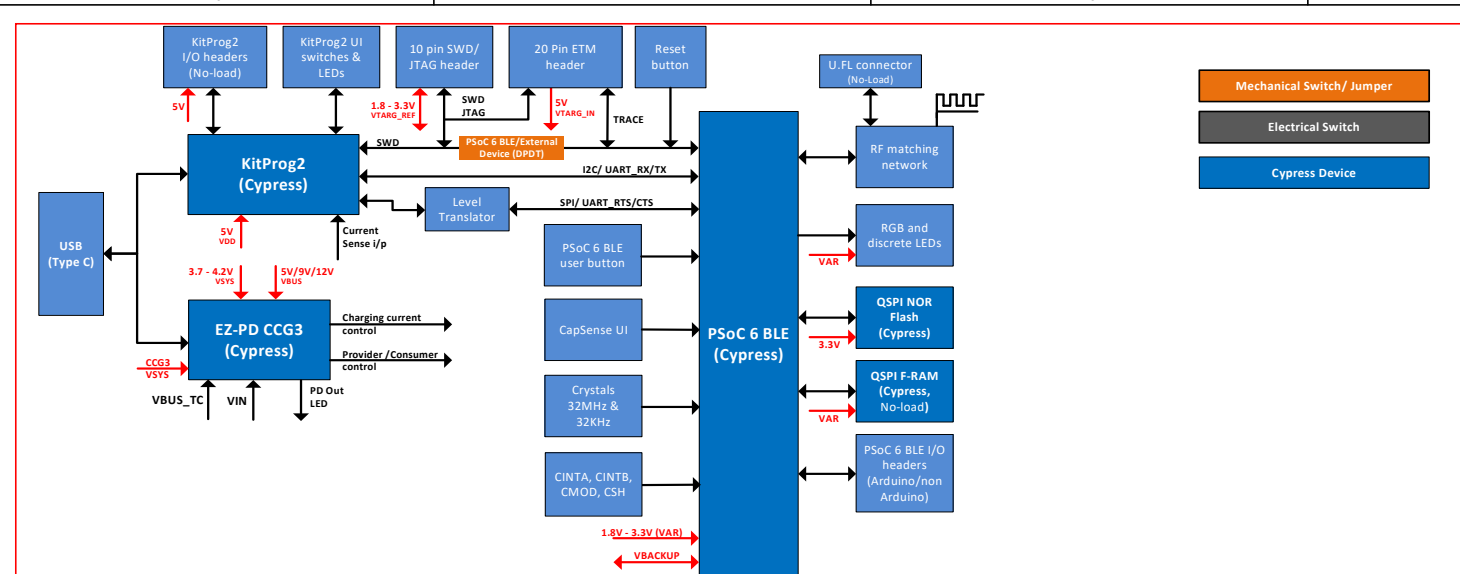
CYPRESS SEMICONDUCTOR
198 CHAMPION COURT
SAN JOSE, CA 95134
(408) 943-2600

CYPRESS SEMICONDUCTOR © 2018

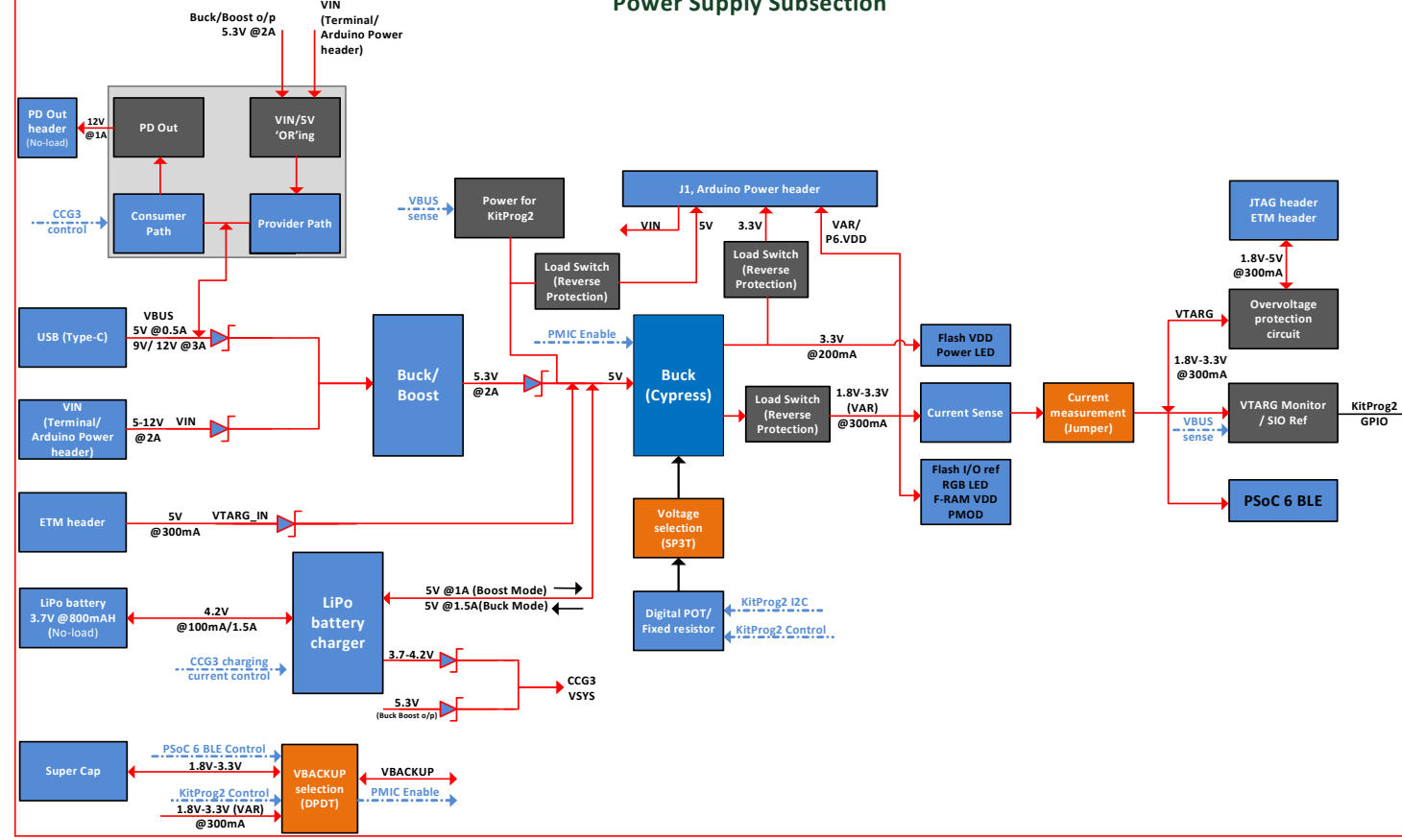
SCH Title : **CY8CKIT-062-BLE PSoC 6 BLE Pioneer Board**


Page Title : **Title & Table of Contents**

Size A4	Document Number 630-60357-01	Drawn By RKPM	Approved By RKAD	Rev 06
Date:	Tuesday, January 21, 2020		Sheet	1 of 14



Power Supply Subsection





CYPRESS
EMBEDDED IN TOMORROW™

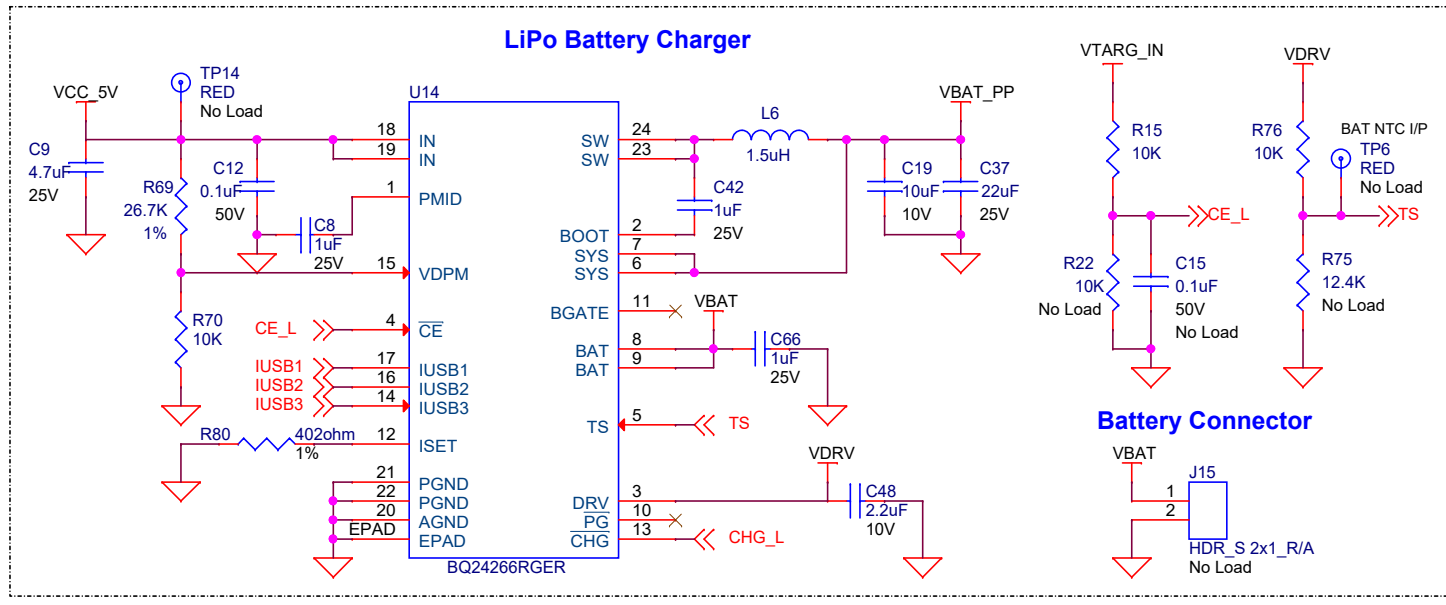
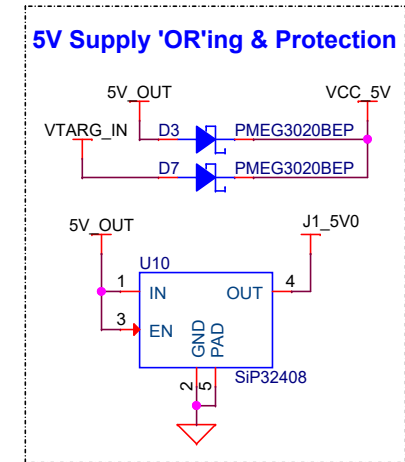
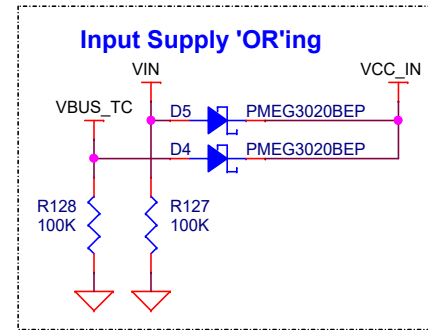
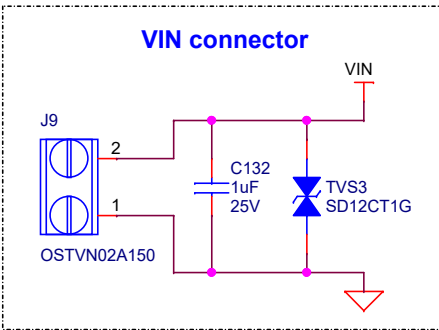
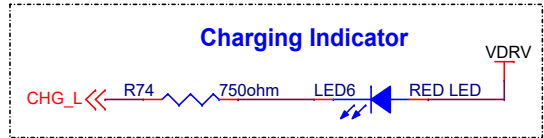
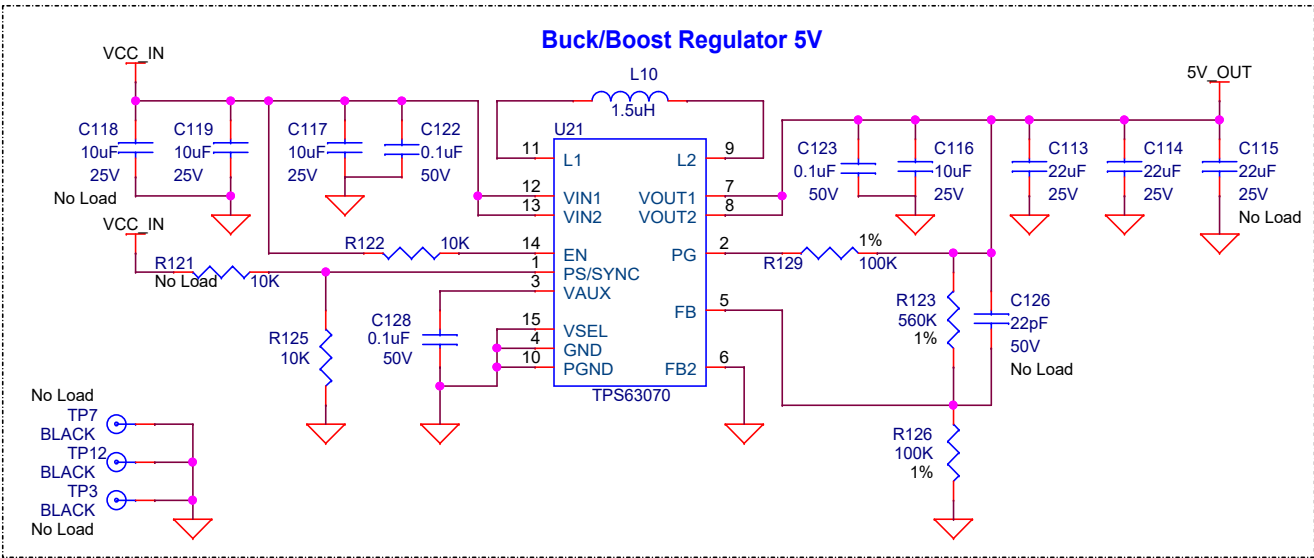
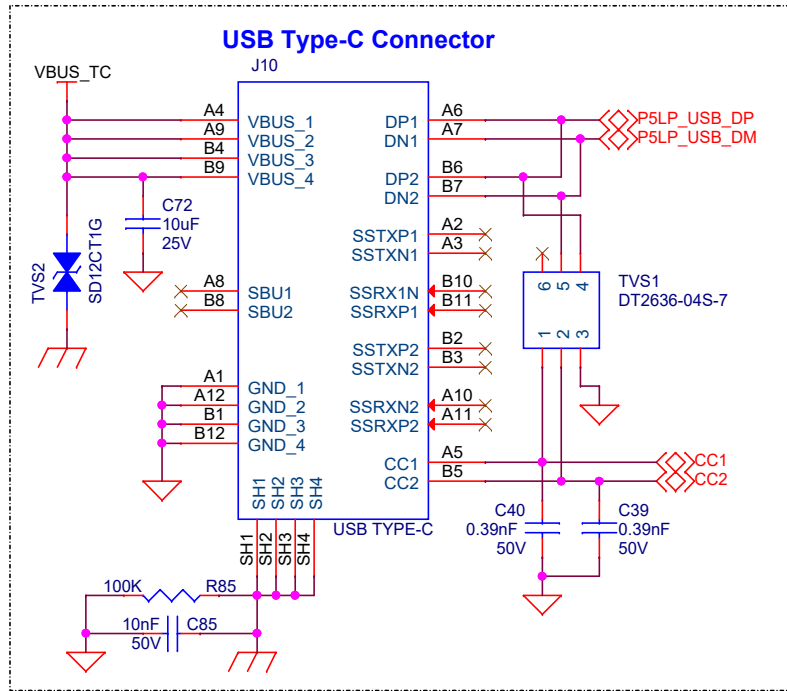
CYPRESS SEMICONDUCTOR
198 CHAMPION COURT
SAN JOSE, CA 95134
(408) 943-2600

CYPRESS SEMICONDUCTOR © 2018

SCH Title : CY8CKIT-062-BLE PSoc 6 BLE Pioneer Board

Page Title : Block Diagram

Size A4	Document Number 630-60357-01	Drawn By RKPM	Approved By RKAD	Rev 06
Date: Tuesday, January 21, 2020		Sheet 2 of 14		



CYPRESS
EMBEDDED IN TOMORROW™

CYPRESS SEMICONDUCTOR
198 CHAMPION COURT
SAN JOSE, CA 95134
(408) 943-2600

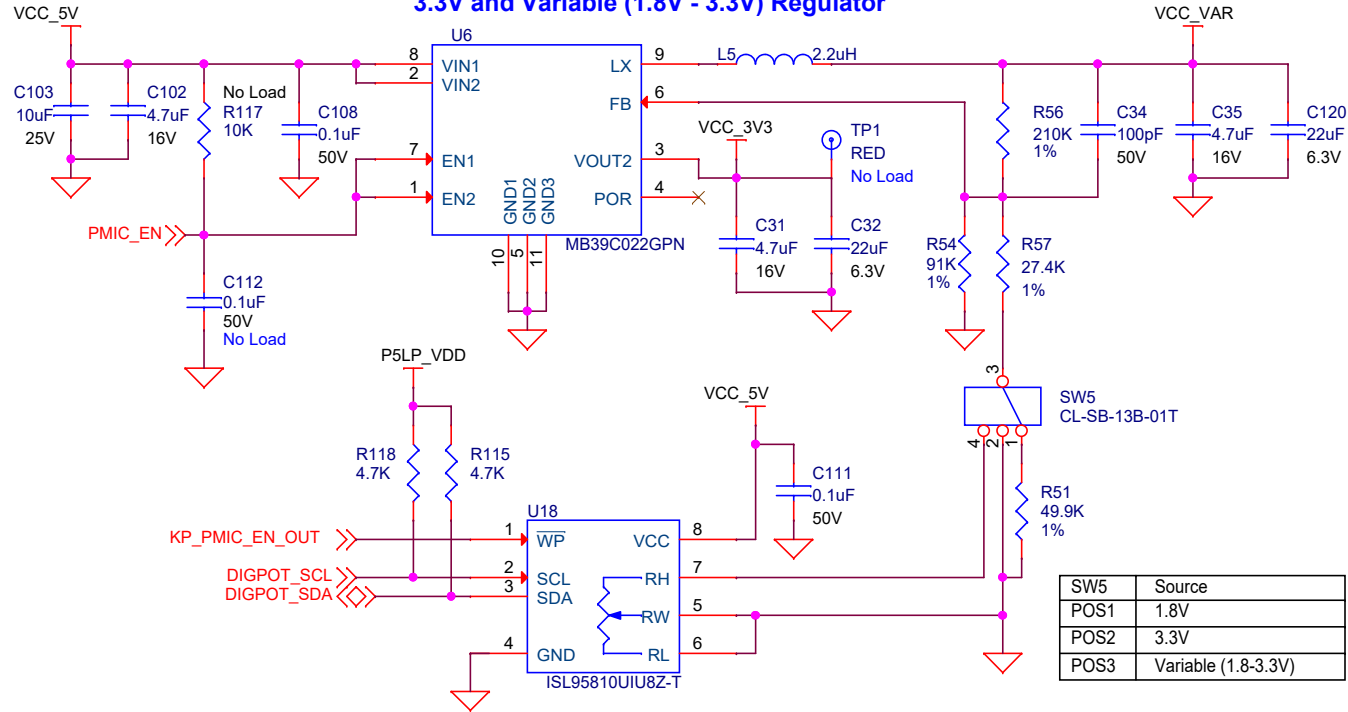
CYPRESS SEMICONDUCTOR © 2018

SCH Title : CY8CKIT-062-BLE PSoC 6 BLE Pioneer Board

Page Title : Input Regulators

Size A4	Document Number 630-60357-01	Drawn By RKPM	Approved By RKAD	Rev 06
Date:	Tuesday, January 21, 2020		Sheet	3 of 14

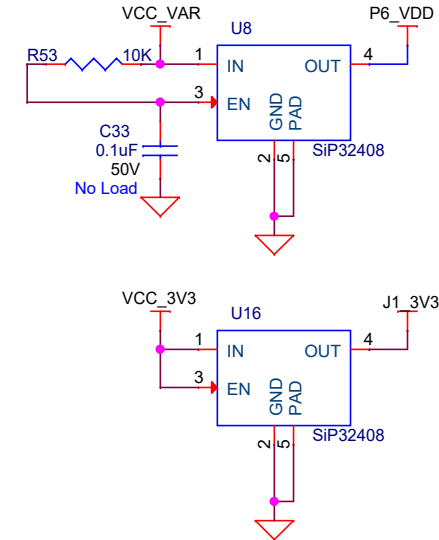
3.3V and Variable (1.8V - 3.3V) Regulator



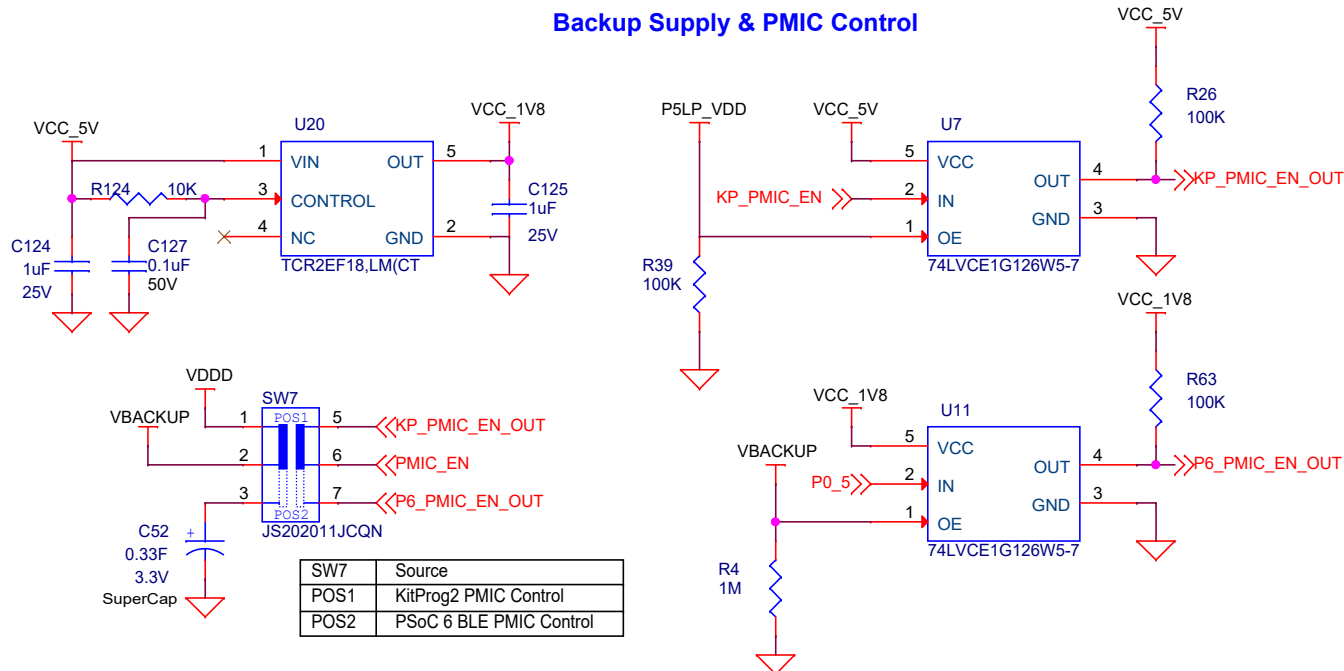
Power & Charging LED



Reverse protection



Backup Supply & PMIC Control



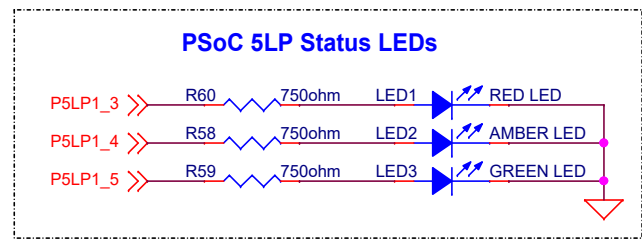
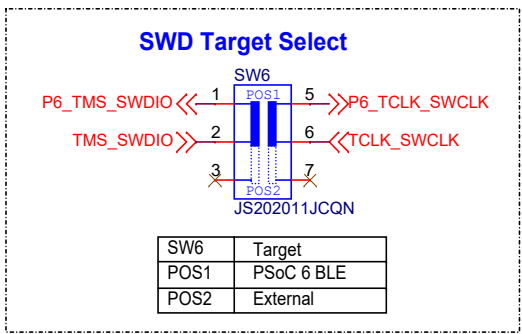
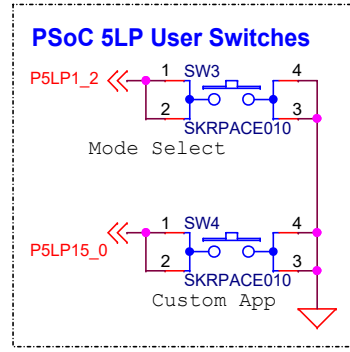
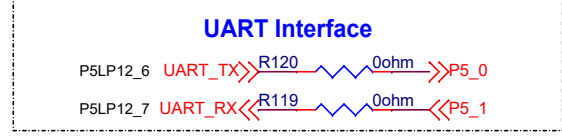
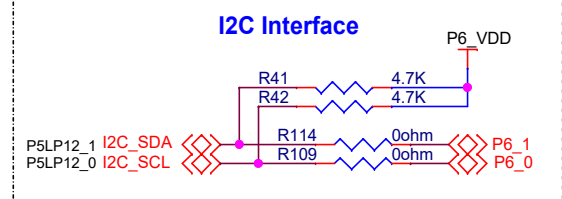
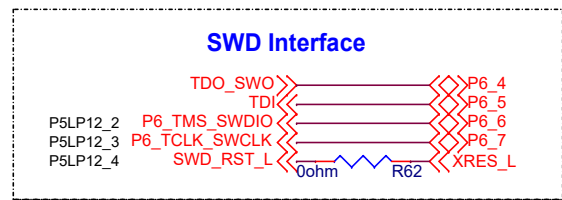
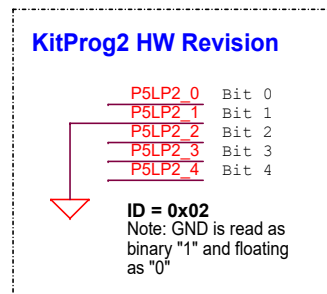
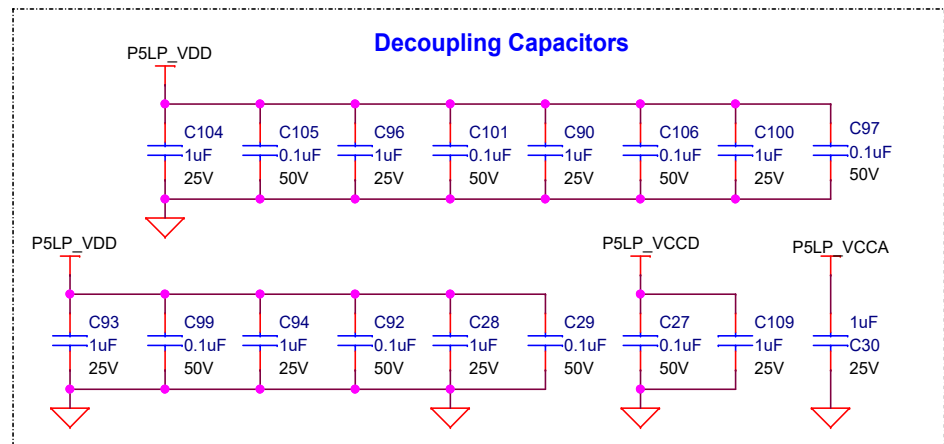
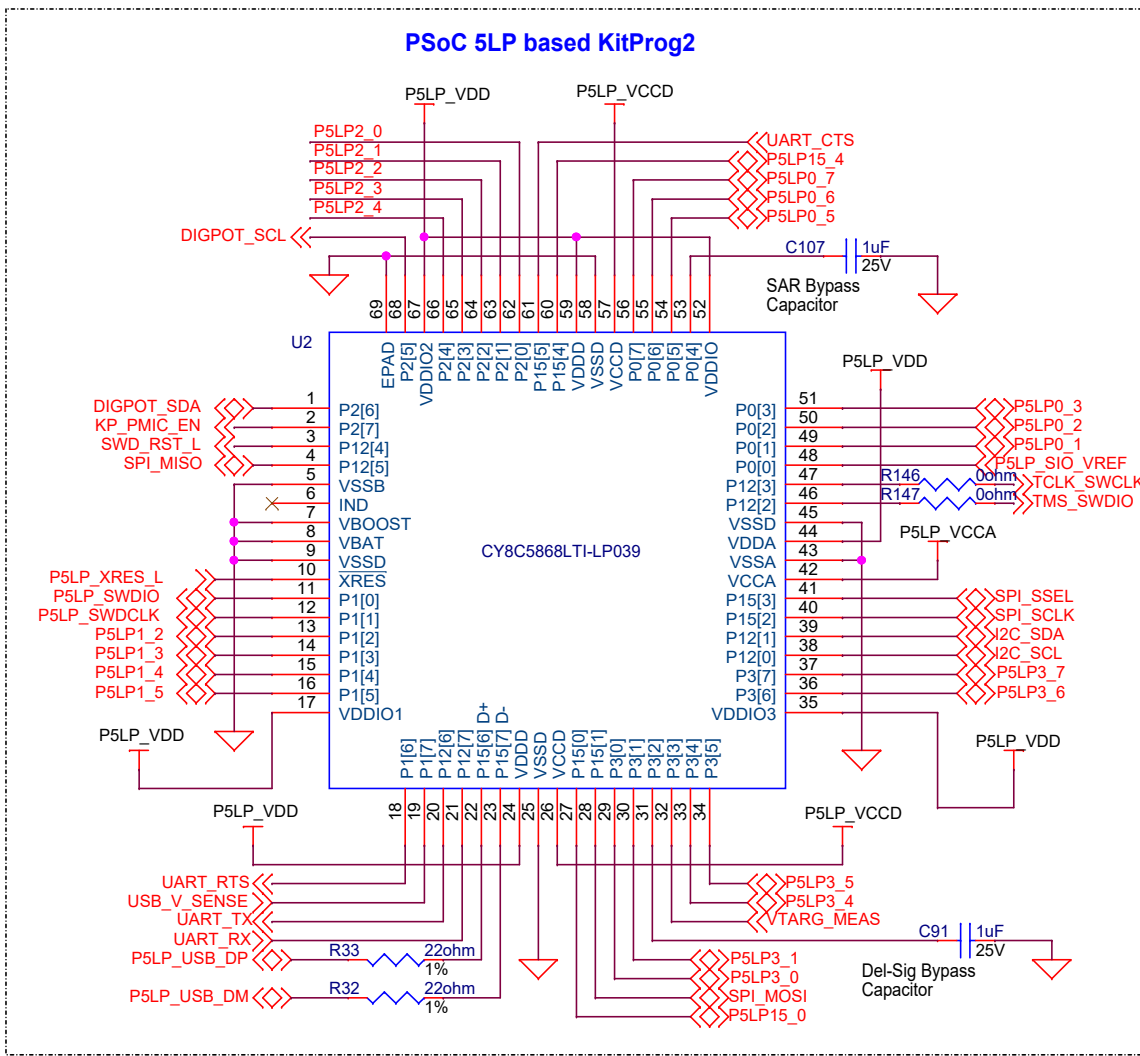
CYPRESS SEMICONDUCTOR © 2018

SCH Title : CY8CKIT-062-BLE PSoC 6 BLE Pioneer Board

Page Title : Main Variable Regulator

Size A4	Document Number 630-60357-01	Drawn By RKPM	Approved By RKAD	Rev 06
------------	--	-------------------------	----------------------------	------------------

Date: Tuesday, January 21, 2020 Sheet 4 of 14



CYPRESS
EMBEDDED IN TOMORROW™

CYPRESS SEMICONDUCTOR
198 CHAMPION COURT
SAN JOSE, CA 95134
(408) 943-2600

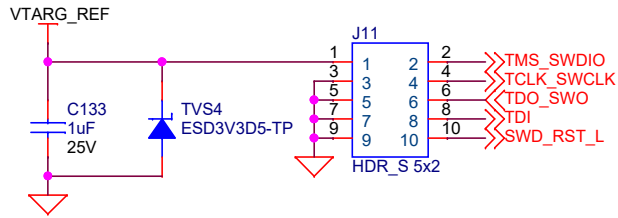
CYPRESS SEMICONDUCTOR © 2018

SCH Title : CY8CKIT-062-BLE PSoc 6 BLE Pioneer Board

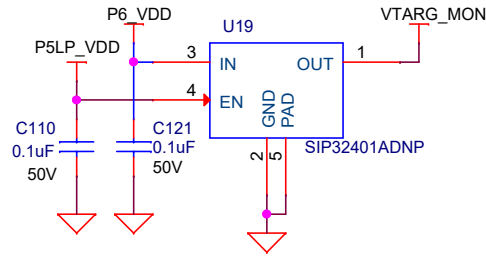
Page Title : KitProg2 Controller

Size A4	Document Number 630-60357-01	Drawn By RKPM	Approved By RKAD	Rev 06
Date: Tuesday, January 21, 2020	Sheet 5 of 14			

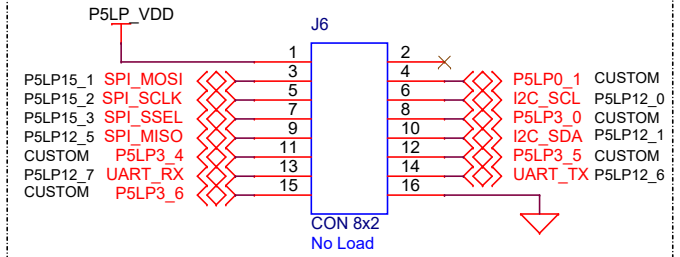
Target PSoC Program/Debug Header



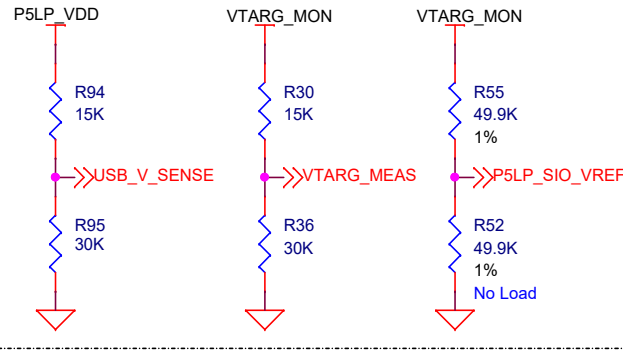
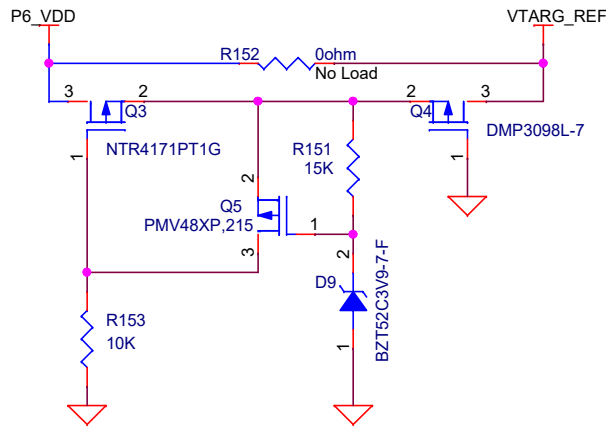
Voltage Monitoring



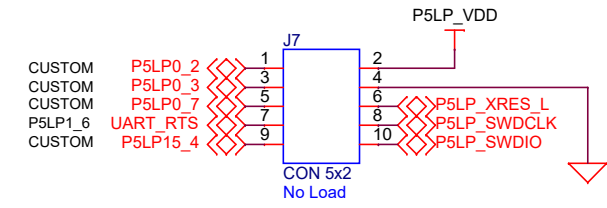
PSoC 5LP GPIO Expansion Header



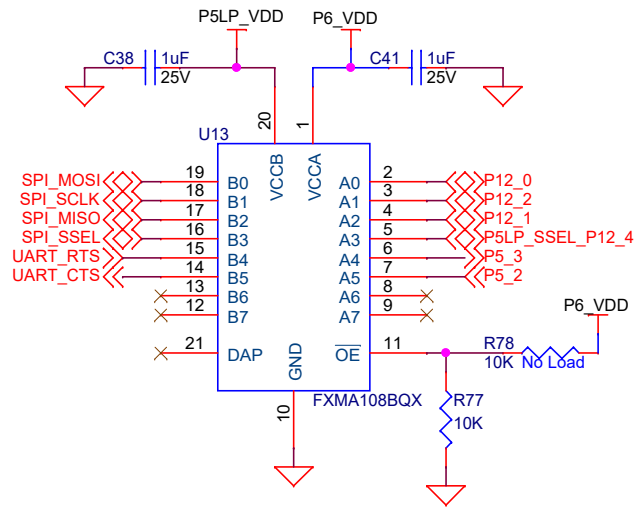
Program/Debug Overvoltage Protection



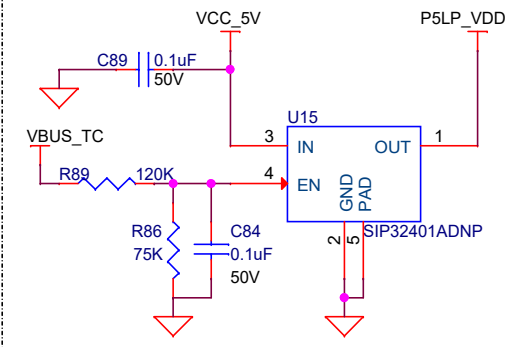
PSoC 5LP Custom Application Header



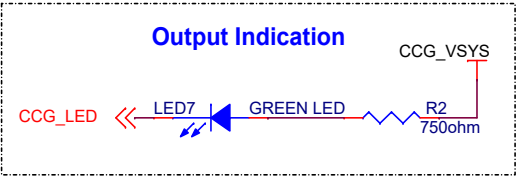
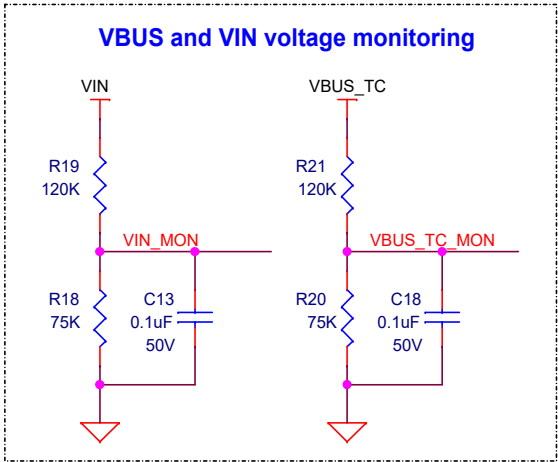
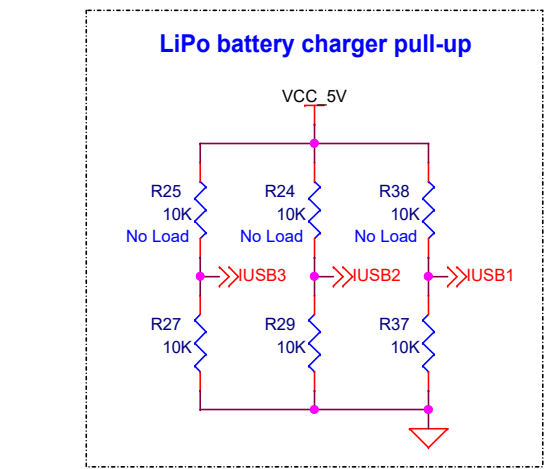
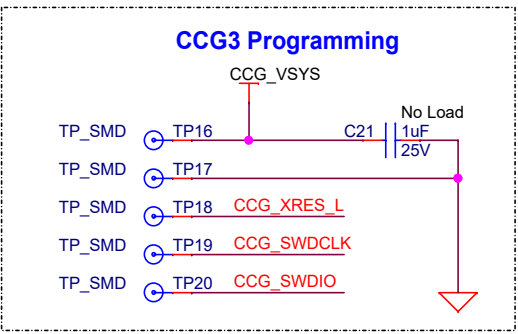
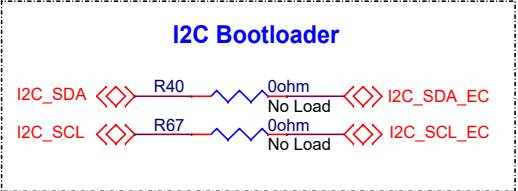
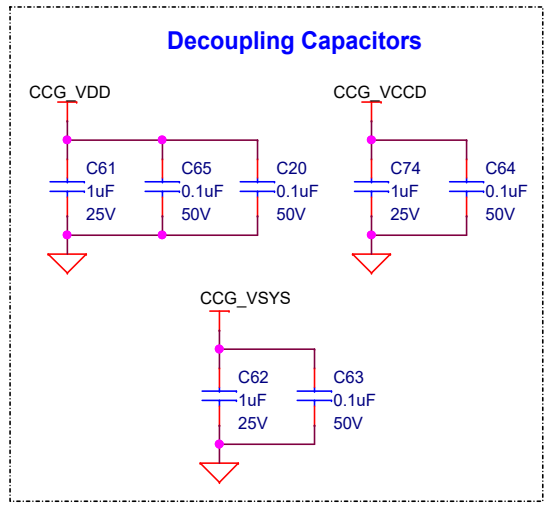
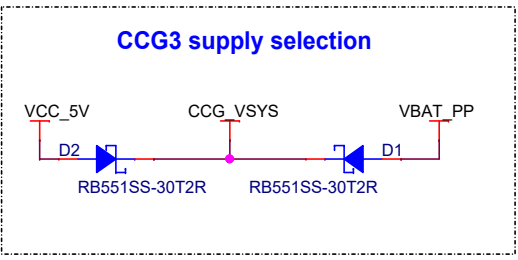
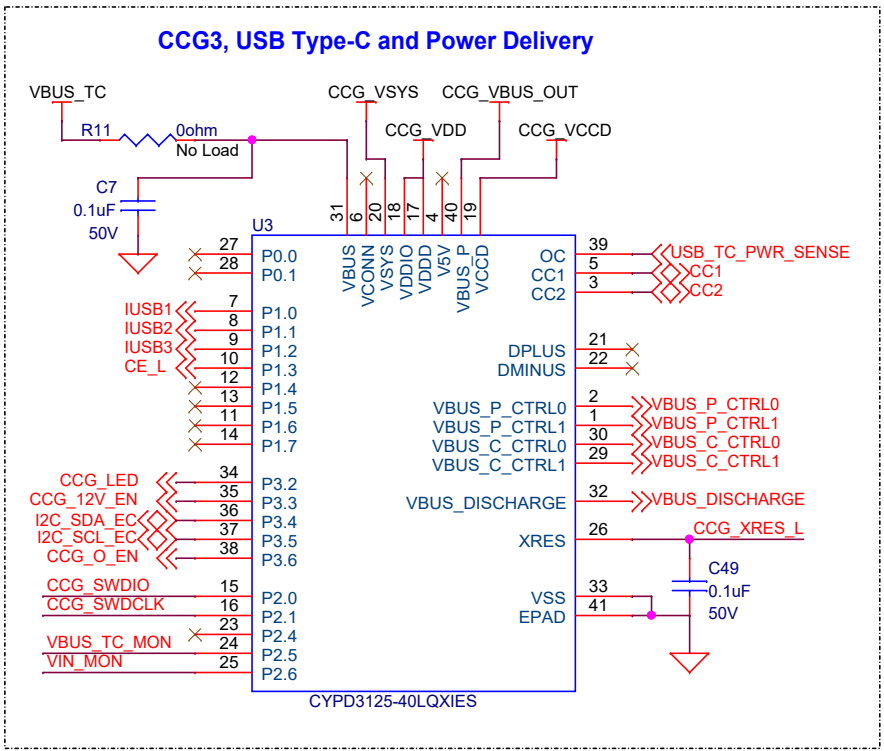
Level Translator for SPI and UART flow control




Supply for PSoC 5LP



CYPRESS SEMICONDUCTOR © 2018				
SCH Title : CY8CKIT-062-BLE PSoC 6 BLE Pioneer Board				
Page Title : KitProg2 Power & Headers				
Size A4	Document Number 630-60357-01	Drawn By RKPM	Approved By RKAD	Rev 06
Date:	Tuesday, January 21, 2020		Sheet	6 of 14





CYPRESS
EMBEDDED IN TOMORROW™

CYPRESS SEMICONDUCTOR
198 CHAMPION COURT
SAN JOSE, CA 95134
(408) 943-2600

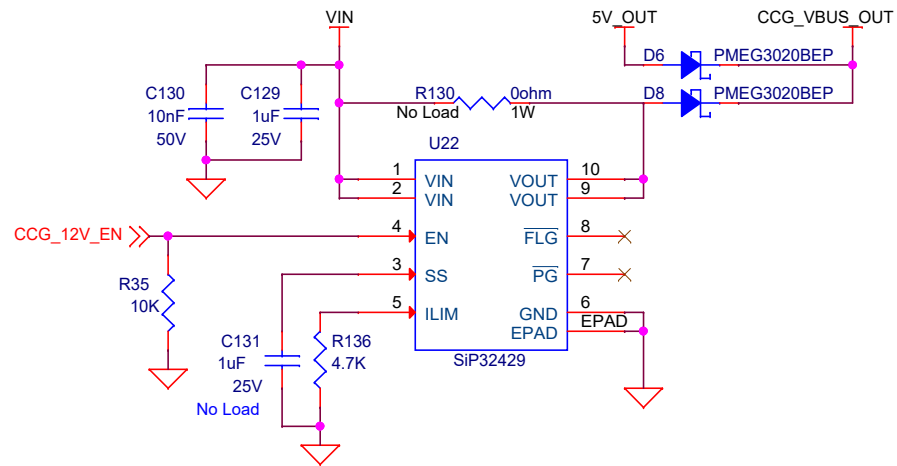
CYPRESS SEMICONDUCTOR © 2018

SCH Title : CY8CKIT-062-BLE PSoC 6 BLE Pioneer Board

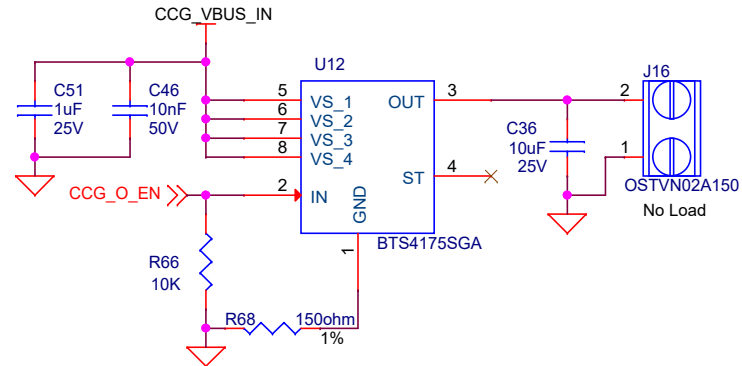
Page Title : Type-C Controller

Size A4	Document Number 630-60357-01	Drawn By RKPM	Approved By RKAD	Rev 06
Date: Tuesday, January 21, 2020		Sheet 7 of 14		

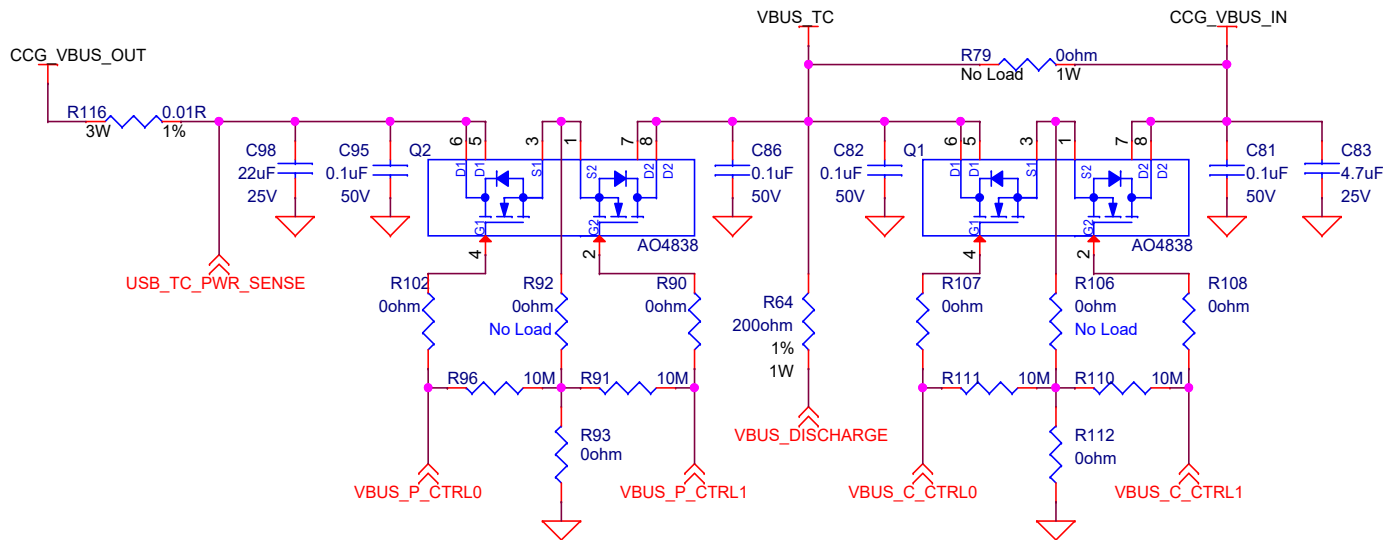
CCG3 Provider path 'OR'ing



CCG3 12V @1A Output



VBUS Provider/Consumer Path



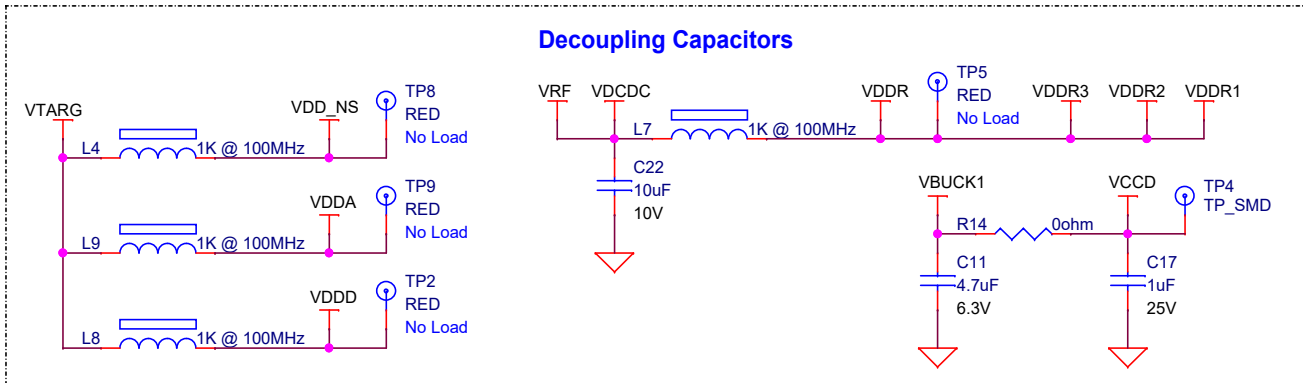
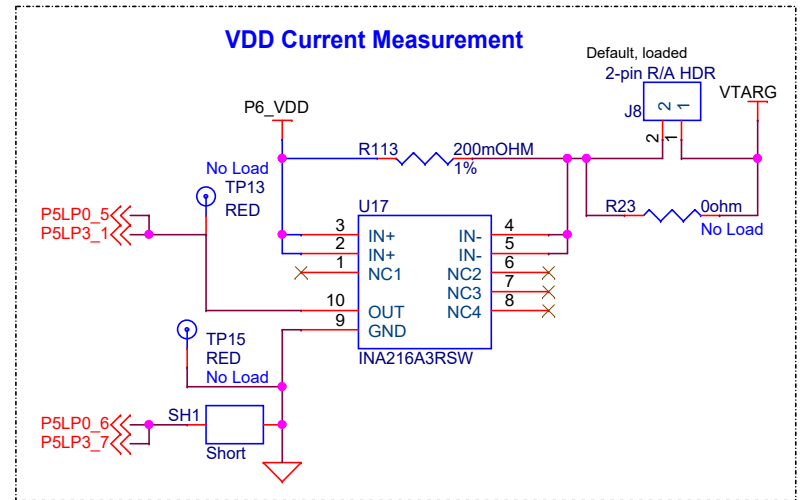
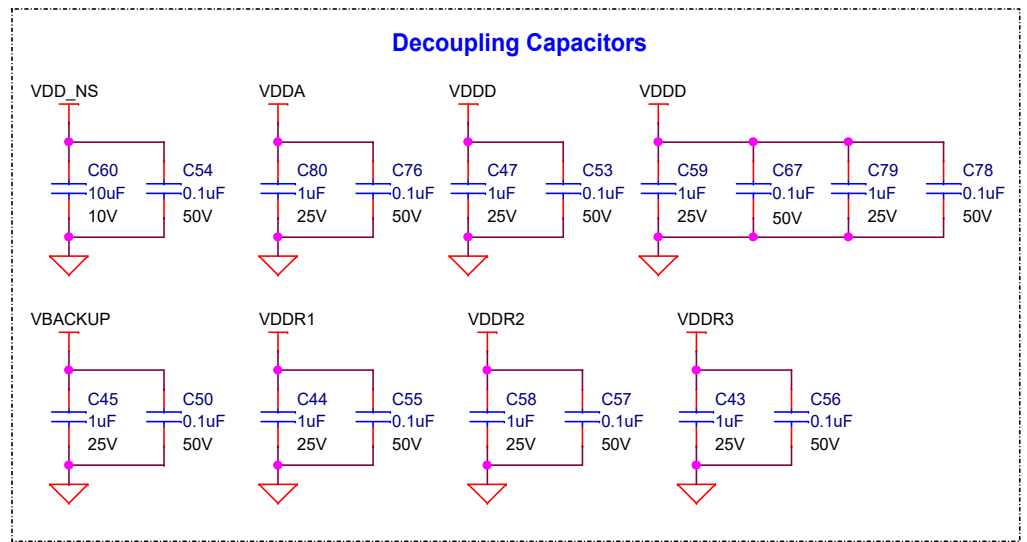
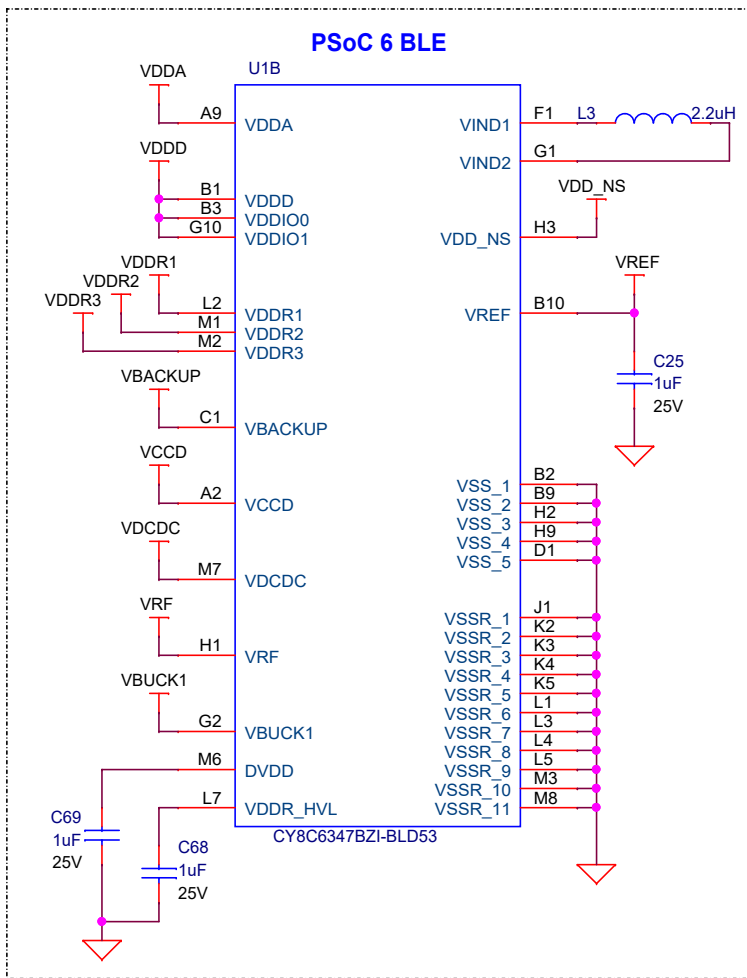
CYPRESS
EMBEDDED IN TOMORROW™
CYPRESS SEMICONDUCTOR
198 CHAMPION COURT
SAN JOSE, CA 95134
(408) 943-2600


CYPRESS SEMICONDUCTOR © 2018

SCH Title : CY8CKIT-062-BLE PSoC 6 BLE Pioneer Board

Page Title : Type-C Power Path

Size A4	Document Number 630-60357-01	Drawn By RKPM	Approved By RKAD	Rev 06
Date:	Tuesday, January 21, 2020		Sheet	8 of 14





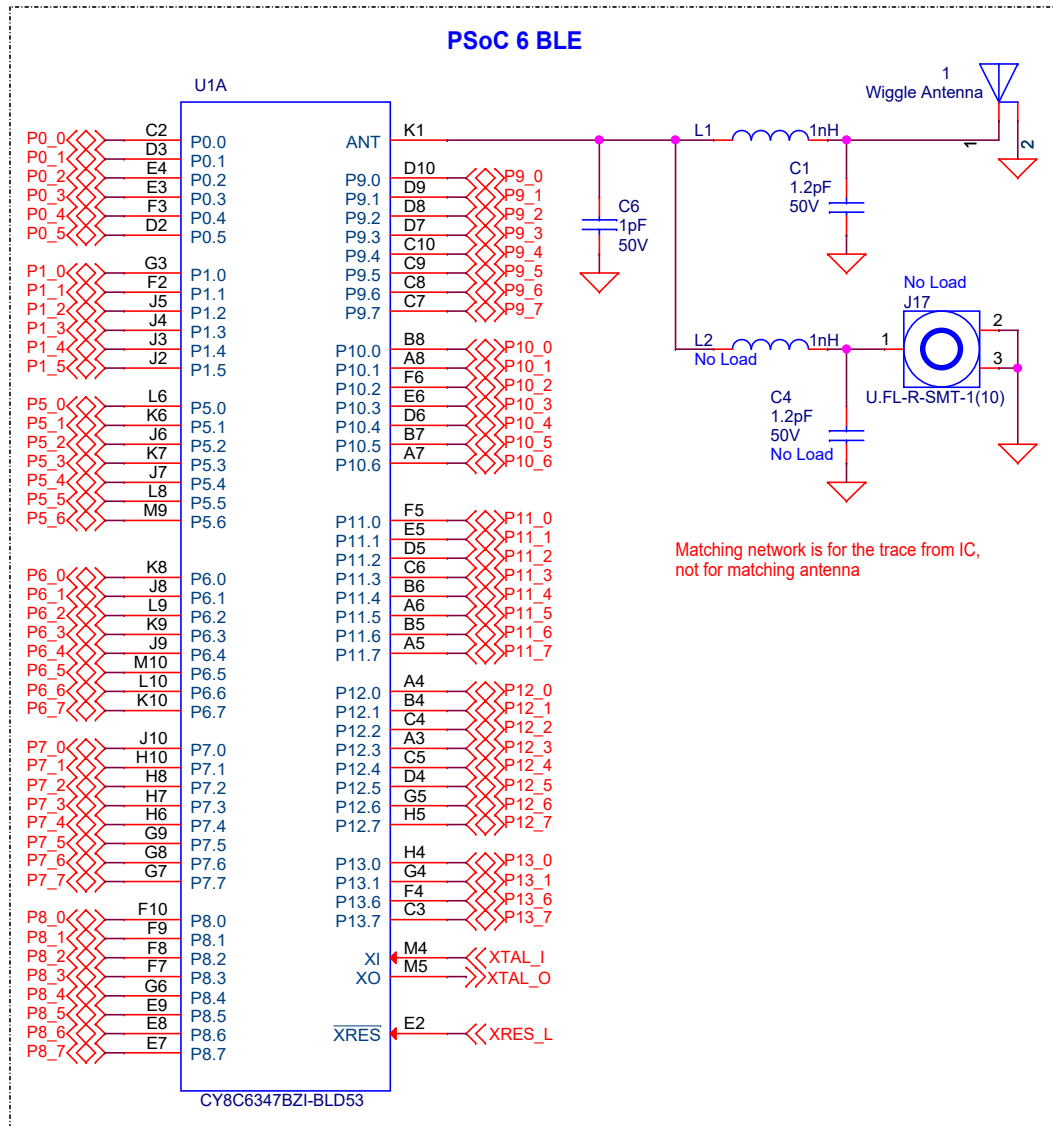
CYPRESS SEMICONDUCTOR
 198 CHAMPION COURT
 SAN JOSE, CA 95134
 (408) 943-2600

CYPRESS SEMICONDUCTOR © 2018

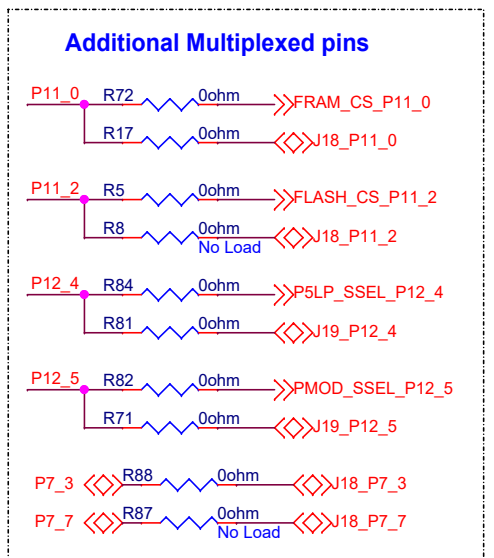
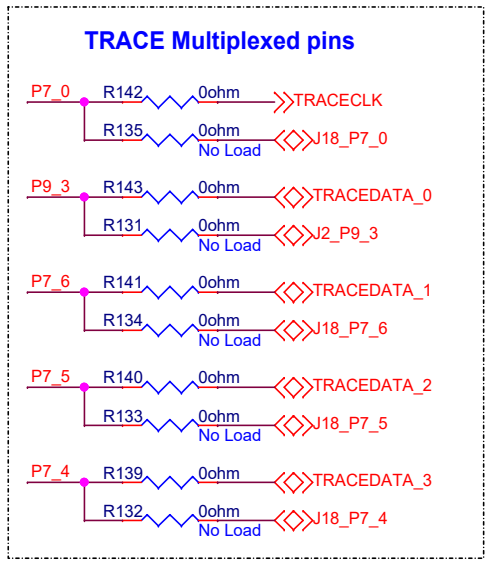
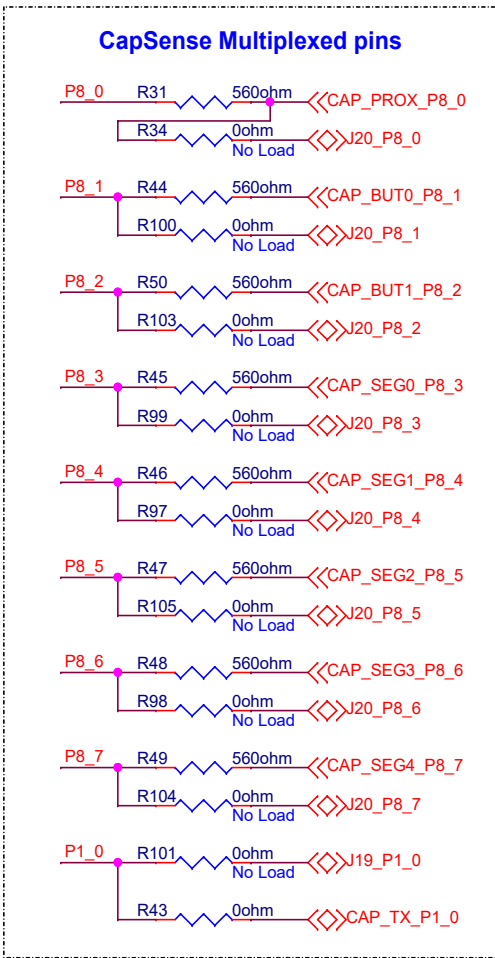
SCH Title : CY8CKIT-062-BLE PSoC 6 BLE Pioneer Board

Page Title : PSoC 6 BLE Power

Size A4	Document Number 630-60357-01	Drawn By RKPM	Approved By RKAD	Rev 06
Date: Tuesday, January 21, 2020		Sheet 9 of 14		



Matching network is for the trace from IC,
not for matching antenna



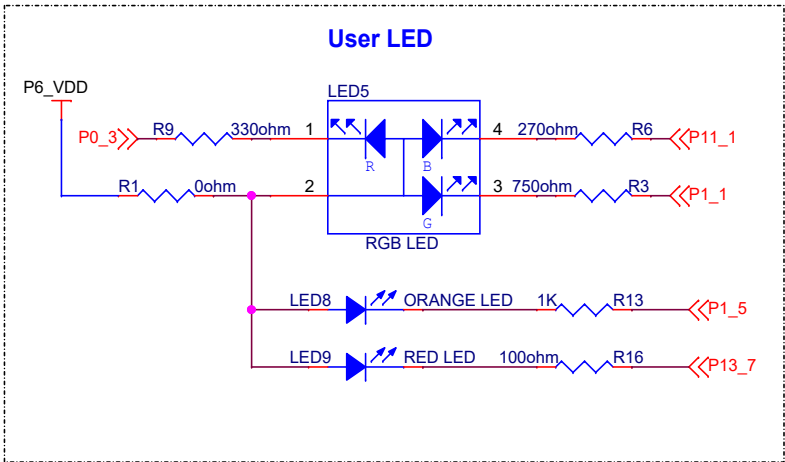
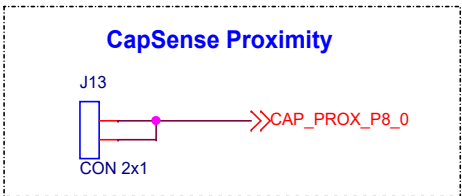
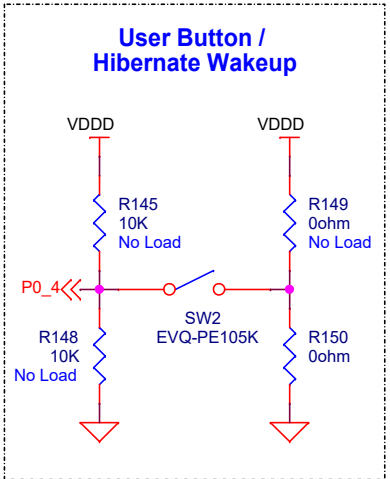
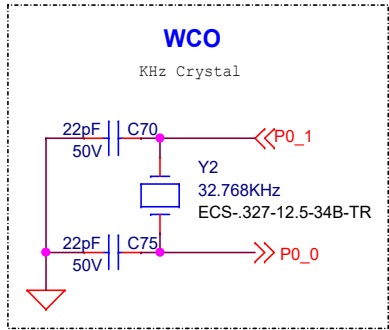
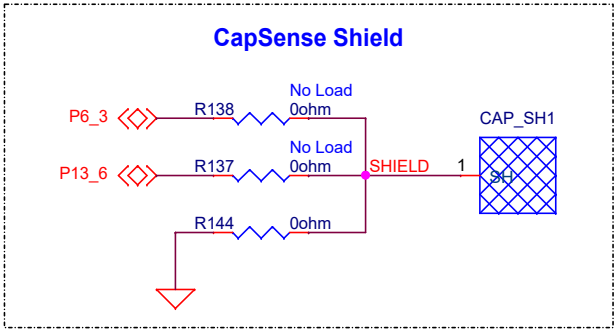
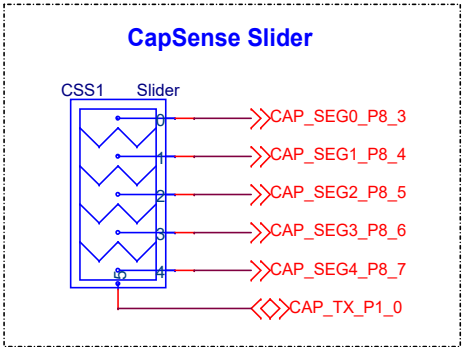
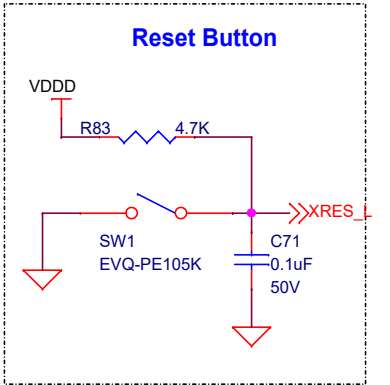
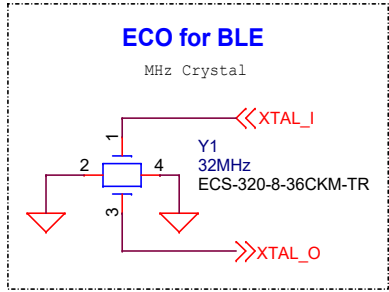
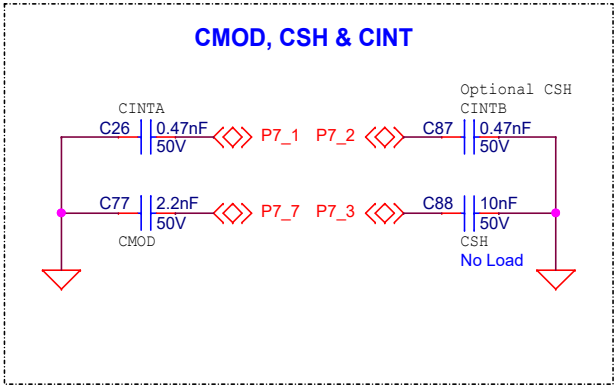
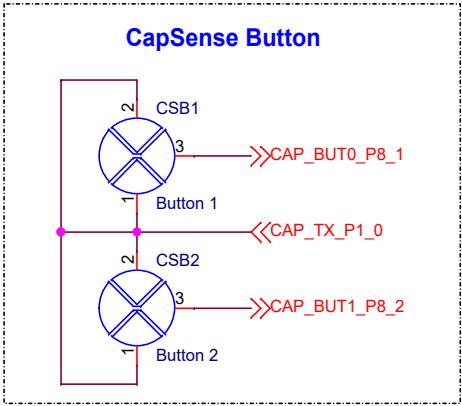
CYPRESS SEMICONDUCTOR
198 CHAMPION COURT
SAN JOSE, CA 95134
(408) 943-2600

CYPRESS SEMICONDUCTOR © 2018

SCH Title : CY8CKIT-062-BLE PSoC 6 BLE Pioneer Board

Page Title : PSoC 6 BLE Signals

Size A4	Document Number 630-60357-01	Drawn By RKPM	Approved By RKAD	Rev 06
Date: Tuesday, January 21, 2020		Sheet 10 of 14		



CYPRESS SEMICONDUCTOR
198 CHAMPION COURT
SAN JOSE, CA 95134
(408) 943-2600

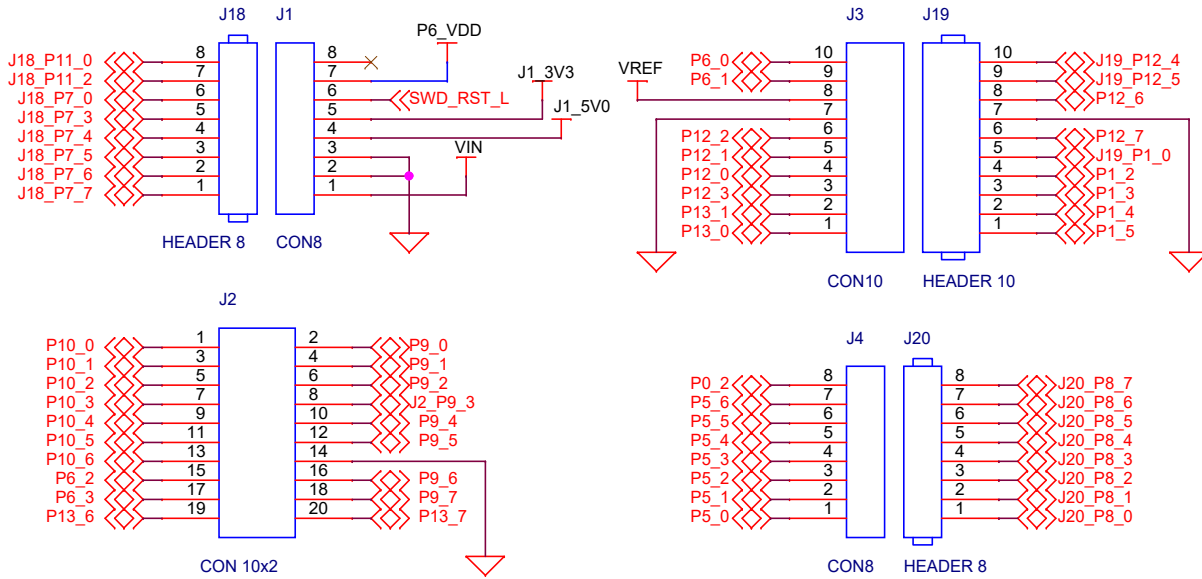
CYPRESS SEMICONDUCTOR © 2018

SCH Title : CY8CKIT-062-BLE PSoC 6 BLE Pioneer Board

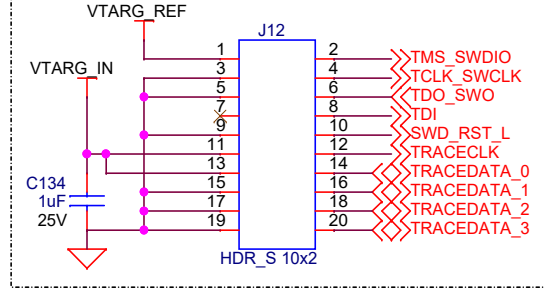
Page Title : On-board peripherals

Size A4	Document Number 630-60357-01	Drawn By RKPM	Approved By RKAD	Rev 06
Date:	Tuesday, January 21, 2020		Sheet	11 of 14

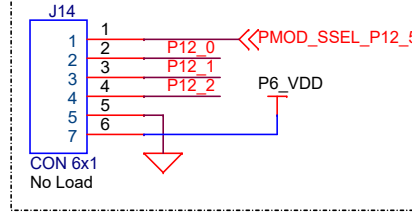
Arduino Headers



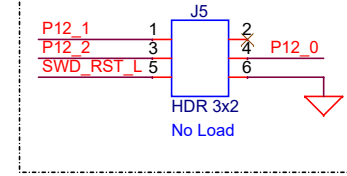
ETM Header



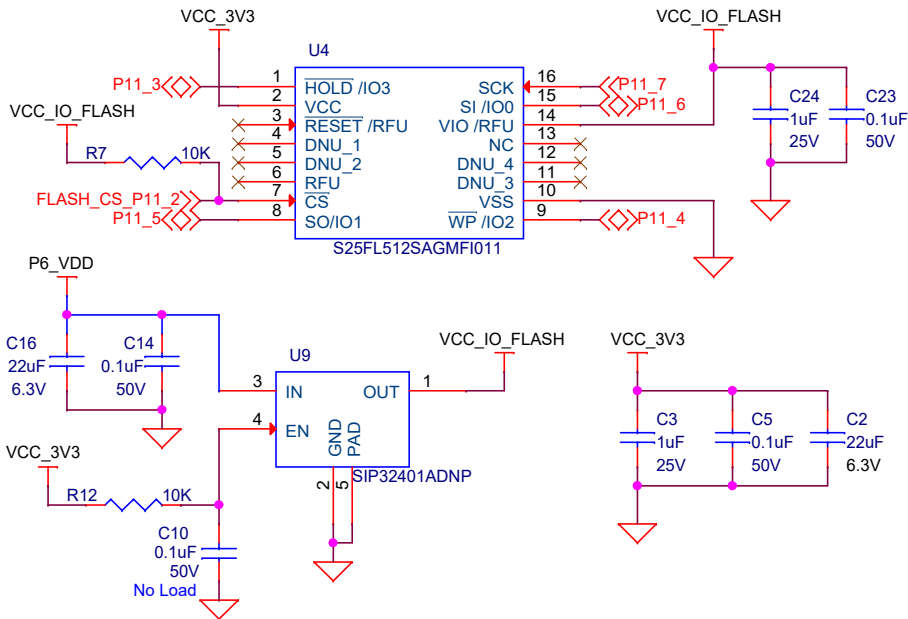
Pmod Header



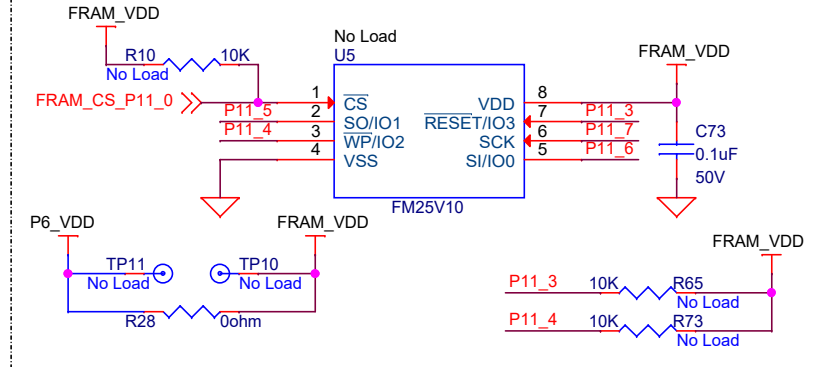
ICSP Header



QSPI Flash (SMIF)



F-RAM



CYPRESS SEMICONDUCTOR © 2018

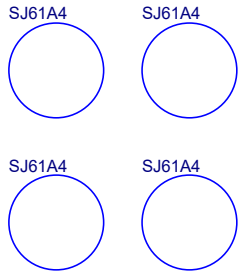
SCH Title : CY8CKIT-062-BLE PSoC 6 BLE Pioneer Board

Page Title : Expansion headers & Memory

Size A4	Document Number 630-60357-01	Drawn By RKPM	Approved By RKAD	Rev 06
Date:	Tuesday, January 21, 2020		Sheet	12 of 14

Accessories

Cylindrical Bumper



Acrylic Overlay

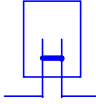
Acrylic Overlay

Color: Clear, Transparent
Finish: Matt

40 x 34 x 1mm

Jumper Shunt

SPC02SYAN



PCBA label

LBL PCA Label

LBL QR Code



USB connector bracket

298 SV001



CYPRESS
EMBEDDED IN TOMORROW™

CYPRESS SEMICONDUCTOR
198 CHAMPION COURT
SAN JOSE, CA 95134
(408) 943-2600

CYPRESS SEMICONDUCTOR © 2018

SCH Title : CY8CKIT-062-BLE PSoC 6 BLE Pioneer Board

Page Title : Accessories & PCB Artwork

Size A4	Document Number 630-60357-01	Drawn By RKPM	Approved By RKAD	Rev 06
Date:	Tuesday, January 21, 2020		Sheet	13 of 14

Revision History

Rev	Description	Date
01	Initial internal release	08/29/2016
02	Internal release	10/03/2016
03	Internal release	11/25/2016
04	Initial external release under NDA	01/19/2017
05	3.3V protection diode changed to load SW (U59) Added PMIC control section (U58, U56, U57 and passives) Removed series resistor for SPI and UART HW flow control Voltage Monitoring domain and Protection Circuit o/p changed to P6_VDD Changed trace data line connection (to 9.3, 7.6, 7.5, 7.4) C22 Cap on VRF changed to 10uF Removed SW8 and connected CINT directly, CMOD connection changed to 7.7 Shield # changed to 13.6/6.3 Added additional LED on pin 13.7 and 1.5 Added option to change logic for user SW and added pull-up/down Back annotated from layout	5/2/2017
06	Changed WCO load caps C70 and C75 to 22pF	1/21/2020



CYPRESS
EMBEDDED IN TOMORROW™

CYPRESS SEMICONDUCTOR
198 CHAMPION COURT
SAN JOSE, CA 95134
(408) 943-2600

CYPRESS SEMICONDUCTOR © 2018

SCH Title : CY8CKIT-062-BLE PSoC 6 BLE Pioneer Board

Page Title : Revision History

Size A4	Document Number 630-60357-01	Drawn By RKPM	Approved By RKAD	Rev 06
Date:	Tuesday, January 21, 2020		Sheet	14 of 14