

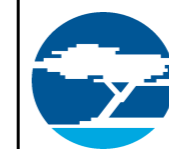
CY8CKIT-028-TFT TFT Display Shield

CONTENTS

PAGE	DESCRIPTION
01	Title & Table of Contents
02	Block Diagram
03	Arduino Connectors, TFT Display, Motion Sensor, PDM Mic & Ambient Light Sensor
04	Audio Codec & Audio Jack
05	Revision History

Drawing Numbers

PCBA	121-60396-01
PCB	600-60400-01
FAB DRW	610-60355-01
ASSY DRW	620-60363-01
SCH DRW	630-60377-01



CYPRESS
EMBEDDED IN TOMORROW™

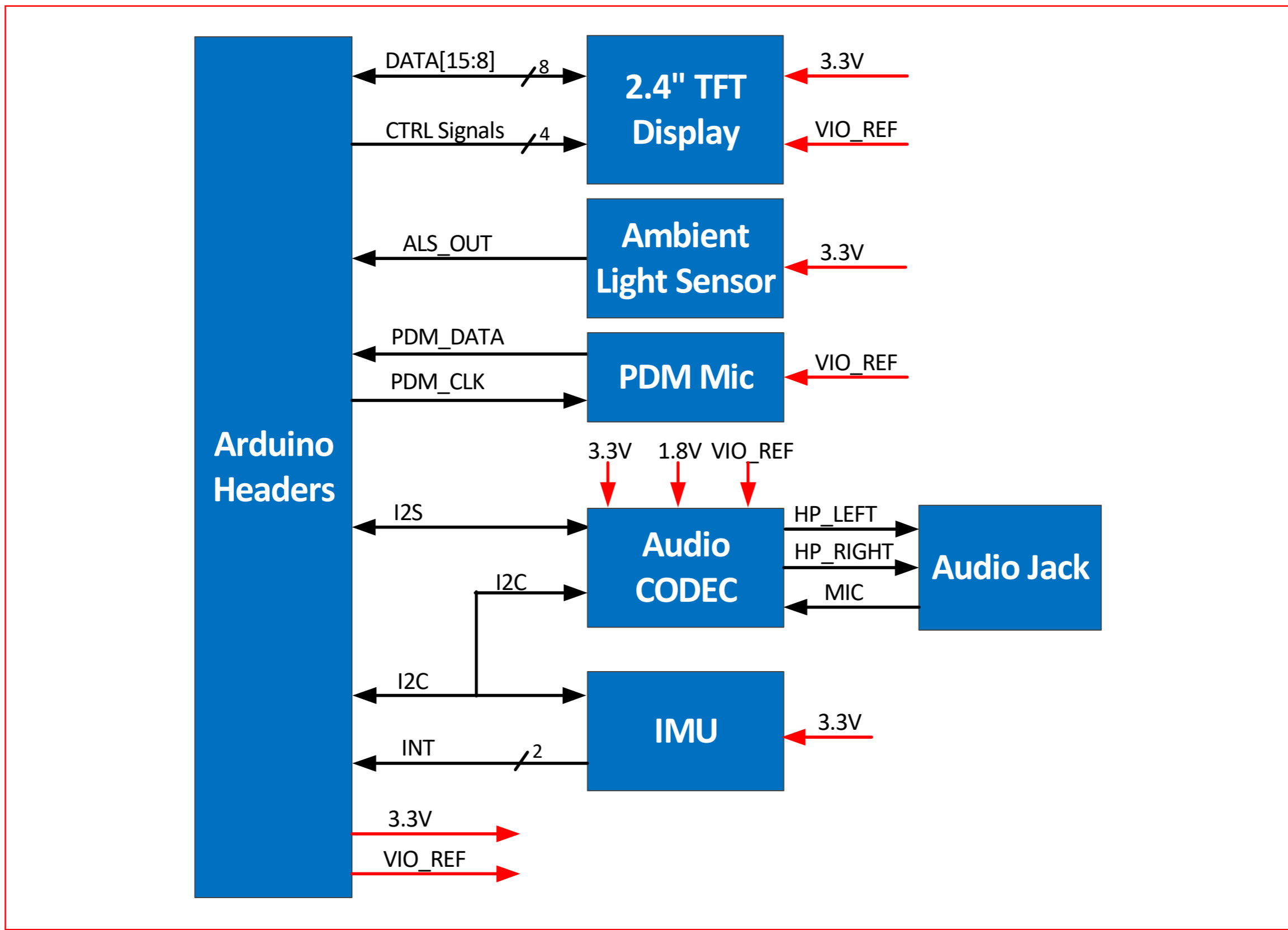
CYPRESS SEMICONDUCTOR
198 CHAMPION COURT
SAN JOSE, CA 95134
(408) 943-2600


CYPRESS SEMICONDUCTOR © 2017

SCH Title : CY8CKIT-028-TFT TFT Display Shield

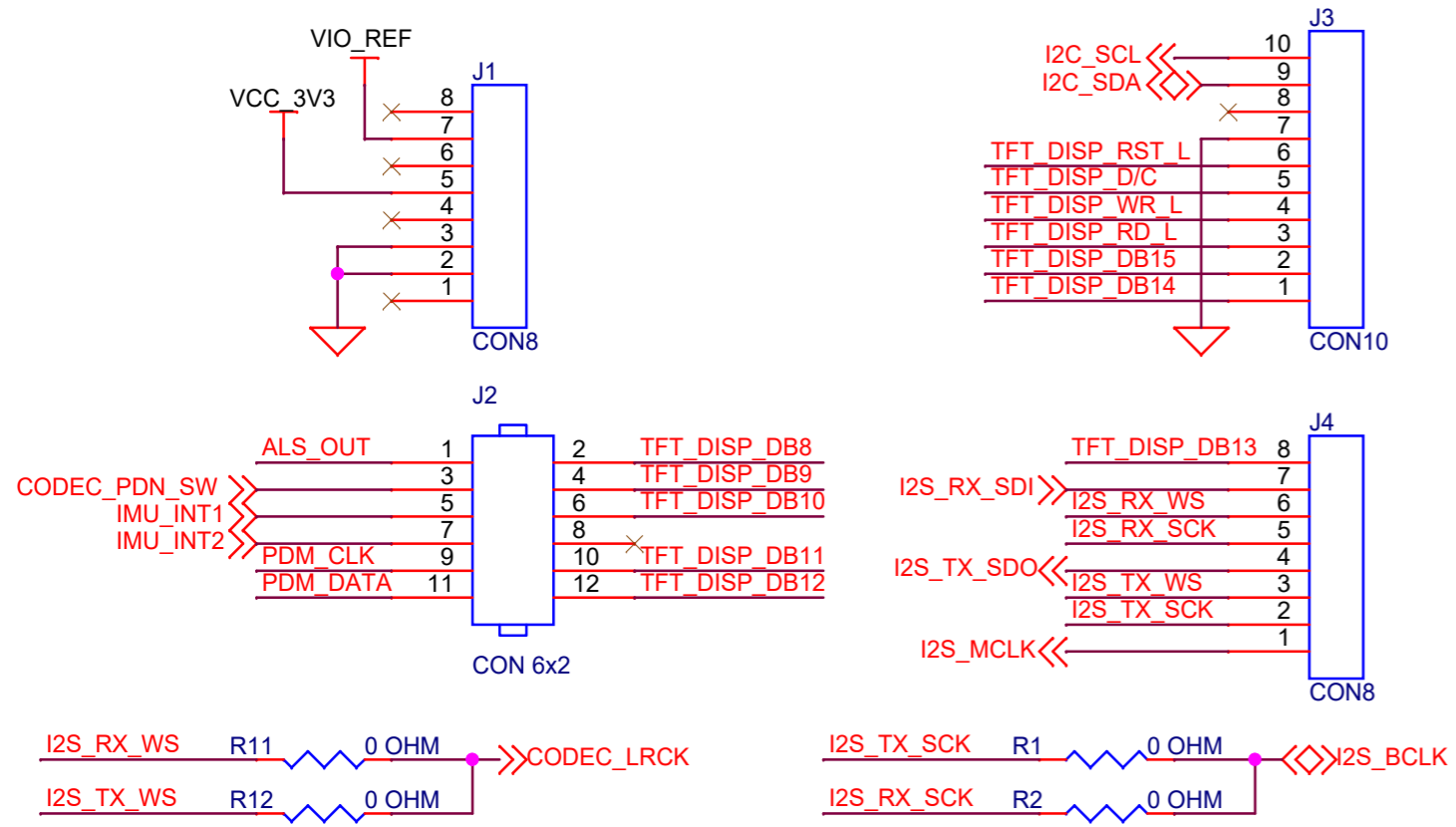
Page Title : Title Page

Size	Document Number	Drawn By	Approved By	Rev
A4	630-60377-01	AARA, TAVA	RKAD	04
Date:	Wednesday, February 14, 2018		Sheet	1 of 5

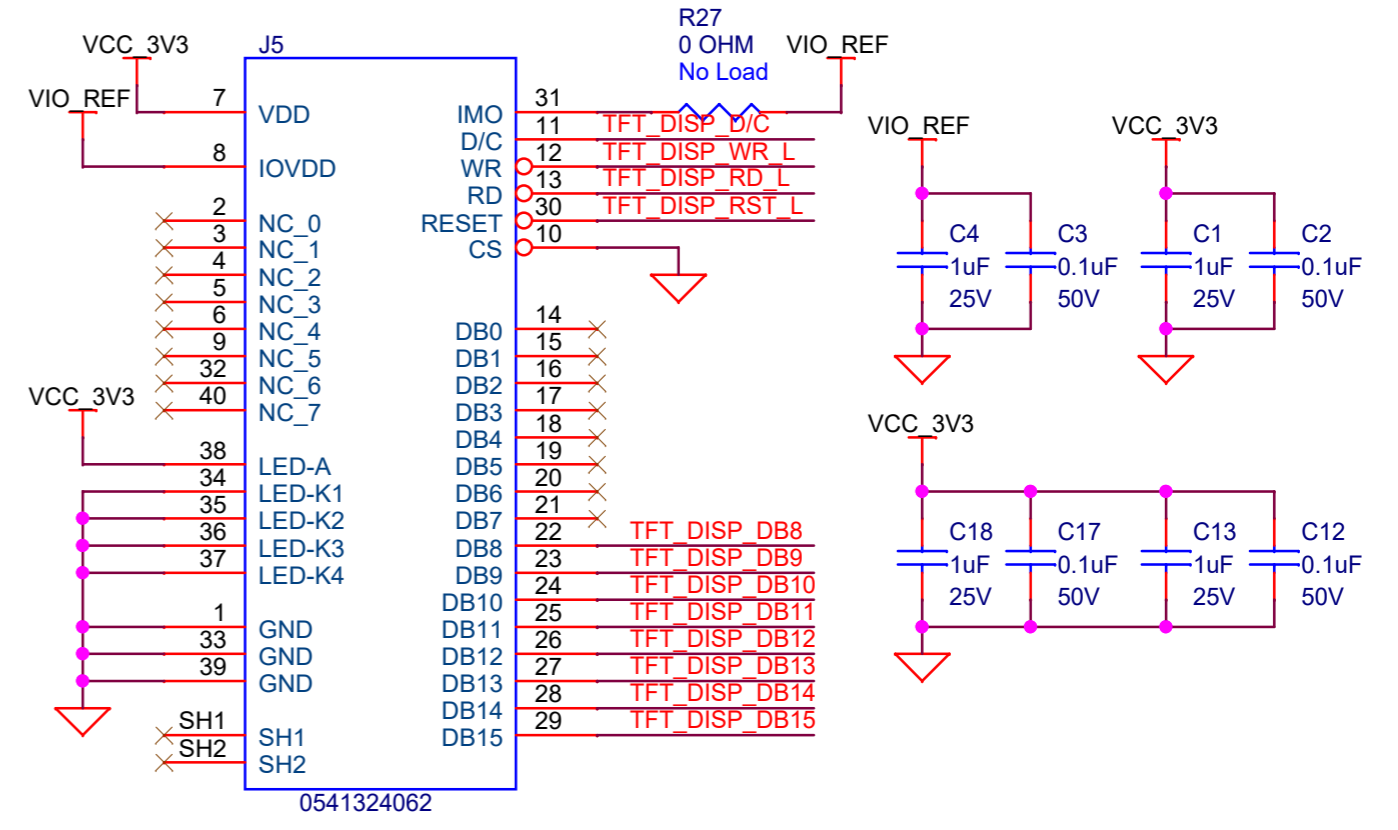


		CYPRESS SEMICONDUCTOR 198 CHAMPION COURT SAN JOSE, CA 95134 (408) 943-2600		
CYPRESS SEMICONDUCTOR © 2017				
SCH Title : CY8CKIT-028-TFT TFT Display Shield				
Page Title : Block Diagram				
Size	Document Number	Drawn By	Approved By	Rev
A4	630-60377-01	AARA, TAVA	RKAD	04
Date:	Wednesday, February 14, 2018		Sheet	2 of 5

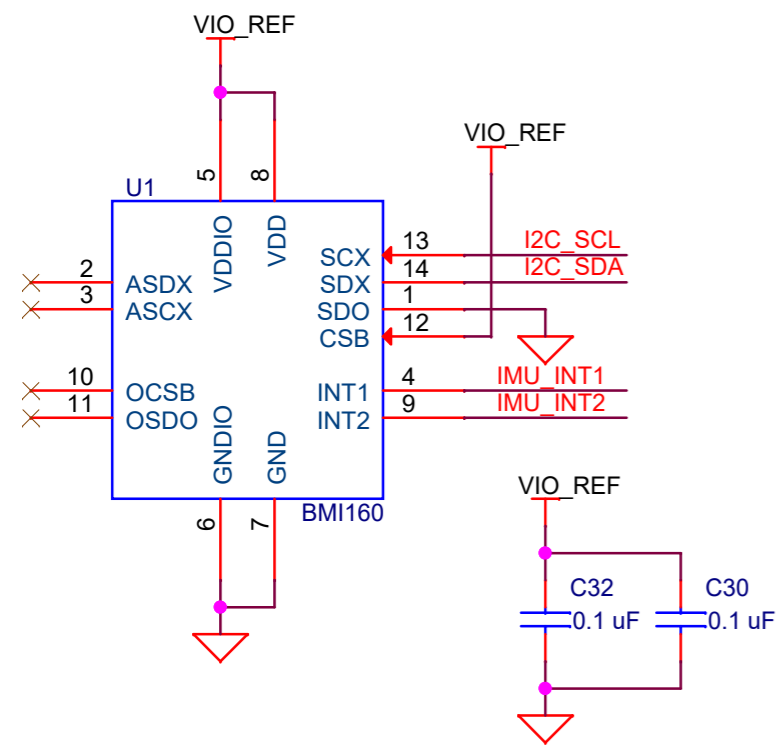
Arduino Connectors



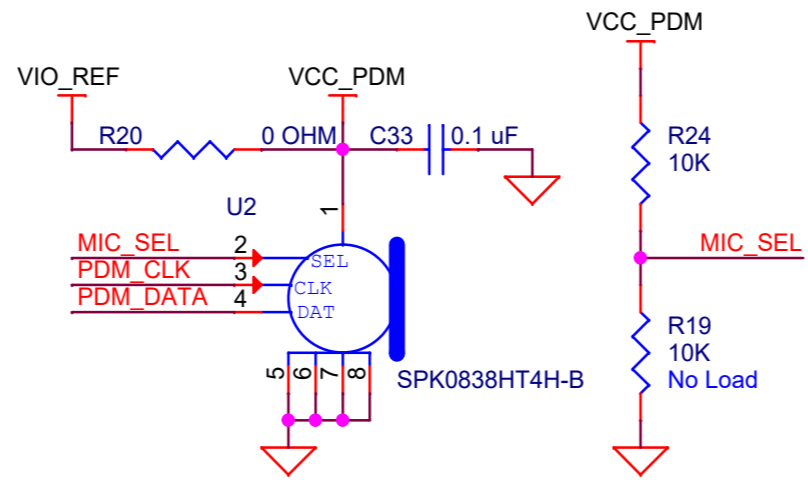
TFT Display Connector



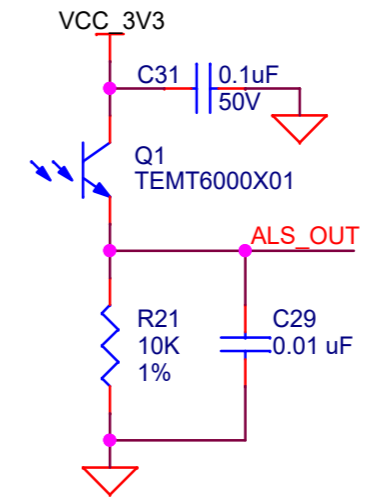
Inertial Measurement Unit (Motion Sensor)



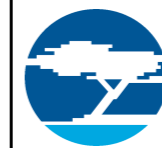
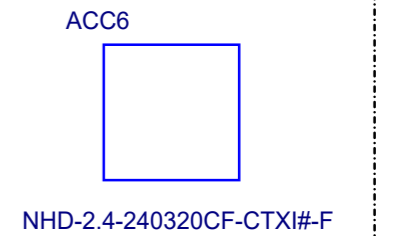
PDM MIC



Ambient Light Sensor



TFT Display



CYPRESS
EMBEDDED IN TOMORROW™

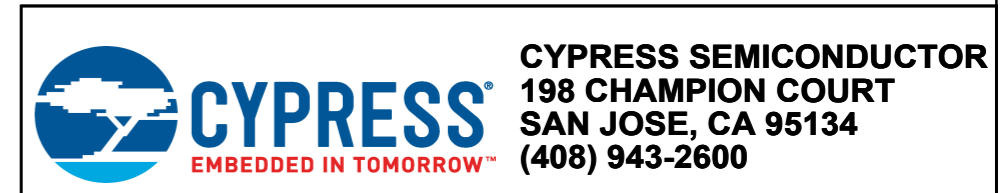
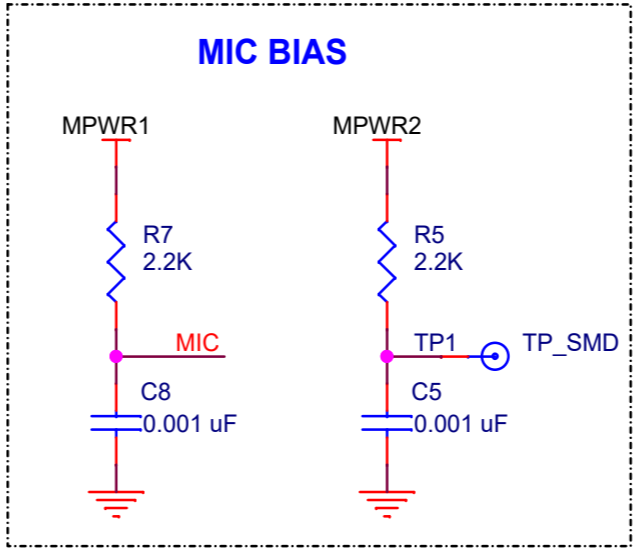
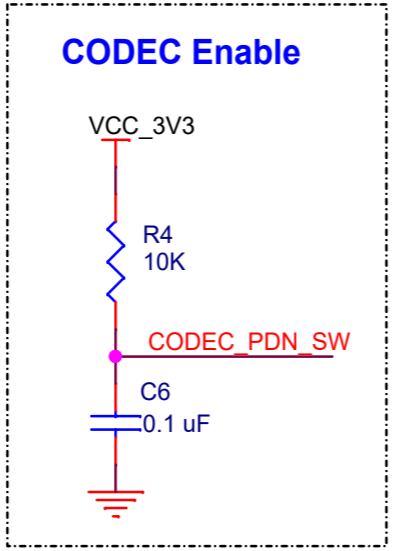
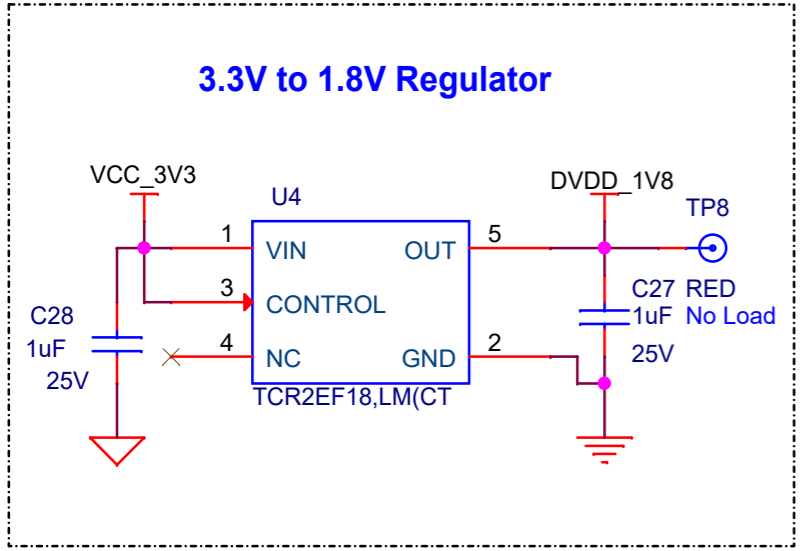
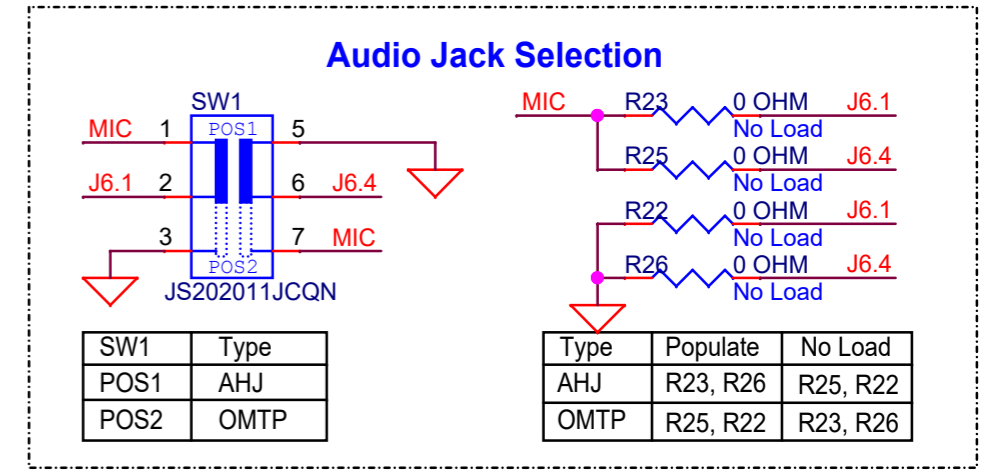
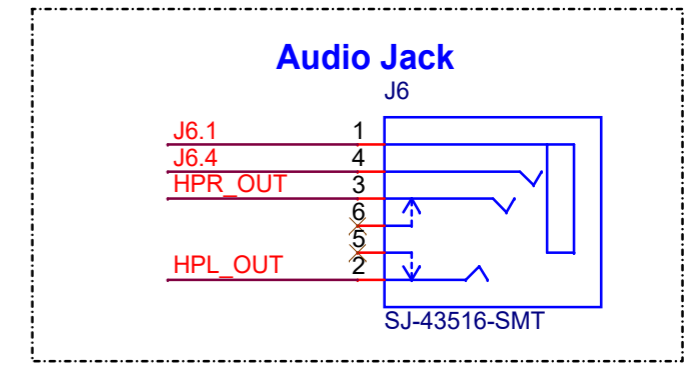
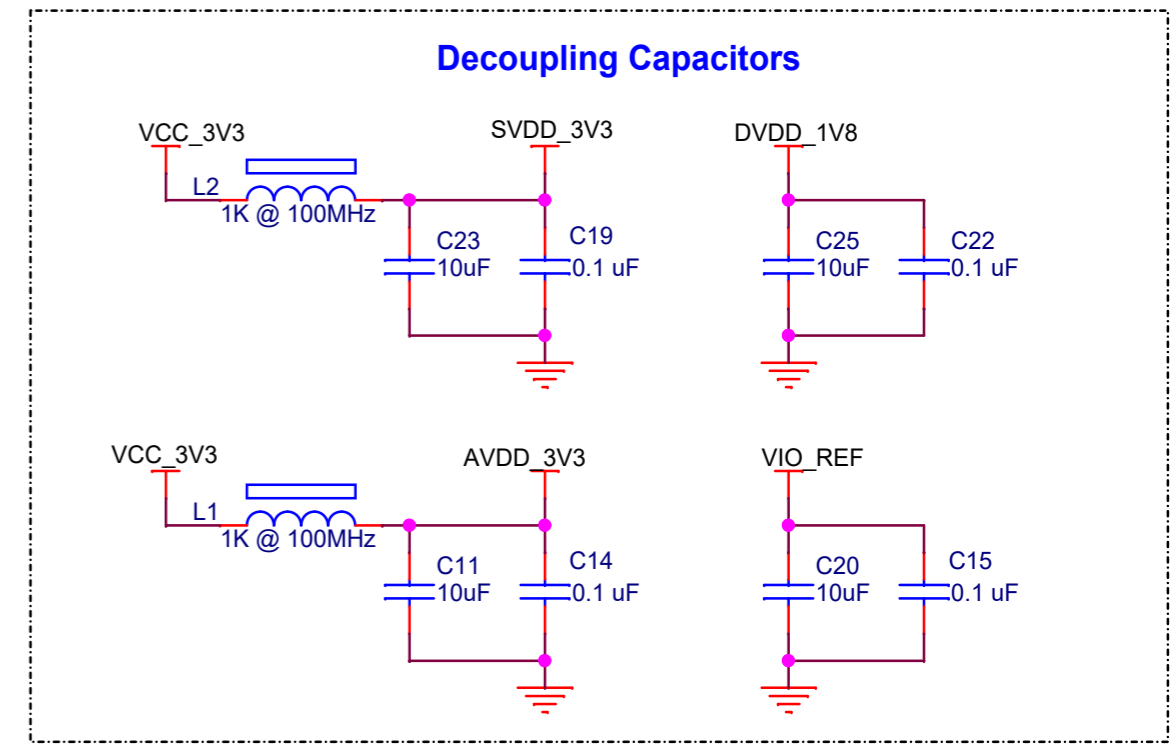
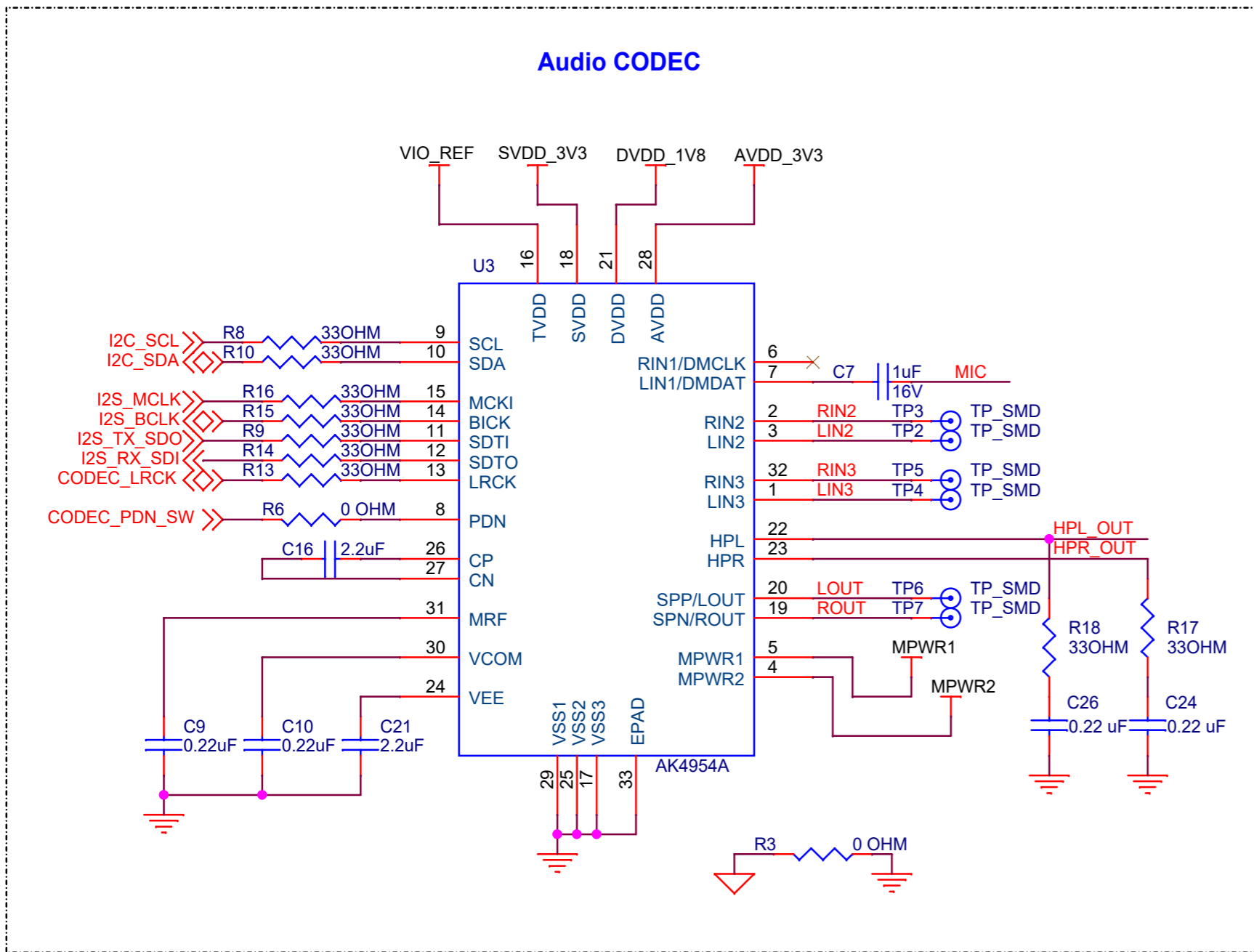
CYPRESS SEMICONDUCTOR
198 CHAMPION COURT
SAN JOSE, CA 95134
(408) 943-2600

CYPRESS SEMICONDUCTOR © 2017

SCH Title : CY8CKIT-028-TFT TFT Display Shield

Page Title : Arduino Connector, TFT Display, IMU, PDM Mic & ALS

Size A4	Document Number 630-60377-01	Drawn By AARA, TAVA	Approved By RKAD	Rev 04
Date: Wednesday, February 14, 2018		Sheet 3 of 5		



CYPRESS SEMICONDUCTOR © 2017

SCH Title : CY8CKIT-028-TFT TFT Display Shield

Page Title : Audio Codec

Size	Document Number	Drawn By	Approved By	Rev
A4	630-60377-01	AARA, TAVA	RKAD	04
Date:	Wednesday, February 14, 2018		Sheet	4 of 5

5

4

3

2

1

REVISION HISTORY

REV	DESCRIPTION OF CHANGE	DATE
01	Internal Release	2016/11/14
02	Internal Release	2017/07/10
03	Internal Release	2017/08/16
04	Initial Release	2018/02/14



CYPRESS
EMBEDDED IN TOMORROW™

CYPRESS SEMICONDUCTOR
198 CHAMPION COURT
SAN JOSE, CA 95134
(408) 943-2600

CYPRESS SEMICONDUCTOR © 2017

SCH Title : CY8CKIT-028-TFT TFT Display Shield

Page Title : Revision History

Size	Document Number	Drawn By	Approved By	Rev
A4	630-60377-01	AARA, TAVA	RKAD	04

5

4

3

2

1