

# CYPRESS SEMICONDUCTOR

## CY4603-DVK-BOARD

### PAGE NO

### TITLE

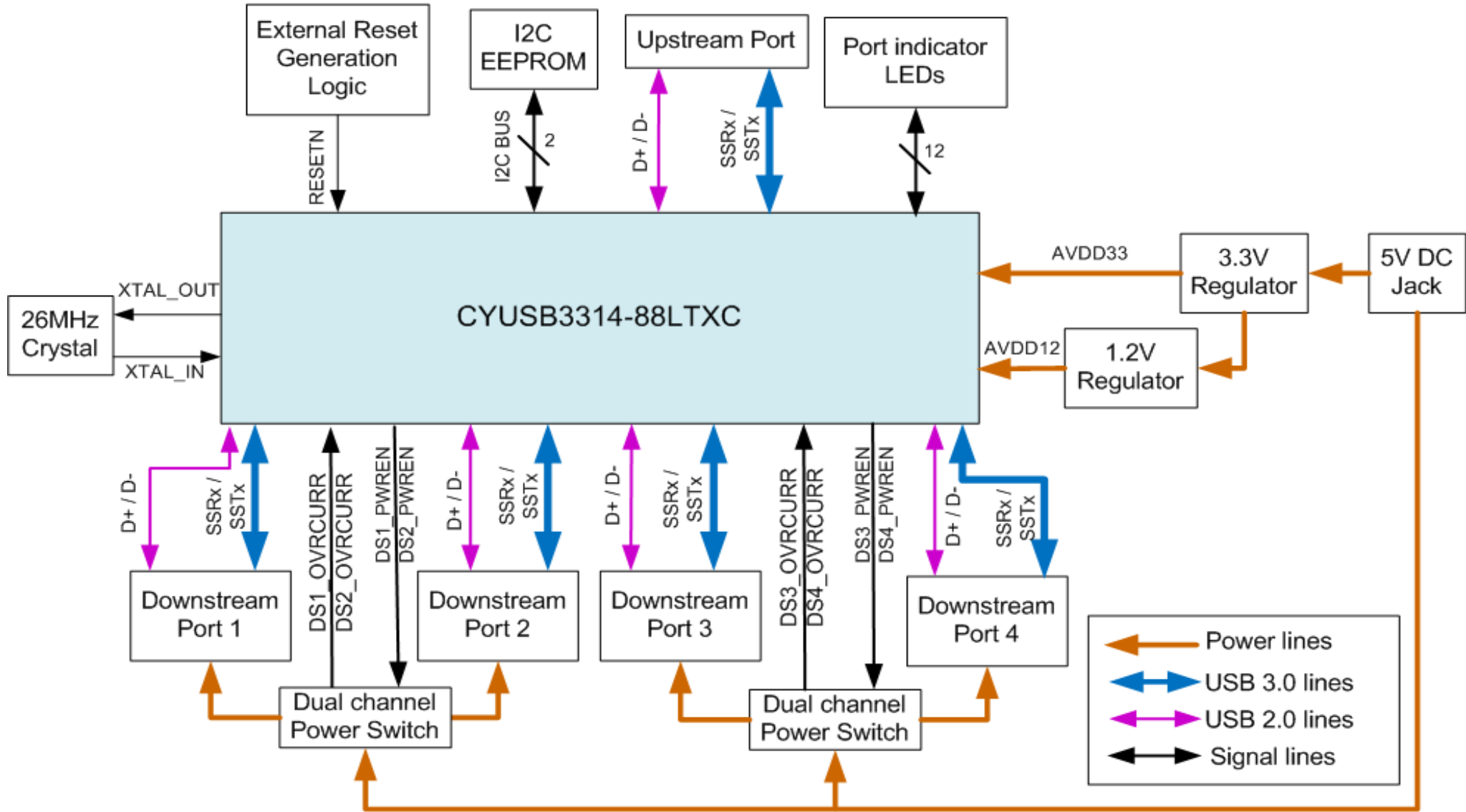
01	INDEX PAGE
02	BLOCK DIAGRAM
03	POWER SUPPLY
04	POWER & DECOUPLING
05	CYUSB3314-88LTXC-DEVICE CONNECTION
06	POWER SWITCHES & LED INDICATORS

**PCBA NUMBER** 121-60125-01  
**PCB NUMBER** 600-60158-01  
**FAB DRAWING NUMBER** 610-60151-01  
**ASSEMBLY DRAWING NUMBER** 620-60156-01  
**SCHEMATIC NUMBER** 630-60154-01



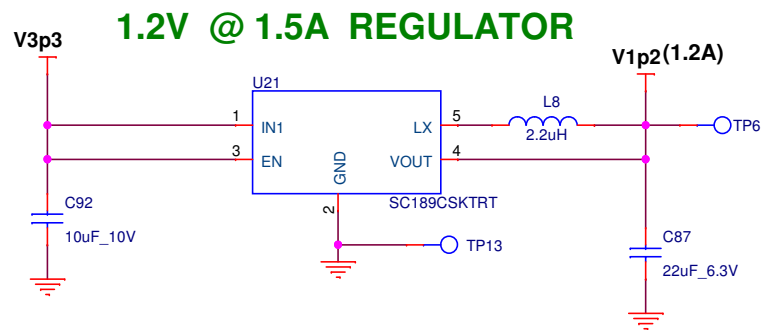
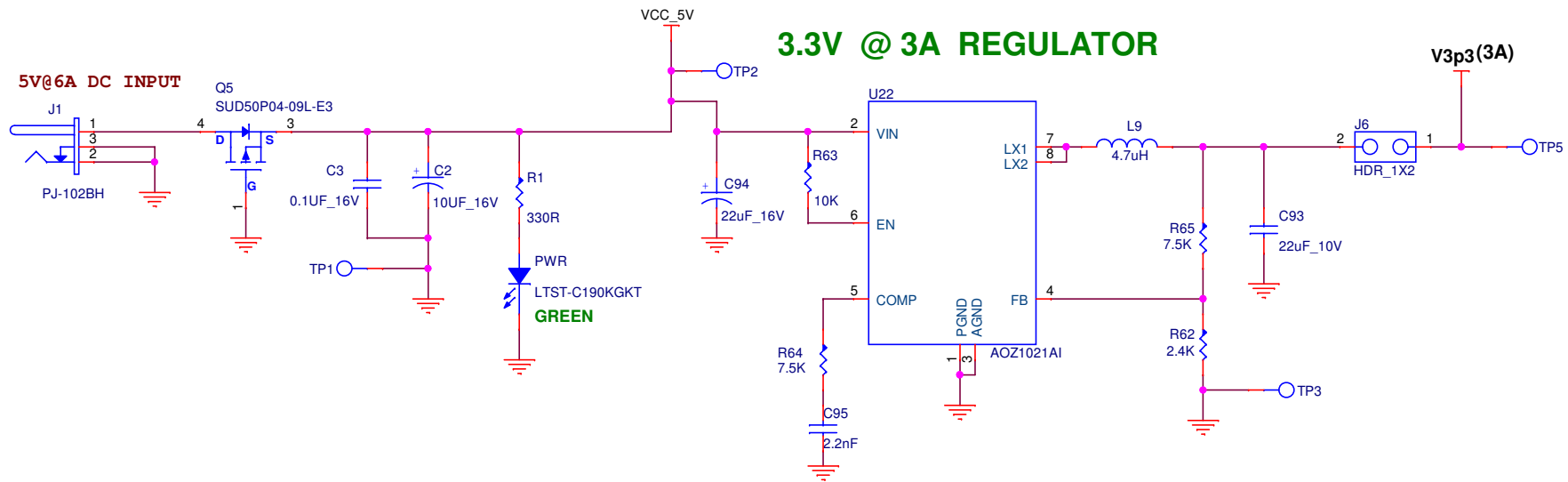
**CYPRESS SEMICONDUCTOR © 2014**

Title		
CY4603 INDEX PAGE		
Size A	Document Number 630-60154-01	Rev 4.0
Date:	Thursday, February 13, 2014	Sheet 1 of 6



<b>CYPRESS SEMICONDUCTOR © 2014</b>		
Title		
<b>CY4603 INDEX PAGE</b>		
Size	Document Number	Rev
A	<b>630-60154-01</b>	4.0
Date:	Thursday, February 13, 2014	Sheet 2 of 6

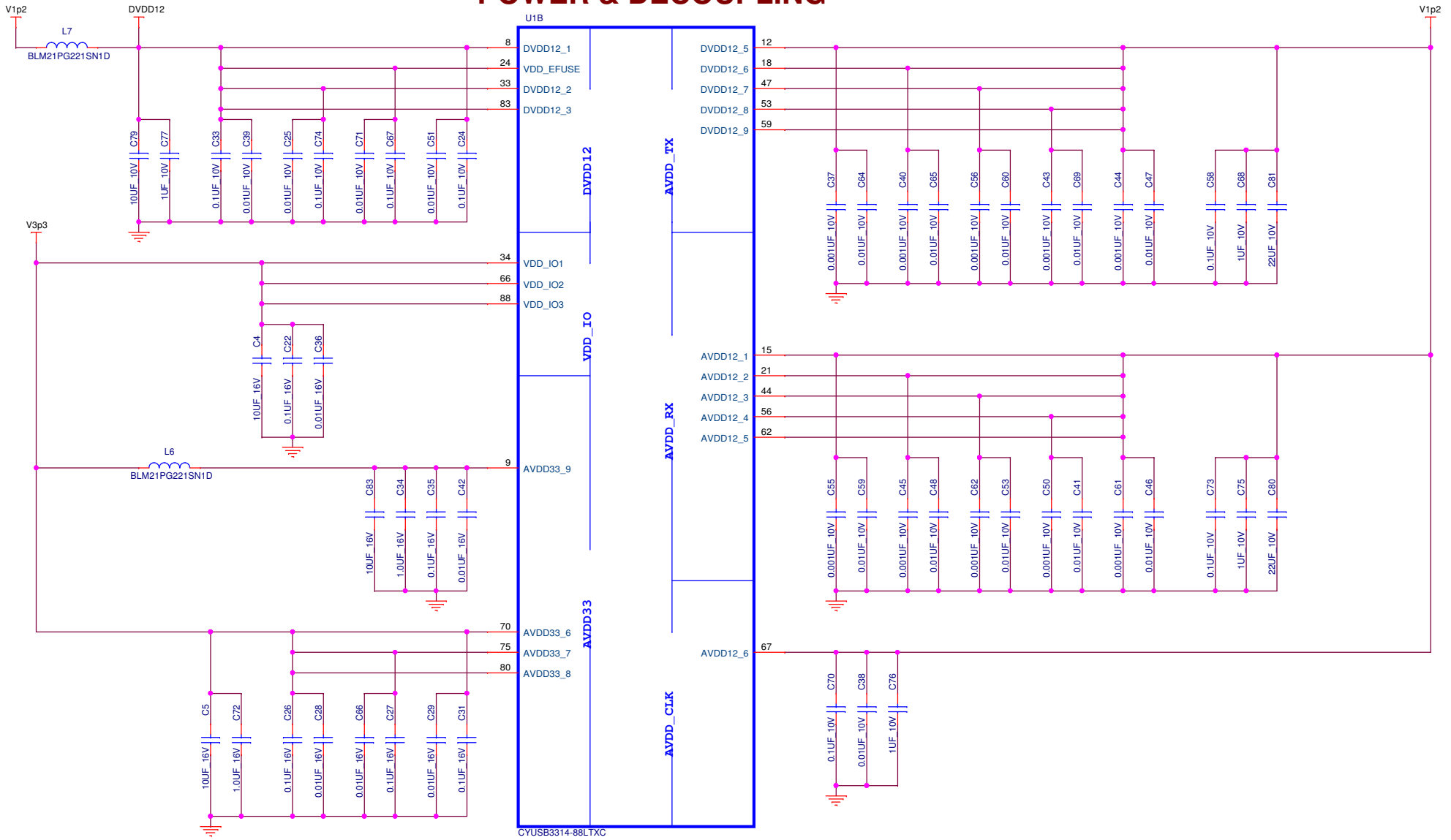
# POWER SUPPLY



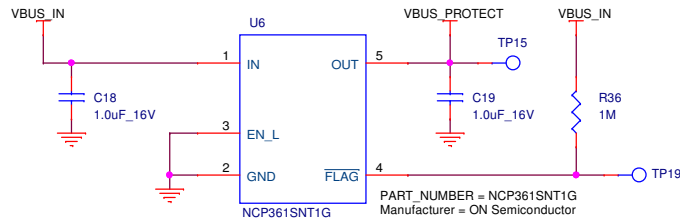
**CYPRESS SEMICONDUCTOR © 2014**

Title		
POWER SUPPLY		
Size	Document Number	Rev
Custom	630-60154-01	4.0
Date:	Thursday, February 13, 2014	Sheet 3 of 6

# POWER & DECOUPLING

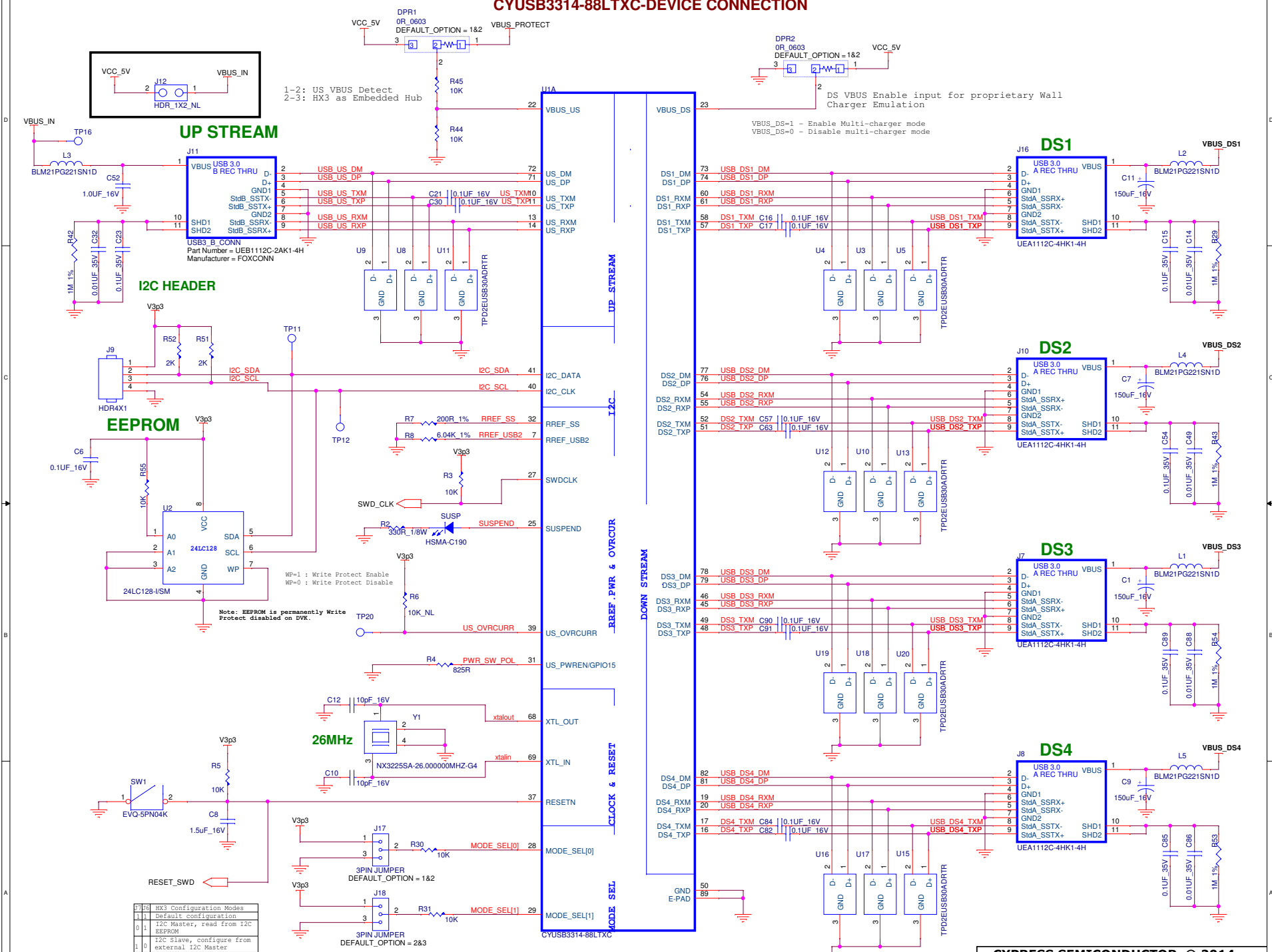


## USB POSITIVE OVERVOLTAGE & OVERCURRENT PROTECTION CONTROLLER



<b>CYPRESS SEMICONDUCTOR © 2014</b>		
Title	<b>POWER &amp; DECOUPLING</b>	
Size Custom	Document Number <b>630-60154-01</b>	Rev <b>4.0</b>
Date:	Thursday, February 13, 2014	Sheet 4 of 6

# CYUSB3314-88LTXC-DEVICE CONNECTION



Mode	Configuration
0	Default configuration
1	I2C Master, read from I2C EEPROM
2	I2C Slave, configure from external I2C Master

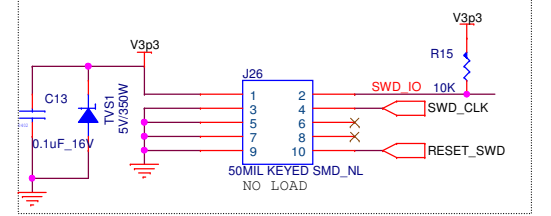
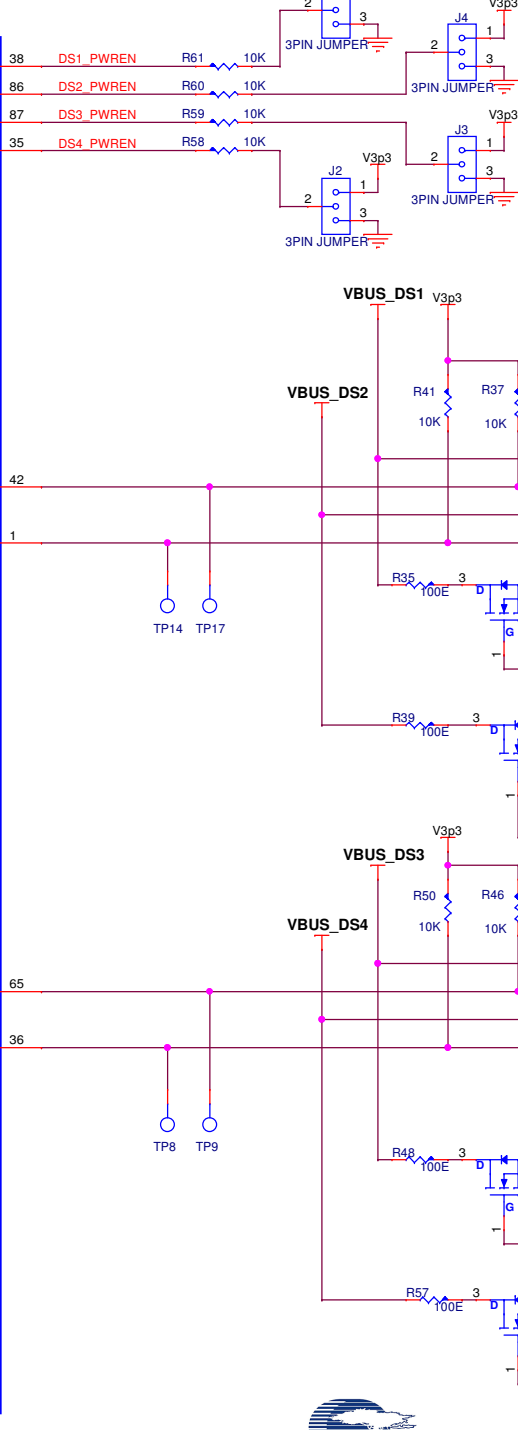
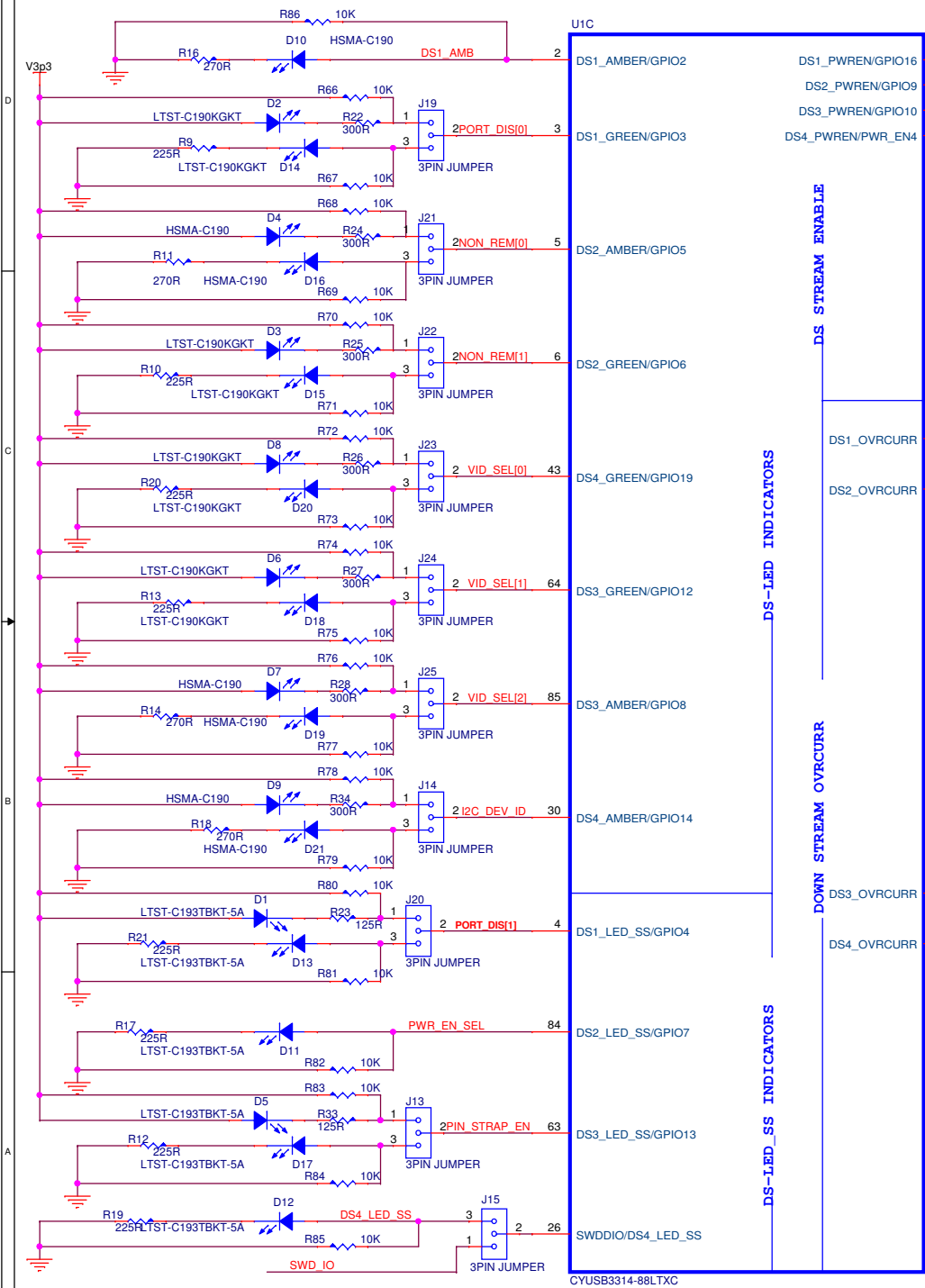
**Note:**  
Connect the HX3 EPAD to GND through the via stitches.

<b>CYPRESS SEMICONDUCTOR © 2014</b>		
<b>Title</b> CYUSB3314-88LTXC-DEVICE CONNECTION		
<b>Size</b>	Document Number <b>630-60154-01</b>	<b>Rev</b> 4.0
<b>Custom</b>		
<b>Date:</b>	Thursday, February 13, 2014	<b>Sheet</b> 5 of 6



# POWER SWITCHES & LED'S

## SWD Interface Program/Debug Header



<b>CYPRESS SEMICONDUCTOR © 2014</b>			
<b>POWER SWITCHES &amp; LED INDICATORS</b>			
Title	POWER SWITCHES & LED INDICATORS		
Size	Document Number	Rev	
Custom	630-60154-01	4.0	
Date:	Thursday, February 13, 2014	Sheet	6 of 6



CYUSB3314-88LTXC