



**Please note that Cypress is an Infineon Technologies Company.**

The document following this cover page is marked as “Cypress” document as this is the company that originally developed the product. Please note that Infineon will continue to offer the product to new and existing customers as part of the Infineon product portfolio.

**Continuity of document content**

The fact that Infineon offers the following product as part of the Infineon product portfolio does not lead to any changes to this document. Future revisions will occur when appropriate, and any changes will be set out on the document history page.

**Continuity of ordering part numbers**

Infineon continues to support existing part numbers. Please continue to use the ordering part numbers listed in the datasheet for ordering.

# Quad-PLL Programmable Spread Spectrum Clock Generator with Two-Wire Serial Interface and Frequency Select

## Features

- Device operating voltage option: 1.8 V
- Selectable clock output voltages:
  - 1.5 V, 1.8 V, 2.5 V, 3.0 V, or 3.3 V
- Fully integrated ultra low-power phase-locked loops (PLLs)
- Input reference clock frequency range:
  - External crystal: 8 to 48 MHz
  - External reference: 1 to 48 MHz clock
- Output clock frequency range:
  - 3-50 MHz for 1.5 V/1.8 V output voltage
  - 3-166 MHz for 2.5 V/3.0 V/3.3 V output voltage
- Up to eight programmable output clocks through two-wire serial interface
- Programmable output drive strengths
- Frequency select feature with option to select four different clock Frequencies over eight clock outputs
- 150 ps typical cycle-to-cycle jitter
- 24-pin QFN (4 × 4 × 0.6 mm) Package
- Commercial temperature range

- One-time programmability  
For programming support, contact [Cypress technical support](#) or send an e-mail to [clocks@cypress.com](mailto:clocks@cypress.com)

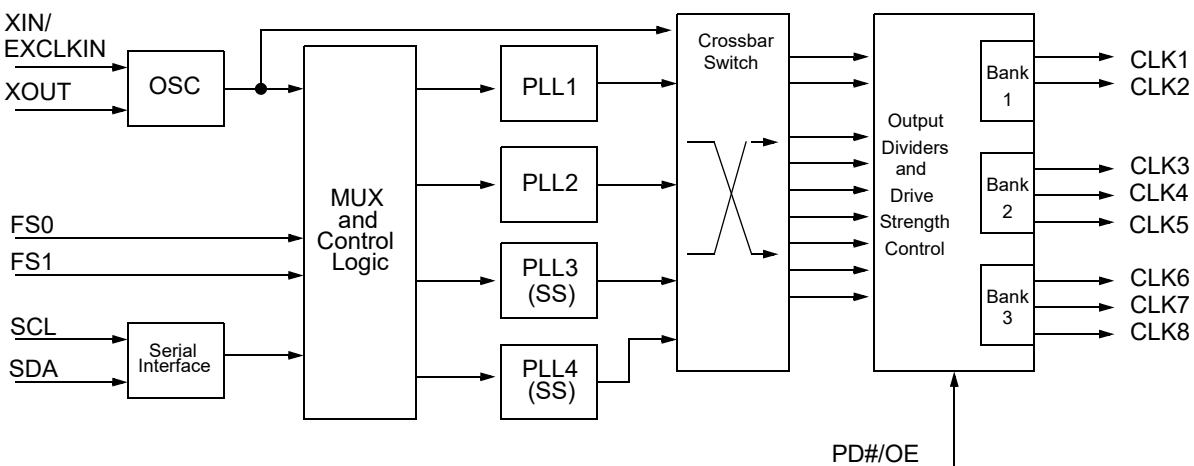
## Benefits

- Multiple high-performance PLLs allow synthesis of unrelated frequencies
- Nonvolatile programming for personalization of PLL frequencies, spread spectrum characteristics, drive strength, crystal load capacitance, and output frequencies
- Application specific programmable EMI reduction using Spread Spectrum for clocks
- Programmable PLLs for system frequency margin tests
- Meets critical timing requirements in complex system designs
- Suitability for PC, consumer, portable, and networking applications
- Capable of zero PPM frequency synthesis error
- Uninterrupted system operation during clock frequency switch
- Application compatibility in standard and low-power systems

## Functional Description

For a complete list of related documentation, click [here](#).

## Logic Block Diagram

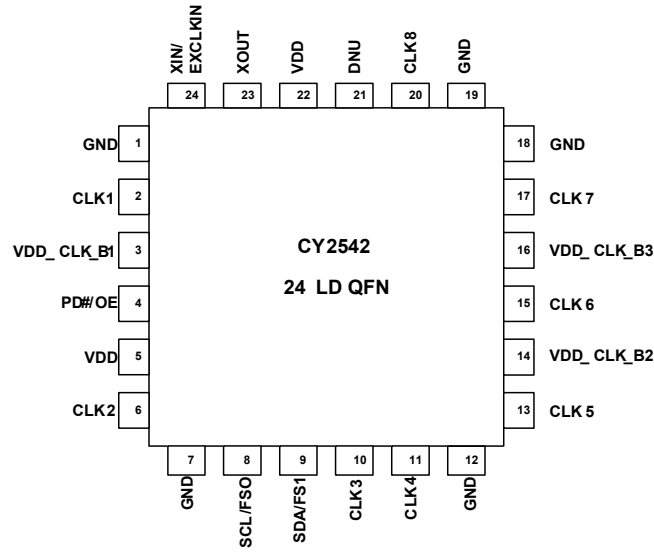


## Contents

<b>Pinouts</b> .....	<b>3</b>	<b>Serial I2C Programming Interface</b>	
<b>Pin Definitions</b> .....	<b>4</b>	<b>Timing Specifications</b> .....	<b>8</b>
<b>Functional Overview</b> .....	<b>5</b>	<b>Absolute Maximum Conditions</b> .....	<b>9</b>
Four Configurable PLLs .....	5	<b>Recommended Operating Conditions</b> .....	<b>9</b>
Two-wire Serial Interface Programming .....	5	<b>DC Electrical Specifications</b> .....	<b>10</b>
Input Reference Clocks .....	5	<b>AC Electrical Specifications</b> .....	<b>11</b>
Output Power Supply Options .....	5	<b>Recommended Crystal Specification</b> .....	<b>12</b>
Output Source Selection .....	5	<b>Recommended Crystal Specification</b> .....	<b>12</b>
Spread Spectrum .....	5	<b>Test and Measurement Setup</b> .....	<b>12</b>
Frequency Select .....	5	<b>Voltage and Timing Definitions</b> .....	<b>13</b>
Glitch-Free Frequency Switch .....	5	<b>Ordering Information</b> .....	<b>14</b>
PD#/OE Mode .....	5	Ordering Code Definitions .....	14
Keep Alive Mode .....	5	<b>Package Diagrams</b> .....	<b>15</b>
Output Drive Strength .....	5	<b>Acronyms</b> .....	<b>16</b>
Factory Specific Configuration and		<b>Document Conventions</b> .....	<b>16</b>
Custom Programming .....	5	Units of Measure .....	16
<b>Two-wire Serial Interface</b> .....	<b>6</b>	<b>Document History Page</b> .....	<b>17</b>
Device Address .....	7	<b>Sales, Solutions, and Legal Information</b> .....	<b>18</b>
Data Valid .....	7	Worldwide Sales and Design Support .....	18
Data Frame .....	7	Products .....	18
Acknowledge Pulse .....	7	PSoC® Solutions .....	18
<b>Write Operations</b> .....	<b>8</b>	Cypress Developer Community .....	18
Writing Individual Bytes .....	8	Technical Support .....	18
Writing Multiple Bytes .....	8		
<b>Read Operations</b> .....	<b>8</b>		
Current Address Read .....	8		
Random Read .....	8		
Sequential Read .....	8		

**Pinouts**

**Figure 1. 24-pin QFN pinout**



## Pin Definitions

( $V_{DD}$  = 1.8 V Supply)

Pin Number	Name	I/O	Description
1	GND	Power	Power supply ground
2	CLK1	Output	Programmable clock output with spread spectrum. Output voltage depends on $V_{DD\_CLK\_B1}$ voltage
3	$V_{DD\_CLK\_B1}$	Power	Power supply for Bank1 (CLK1, CLK2) outputs: 1.5 V/1.8 V/2.5 V/3.0 V/3.3 V
4	PD#/OE	Input	Multifunction programmable pin: Output enable or power down modes
5	$V_{DD}$	Power	Power supply: 1.8 V
6	CLK2	Output	Programmable clock output with spread spectrum. Output voltage depends on $V_{DD\_CLK\_B1}$ voltage
7	GND	Power	Power supply ground
8	SCL/FS0	Input	Multifunction programmable pin: Serial data clock or Frequency select input pin
9	SDA/FS1	Input/Output	Serial data input/output or Frequency select input pin
10	CLK3	Output	Programmable clock output with no spread spectrum. Output voltage depends on $V_{DD\_CLK\_B2}$ voltage
11	CLK4	Output	Programmable clock output with no spread spectrum. Output voltage depends on $V_{DD\_CLK\_B2}$ voltage
12	GND	Power	Power supply ground
13	CLK5	Output	Programmable clock output with spread spectrum. Output voltage depends on $V_{DD\_CLK\_B2}$ voltage
14	$V_{DD\_CLK\_B2}$	Power	Power supply for Bank2 (CLK3, CLK4, CLK5) outputs: 1.5 V/1.8 V/2.5 V/3.0 V/3.3 V
15	CLK6	Output	Programmable clock output with spread spectrum. Output voltage depends on $V_{DD\_CLK\_B3}$ voltage
16	$V_{DD\_CLK\_B3}$	Power	Power supply for Bank3 (CLK6, CLK7, CLK8) outputs: 1.5 V/1.8 V/2.5 V/3.0 V/3.3 V
17	CLK7	Output	Programmable clock output with spread spectrum. Output voltage depends on $V_{DD\_CLK\_B3}$ voltage
18	GND	Power	Power supply ground
19	GND	Power	Power supply ground
20	CLK8	Output	Programmable clock output with spread spectrum. Output voltage depends on $V_{DD\_CLK\_B3}$ voltage
21	DNU	None	Do not use
22	$V_{DD}$	Power	Power supply: 1.8 V
23	XOUT	Output	Crystal output
24	XIN/EXCLKIN	Input	Crystal Input or 1.8 V external reference clock input

## Functional Overview

### Four Configurable PLLs

The CY2542 is a four-PLL clock generator IC. It can be used to generate four independent output frequencies ranging from 3 to 50 MHz (for 1.5 V/1.8 V output voltage) or 3-166 MHz (for 2.5 V/3.0 V/3.3 V output voltage) from a single crystal or a reference clock.

### Two-wire Serial Interface Programming

The CY2542 has a two-wire serial interface that programs the configuration memory array to synthesize output frequencies by programmable output divider, spread characteristics, and drive strength. Two-wire Serial Interface can also be used for in-system control of these programmable features.

### Input Reference Clocks

The input to the CY2542 can be either a crystal or a clock signal. The input frequency range for crystals is 8 MHz to 48 MHz, while that for EXCLKIN is 1 to 48 MHz. The voltage level for the input reference clock used must meet the voltage requirement for the device as shown in the DC and AC specifications.

### Output Power Supply Options

The CY2542 has eight clock outputs grouped in three banks. The Bank 1, Bank 2, and Bank 3 correspond to (CLK1, CLK2), (CLK3, CLK4, CLK5), and (CLK6, CLK7, CLK8) respectively. A separate power supply is used for each of these three output drivers and they can be any of 1.5 V, 1.8 V, 2.5 V, 3.0 V, or 3.3 V giving user multiple choice of output clock voltage levels.

### Output Source Selection

The CY2542 has eight clock outputs (CLK1–8). There are five available clock sources for these outputs. These clock sources are: XIN/EXCLKIN, PLL1, PLL2, PLL3 and PLL4. Output clock source selection is done using four out of five crossbar switch. Thus, any one of these five available clock sources can be arbitrarily selected for the clock outputs. This gives user a flexibility to have up to four independent clock and a reference clock outputs.

### Spread Spectrum

Two of the four PLLs (PLL3 and PLL4) have spread spectrum capability for EMI reduction in the system. The device uses a Cypress proprietary PLL and spread spectrum clock (SSC) technology to synthesize and modulate the frequency of the PLL. It can be factory programmed to either center spread range from  $\pm 0.125\%$  to  $\pm 2.50\%$ , or down spread range from  $-0.25\%$  to  $-5.0\%$ , with Lexmark or Linear modulation profile.

### Frequency Select

There are two multifunction frequency select pins (FS0, FS1) that provide an option to select four different sets of frequencies among each of the four PLLs. Each output has programmable output divider options.

### Glitch-Free Frequency Switch

When the frequency select pin (FS) is used to switch frequency, the outputs are glitch-free provided frequency is switched using output dividers. This feature enables uninterrupted system operation while clock frequency is being switched.

### PD#/OE Mode

PD#/OE input (Pin 4) can be programmed to operate as either power down (PD#) or output enable (OE) mode. Note that power down shuts off the entire chip, resulting in minimum power consumption for the device. Setting this signal high brings the device in the operational mode with default register settings. The PD# turn-on time is limited by the turn-on time of the PLLs. Disabled outputs are first driven to a low state before turning off. When off, they are held low by internal weak resistors ( $\sim 160\text{ k ohms}$ )

When this pin is programmed as output enable (OE), clock outputs can be enabled or disabled using OE (pin 4). Individual clock outputs can be programmed to be sensitive to this OE pin.

### Keep Alive Mode

By activating the device in the Keep Alive Mode, power down mode is changed to power saving mode, which disables all PLLs and outputs, but preserves the contents of the volatile registers. Thus, any configuration changes made via two-wire serial interface are preserved. By deactivating the Keep Alive Mode, changes made due to serial interface is not preserved during power down, but power consumption is reduced relative to the Keep Alive Mode.

### Output Drive Strength

The DC drive strength of the individual clock output can be programmed for different values. [Table 1](#) shows the typical rise and fall times for different drive strength settings.

**Table 1. Output Drive Strength**

Output Drive Strength	Rise/Fall Time (ns) (Typical Value)
Low	6.8
Mid Low	3.4
Mid High	2.0
High	1.0

### Factory Specific Configuration and Custom Programming

The device is available with factory specific programmed frequencies as shown in the Ordering Information page. This factory specific programmed part can be used for the device evaluation purposes. The CY2542 can be custom programmed to any desired frequencies and listed features. For customer specific programming and two-wire Serial Interface programmable memory bitmap definitions, contact your local Cypress Field Application Engineer (FAE) or sales representative.

## Two-wire Serial Interface

To enhance the flexibility and function of the clock synthesizer, a two-signal serial interface is provided. This interface is used to write (and optionally read) control registers that control various device functions such as enabling individual clock output buffers. The registers initialize to their default setting upon power up and therefore, use of this interface is optional. Clock device registers are normally changed upon system initialization. Any data written via serial interface is volatile and is not retained when the device is powered down.

The two-wire serial interface uses two signals, SDA and SCL, that operates up to 400 kbits/s in Read or Write mode. The SDA and SCL timing and data transfer sequence is shown in Figure 2. The basic Write serial format is as follows:

Start Bit; 7-bit Device Address (DA); R/W Bit; Slave Clock Acknowledge (ACK); 8-bit Memory Address (MA); ACK; 8-bit Data in MA+1 if desired; ACK; 8-bit Data in MA+2; ACK; etc. until STOP Bit. The basic serial format is illustrated in Figure 3.

Figure 2. Data Transfer Sequence on the Serial Bus

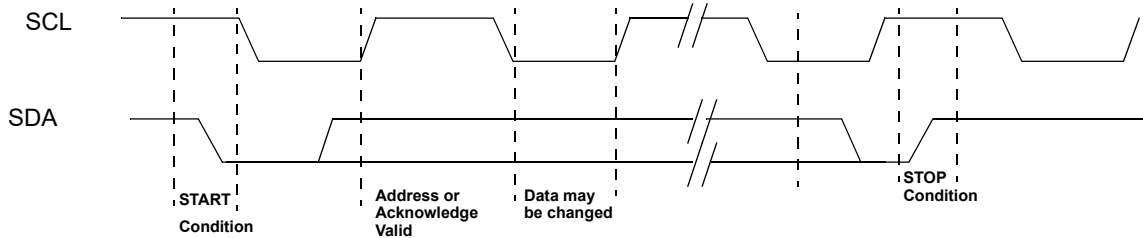
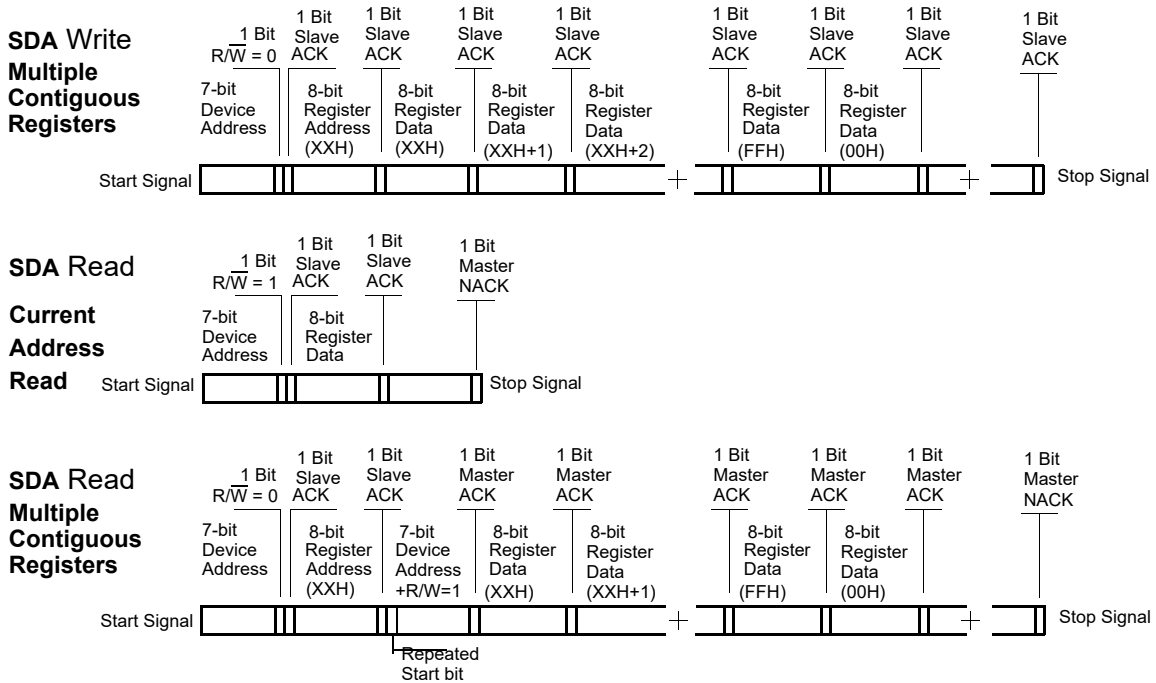


Figure 3. Data Frame Architecture



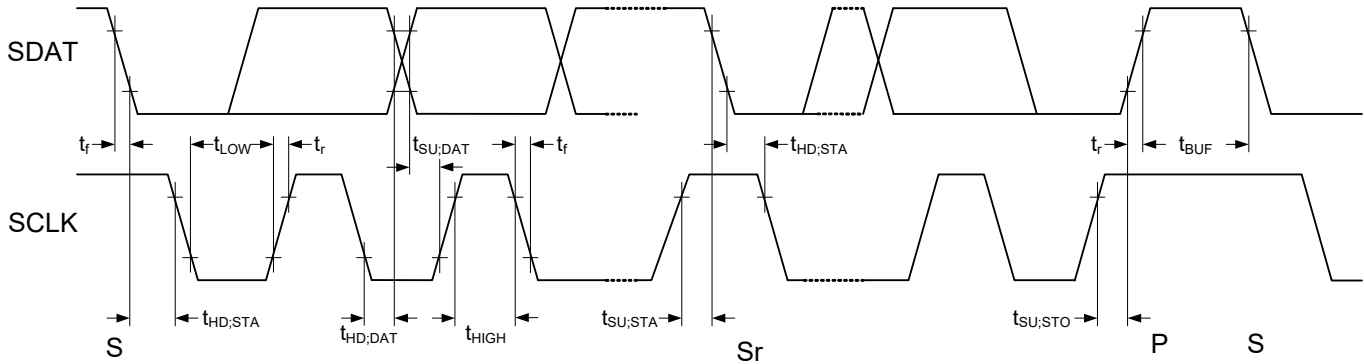
**Device Address**

The device serial interface address is 69H. The device address is combined with a read/write bit as the LSB and is sent after each start bit.

**Data Valid**

Data is valid when the clock is HIGH, and can only be transitioned when the clock is LOW, as illustrated in Figure 4.

**Figure 4. Data Valid and Data Transition Periods**



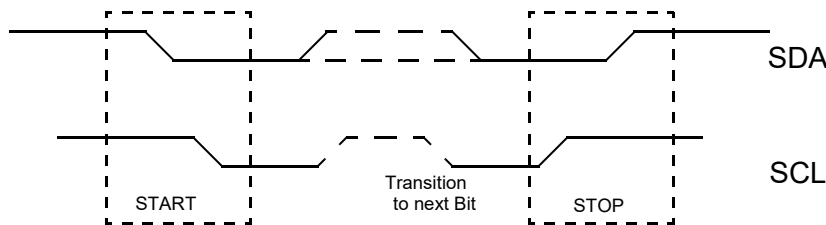
**Data Frame**

Every new data frame is indicated by a start and stop sequence, as illustrated in Figure 5.

Start Sequence – SDA going LOW when SCL is HIGH indicates a Start Frame. Every time a start signal is supplied, the next 8-bit data must be the device address (seven bits) and a R/W bit, followed by register address (eight bits) and register data (eight bits).

Stop Sequence – SDA going HIGH when SCL is HIGH indicates a Stop Frame. A Stop Frame frees the bus to write to another part on the same bus or to write to another random register address.

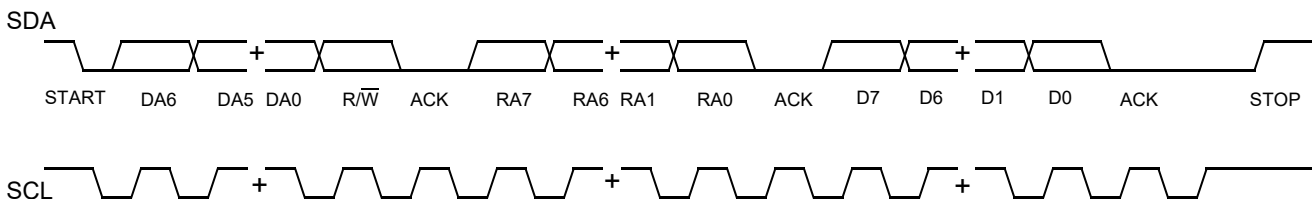
**Figure 5. Start and Stop Frame**



**Acknowledge Pulse**

During Write Mode, the CY2542 responds with an Acknowledge pulse after every eight bits. This is done by pulling the SDA line LOW during the N\*9<sup>th</sup> clock cycle, as illustrated in Figure 6 (N = the number of bytes transmitted). During Read Mode, the master generates the acknowledge pulse after reading the data packet.

**Figure 6. Frame Format (Device Address, R/W, Register Address, Register Data)**





## Write Operations

### Writing Individual Bytes

A valid write operation must have a full 8-bit register address after the device address word from the master, which is followed by an acknowledge bit from the slave (ACK = 0/LOW). The next eight bits must contain the data word intended for storage. After receiving the data word, the slave responds with another acknowledge bit (ACK = 0/LOW), and the master must end the write sequence with a STOP condition.

### Writing Multiple Bytes

To write multiple bytes at a time, the master must not end the write sequence with a STOP condition, but instead sends multiple contiguous bytes of data to be stored. After each byte, the slave responds with an acknowledge bit, the same as after the first byte, and accepts data until the acknowledge bit is responded to by the STOP condition. When receiving multiple bytes, the CY2542 internally increments the register address.

## Read Operations

Read operations are initiated the same way as Write operations except that the R/W bit of the slave address is set to '1' (HIGH). There are three basic read operations: current address read, random read, and sequential read.

### Current Address Read

The CY2542 has an onboard address counter that retains '1' more than the address of the last word accessed. If the last word written or read was word 'n', then a current address read

operation returns the value stored in location 'n+1'. When the CY2542 receives the slave address with the R/W bit set to a '1', it issues an acknowledge and transmits the 8-bit word. The master device does not acknowledge the transfer, but generates a STOP condition, which causes CY2542 to stop transmission.

### Random Read

Through random read operations, the master may access any memory location. To perform this type of read operation, first set the word address. To do this, send the address to the CY2542 as part of a write operation. After the word address is sent, the master generates a START condition following the acknowledge. This terminates the write operation before any data is stored in the address, but not before the internal address pointer is set. Next, the master reissues the control byte with the R/W byte set to '1'. The CY2542 then issues an acknowledge and transmits the 8-bit word. The master device does not acknowledge the transfer, but generates a STOP condition, which causes the CY2542 to stop transmission.

### Sequential Read

Sequential read operations follow the same process as random reads except that the master issues an acknowledge instead of a STOP condition after transmission of the first 8-bit data word. This action increments the internal address pointer, and subsequently outputs the next 8-bit data word. By continuing to issue acknowledges instead of STOP conditions, the master serially reads the entire contents of the slave device memory. When the internal address pointer points to the FFH register, after the next increment, the pointer points to the 00H register.

## Serial I<sup>2</sup>C Programming Interface Timing Specifications

Parameter	Description	Min	Max	Unit
f <sub>SCLK</sub>	Frequency of SCLK	–	400	kHz
t <sub>HD:STA</sub>	Hold time START condition	0.6	–	μs
t <sub>LOW</sub>	Low period of the SCLK clock	1.3	–	μs
t <sub>HIGH</sub>	High period of the SCLK clock	0.6	–	μs
t <sub>SU:STA</sub>	Setup time for a repeated START condition	0.6	–	μs
t <sub>HD:DAT</sub>	Data hold time	100	–	ns
t <sub>SU:DAT</sub>	Data setup time	100	–	ns
t <sub>R</sub>	Rise time	–	300	ns
t <sub>F</sub>	Fall time	–	300	ns
t <sub>SU:STO</sub>	Setup time for STOP condition	0.6	–	μs
t <sub>BUF</sub>	Bus-free time between STOP and START conditions	1.3	–	μs

### Absolute Maximum Conditions

Parameter	Description	Condition	Min	Max	Unit
V <sub>DD</sub>	Supply voltage	–	–0.5	2.8	V
V <sub>DD_CLKX</sub>	Supply voltage	–	–0.5	4.4	V
V <sub>IN</sub>	Input voltage	Relative to V <sub>SS</sub>	–0.5	2.2	V
T <sub>S</sub>	Temperature, storage	Non functional	–65	+150	°C
ESD <sub>HBM</sub>	ESD protection (human body model)	JEDEC EIA/JESD22-A114-E	2000	–	V
UL-94	Flammability rating	V-0 @1/8 in.	–	10	ppm
MSL	Moisture sensitivity level	–	3		

### Recommended Operating Conditions

Parameter	Description	Min	Typ	Max	Unit
V <sub>DD</sub>	V <sub>DD</sub> operating voltage	1.65	1.80	1.95	V
V <sub>DD_CLK_BX</sub>	Output driver voltage	1.43	–	3.60	V
C <sub>LOAD</sub>	Maximum load capacitance	–	–	15	pF
t <sub>PU</sub>	Power up time for all V <sub>DDs</sub> to reach minimum specified voltage (power ramps must be monotonic)	0.05	–	500	ms
T <sub>A</sub>	Ambient temperature, commercial	0	–	70	°C

## DC Electrical Specifications

( $V_{DD\_CLK\_BX} = 1.5\text{ V}/1.8\text{ V}/2.5\text{ V}/3.0\text{ V}/3.3\text{ V}$ )

Parameter	Description	Conditions	Min	Typ	Max	Unit
V <sub>OL</sub>	Output low voltage, CLK pins	I <sub>OL</sub> = 2 mA, drive strength = [00]	–	–	0.4	V
		I <sub>OL</sub> = 3 mA, drive strength = [01]				
		I <sub>OL</sub> = 7 mA, drive strength = [10]				
		I <sub>OL</sub> = 12 mA, drive strength = [11]				
V <sub>OH</sub>	Output high voltage, CLK pins	I <sub>OH</sub> = –2 mA, drive strength = [00]	V <sub>DD\_CLK\_BX</sub> – 0.4	–	–	V
		I <sub>OH</sub> = –3 mA, drive strength = [01]				
		I <sub>OH</sub> = –7 mA, drive strength = [10]				
		I <sub>OH</sub> = –12 mA, drive strength = [11]				
V <sub>OLSD</sub>	Output low voltage, SDA	I <sub>OL</sub> = 4 mA	–	–	0.4	V
V <sub>IL1</sub>	Input low voltage of PD#/OE, SDA and SCL pins		–	–	0.2 × V <sub>DD</sub>	V
V <sub>IL2</sub>	Input low voltage of EXCLKIN pin		–	–	0.2 × V <sub>DD</sub>	V
V <sub>IH1</sub>	Input high voltage of PD#/OE, SDA and SCL pins		0.8 × V <sub>DD</sub>	–	2.2	V
V <sub>IH2</sub>	Input high voltage of EXCLKIN pin		0.8 × V <sub>DD</sub>	–	2.2	V
I <sub>IL1</sub>	Input low current, PD#/OE pin	V <sub>IL</sub> = 0 V	–	–	10	μA
I <sub>IH1</sub>	Input high current, PD#/OE pin	V <sub>IH</sub> = V <sub>DD</sub>	–	–	10	μA
R <sub>DN</sub>	Pull-down resistor of clocks (CLK1-CLK8) in off-state	Clock outputs in off-state by setting PD# = Low	100	160	250	kΩ
I <sub>DD</sub> <sup>[1, 2]</sup>	Supply current	All outputs running, C <sub>LOAD</sub> = 0	–	15	–	mA
I <sub>DSS</sub> <sup>[1]</sup>	Standby current	PD# = Low, and serial interface circuit not in Keep Alive Mode	–	3	–	μA
C <sub>IN</sub> <sup>[2]</sup>	Input capacitance	SCL, SDA and PD#/OE inputs	–	–	7	pF

### Notes

1. This parameter is configuration dependent. The specified value is for the drive level setting of [1,1].
2. Parameters are guaranteed by design and characterization. Not 100% tested in production. All parameters specified with fully loaded outputs.

## AC Electrical Specifications

( $V_{DD\_CLK\_BX} = 1.5\text{ V}/1.8\text{ V}/2.5\text{ V}/3.0\text{ V}/3.3\text{ V}$ )

Parameter	Description	Conditions	Min	Typ	Max	Unit
F <sub>CLK</sub>	Clock output frequency	All clock outputs (for 1.5 V/1.8 V output voltage)	3	–	50	MHz
F <sub>CLK</sub>	Clock output frequency	All clock outputs (for 2.5 V/3.0 V/3.3 V output voltage)	3	–	166	MHz
F <sub>REF</sub> (crystal)	Crystal frequency, XIN	–	8	–	48	MHz
F <sub>REF</sub> (clock)	Input clock frequency, EXCLKIN	–	1	–	48	MHz
DC	Output clock duty cycle	Duty Cycle is defined in <a href="#">Figure 8 on page 13</a> ; $t_1/t_2$ , measured at 50% of $V_{DD\_CLK\_BX}$	45	50	55	%
T <sub>RF1</sub> <sup>[4]</sup>	Output clock rise/fall time	Measured from 20% to 80% of $V_{DD\_CLK\_BX}$ , as shown in <a href="#">Figure 9 on page 13</a> , $C_{LOAD} = 15\text{ pF}$ , drive strength [00]	–	6.8	10.0	ns
T <sub>RF2</sub> <sup>[4]</sup>	Output clock rise/fall time	Measured from 20% to 80% of $V_{DD\_CLK\_BX}$ , as shown in <a href="#">Figure 9 on page 13</a> , $C_{LOAD} = 15\text{ pF}$ , drive strength [01]	–	3.4	5.0	ns
T <sub>RF3</sub> <sup>[4]</sup>	Output clock rise/fall time	Measured from 20% to 80% of $V_{DD\_CLKX\_BX}$ , as shown in <a href="#">Figure 9 on page 13</a> , $C_{LOAD} = 15\text{ pF}$ , drive strength [10]	–	2.0	3.0	ns
T <sub>RF4</sub> <sup>[4]</sup>	Output clock rise/fall time	Measured from 20% to 80% of $V_{DD\_CLKX\_BX}$ , as shown in <a href="#">Figure 9 on page 13</a> , $C_{LOAD} = 15\text{ pF}$ , drive strength [11]	–	1.0	1.5	ns
T <sub>CCJ</sub> <sup>[3, 4]</sup>	Cycle-to-cycle jitter	EXCLKIN = CLKx = 48 MHz, $C_{LOAD} = 15\text{ pF}$ , 4 PLLs and 1 output for each PLL enabled, drive strength = [11]	–	150	–	ps
T <sub>LOCK</sub> <sup>[4]</sup>	PLL Lock time	–	–	1	3	ms

### Notes

- This parameter is configuration dependent. The specified value is for the drive level setting of [1,1].
- Parameters are guaranteed by design and characterization. Not 100% tested in production. All parameters specified with fully loaded outputs.

### Recommended Crystal Specification

For SMD Package

Parameter	Description	Range 1	Range 2	Range 3	Unit
MO	Mode of operation	Fundamental			
Fmin	Minimum frequency	8	14	28	MHz
Fmax	Maximum frequency	14	28	48	MHz
R1	Motional resistance (ESR)	135	50	30	$\Omega$
C0	Shunt capacitance	4	4	2	pF
CL	Parallel load capacitance	18	14	12	pF
DL(max)	Maximum crystal drive level	300	300	300	$\mu$ W

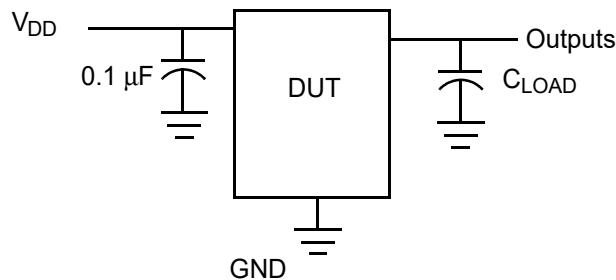
### Recommended Crystal Specification

For Thru-Hole Package

Parameter	Description	Range 1	Range 2	Range 3	Unit
MO	Mode of operation	Fundamental			
Fmin	Minimum frequency	8	14	24	MHz
Fmax	Maximum frequency	14	24	32	MHz
R1	Motional resistance (ESR)	90	50	30	$\Omega$
C0	Shunt capacitance	7	7	7	pF
CL	Parallel load capacitance	18	12	12	pF
DL(max)	Maximum crystal drive level	1000	1000	1000	$\mu$ W

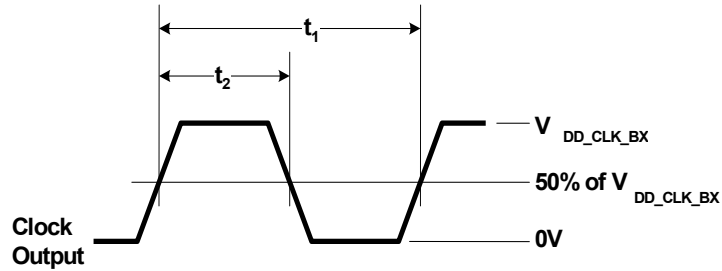
### Test and Measurement Setup

Figure 7. Test and Measurement Setup

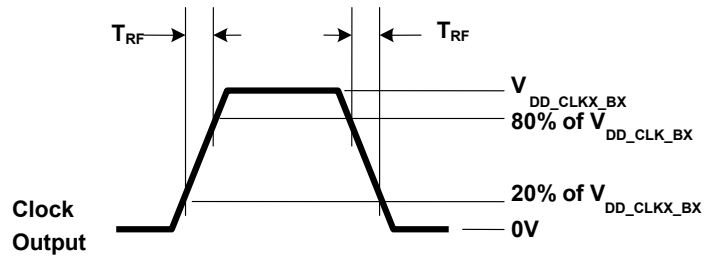


**Voltage and Timing Definitions**

**Figure 8. Duty Cycle Definition**



**Figure 9. Rise Time =  $T_{RF}$ , Fall Time =  $T_{RF}$**



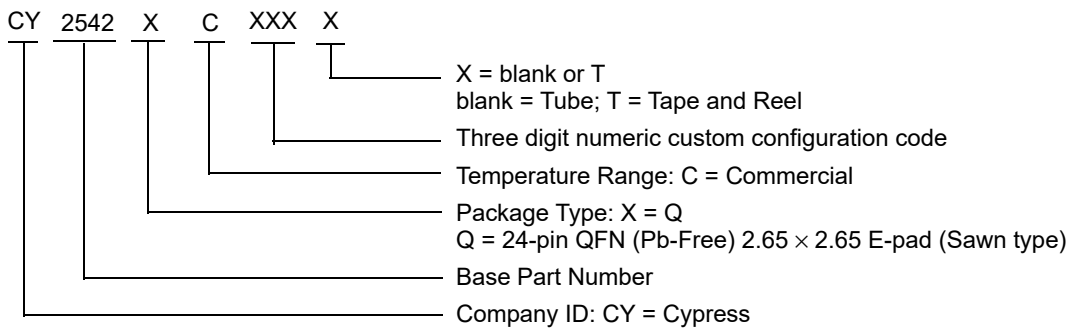
## Ordering Information

All product offerings are factory programmed customer specific devices with customized part numbers. [Table 2](#) shows the available device types, but not complete part numbers. Contact your local Cypress FAE or sales representative for more information.

**Table 2. Possible Configurations**

Part Number <sup>[5]</sup>	Type	V <sub>DD</sub> (V)	Production Flow
<b>Pb-free</b>			
CY2542QCxxx	24-pin QFN	V <sub>DD</sub> = 1.8 V V <sub>DD_CLK_Bx</sub> = 1.5/1.8/2.5/3.0/3.3 V	Commercial
CY2542QCxxxT	24-pin QFN - Tape and Reel	V <sub>DD</sub> = 1.8 V V <sub>DD_CLK_Bx</sub> = 1.5/1.8/2.5/3.0/3.3 V	Commercial

## Ordering Code Definitions

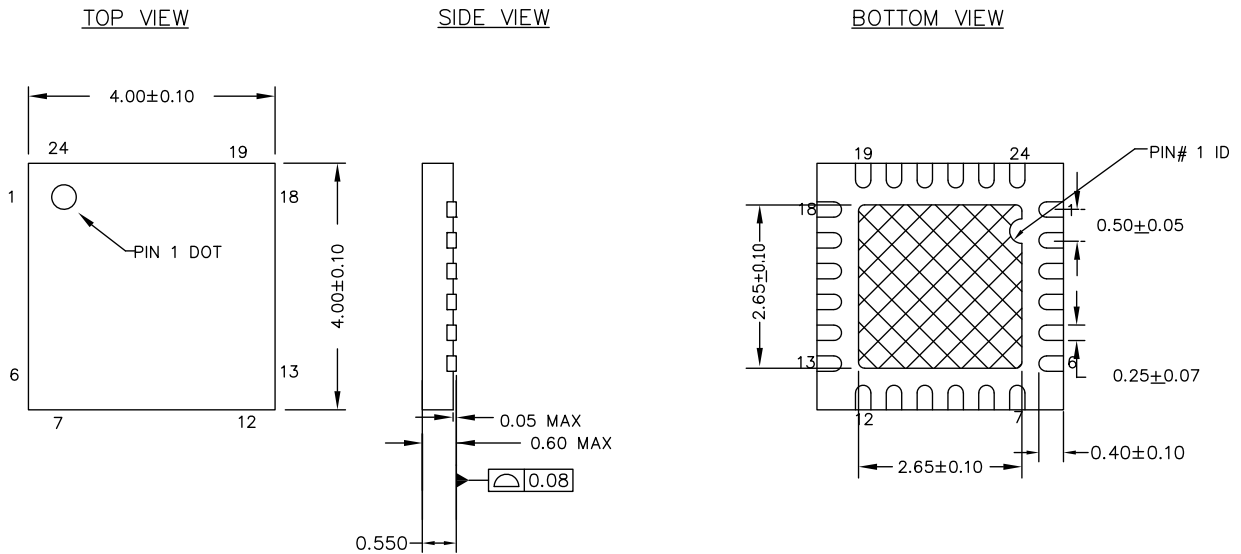


**Note**


5. xx indicates factory programmed parts based on customer specific configuration. For more details, contact your local Cypress FAE or sales representative.

**Package Diagrams**

**Figure 10. 24-pin QFN (4 × 4 × 0.55 mm) LQ24A (2.65 × 2.65 E-Pad (Sawn)) Package Outline, 001-13937**



NOTES :

1.  HATCH IS SOLDERABLE EXPOSED METAL.
2. REFERENCE JEDEC # MO-248
3. PACKAGE WEIGHT : 29 ± 3 mg
4. ALL DIMENSIONS ARE IN MILLIMETERS

001-13937 \*H



## Acronyms

**Table 3. Acronyms Used in this Document**

Acronym	Description
EMI	Electromagnetic Interference
FAE	Field Application Engineer
OE	Output Enable
PLL	Phase-Locked Loop
QFN	Quad Flat No-lead
SSC	Spread Spectrum Clock

## Document Conventions

### Units of Measure

**Table 4. Units of Measure**

Symbol	Unit of Measure
°C	degree Celsius
kHz	kilohertz
kΩ	kilo ohm
MHz	megahertz
μA	microampere
μs	microsecond
μW	microwatt
mA	milliampere
mm	millimeter
ms	millisecond
ns	nanosecond
Ω	ohm
ppm	parts per million
%	percent
pF	picofarad
ps	picosecond
V	volt

## Document History Page

Document Title: CY2542, Quad-PLL Programmable Spread Spectrum Clock Generator with Two-Wire Serial Interface and Frequency Select			
Document Number: 001-72951			
Rev.	ECN No.	Submission Date	Description of Change
**	3378470	11/14/2011	New data sheet.
*A	3507333	01/30/2012	Removed SSON pin related information in all instances across the document. Replaced "I <sup>2</sup> C Serial Interface" with "two-wire Serial Interface" in all instances across the document. Updated <a href="#">Logic Block Diagram</a> .
*B	4580483	12/11/2014	Updated <a href="#">Two-wire Serial Interface</a> : Updated <a href="#">Figure 3</a> . Updated <a href="#">Package Diagrams</a> : spec 51-85203 – Changed revision from *C to *D. Updated to new template. Completing Sunset Review.
*C	5258614	05/18/2016	Updated <a href="#">Two-wire Serial Interface</a> : Updated <a href="#">Data Valid</a> : Updated <a href="#">Figure 4</a> . Added <a href="#">Serial I2C Programming Interface Timing Specifications</a> . Removed "Two-wire Serial Programming Interface Timing Specifications". Updated <a href="#">Ordering Information</a> : Updated <a href="#">Table 2</a> : Updated part numbers. Updated <a href="#">Package Diagrams</a> : Added spec 001-13937 *F ( <a href="#">Figure 10</a> ). Updated to new template.
*D	5381451	08/06/2016	Updated <a href="#">Features</a> : Replaced "24-pin (4 × 4 × 1 mm) QFN Package" with "24-pin QFN (4 × 4 × 0.6 mm) Package". Updated <a href="#">Ordering Information</a> : Updated <a href="#">Table 2</a> : Updated part numbers. Updated <a href="#">Package Diagrams</a> : Removed spec 51-85203 *D.
*E	5778002	06/19/2017	Updated <a href="#">Features</a> : Added one-time programmability. Updated <a href="#">Functional Description</a> : Added "For a complete list of related documentation, click <a href="#">here</a> ." at the end. Updated <a href="#">Pin Definitions</a> : Updated details in "Description" column corresponding to pin numbers 2, 6, 10, 11, 13, 15, 17, and 20. Updated to new template.
*F	5955206	11/02/2017	Updated <a href="#">Logic Block Diagram</a> . Updated <a href="#">DC Electrical Specifications</a> : Updated details in "Max" column corresponding to V <sub>IL2</sub> parameter. Updated details in "Max" column corresponding to V <sub>IH1</sub> parameter. Updated details in "Min" column corresponding to V <sub>IH2</sub> parameter. Updated to new template. Completing Sunset Review.
*G	6897833	06/12/2020	Updated <a href="#">Package Diagrams</a> : spec 001-13937 – Changed revision from *F to *H.

## Sales, Solutions, and Legal Information

### Worldwide Sales and Design Support

Cypress maintains a worldwide network of offices, solution centers, manufacturer's representatives, and distributors. To find the office closest to you, visit us at [Cypress Locations](#).

#### Products

Arm <sup>®</sup> Cortex <sup>®</sup> Microcontrollers	<a href="http://cypress.com/arm">cypress.com/arm</a>
Automotive	<a href="http://cypress.com/automotive">cypress.com/automotive</a>
Clocks & Buffers	<a href="http://cypress.com/clocks">cypress.com/clocks</a>
Interface	<a href="http://cypress.com/interface">cypress.com/interface</a>
Internet of Things	<a href="http://cypress.com/iot">cypress.com/iot</a>
Memory	<a href="http://cypress.com/memory">cypress.com/memory</a>
Microcontrollers	<a href="http://cypress.com/mcu">cypress.com/mcu</a>
PSoC	<a href="http://cypress.com/psoc">cypress.com/psoc</a>
Power Management ICs	<a href="http://cypress.com/pmic">cypress.com/pmic</a>
Touch Sensing	<a href="http://cypress.com/touch">cypress.com/touch</a>
USB Controllers	<a href="http://cypress.com/usb">cypress.com/usb</a>
Wireless Connectivity	<a href="http://cypress.com/wireless">cypress.com/wireless</a>

#### PSoC<sup>®</sup> Solutions

[PSoC 1](#) | [PSoC 3](#) | [PSoC 4](#) | [PSoC 5LP](#) | [PSoC 6 MCU](#)

#### Cypress Developer Community

[Community](#) | [Code Examples](#) | [Projects](#) | [Video](#) | [Blogs](#) | [Training](#) | [Components](#)

#### Technical Support

[cypress.com/support](http://cypress.com/support)

© Cypress Semiconductor Corporation, 2011-2020. This document is the property of Cypress Semiconductor Corporation and its subsidiaries ("Cypress"). This document, including any software or firmware included or referenced in this document ("Software"), is owned by Cypress under the intellectual property laws and treaties of the United States and other countries worldwide. Cypress reserves all rights under such laws and treaties and does not, except as specifically stated in this paragraph, grant any license under its patents, copyrights, trademarks, or other intellectual property rights. If the Software is not accompanied by a license agreement and you do not otherwise have a written agreement with Cypress governing the use of the Software, then Cypress hereby grants you a personal, non-exclusive, nontransferable license (without the right to sublicense) (1) under its copyright rights in the Software (a) for Software provided in source code form, to modify and reproduce the Software solely for use with Cypress hardware products, only internally within your organization, and (b) to distribute the Software in binary code form externally to end users (either directly or indirectly through resellers and distributors), solely for use on Cypress hardware product units, and (2) under those claims of Cypress's patents that are infringed by the Software (as provided by Cypress, unmodified) to make, use, distribute, and import the Software solely for use with Cypress hardware products. Any other use, reproduction, modification, translation, or compilation of the Software is prohibited.

TO THE EXTENT PERMITTED BY APPLICABLE LAW, CYPRESS MAKES NO WARRANTY OF ANY KIND, EXPRESS OR IMPLIED, WITH REGARD TO THIS DOCUMENT OR ANY SOFTWARE OR ACCOMPANYING HARDWARE, INCLUDING, BUT NOT LIMITED TO, THE IMPLIED WARRANTIES OF MERCHANTABILITY AND FITNESS FOR A PARTICULAR PURPOSE. No computing device can be absolutely secure. Therefore, despite security measures implemented in Cypress hardware or software products, Cypress shall have no liability arising out of any security breach, such as unauthorized access to or use of a Cypress product. CYPRESS DOES NOT REPRESENT, WARRANT, OR GUARANTEE THAT CYPRESS PRODUCTS, OR SYSTEMS CREATED USING CYPRESS PRODUCTS, WILL BE FREE FROM CORRUPTION, ATTACK, VIRUSES, INTERFERENCE, HACKING, DATA LOSS OR THEFT, OR OTHER SECURITY INTRUSION (collectively, "Security Breach"). Cypress disclaims any liability relating to any Security Breach, and you shall and hereby do release Cypress from any claim, damage, or other liability arising from any Security Breach. In addition, the products described in these materials may contain design defects or errors known as errata which may cause the product to deviate from published specifications. To the extent permitted by applicable law, Cypress reserves the right to make changes to this document without further notice. Cypress does not assume any liability arising out of the application or use of any product or circuit described in this document. Any information provided in this document, including any sample design information or programming code, is provided only for reference purposes. It is the responsibility of the user of this document to properly design, program, and test the functionality and safety of any application made of this information and any resulting product. "High-Risk Device" means any device or system whose failure could cause personal injury, death, or property damage. Examples of High-Risk Devices are weapons, nuclear installations, surgical implants, and other medical devices. "Critical Component" means any component of a High-Risk Device whose failure to perform can be reasonably expected to cause, directly or indirectly, the failure of the High-Risk Device, or to affect its safety or effectiveness. Cypress is not liable, in whole or in part, and you shall and hereby do release Cypress from any claim, damage, or other liability arising from any use of a Cypress product as a Critical Component in a High-Risk Device. You shall indemnify and hold Cypress, its directors, officers, employees, agents, affiliates, distributors, and assigns harmless from and against all claims, costs, damages, and expenses, arising out of any claim, including claims for product liability, personal injury or death, or property damage arising from any use of a Cypress product as a Critical Component in a High-Risk Device. Cypress products are not intended or authorized for use as a Critical Component in any High-Risk Device except to the limited extent that (i) Cypress's published data sheet for the product explicitly states Cypress has qualified the product for use in a specific High-Risk Device, or (ii) Cypress has given you advance written authorization to use the product as a Critical Component in the specific High-Risk Device and you have signed a separate indemnification agreement.

Cypress, the Cypress logo, Spansion, the Spansion logo, and combinations thereof, WICED, PSoC, CapSense, EZ-USB, F-RAM, and Traveo are trademarks or registered trademarks of Cypress in the United States and other countries. For a more complete list of Cypress trademarks, visit [cypress.com](http://cypress.com). Other names and brands may be claimed as property of their respective owners.