



Please note that Cypress is an Infineon Technologies Company.

The document following this cover page is marked as “Cypress” document as this is the company that originally developed the product. Please note that Infineon will continue to offer the product to new and existing customers as part of the Infineon product portfolio.

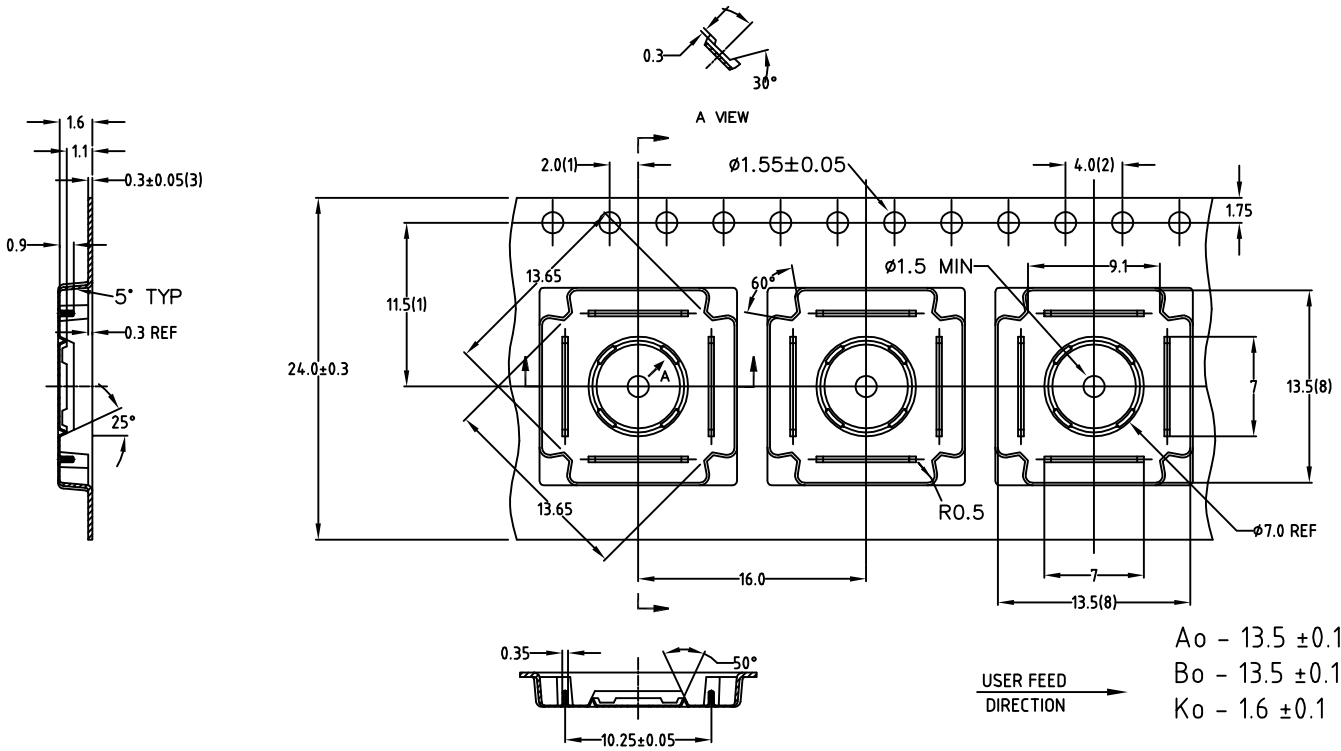
Continuity of document content

The fact that Infineon offers the following product as part of the Infineon product portfolio does not lead to any changes to this document. Future revisions will occur when appropriate, and any changes will be set out on the document history page.

Continuity of ordering part numbers

Infineon continues to support existing part numbers. Please continue to use the ordering part numbers listed in the datasheet for ordering.

REVISIONS					
ZONE	REV	ECN	DESCRIPTION	DATE	APPROVED
	**	113647	NEW RELEASE	2/21/02	
	*A	120098	Change title from 52LD TQFP (10x10x1.0) Carrier Tape to Carrier Tape, TQFP 52 (10x10x1.0mm), Change tolerance on major dim. from 1 to 0.1, Reformat notes	10/14/02	
	*B	3754505	NO CHANGE - SUNSET REVIEW	10/08/12	QAD/KGL



- NOTES:
- (1) MEASURED FROM THE CENTERLINE OF SPROCKET HOLE TO CENTERLINE OF THE POCKET HOLE AND FROM THE CENTERLINE OF SPROCKET HOLE TO CENTERLINE OF THE POCKET
 - (2) CUMULATIVE TOLERANCE OF 10 SPROCKET HOLES IS ±0.20
 - (3) THIS THICKNESS IS APPLICABLE AS MEASURED AT THE EDGE OF THE TAPE
 4. MATERIAL: CONDUCTIVE POLYSTYRENE
 5. DIM IN MM
 6. ALLOWABLE CAMBER TO BE 1mm PER 100mm IN LENGTH, NON-CUMULATIVE OVER 250mm
 7. UNLESS OTHERWISE SPECIFIED, TOLERANCE ±0.10
 - (8) MEASUREMENT POINT TO BE 0.3 FROM BOTTOM POCKET .
 9. SURFACE RESISTIVITY LESS THAN OR EQUAL TO 1.0X10E6 OHMS/SQ.

UNLESS OTHERWISE SPECIFIED		DESIGNED BY	DATE	 CYPRESS COMPANY CONFIDENTIAL
ALL DIMENSIONS ARE IN MILLIMETERS STANDARD TOLERANCES ON:		DRAWN	DATE	
DECIMALS	± 0.1	ANGLES	±	
XX	± 0.1			
XXX	±			
XXXX	±			
MATERIAL	SEE NOTE	APPROVED BY	DATE	TITLE
FINISH		APPROVED BY	DATE	CARRIER TAPE, TQFP 52 (10x10x1.0mm)
				SIZE
				PART NO.
				DWG NO.
				REV
				A
				51-51146
				*B
SCALE DO NOT SCALE				SHEET 1 OF 1