



Please note that Cypress is an Infineon Technologies Company.

The document following this cover page is marked as “Cypress” document as this is the company that originally developed the product. Please note that Infineon will continue to offer the product to new and existing customers as part of the Infineon product portfolio.

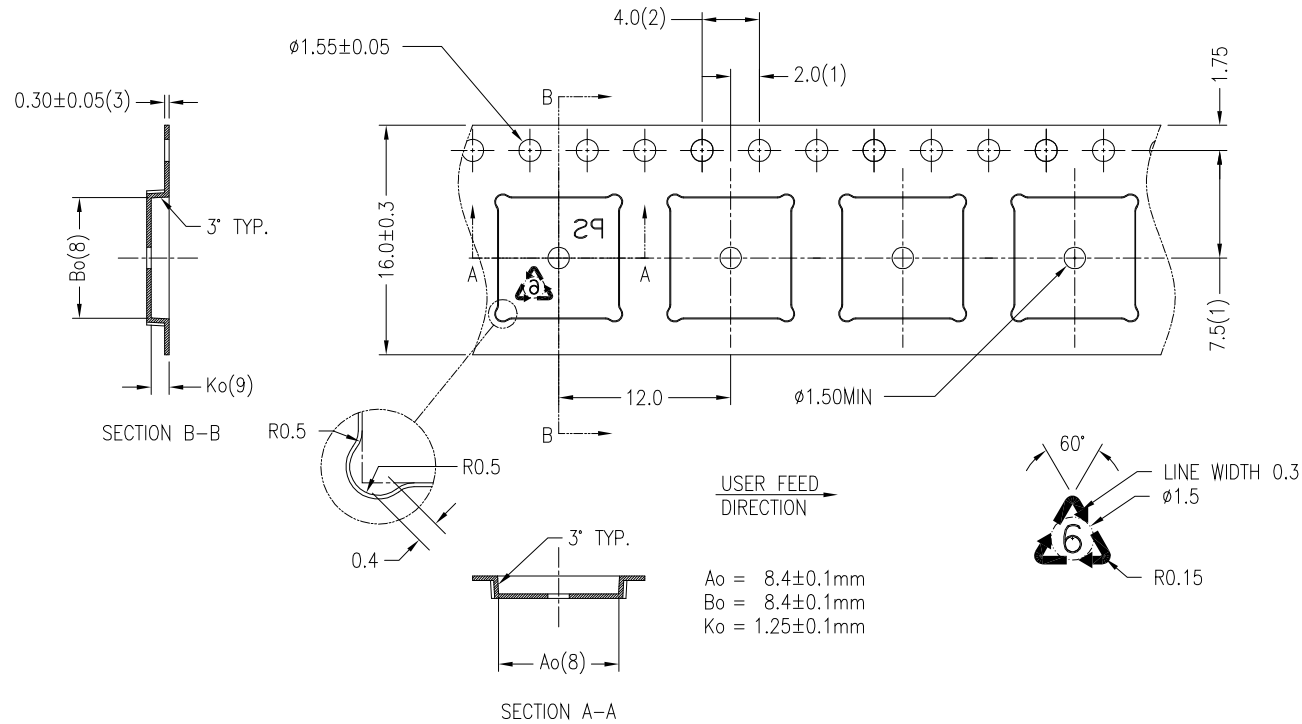
Continuity of document content

The fact that Infineon offers the following product as part of the Infineon product portfolio does not lead to any changes to this document. Future revisions will occur when appropriate, and any changes will be set out on the document history page.

Continuity of ordering part numbers

Infineon continues to support existing part numbers. Please continue to use the ordering part numbers listed in the datasheet for ordering.

REVISIONS						
PAGE	ZONE	REV	ECN	DESCRIPTION	DATE	APPROVED
1	-	**	124663	NEW RELEASE	02/17/03	
1	-	*A	322833	CORRECTED Ao AND Bo DIMENSIONS FROM 8.8MM TO 8.4MM	02/21/05	
1	-	*B	3192229	CHANGE TITLE FROM CARRIER TAPE, QFN 8X8X1.0 TO CARRIER TAPE, QFN 8X8X1.0 (PEAK) UPDATED DRAWING BASED ON SUPPLIER'S LATEST DRAWING REVISION CHANGE DRAWING TEMPLATE	03/14/11	QAD/KGL
1	-	*C	4335029	SUNSET REVIEW. NO CHANGE.	04/07/14	QAD/UYO



- NOTES:
- (1). MEASURED FROM THE CENTERLINE OF SPROCKET HOLE TO CENTERLINE OF THE POCKET HOLE AND FROM THE CENTERLINE OF SPROCKET HOLE TO CENTERLINE OF THE POCKET.
 - (2). CUMULATIVE TOLERANCE OF 10 SPROCKET HOLES IS ± 0.20
 - (3). THIS THICKNESS IS APPLICABLE AS MEASURE AT THE EDGE OF THE TAPE.
 - (4). MATERIAL:BLACK POLYSTYRENE
 - (5). DIMENSIONS ARE IN MILLIMETERS.
 - (6). ALLOWABLE CAMBER TO BE 1MM PER 100MM IN LENGTH, NON-CUMULATIVE OVER 250MM.
 - (7). UNLESS OTHERWISE SPECIFIED TOLERANCE ± 0.10 .
 - (8). MEASUREMENT POINT TO BE 0.3 FROM BOTTOM POCKET.
 - (9). Ko MEASUREMENT POINT SHOULD NOT BE REFERRED ON POCKET RIDGE.
 - (10). SURFACE RESISTIVITY FROM 10^5 TO 10^{11} OHMS/SQ

UNLESS OTHERWISE SPECIFIED ALL DIMENSIONS ARE IN MILLIMETERS STANDARD TOLERANCES ON: DECIMALS ANGLES .X ± 0.10 \pm .XX ± 0.10 .XXX \pm	DESIGNED BY	DATE						
	DRAWN BY	DATE						
	CHECKED BY	DATE						
	APPROVED BY	DATE						
MATERIAL	SEE NOTES	APPROVED BY	DATE	TITLE	SIZE	PART NO.	DWG NO	REV
FINISH		APPROVED BY	DATE	CARRIER TAPE, QFN 8X8X1.0 (PEAK)	A	LF8X8CT	51-51165	*C
				SCALED TO FIT	ENG'G REV			SHEET 1 OF 1

THIS DRAWING CONTAINS INFORMATION WHICH IS THE PROPRIETARY PROPERTY OF CYPRESS SEMICONDUCTOR CORPORATION. THIS DRAWING IS RECEIVED IN CONFIDENCE AND ITS CONTENTS MAY NOT BE DISCLOSED WITHOUT WRITTEN CONSENT OF CYPRESS SEMICONDUCTOR CORPORATION.