



**Please note that Cypress is an Infineon Technologies Company.**

The document following this cover page is marked as “Cypress” document as this is the company that originally developed the product. Please note that Infineon will continue to offer the product to new and existing customers as part of the Infineon product portfolio.

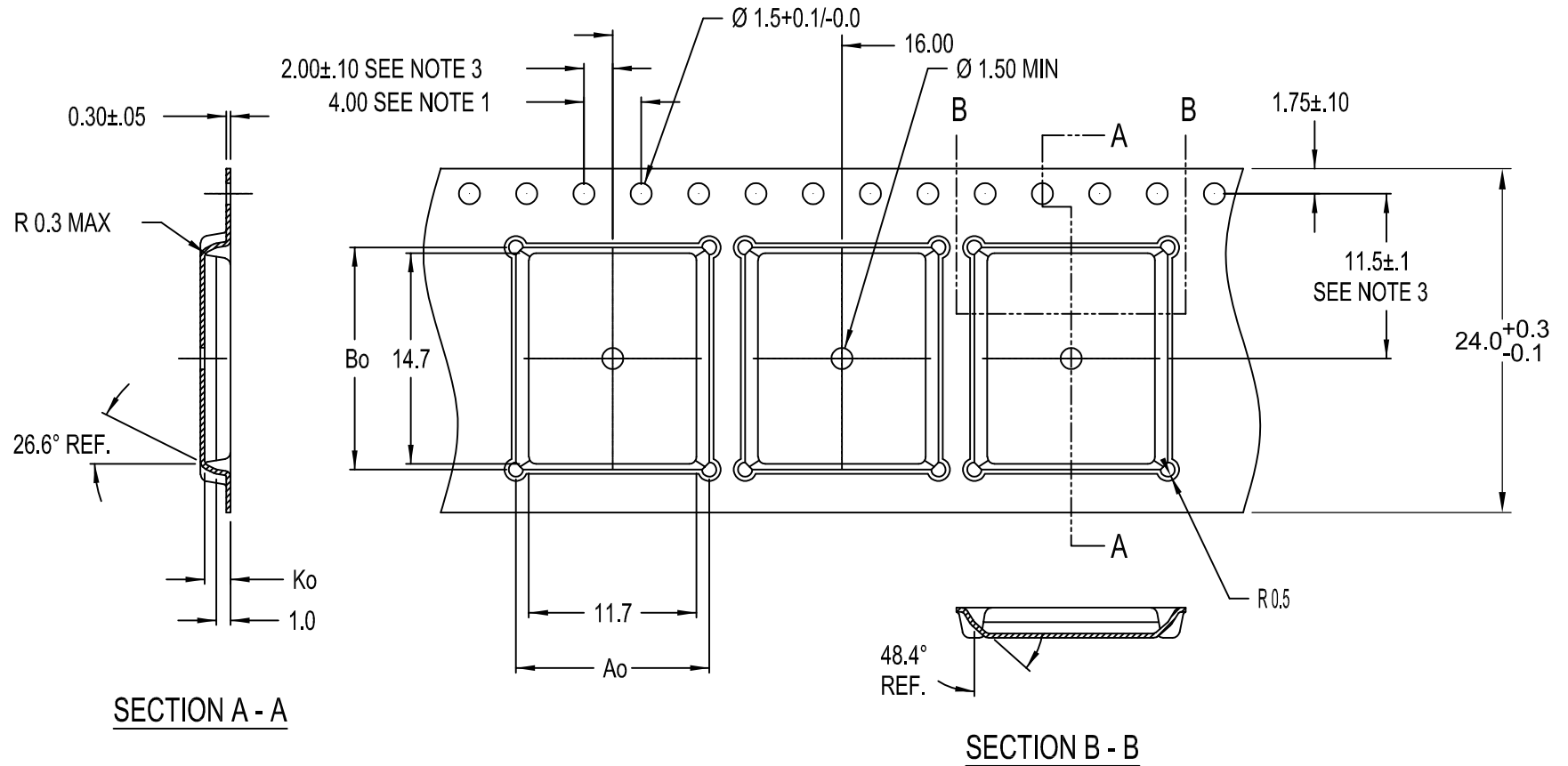
**Continuity of document content**

The fact that Infineon offers the following product as part of the Infineon product portfolio does not lead to any changes to this document. Future revisions will occur when appropriate, and any changes will be set out on the document history page.

**Continuity of ordering part numbers**

Infineon continues to support existing part numbers. Please continue to use the ordering part numbers listed in the datasheet for ordering.

REVISIONS						
PAGE	ZONE	REV	ECN	DESCRIPTION	DATE	APPROVED
-	-	**	108617	NEW RELEASE	07/10/01	
-	-	*A	111308	ADDED Ao, Bo, Ko TOLERANCE DIMENSION	10/28/01	
-	-	*B	120097	CHANGE TITLE FROM 165 FBGA CARRIER TAPE (13X15MM) TO CARRIER TAPE, FBGA 165 (13X15MM), DELETED ADVANTEK DWG REF#.	10/14/02	
-	-	*C	3769090	SUNSET REVIEW. CHANGE DRAWING TEMPLATE ALIGNED TO 001-49215	10/12/12	
-	-	*D	5807050	CHANGE PART NUMBER FROM BG165CT TO BB165CT	07/10/17	
-	-	*E	6955220	REVISED TAPE WIDTH TOLERANCE FROM $\pm 0.3$ MM TO $+0.3/-0.1$ MM	08/26/20	



**SECTION A - A**

**SECTION B - B**

Ao = 13.50 ±0.1mm


Bo = 15.50 ±0.1mm

Ko = 1.80 ±0.1mm

**NOTES:**

1. 10 SPROCKET HOLE PITCH CUMULATIVE TOLERANCE  $\pm 0.2$
2. CAMBER IN COMPLIANCE WITH EIA 481
3. POCKET POSITION RELATIVE TO SPROCKET HOLE MEASURED AS TRUE POSITION OF POCKET, NOT POCKET HOLE

THIS DRAWING CONTAINS INFORMATION WHICH IS THE PROPRIETARY PROPERTY OF CYPRESS SEMICONDUCTOR CORPORATION. THIS DRAWING IS RECEIVED IN CONFIDENCE AND ITS CONTENTS MAY NOT BE DISCLOSED WITHOUT WRITTEN CONSENT OF CYPRESS SEMICONDUCTOR CORPORATION.

UNLESS OTHERWISE SPECIFIED ALL DIMENSIONS ARE IN MILLIMETERS <b>STANDARD TOLERANCES ON:</b> DECIMALS                      ANGLES .X                      ± 0.2                      °                      ± .XX                      ± 0.10 .XXX                      ±	DESIGNED BY	DATE	 <b>CYPRESS</b> Company Confidential				
	DRAWN BY	DATE					
	CHECKED BY	DATE					
	APPROVED BY	DATE					
MATERIAL	PS+C	APPROVED BY	DATE	TITLE	CARRIER TAPE, FBGA165 (13X15MM)		
FINISH		APPROVED BY	DATE	SIZE	PART NO.	DWG NO.	REV
				A	BB165CT	51-51126	*E
				SCALE: NTS			SHEET 1 OF 1