



Please note that Cypress is an Infineon Technologies Company.

The document following this cover page is marked as “Cypress” document as this is the company that originally developed the product. Please note that Infineon will continue to offer the product to new and existing customers as part of the Infineon product portfolio.

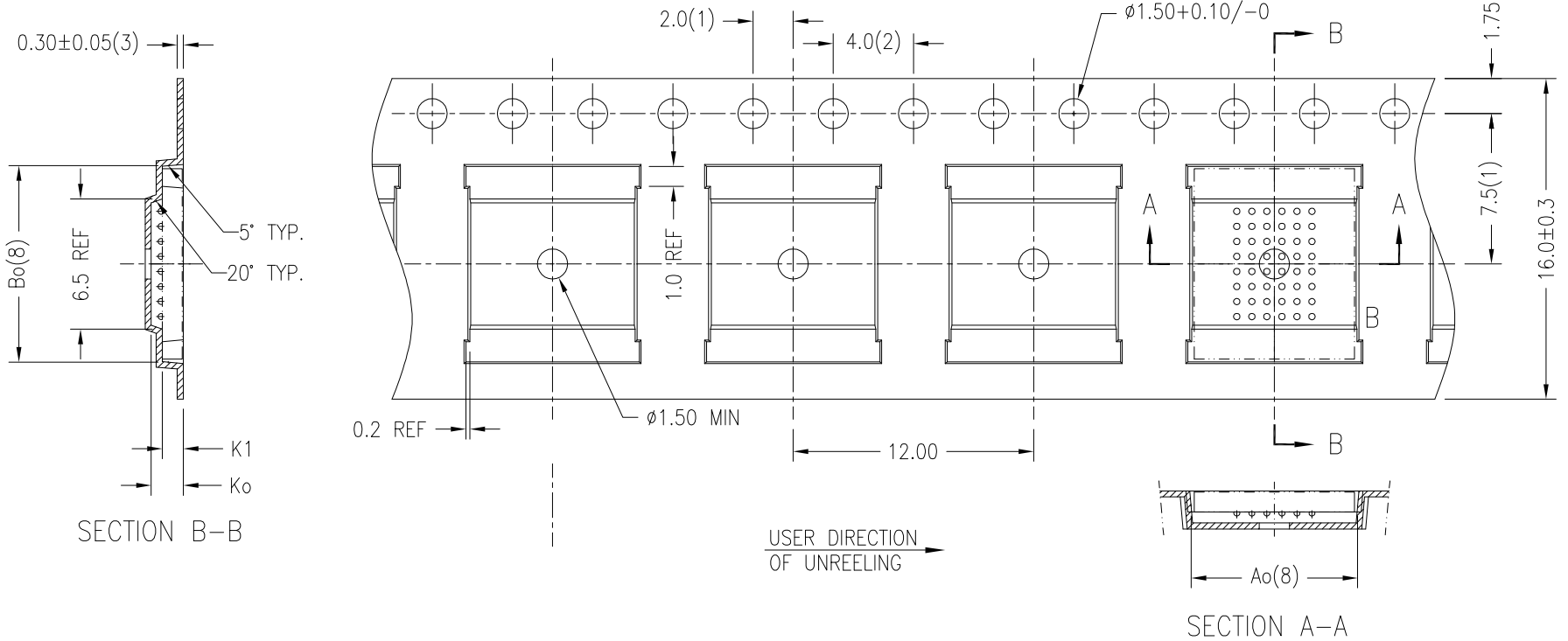
Continuity of document content

The fact that Infineon offers the following product as part of the Infineon product portfolio does not lead to any changes to this document. Future revisions will occur when appropriate, and any changes will be set out on the document history page.

Continuity of ordering part numbers

Infineon continues to support existing part numbers. Please continue to use the ordering part numbers listed in the datasheet for ordering.

REVISIONS						
PAGE	ZONE	REV	ECN	DESCRIPTION	DATE	APPROVED
1	-	**	124280	NEW RELEASE	02/04/03	
1	-	*A	132441	CORRECTED POCKET DESIGN TO CHANGE CORNER DESIGN.	01/06/04	
1	-	*B	3113829	CHANGE TITLE FROM CARRIER TAPE, BGA 8x9.5x1.0 TO CARRIER TAPE, BGA 8x9.5x1.0 (PEAK) UPDATE DRAWING BASED ON SUPPLIER'S LATEST DRAWING CHANGE DRAWING TEMPLATE	12/31/10	QAD/KGL
1	-	*C	4277757	SUNSET REVIEW. NO CHANGE.	02/11/14	QAD



NOTES:

- (1) MEASURED FROM THE CENTERLINE OF SPROCKET HOLE TO CENTERLINE OF THE POCKET HOLE AND FROM THE CENTERLINE OF SPROCKET HOLE TO CENTERLINE OF THE POCKET
- (2) CUMULATIVE TOLERANCE OF 10 SPROCKET HOLES IS ±0.20
- (3) THIS THICKNESS IS APPLICABLE AS MEASURED AT THE EDGE OF THE TAPE
- 4. MATERIAL: BLACK POLYSTYRENE
- 5. DIM IN MM
- 6. ALLOWABLE CAMBER TO BE 1mm PER 100mm IN LENGTH, NON-CUMULATIVE OVER 250mm
- 7. UNLESS OTHERWISE SPECIFIED, TOLERANCE ±0.10
- (8) MEASUREMENT POINT TO BE 0.3 FROM BOTTOM POCKET.
- 9. SURFACE RESISTIVITY FROM 1.0×10^5 TO 1.0×10^{11} OHMS/SQ

$A_o - 8.30 \pm 0.1$
 $B_o - 9.80 \pm 0.1$
 $K_1 - 1.05 \pm 0.1$
 $K_o - 1.60 \pm 0.2$

THIS DRAWING CONTAINS INFORMATION WHICH IS THE PROPRIETARY PROPERTY OF CYPRESS SEMICONDUCTOR CORPORATION. THIS DRAWING IS RECEIVED IN CONFIDENCE AND ITS CONTENTS MAY NOT BE DISCLOSED WITHOUT WRITTEN CONSENT OF CYPRESS SEMICONDUCTOR CORPORATION.

UNLESS OTHERWISE SPECIFIED ALL DIMENSIONS ARE IN MILLIMETERS STANDARD TOLERANCES ON:		DESIGNED BY	DATE	 CYPRESS Company Confidential
DECIMALS	ANGLES	DRAWN BY	DATE	
.X ± 0.10	±	ADOQ	12/31/10	
.XX ± 0.10		CHECKED BY	DATE	
.XXX ±		UDD	02/11/14	TITLE
		APPROVED BY	DATE	CARRIER TAPE, BGA 8x9.5x1.0 (PEAK)
		QAD	02/11/14	SIZE
MATERIAL	SEE NOTES	APPROVED BY	DATE	A
FINISH		UYO	02/11/14	PART NO.
		APPROVED BY	DATE	BG8x9.5CT
				DWG NO
				51-51164
				REV
				*C
				SCALED TO FIT
				ENG'G REV
				SHEET 1 OF 1