



Please note that Cypress is an Infineon Technologies Company.

The document following this cover page is marked as “Cypress” document as this is the company that originally developed the product. Please note that Infineon will continue to offer the product to new and existing customers as part of the Infineon product portfolio.

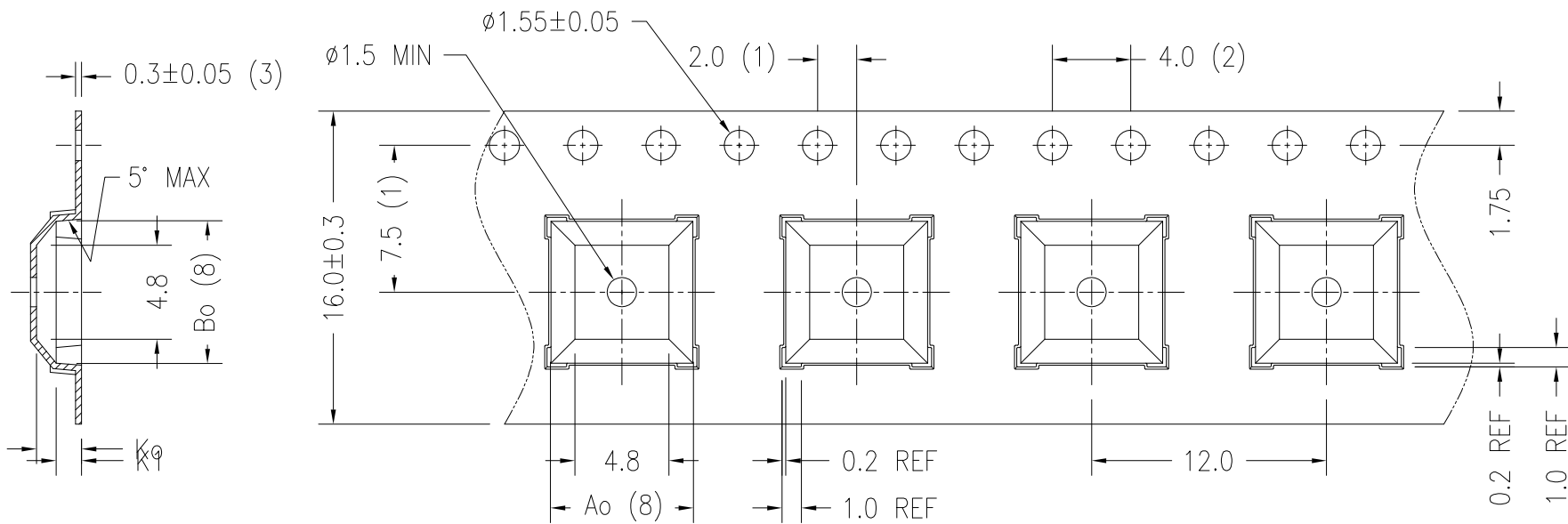
Continuity of document content

The fact that Infineon offers the following product as part of the Infineon product portfolio does not lead to any changes to this document. Future revisions will occur when appropriate, and any changes will be set out on the document history page.

Continuity of ordering part numbers

Infineon continues to support existing part numbers. Please continue to use the ordering part numbers listed in the datasheet for ordering.

REVISIONS						
PAGE	ZONE	REV	ECN	DESCRIPTION	DATE	APPROVED
1	-	**	52804	NEW RELEASE	10/23/97	
1	-	*A	111309	ADDED Ao,Bo,Ko,K1 TOLERANCES DIMENSION	10/28/01	
1	-	*B	222423	Change title from 48LD Mini BGA Carrier Tape to Carrier tape, BGA 36/48 (7x7x1.2), change design to add corner relief.	05/01/04	
1	-	*C	3267701	UPDATED DRAWING BASED ON SUPPLIER'S LATEST DRAWING REVISION CHANGE DRAWING TEMPLATE	05/31/11	
1	-	*D	4555880	SUNSET REVIEW. NO CHANGE.	11/28/14	



USER DIRECTION
OF UNREELING →

Ao = 7.3±0.1mm
A1 = 4.8±0.1mm
Bo = 7.3±0.1mm
A1 = 4.8±0.1mm
Ko = 2.3±0.1mm
K1 = 1.3±0.1mm

- NOTES:
- (1). MEASURED FROM THE CENTERLINE OF SPROCKET HOLE TO CENTERLINE OF THE POCKET HOLE AND FROM THE CENTERLINE OF SPROCKET HOLE TO CENTERLINE OF THE POCKET
 - (2). CUMULATIVE TOLERANCE OF 10 SPROCKET HOLES IS ±0,20
 - (3). THIS THICKNESS IS APPLICABLE AS MEASURED AT THE EDGE OF THE TAPE
 4. MATERIAL: BLACK POLYSTYRENE
 5. ALL DIMENSIONS ARE IN MILLIMETERS
 6. ALLOWABLE CAMBER TO BE 1mm PER 100mm IN LENGTH, NON-CUMULATIVE OVER 250mm
 7. UNLESS OTHERWISE SPECIFIED, TOLERANCE ±0.10
 - (8). MEASUREMENT POINT TO BE 0.3mm FROM BOTTOM POCKET
 9. SURFACE RESISTIVITY FROM 1.0x10⁵ TO 1.0x10¹¹ OHMS/SQ.

UNLESS OTHERWISE SPECIFIED ALL DIMENSIONS ARE IN MILLIMETERS STANDARD TOLERANCES ON: DECIMALS ± 0.2 ANGLES ± .XX ± 0.10 .XXX ±	DESIGNED BY	DATE	CYPRESS Company Confidential		
	DRAWN BY AOQ	DATE 05/31/11			
	CHECKED BY AEL	DATE 05/31/11			
	APPROVED BY QAD	DATE 11/28/14			
MATERIAL	SEE NOTES	APPROVED BY UYO	DATE 11/28/14		
FINISH		APPROVED BY	DATE		
TITLE CARRIER TAPE, BGA 36/48 (7X7X1.2MM)		SIZE A	PART NO. BA48CT	DWG NO 51-51086	REV *D
SCALED TO FIT		ENG'G REV		SHEET 1 OF 1	

THIS DRAWING CONTAINS INFORMATION WHICH IS THE PROPRIETARY PROPERTY OF CYPRESS SEMICONDUCTOR CORPORATION. THIS DRAWING IS RECEIVED IN CONFIDENCE AND ITS CONTENTS MAY NOT BE DISCLOSED WITHOUT WRITTEN CONSENT OF CYPRESS SEMICONDUCTOR CORPORATION.