

BTS3256D

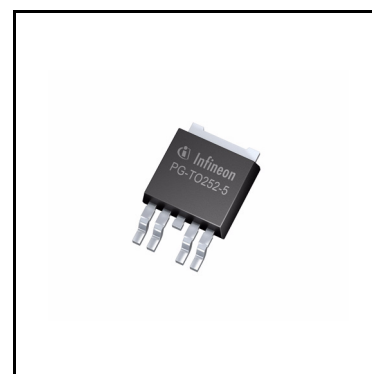
Smart Low Side Power Switch



1 Overview

Features

- Slew rate control by dedicated pin enabling EMC optimized switching or PWM operation
- Max. switching Frequency 12 kHz
- Clear detection of digital fault signal also during fast PWM operation due to restart delay time
- Thermal and overload protection with time controlled auto restart behavior
- Time and Power limited active current limitation
- Minimum $R_{DS(on)}$ achieved with 3.3 V or 5 V logic input
- Electrostatic discharge protection (ESD)
- Very low leakage current
- Green Product (RoHS compliant)
- Digital Diagnostic Features
 - Over temperature
 - Over load
 - Short circuit
 - Clear detection due to a restart delay time
- Protection Functions
 - Enhanced short circuit protection with time and power limited active current limitation
 - Under voltage lock out
 - Over temperature with time and temperature controlled auto restart
 - Over load with power and time controlled auto restart
 - ESD protection



Potential Applications

- All types of resistive, inductive and capacitive loads
- Suitable for loads with inrush current, such as motors, coils, solenoids or lamps
- Suitable for EMC optimized switching in slow operation mode
- Suitable for higher speed PWM controlled loads in fast operation mode
- Replacement of electromechanical relays, fuses and discrete circuits
- Micro controller compatible low side power switch with digital feedback for 12 V loads

Overview

Description

The BTS3256D is a single channel low-side power switch in PG-TO-252-5-11 package providing embedded protective functions. This HITFET™ is designed for automotive and industrial applications with outstanding protection and control features. The power transistor is a N-channel vertical power MOSFET. **The device is controlled by a chip in Smart Power Technology.**

The BTS3256D is an autorestart single channel low-side power switch in PG-TO-252-5-11 package providing embedded protective functions. The device is able to switch all kind of resistive, inductive and capacitive loads.

The ESD protection of the V_S and IN/Fault pin is referenced to GND.

The BTS3256D is supplied by the V_S Pin. This Pin should be connected to a reverse protected battery line. The supply voltage is monitored by the under voltage lock out circuit. The Gate driving unit allows the device to operate in the lowest ohmic range independent of the input signal level, 3.3 V or 5 V. For slow PWM application the device offers smooth turn-on and off due to the embedded edge shaping function, to reduce EMC noise. Furthermore the SRP pin can be used to customize the slew rate of the device in a wide range.

The Device is designed for driving automotive loads like motors, valves, coils or bulbs in continuous or PWM mode.

The over voltage protection is for protection during load-dump or inductive turn off conditions. The power MOSFET is limiting the Drain-Source voltage to a specified level. This function is available even without any supply.

The over temperature protection prevents the device from overheating due to overload and/or bad cooling conditions. In order to reduce the device stress the edge shaping is disabled during thermal shutdown. After thermal shutdown the device stays off for the specified restart delay time to enable a clear feedback readout on the microcontroller. After this time the device follows the IN signal state.

At high dynamic overload conditions, such as short circuit, the device will either turn off immediately due to the implemented over power limitation, or limit the current for a specified time and then switch off for the restart delay time. Shutdown of the device is triggered if the power dissipation during limitation is above the over power threshold. The short circuit shutdown is a timed restart function. The device will stay off for the specified time and afterwards follow the IN signal state. In order to reduce the device stress the edge shaping is disabled during protective turn off.

Table 1 Basic Electrical Data

| | | |
|--|------------------|----------------|
| Operating voltage | V_{SOP} | 5.5 V.... 30 V |
| Over voltage protection | $V_{D(AZ)}$ | 40 V |
| Maximum ON State resistance at $T_j = 150^\circ\text{C}$ | $R_{DS(ON,max)}$ | 20 m Ω |
| Typical ON State resistance at $T_j = 25^\circ\text{C}$ | $R_{DS(ON,typ)}$ | 10 m Ω |
| Nominal load current | $I_{D(nom)}$ | 7.5 A |
| Minimum current limitation | $I_{D(lim)}$ | 42 A |

| Type | Package | Marking |
|----------|----------------|----------|
| BTS3256D | PG-TO-252-5-11 | BTS3256D |

Table of Contents

| | | |
|-----------|--|-----------|
| 1 | Overview | 1 |
| | Table of Contents | 3 |
| 2 | BTS3256D Block Diagram | 4 |
| 2.1 | Voltage and current naming definition | 4 |
| 3 | Pin Configuration | 5 |
| 3.1 | Pin Assignment BTS3256D | 5 |
| 3.2 | Pin Definitions and Functions | 5 |
| 4 | General Product Characteristics | 6 |
| 4.1 | Absolute Maximum Ratings | 6 |
| 4.2 | Functional Range | 7 |
| 4.3 | Thermal Resistance | 7 |
| 5 | Supply and Input Stage | 9 |
| 5.1 | Supply Circuit | 9 |
| 5.1.1 | Under Voltage Lock Out / Power On Reset | 9 |
| 5.2 | Input Circuit | 9 |
| 5.3 | Electrical Characteristics - Supply and Input Stages | 10 |
| 6 | Power Stage | 11 |
| 6.1 | Output On-state Resistance | 11 |
| 6.2 | Output Timings and Slopes | 12 |
| 6.3 | Inductive Output Clamp | 12 |
| 6.4 | Electrical Characteristics - Power Stage | 15 |
| 7 | Control and Diagnosis | 18 |
| 7.1 | Readout of Fault Information | 18 |
| 7.2 | Adjustable Slew Rate | 18 |
| 7.3 | Electrical Characteristics - Diagnostic | 19 |
| 8 | Protection Functions | 20 |
| 8.1 | Thermal Protection | 20 |
| 8.2 | Over Voltage Protection | 20 |
| 8.3 | Short Circuit Protection | 20 |
| 8.4 | Electrical Characteristics - Protection | 23 |
| 9 | Application Information | 24 |
| 9.1 | Dimensioning of serial Resistor at IN pin | 24 |
| 9.2 | Further Application Information | 25 |
| 10 | Package Outlines | 26 |
| 11 | Revision History | 27 |

BTS3256D Block Diagram

2 BTS3256D Block Diagram

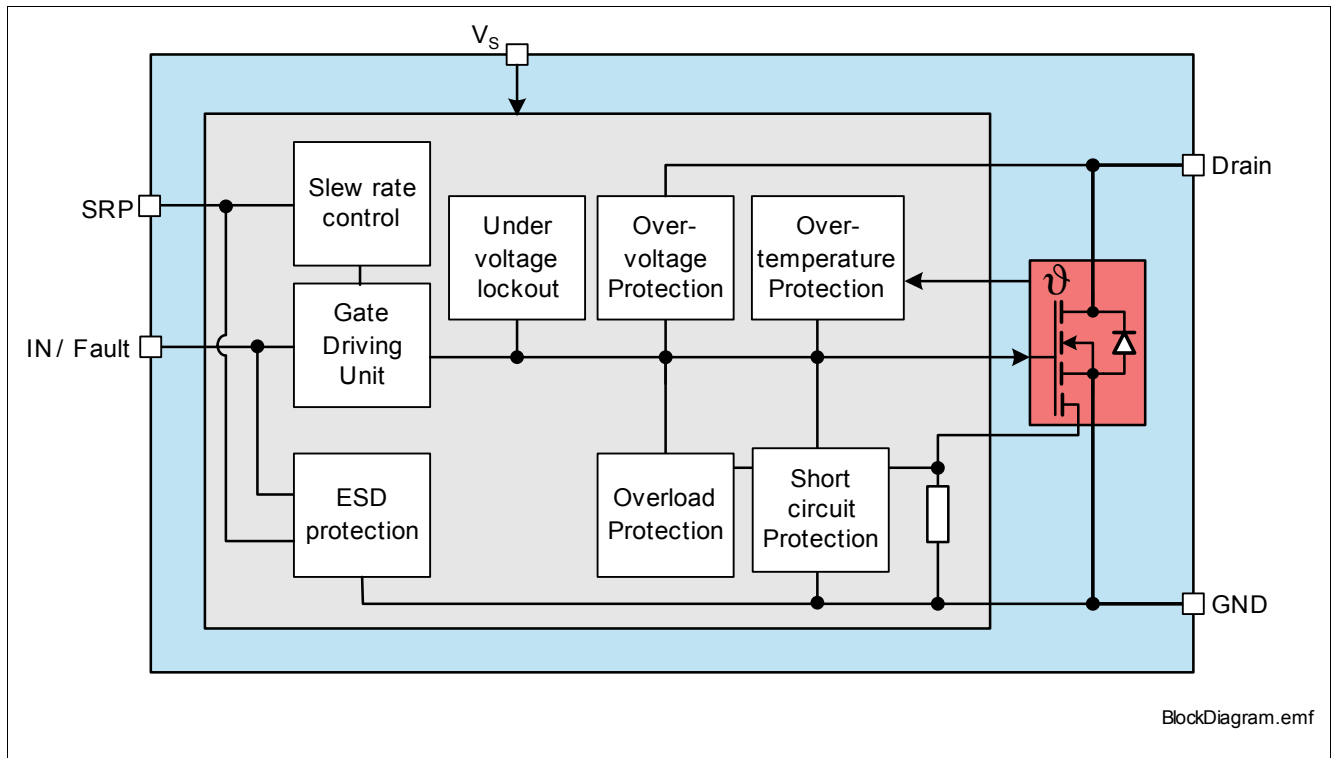


Figure 1 Block Diagram for the BTS3256D

2.1 Voltage and current naming definition

Following figure shows all the terms used in this Datasheet, with associated convention for positive values.

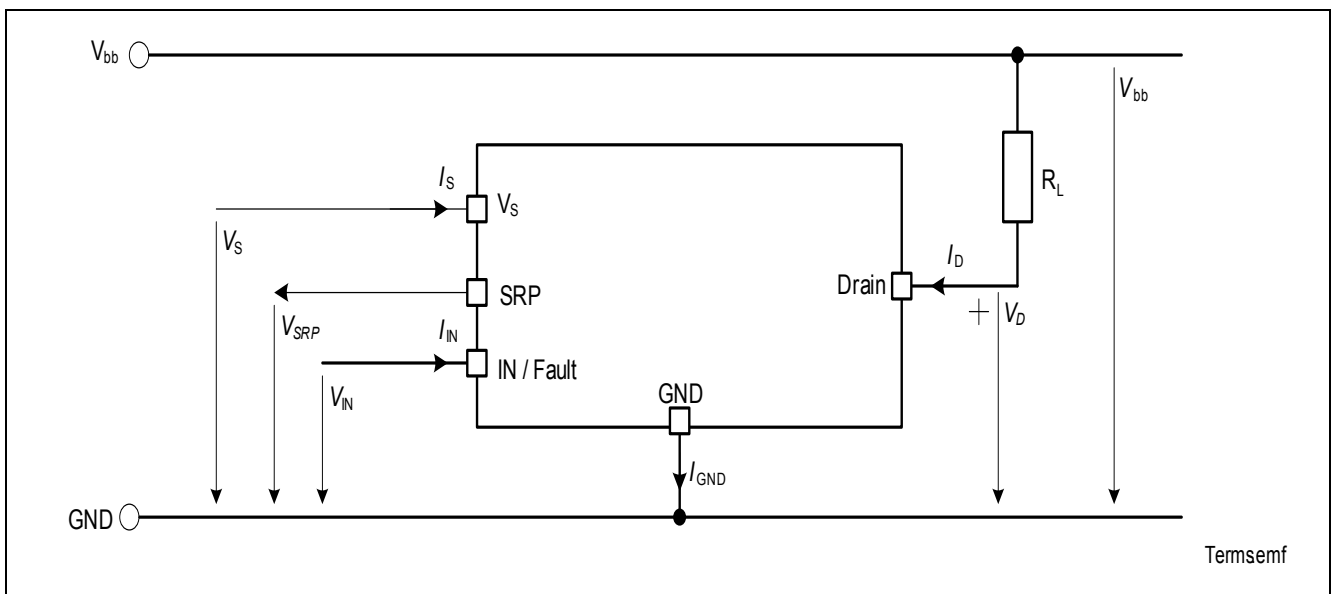


Figure 2 Terms

Pin Configuration

3 Pin Configuration

3.1 Pin Assignment BTS3256D

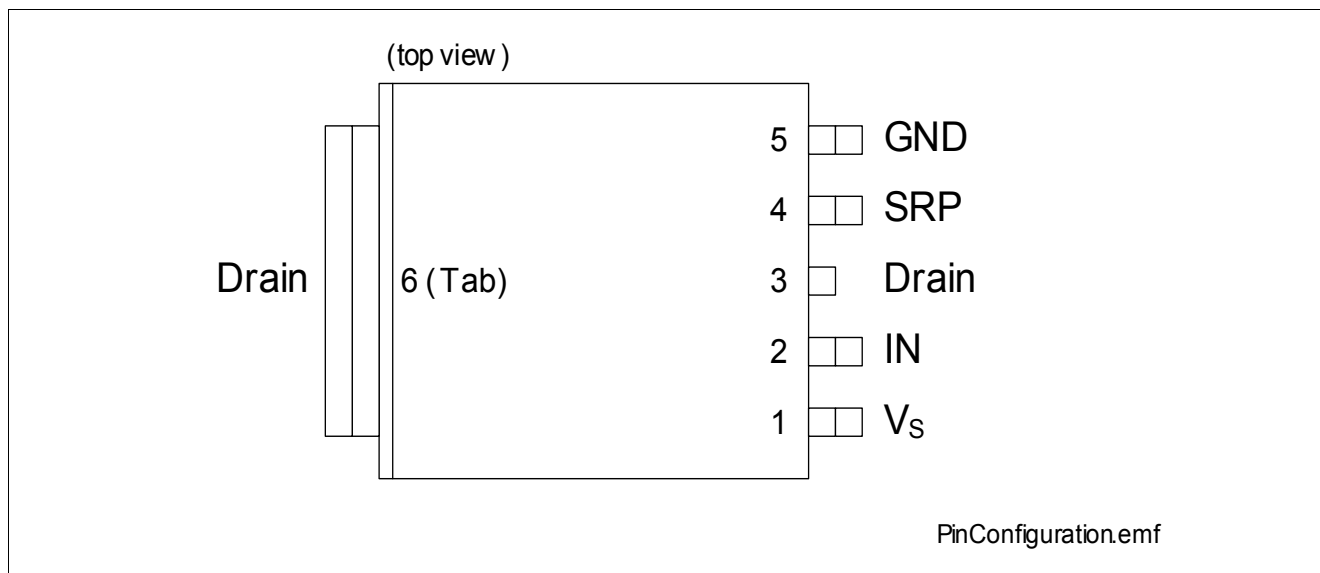


Figure 3 Pin Configuration

3.2 Pin Definitions and Functions

| Pin | Symbol | Function |
|--------|--------|---|
| 1 | V_S | Supply Voltage; Connected to Battery Voltage with Reverse protection Diode and Filter against EMC |
| 2 | IN | Control Input and Status Feedback; Digital input 3.3 V or 5 V logic. |
| 3, Tab | Drain | Drain output; Protected low side power output channel, usually connected via load to battery |
| 4 | SRP | Slew Rate Preset; Used to define slew rate, see Chapter 7.2 for details |
| 5 | GND | Ground; Power ground, pin connection needs to carry the load current from Drain |

General Product Characteristics

4 General Product Characteristics

4.1 Absolute Maximum Ratings

Table 2 Absolute Maximum Ratings¹⁾

$T_j = -40^\circ\text{C}$ to 150°C

All voltages with respect to ground, positive current flowing into pin (unless otherwise specified)

| Parameter | Symbol | Values | | | Unit | Note or Test Condition | Number |
|--|-----------------------|--------|------|------------------|------------------|---|----------|
| | | Min. | Typ. | Max. | | | |
| Voltages | | | | | | | |
| Supply voltage | V_S | -0.3 | – | 30 | V | – | P_4.1.1 |
| Supply voltage during active clamping | $V_{S(\text{pulse})}$ | -0.3 | – | 45 ²⁾ | V | – | P_4.1.2 |
| Drain voltage | V_D | -0.3 | – | 40 ³⁾ | V | – | P_4.1.3 |
| Drain voltage for short circuit protection | $V_{D(\text{SC})}$ | 0 | – | 30 | V | 4) | P_4.1.4 |
| Logic input voltage | V_{IN} | -0.3 | – | 5.5 | V | – | P_4.1.5 |
| Slew Rate Preset maximum voltages | V_{SRP} | -0.3 | – | 5.5 | V | 5) | P_4.1.6 |
| Energies | | | | | | | |
| Unclamped single pulse inductive energy | E_{AS} | 0 | – | 0.3 | J | 6) $I_D = 22 \text{ A};$ $V_{\text{bb}} = 30 \text{ V}$ | P_4.1.7 |
| Temperatures | | | | | | | |
| Junction Temperature | T_j | -40 | – | 150 | $^\circ\text{C}$ | – | P_4.1.9 |
| Storage Temperature | T_{stg} | -55 | – | 150 | $^\circ\text{C}$ | – | P_4.1.10 |
| ESD Susceptibility | | | | | | | |
| ESD Resistivity on input pins (IN,SRP,VS) | V_{ESD} | – | – | – | kV | HBM ⁷⁾ | P_4.1.11 |
| on Drain and GND pins | IN | -4 | – | 4 | kV | | |
| | OUT | -8 | – | 8 | kV | | |

1) Not subject to production test, specified by design.

2) Not for DC operation, only for short pulse (i.e. load dump) for a total of 100 h in full device life.

3) Active clamped.

4) The Device can not be switched on if $V_D > V_{D(\text{SC})}$

5) SRP Pin is driven by an internal current source, so active driving from outside is not required, it may affect lifetime and could cause parameter shifts outside the range given in datasheet

6) Refer to **Figure 13** for maximum allowed inductance values

7) ESD susceptibility, HBM according to EIA/JESD 22-A114B, section 4

Note: Stresses above the ones listed here may cause permanent damage to the device. Exposure to absolute maximum rating conditions for extended periods may affect device reliability.

1. Integrated protection functions are designed to prevent IC destruction under fault conditions described in the data sheet. Fault conditions are considered as “outside” normal operating range. Protection functions are not designed for continuous repetitive operation.

General Product Characteristics

4.2 Functional Range

Table 3 Functional Range

| Parameter | Symbol | Values | | | Unit | Note or Test Condition | Number |
|----------------------|--------|--------|------|------|------|------------------------|---------|
| | | Min. | Typ. | Max. | | | |
| Supply Voltage | V_S | 5.5 | – | 30 | V | ¹⁾ | P_4.2.1 |
| Supply current in on | I_S | – | – | 3 | mA | – | P_4.2.2 |

1) Refer to [Figure 19](#) for Short Circuit test setup

Note: Within the functional range the IC operates as described in the circuit description. The electrical characteristics are specified within the conditions given in the related electrical characteristics table.

4.3 Thermal Resistance

Table 4 Thermal Resistance

| Parameter | Symbol | Values | | | Unit | Note or Test Condition | Number |
|-----------------------------------|------------|--------|------|------|------|--|---------|
| | | Min. | Typ. | Max. | | | |
| Junction to Case ¹⁾ | R_{thjC} | – | 0.9 | 1.1 | K/W | – | P_4.3.1 |
| Junction to ambient ¹⁾ | R_{thjA} | – | 80 | – | K/W | @min. footprint | P_4.3.2 |
| | | – | 45 | – | K/W | @ 6 cm ² cooling area, see Figure 4 | |

1) Not subject to production test, specified by design

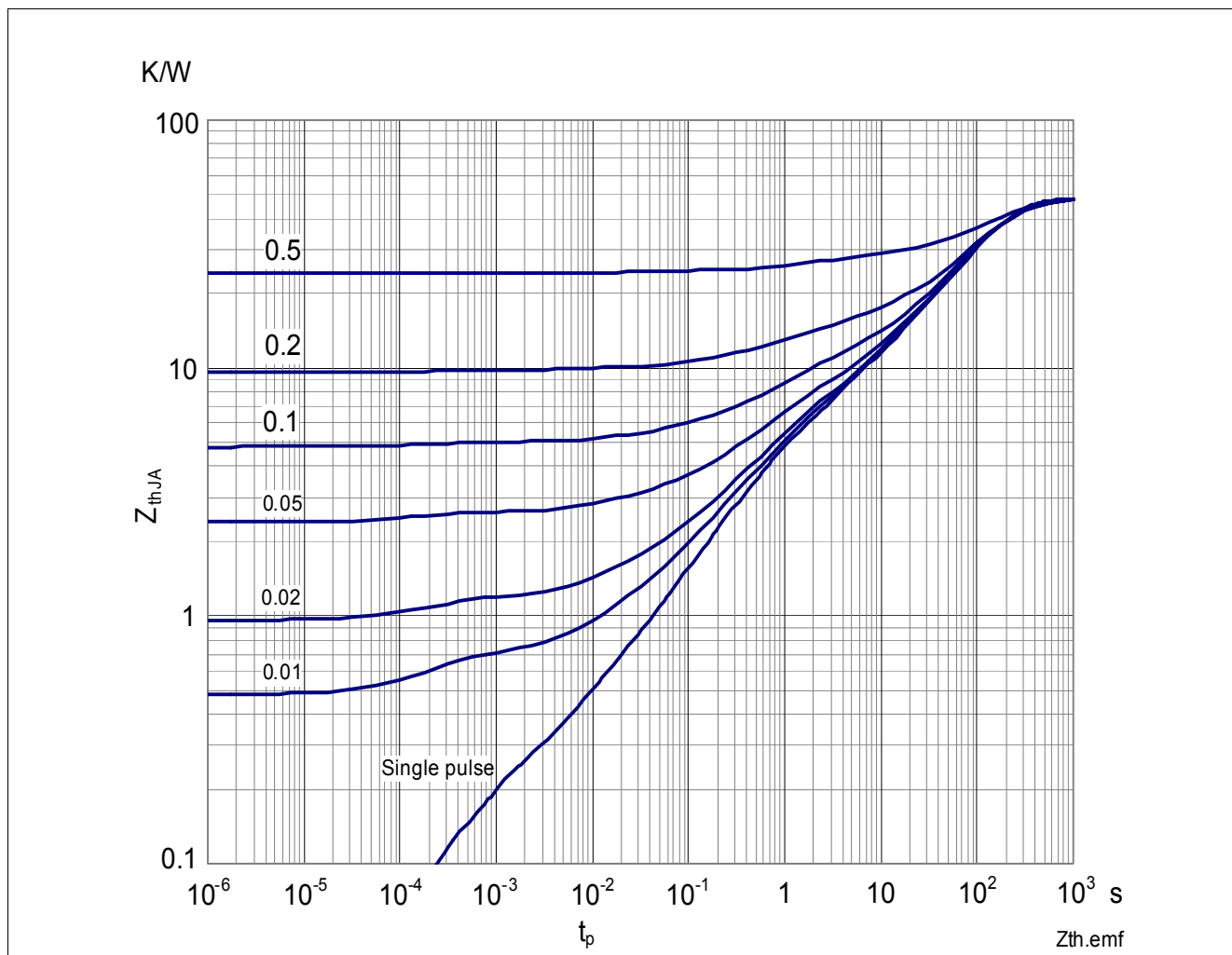


Figure 4 Typical transient thermal impedance
 $Z_{thJA} = f(t_p)$, Pulse D = t_p/T , $T_a = 25\text{ °C}$
 Device on 50 mm × 50 mm × 1.5 mm epoxy PCB FR4 with 6 cm² (one layer, 70 μm thick) copper area for drain connection. PCB mounted vertical without blown air.

5 Supply and Input Stage

5.1 Supply Circuit

The Supply pin V_S is protected against ESD pulses as shown in [Figure 5](#).

Due to an internal voltage regulator the device can be supplied from a reverse polarity protected battery line.

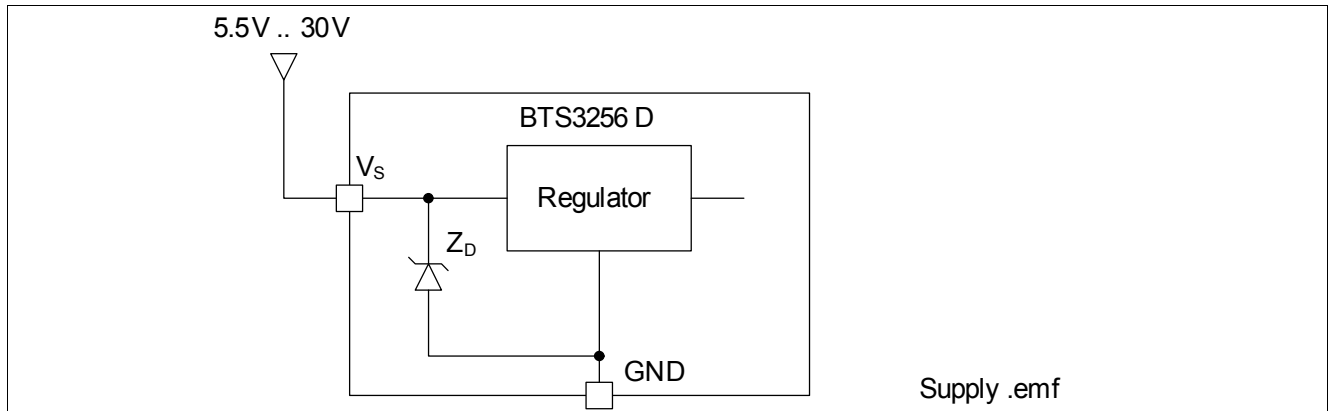


Figure 5 Supply Circuit

5.1.1 Under Voltage Lock Out / Power On Reset

In order to ensure a stable device behavior under all allowed conditions the Supply voltage V_S is monitored by the under voltage lock out circuit. All device functions are only given for supply voltages above under voltage lockout. There is no failure feedback for $V_S < V_{SUVON}$.

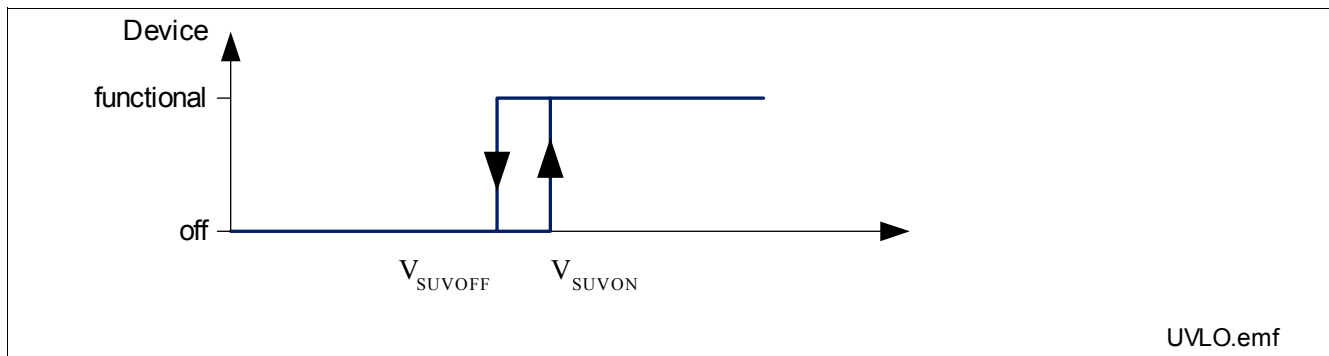


Figure 6 Under Voltage Lock Out

5.2 Input Circuit

[Figure 7](#) shows the input circuit of the BTS3256D. It's ensured that the device switches off in case of open input pin. A Zener structure protects the input circuit against ESD pulses. As the BTS3256D has a supply pin, the operation of the power MOS can be maintained regardless of the voltage on the IN pin, therefore a digital status feedback down to logic low is realized. For readout of the fault information, please refer to Diagnosis [“Readout of Fault Information” on Page 18](#).

Supply and Input Stage

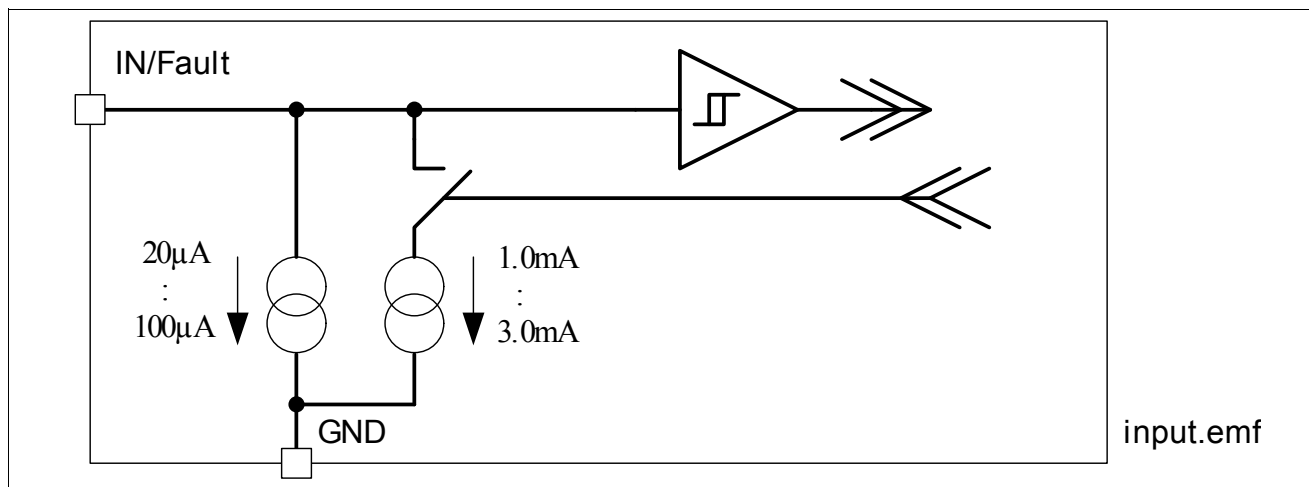


Figure 7 Input Circuit

5.3 Electrical Characteristics - Supply and Input Stages

Table 5 Electrical Characteristics - Supply and Input Stages

$V_S = 5.5\text{ V to }30\text{ V}$, $T_j = -40^\circ\text{C to }150^\circ\text{C}$

All voltages with respect to ground, positive current flowing into pin (unless otherwise specified)

| Parameter | Symbol | Values | | | Unit | Note or Test Condition | Number |
|---------------------------------------|----------------|--------|------|------|---------------|---|---------|
| | | Min. | Typ. | Max. | | | |
| Under Voltage Lockout | | | | | | | |
| UV-switch-on voltage | V_{SUVON} | - | - | 5.6 | V | - | P_5.3.1 |
| UV-switch-off voltage | V_{SUVOFF} | 4.0 | - | 5.5 | V | - | P_5.3.2 |
| UV-switch-off hysteresis | V_{SUVHY} | - | 0.2 | - | V | $V_{SUVON} - V_{SUVOFF}$ | P_5.3.3 |
| Digital Input / Fault Feedback | | | | | | | |
| Low level voltage | V_{INL} | -0.3 | - | 0.8 | V | - | P_5.3.4 |
| High level voltage | V_{INH} | 2.0 | - | 5.5 | V | - | P_5.3.5 |
| Input pull down current | I_{IN} | 20 | 50 | 100 | μA | $V_{IN} = 5.3\text{ V}$; no fault condition | P_5.3.6 |
| Input pull down current in Fault | $I_{IN-Fault}$ | 1 | 2 | 3 | mA | $V_{IN} = 5.3\text{ V}$; all fault conditions | P_5.3.7 |

6 Power Stage

The power stage is built by a N-channel vertical power MOSFET (DMOS).

6.1 Output On-state Resistance

The on-state resistance depends on the junction temperature T_J . **Figure 8** shows this dependence for the typical on-state resistance $R_{DS(on)}$.

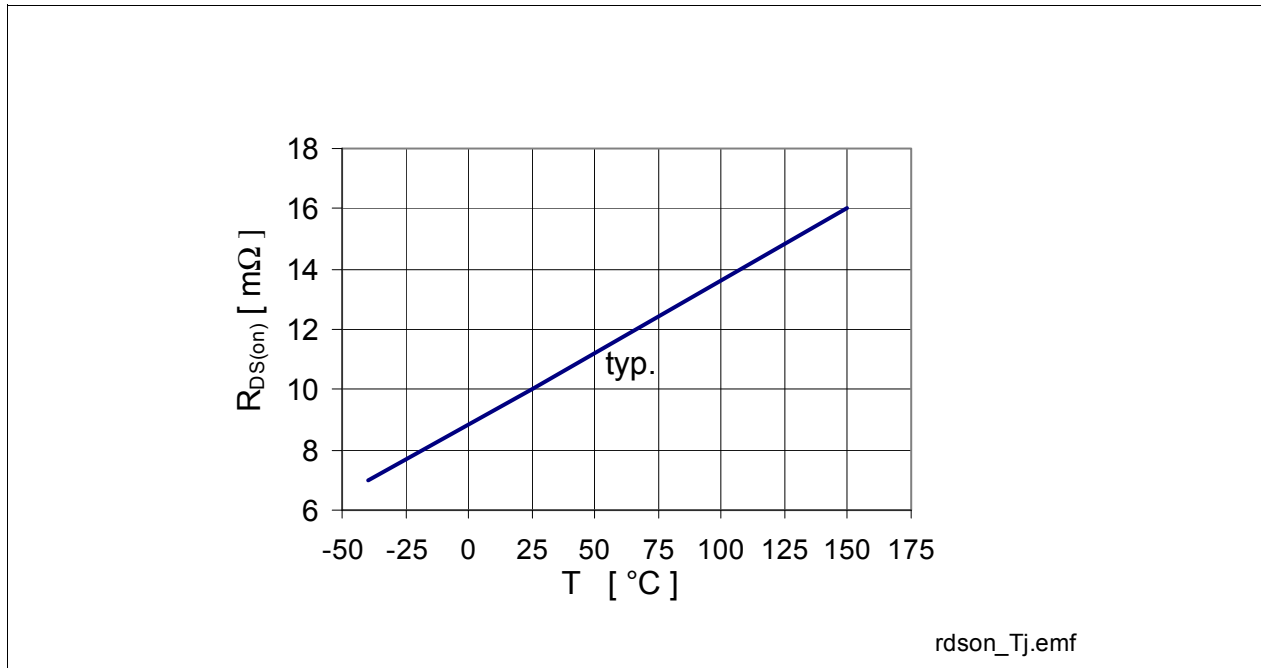


Figure 8 Typical On-State Resistance $R_{DS(on)} = f(T_J)$, $V_S = 10\text{ V}$, $V_{IN} = \text{high}$

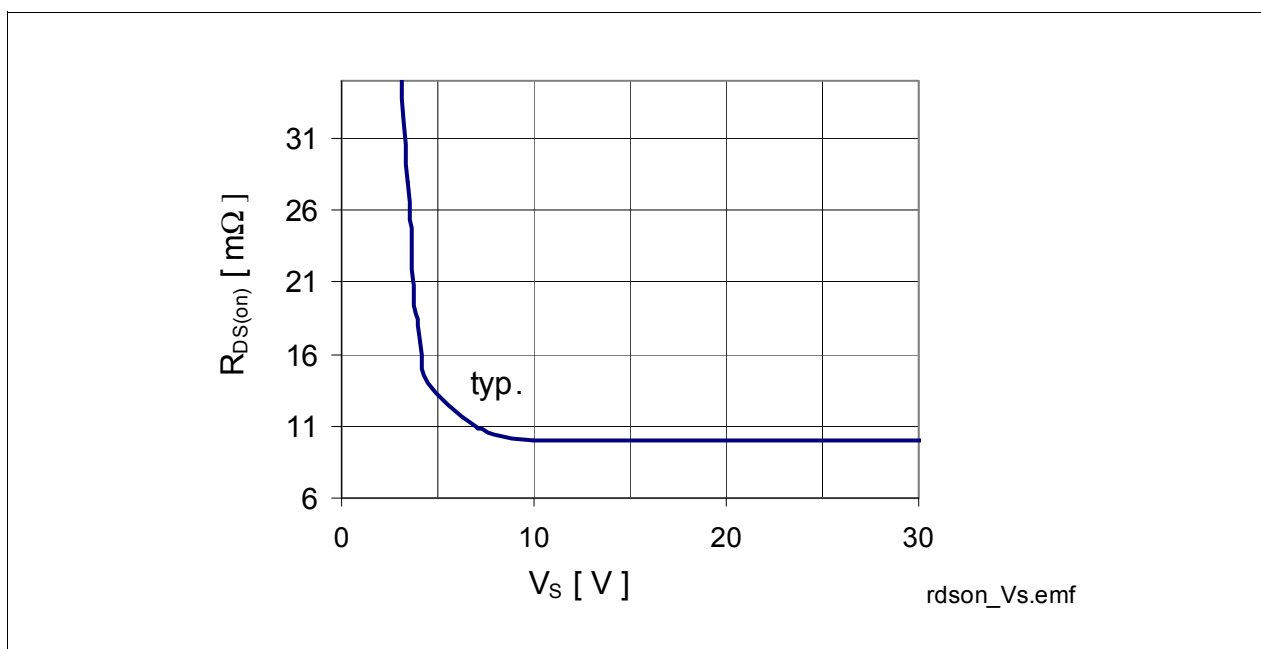


Figure 9 Typical On-State Resistance $R_{DS(on)} = f(V_S)$, $V_{IN} = \text{HIGH}$, $T_{\text{ambient}} = 25^\circ\text{C}$

Power Stage

6.2 Output Timings and Slopes

A high signal on the input pin causes the power MOSFET to switch on with a dedicated slope which is optimized for low EMC emission. **Figure 10** shows the timing definition.

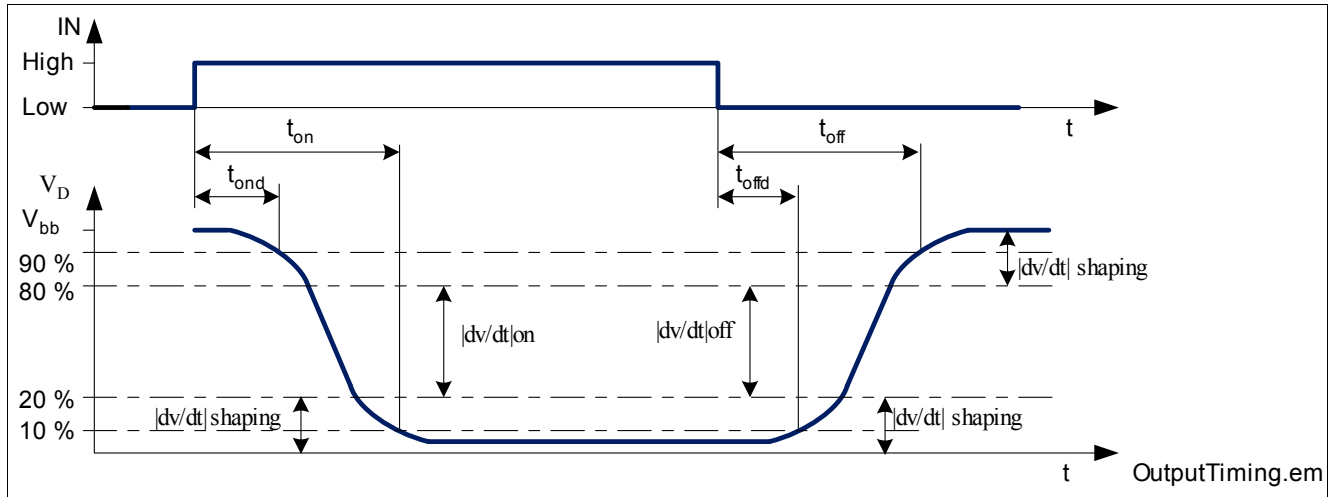


Figure 10 Definition of Power Output Timing for Resistive Load

In order to minimize the emission during switching, the BTS3256D limits the slopes during turn on and off at slow slew rate settings. For best performance of the edge shaping, the supply pin V_S should be connected to battery voltage. For supply voltages other than nominal battery, the edge shaping can differ from the Values in the electrical characteristics table below.

6.3 Inductive Output Clamp

When switching off inductive loads with low-side switches, the Drain Source voltage V_D rises above battery potential, because the inductance intends to continue driving the current.

The BTS3256D is equipped with a voltage clamp mechanism that keeps the Drain-Source voltage V_D at a certain level. See **Figure 11** for more details.

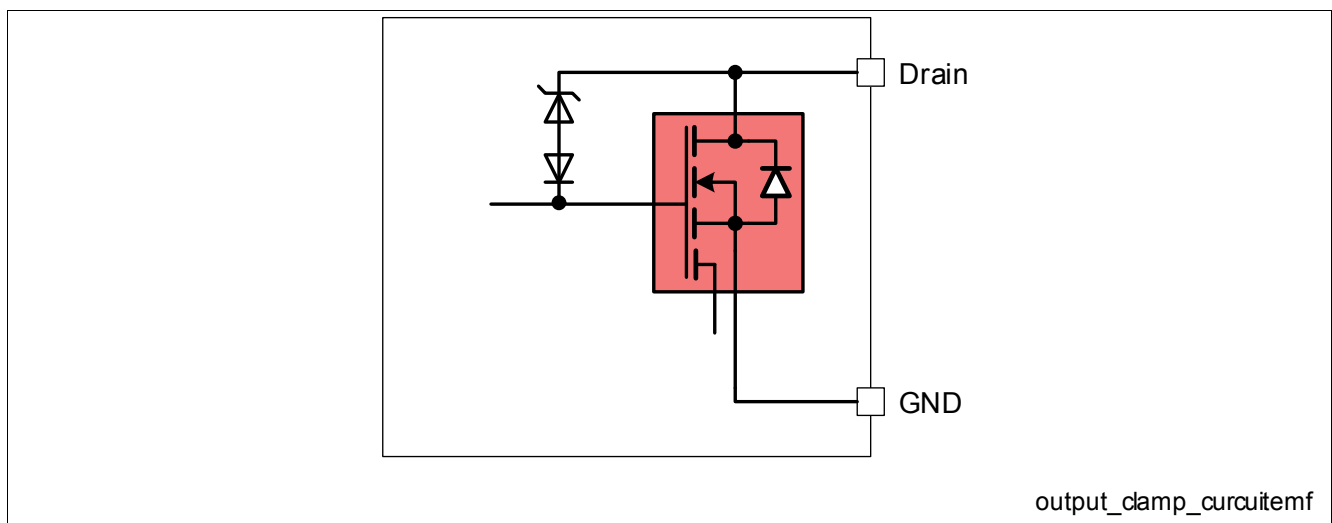


Figure 11 Output Clamp

Power Stage

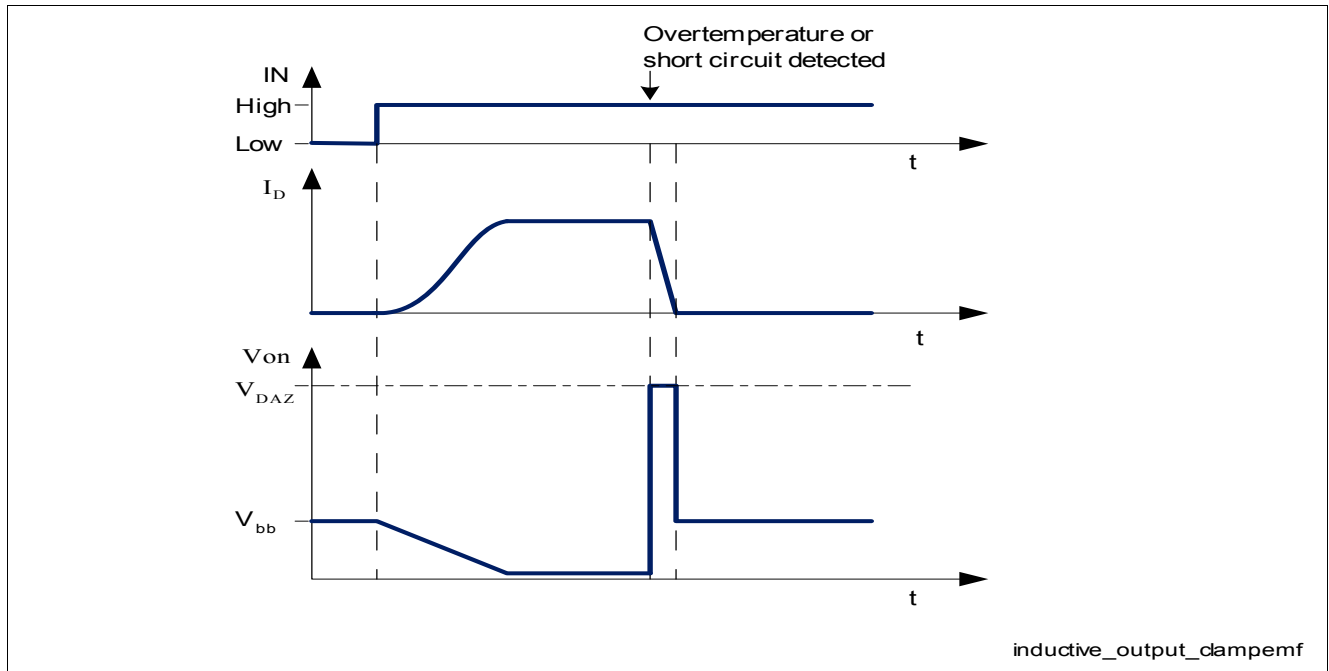


Figure 12 Switching off an inductive Load

While demagnetization of inductive loads, energy has to be dissipated in the BTS3256D. This energy can be calculated with following equation:

$$E = V_{D(AZ)} \cdot \left[\frac{V_{bb} - V_{D(AZ)}}{R_L} \cdot \ln \left(1 - \frac{R_L \cdot I_L}{V_{bb} - V_{D(AZ)}} \right) + I_L \right] \cdot \frac{L}{R_L} \quad (6.1)$$

Following equation simplifies under assumption of $R_L = 0$

$$E = \frac{1}{2} L I_L^2 \cdot \left(1 - \frac{V_{bb}}{V_{bb} - V_{D(AZ)}} \right) \quad (6.2)$$

Figure 13 shows the inductance / current combination the BTS3256D can handle.

For maximum single avalanche energy please also refer to EAS value in **“Energies” on Page 6**.

Power Stage

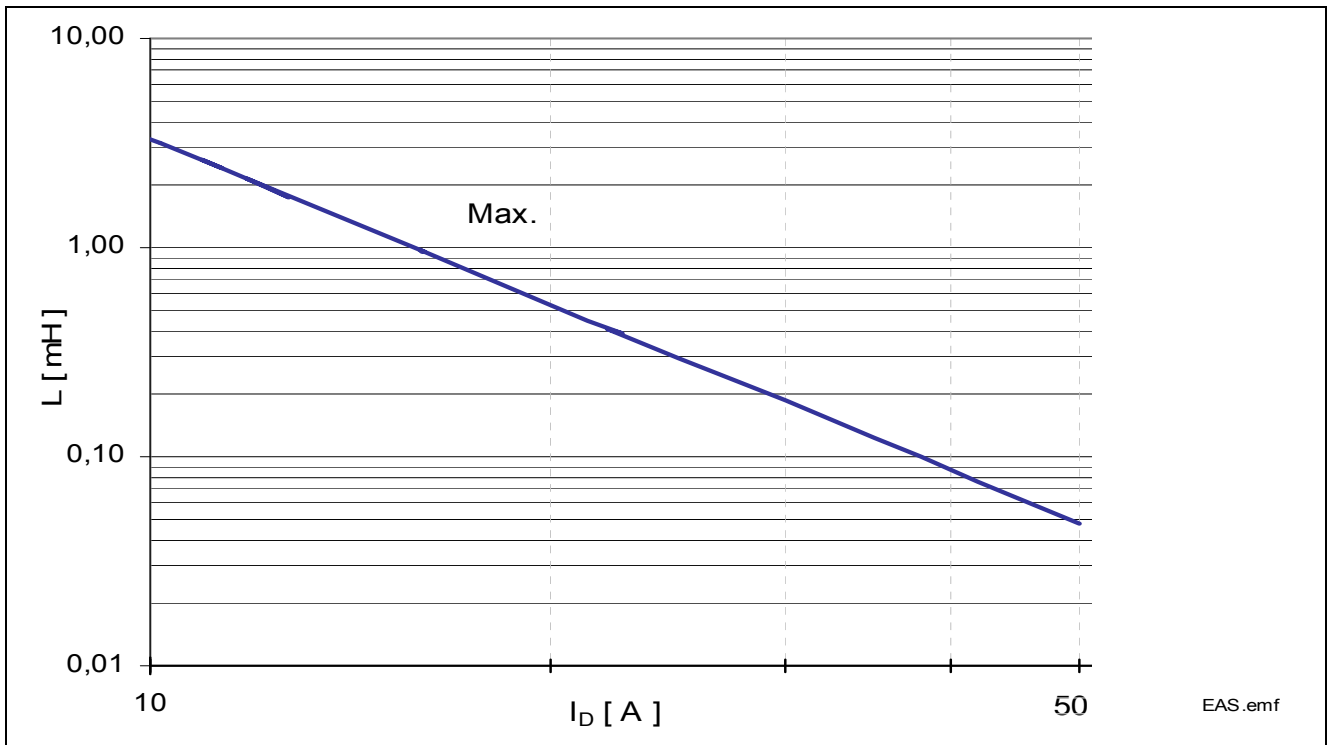


Figure 13 Maximum allowed inductance values for single switch off (EAS) $L=f(I_D)$, $T_{j,start}=150\text{ }^\circ\text{C}$, $V_{bb}=30\text{V}$, $R_L=0\text{ }\Omega$

Power Stage

6.4 Electrical Characteristics - Power Stage

Table 6 Electrical Characteristics - Power Stage

$V_S = 5.5\text{ V to }30\text{ V}$, $T_J = -40^\circ\text{C to }150^\circ\text{C}$

All voltages with respect to ground, positive current flowing into pin (unless otherwise specified)

| Parameter | Symbol | Values | | | Unit | Note or Test Condition | Number |
|---|-----------------|--------|------|------|--------------------|---|---------|
| | | Min. | Typ. | Max. | | | |
| Power Supply | | | | | | | |
| On-state resistance | $R_{DS(on)}$ | - | 10 | - | m Ω | $T_J = 25^\circ\text{C}$; $I_D = 20\text{ A}$; $V_{IN} = \text{high}$ $V_S = 10\text{ V}$ | P_6.4.1 |
| | | - | 16 | 20 | m Ω | $T_J = 150^\circ\text{C}$; $I_D = 20\text{ A}$; $V_{IN} = \text{high}$ $V_S = 10\text{ V}$ | |
| Nominal load current ¹⁾ | $I_{D(nom)}$ | 7.5 | 8.7 | - | A | $T_J < 150^\circ\text{C}$; $T_A = 85^\circ\text{C SMD}^{2)}$; $V_{IN} = \text{high}$; $V_S \geq 10\text{ V}$; $V_{DS} = 0.5\text{ V}$ | P_6.4.2 |
| ISO load current | $I_{D(ISO)}$ | 31 | 33 | - | A | $T_J < 150^\circ\text{C}$; $T_C = 85^\circ\text{C}$; $V_{IN} = \text{high}$; $V_S \geq 10\text{ V}$; $V_{DS} = 0.5\text{ V}$ | P_6.4.3 |
| Off state drain current | I_{DSS} | - | 6 | 12 | μA | $V_D = 32\text{ V}$; $V_{IN} = \text{low}$ | P_6.4.4 |
| | | - | 1 | 2 | $\mu\text{A}^{1)}$ | $T_J = 85^\circ\text{C}$; $V_D = 13.5\text{ V}$; $V_{IN} = \text{low}$ | P_6.4.5 |
| Standby supply current | I_{SSS} | - | 3 | 8 | μA | $T_J = 85^\circ\text{C}$; $V_D = 13.5\text{ V}$; $V_{IN} = \text{low}$ | P_6.4.6 |
| Dynamic Characteristics | | | | | | | |
| power up settling time | t_{init} | - | 10 | 25 | μs | $V_S > 6\text{ V}$ first rising edge on IN pin. | P_6.4.7 |
| Timings with fastest slew rate setting | | | | | | | |
| Turn-on delay | t_{ond_fast} | - | 4 | 10 | μs | $R_L = 2.2\ \Omega$; $R_{SRP} = \text{OPEN}$; $V_{bb} = V_S = 13.5\text{ V}$; see Figure 10 | P_6.4.8 |

Power Stage

Table 6 Electrical Characteristics - Power Stage (cont'd)

$V_S = 5.5\text{ V to }30\text{ V}$, $T_j = -40^\circ\text{C to }150^\circ\text{C}$

All voltages with respect to ground, positive current flowing into pin (unless otherwise specified)

| Parameter | Symbol | Values | | | Unit | Note or Test Condition | Number |
|-------------------------------|---------------------------|--------|------|------|------------------------|---|-----------|
| | | Min. | Typ. | Max. | | | |
| Turn-on time | t_{on_fast} | – | 11 | 22 | μs | $R_L = 2.2\ \Omega$; $R_{SRP} = \text{OPEN}$; $V_{bb} = V_S = 13.5\text{ V}$; see Figure 10 | P_6.4.9– |
| Turn-off delay | t_{offd_fast} | 4 | 10 | 15 | μs | $R_L = 2.2\ \Omega$; $R_{SRP} = \text{OPEN}$; $V_{bb} = V_S = 13.5\text{ V}$; see Figure 10 | P_6.4.10– |
| Turn-off time | t_{off_fast} | 9 | 16 | 24 | μs | $R_L = 2.2\ \Omega$; $R_{SRP} = \text{OPEN}$; $V_{bb} = V_S = 13.5\text{ V}$; see Figure 10 | P_6.4.11– |
| Slew rate on | $-dV_D/dt_{on_fast}$ | 1.2 | 2.2 | 3.8 | $\text{V}/\mu\text{s}$ | $R_L = 2.2\ \Omega$; $R_{SRP} = \text{OPEN}$; $V_{bb} = V_S = 13.5\text{ V}$; see Figure 10 | P_6.4.12– |
| Slew rate off | dV_D/dt_{off_fast} | 1.2 | 2.2 | 3.8 | $\text{V}/\mu\text{s}$ | $R_L = 2.2\ \Omega$; $R_{SRP} = \text{OPEN}$; $V_{bb} = V_S = 13.5\text{ V}$; see Figure 10 | P_6.4.13– |
| Slew rate during edge shaping | $ dV/dt _{shaping_fast}$ | – | 0.66 | – | $\text{V}/\mu\text{s}$ | $R_L = 2.2\ \Omega$; $R_{SRP} = \text{OPEN}$; $V_{bb} = V_S = 13.5\text{ V}$; see Figure 10 | P_6.4.14– |

Timings with slowest slew rate setting

| | | | | | | | |
|----------------|------------------|----|-----|-----|---------------|--|-----------|
| Turn-on delay | t_{ond_slow} | – | 22 | 60 | μs | $R_L = 2.2\ \Omega$; $R_{SRP} = \text{GND}$; $V_{bb} = V_S = 13.5\text{ V}$; see Figure 10 | P_6.4.15– |
| Turn-on time | t_{on_slow} | – | 85 | 200 | μs | $R_L = 2.2\ \Omega$; $R_{SRP} = \text{GND}$; $V_{bb} = V_S = 13.5\text{ V}$; see Figure 10 | P_6.4.16– |
| Turn-off delay | t_{offd_slow} | – | 75 | 110 | μs | $R_L = 2.2\ \Omega$; $R_{SRP} = \text{GND}$; $V_{bb} = V_S = 13.5\text{ V}$; see Figure 10 | P_6.4.17– |
| Turn-off time | t_{off_slow} | 40 | 150 | 220 | μs | $R_L = 2.2\ \Omega$; $R_{SRP} = \text{GND}$; $V_{bb} = V_S = 13.5\text{ V}$; see Figure 10 | P_6.4.18– |

Power Stage

Table 6 Electrical Characteristics - Power Stage (cont'd)

$V_S = 5.5 \text{ V to } 30 \text{ V}$, $T_j = -40^\circ\text{C to } 150^\circ\text{C}$

All voltages with respect to ground, positive current flowing into pin (unless otherwise specified)

| Parameter | Symbol | Values | | | Unit | Note or Test Condition | Number |
|-------------------------------|----------------------------------|--------|-------|------|------------------|--|----------|
| | | Min. | Typ. | Max. | | | |
| Slew rate on | $-dV_D/dt_{\text{on_slow}}$ | 0.08 | 0.2 | 0.6 | V/ μs | $R_L = 2.2 \Omega$; $R_{\text{SRP}} = \text{GND}$; $V_{\text{bb}} = V_S = 13.5 \text{ V}$; see Figure 10 | P_6.4.19 |
| Slew rate off | $dV_D/dt_{\text{off_slow}}$ | 0.08 | 0.2 | 0.6 | V/ μs | $R_L = 2.2 \Omega$; $R_{\text{SRP}} = \text{GND}$; $V_{\text{bb}} = V_S = 13.5 \text{ V}$; see Figure 10 | P_6.4.20 |
| Slew rate during edge shaping | $ dV/dt _{\text{shaping_slow}}$ | – | 0.088 | – | V/ μs | $R_L = 2.2 \Omega$; $R_{\text{SRP}} = \text{GND}$; $V_{\text{bb}} = V_S = 13.5 \text{ V}$; see Figure 10 | P_6.4.21 |

Inverse Diode

| | | | | | | | |
|-------------------------------|-------|------|------|------|---|---|----------|
| Inverse Diode forward voltage | V_D | -0.3 | -1.0 | -1.5 | V | $I_D = -12 \text{ A}$; $V_S = 0 \text{ V}$; $V_{\text{IN}} = 0.0 \text{ V}$ | P_6.4.22 |
|-------------------------------|-------|------|------|------|---|---|----------|

- 1) Not subject to production test, specified by Design.
- 2) Device mounted according to EIA/JESD 52_2, FR4, $50 \times 50 \times 1.5 \text{ mm}$; $35 \mu\text{m Cu}$, $5 \mu\text{m Sn}$; 6 cm^2 .
PCB mounted without blown air

7 Control and Diagnosis

The BTS3256D provides digital fault feedback on the IN pin without the need of an ADC. Additionally the device features an adjustable slew rate via the SRP pin.

7.1 Readout of Fault Information

The BTS3256D provides digital status information via an increased current on the IN / Fault pin.

The voltage on this pin is pulled down to logic low when a fitting serial resistor is used. An example for the required circuitry is shown in **Figure 14**. The increased current $I_{IN(fault)}$ is one order of magnitude above the normal operation current I_{IN} .

A 3k3 for a 3.3V μ C or 5k6 for a 5V μ C is recommended.

For detailed calculation please refer to **“Dimensioning of serial Resistor at IN pin”** on **Page 24**.

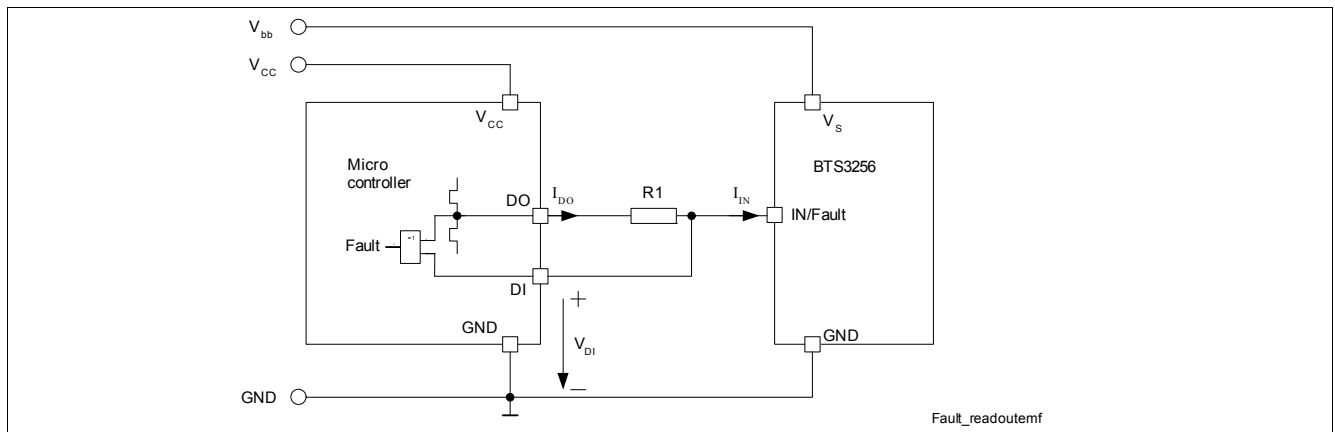


Figure 14 Readout of feedback information and XOR logic in micro

7.2 Adjustable Slew Rate

In order to optimize electromagnetic emission, the switching speed of the MOSFET can be adjusted by connecting an external resistor between SRP pin and GND. This allows for balancing between electromagnetic emissions and power dissipation. RSRP-min represents the minimum slew rate $Slew\ rate_{min}$ and RSRP-max represents the maximum slew rate $Slew\ rate_{max}$.

A short to GND causes the minimum $Slew\ rate_{min}$.

Open pin condition causes the maximum $Slew\ rate_{max}$.

Figure 15 shows the relation between the resistor value and the slew rate of BTS3256D.

Control and Diagnosis

7.3 Electrical Characteristics - Diagnostic

Table 7 Electrical Characteristics - Diagnostic

| Parameter | Symbol | Values | | | Unit | Note or Test Condition | Number |
|--------------------------|--------------------|--------|------|------|------------|--|---------|
| | | Min. | Typ. | Max. | | | |
| Slew rate control | | | | | | | |
| $Slew\ rate_{min}$ | $Slew\ rate_{min}$ | 0.08 | 0.2 | 0.6 | V/ μ s | $R_{SRP} = 0\ \Omega$ $V_S = 13.5\ V$; ohmic load | P_7.3.1 |
| $Slew\ rate_{15k}$ | $Slew\ rate_{15k}$ | 0.2 | 0.6 | - | V/ μ s | $R_{SRP} = 15\ k\Omega$ $V_S = 13.5\ V$; ohmic load | P_7.3.2 |
| $Slew\ rate_{30k}$ | $Slew\ rate_{30k}$ | 0.7 | 1.45 | - | V/ μ s | $R_{SRP} = 30\ k\Omega$ $V_S = 13.5\ V$; ohmic load | P_7.3.3 |
| $Slew\ rate_{max}$ | $Slew\ rate_{max}$ | 1.2 | 2.2 | 3.8 | V/ μ s | SRP pin open $V_S = 13.5\ V$; ohmic load | P_7.3.4 |

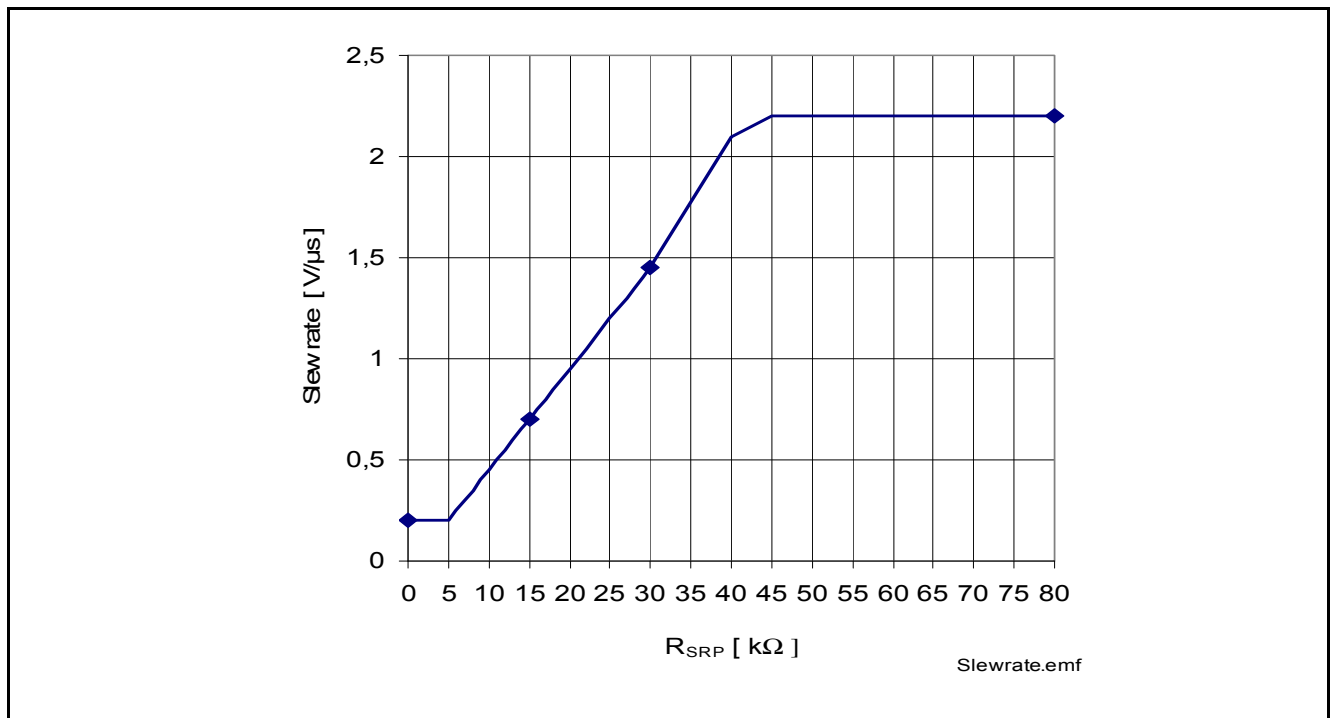


Figure 15 Typical relation between slew rate and resistor values used on R_{SRP} ($V_{bat}=13.5V$)

Protection Functions

8 Protection Functions

The device provides embedded protection functions against over temperature, over load and short circuit.

Note: Integrated protection functions are designed to prevent IC destruction under fault conditions described in the data sheet. Fault conditions are considered as “outside” normal operation.

8.1 Thermal Protection

The device is protected against over temperature resulting from overload and / or bad cooling conditions. The BTS3256D has a thermal restart function. When overheating occurs, the device switches off for the restart delay time $t_{restart}$. After this time the device restarts if the temperature is below threshold and the IN has logic high level. The fault feedback is activated during over temperature situation. See **Figure 16** for the restart behavior.

The diagram naming refers to **Figure 14**.

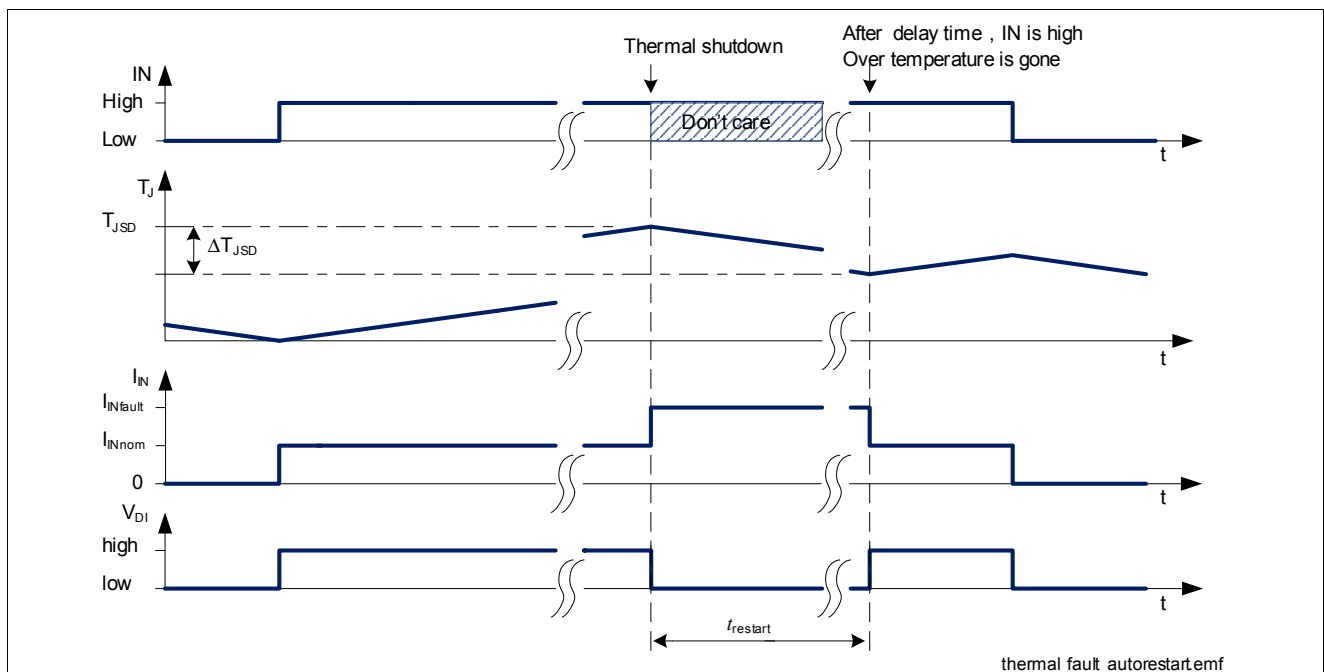


Figure 16 Status Feedback via Input Current at Over temperature

8.2 Over Voltage Protection

The BTS3256D is equipped with a voltage clamp mechanism that keeps the Drain-Source voltage V_D at a certain level. This stage is also used for inductive clamping.

See “**Inductive Output Clamp**” on **Page 12** for details.

8.3 Short Circuit Protection

The condition short circuit is an overload condition of the device.

In a short circuit condition, the resulting dI / dt is a function of the short circuit resistance. The BTS3256D incorporates 2 shut down strategies for maximum robustness in the presence of short circuits:

- immediate shut down in the case of low ohmic shorts by power detection exceeding P_{max}

Protection Functions

- over temperature shut down in the case of an overload condition

The additional feature of this device is a limitation of the load current to I_{lim} for a maximum time of t_{lim} .

If the condition is normalized in a shorter time than t_{lim} , the device stays on, if not the device switch off for $t_{restart}$ and tries to restart in case the IN pin is still high.

From first switch off the fault feedback will be activated during $t_{restart}$ and continues until the IN pin goes low or normal condition is reached.

Figure 18 shows the behavior mentioned above. In this example first a shorted load occurs which causes the device to limit the current. The device stays on, because the load current returns to normal condition before $t_{restart}$. In the second switch on, the short circuit is permanent and the device switches OFF after maximum limiting time, stays OFF for the blanking time regardless of the input pin condition and then stays OFF according to the IN pin low condition.

The definitions of voltages and currents are in respect to **Figure 14**. The behavior of V_{DI} also depends on R_{IN} .

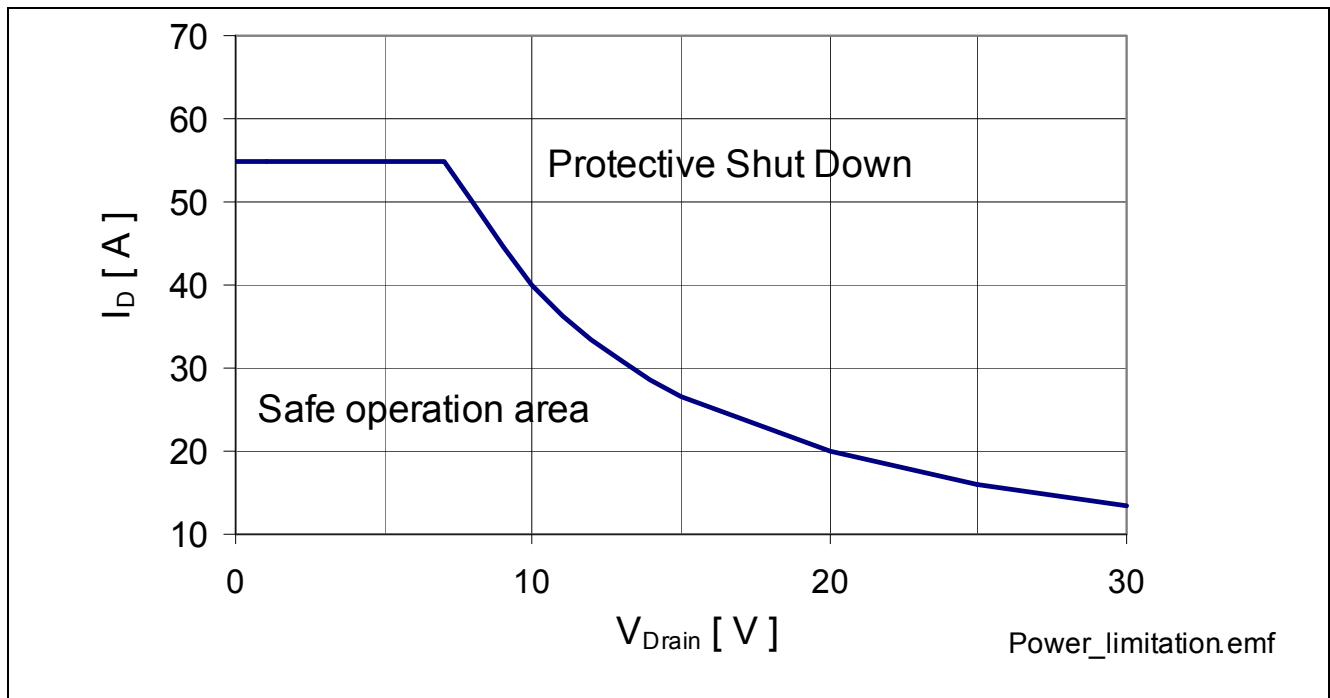


Figure 17 Typical Power limitation behavior I_{Ds} / V_{Ds}

Protection Functions

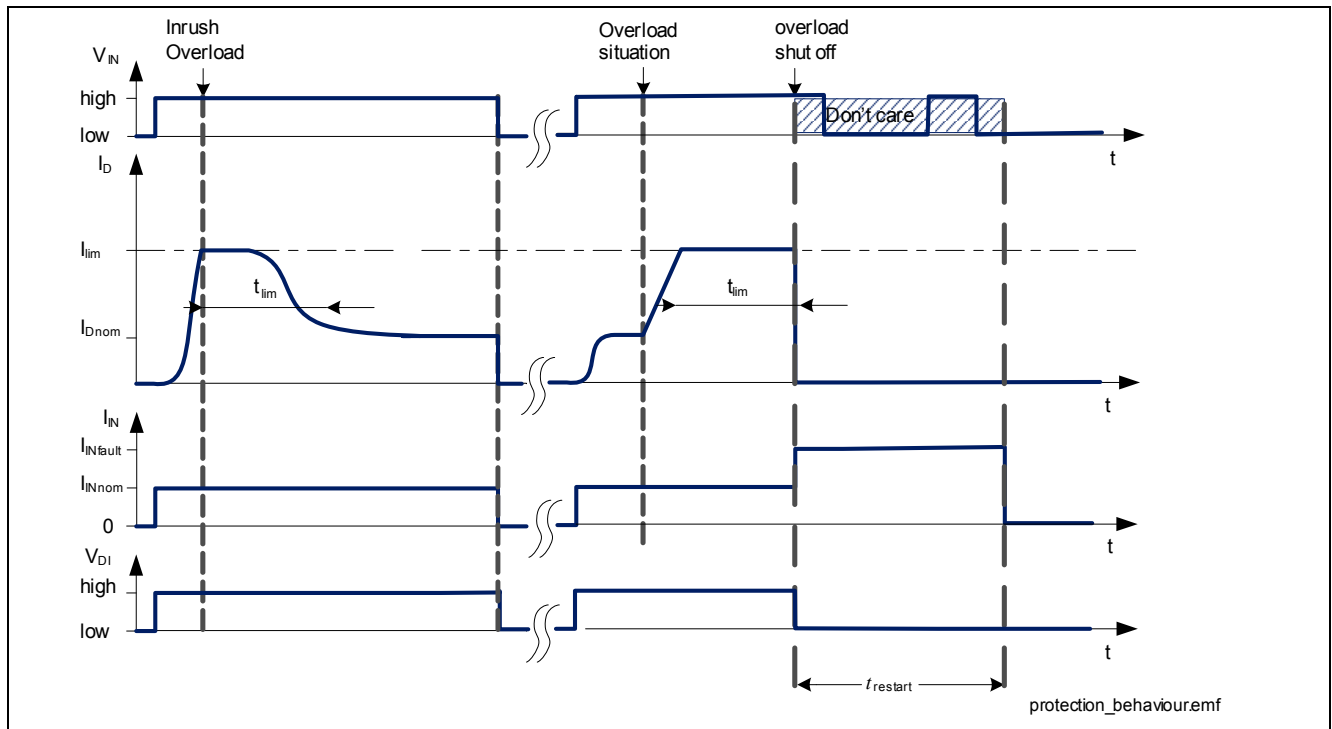


Figure 18 Short Circuit during On State, Typical Behavior for Ohmic Loads

The case when the device switches on into an existing short circuit - Short circuit type 1- is shown in [Figure 17](#). The test setup for short circuit characterization is shown in [Figure 19](#). The BTS3256D is a low side switch. Therefore it can be assumed that the micro controller and device GND connection have a low impedance. All impedance in the short circuit path is merged in the short circuit resistance R_{SC} and short circuit inductance L_{SC} .

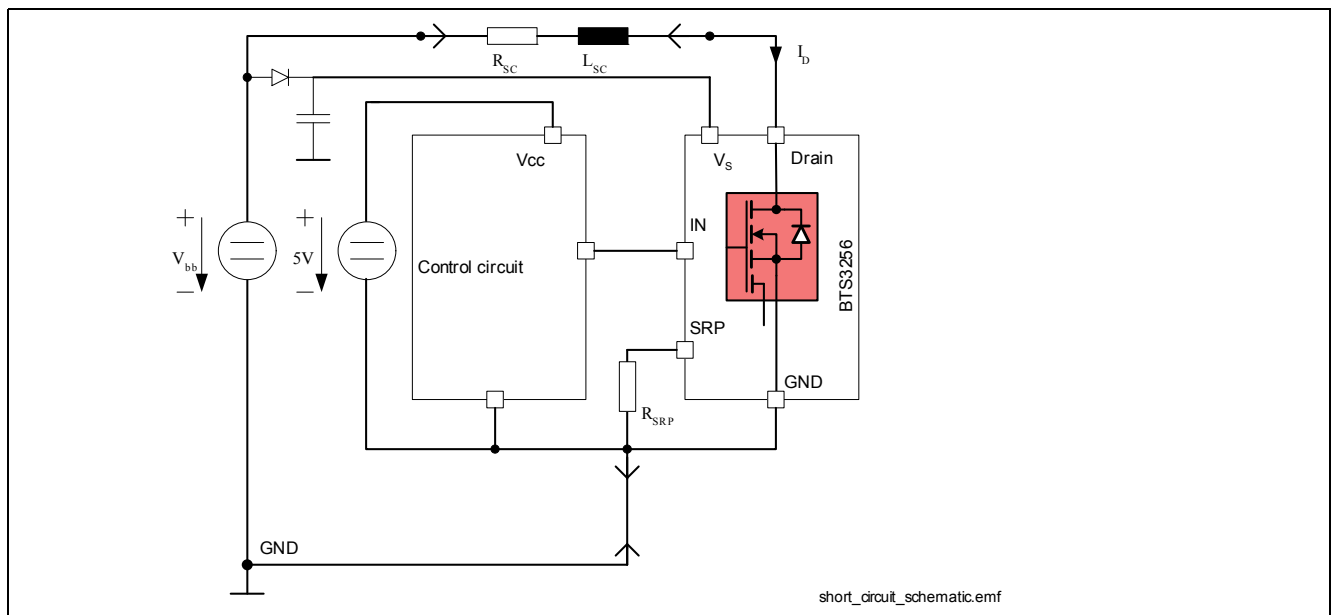


Figure 19 Test Setup for Short Circuit Characterization Test

Protection Functions

8.4 Electrical Characteristics - Protection

Table 8 Electrical Characteristics - Protection

| Parameter | Symbol | Values | | | Unit | Note or Test Condition | Number |
|---|------------------|--------|-------------------|------|------|--|---------|
| | | Min. | Typ. | Max. | | | |
| Thermal Protection | | | | | | | |
| Thermal shut down junction temperature | T_{JSD} | 150 | 175 ¹⁾ | – | °C | – | P_8.4.1 |
| Thermal hysteresis | ΔT_{JSD} | – | 10 | – | K | 1) | P_8.4.2 |
| Over Voltage Protection | | | | | | | |
| Drain source clamp voltage | $V_{D(AZ)}$ | 40 | 44 | – | V | $I_D = 10 \text{ mA};$ $V_S = 0.0 \text{ V};$ $V_{IN} = 0.0 \text{ V}$ | P_8.4.3 |
| | | – | 45 | 49 | V | $I_D = 8 \text{ A};$ $V_S = 0.0 \text{ V};$ $V_{IN} = 0.0 \text{ V}$ | |
| Short Circuit Protection | | | | | | | |
| current limitation level | $I_{D(lim)}$ | 42 | 55 | 72 | A | ohmic load | P_8.4.4 |
| max. power switch OFF threshold | P_{max} | 300 | 400 | 650 | W | – | P_8.4.5 |
| max. time before current limitation before shut OFF | t_{lim} | 3.5 | 5 | 6.5 | ms | 2) resistive load | P_8.4.6 |
| reset delay time | $t_{restart}$ | 50 | 70 | 100 | ms | – | P_8.4.7 |

1) Not subject to production test, specified by design.

2) In case of inductive loads the device needs to increase the VDS voltage during current limitation. This can trigger the over Power protection switch off earlier as t_{lim} .

Application Information

9 Application Information

Note: The following information is given as a hint for the implementation of the device only and shall not be regarded as a description or warranty of a certain functionality, condition or quality of the device.

9.1 Dimensioning of serial Resistor at IN pin

In order to use the digital feedback function of the device, there must be a serial resistor used between the IN pin and the driver (micro controller).

To calculate this serial resistor on the input pin, three device conditions and of course the driver (micro controller) abilities need to be taken into account.

Figure 20 shows the circuit used for reading out the digital status.

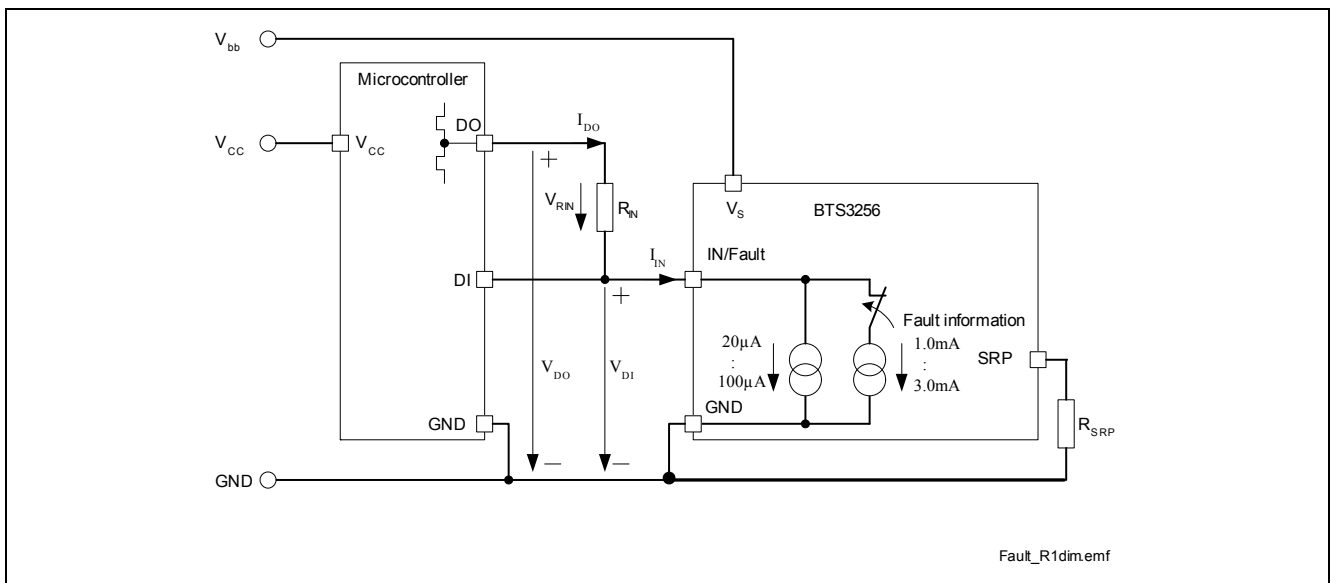


Figure 20 Circuitry to readout fault information

Note: This is a very simplified example of an application circuit. The function must be verified in the real application.

Conditions to be met by the circuitry:

During normal operation V_{IN} must be higher than $V_{INH,min}$ to switch ON.

During fault condition the max. capability of the driver (micro controller) must not be exceeded and the logic low level at DI must be ensured by a voltage drop over the serial resistor R_{IN} while the device fault current is flowing.

Conditions in formulas:

- $\mu C_{output\ current,min} > \mu C_{HIGH,max} / R_{IN} > I_{INFault_min}$
 with $\mu C_{output\ current,min}$ referring to the μC maximum output current capability
 with $\mu C_{HIGH,max}$ referring to the maximum high output voltage of the μC driving stage
 This condition is valid during normal operation mode

Application Information

- $V_{IN} = \mu C_{HIGH,min} - (R_{IN} * I_{IN,max}) > V_{INH,min}$
with $\mu C_{HIGH,min}$ referring to the minimal high output voltage of the μC driving stage
This condition is valid during normal operation mode
- $\mu C_{HIGH,max} - (R_{IN} * I_{IN-Fault,min}) < \mu C(DI)_{L,max}$
with $\mu C(DI)_{L,max}$ referring to the maximum logic low voltage of the μC input stage
The maximum current is either defined by the BTS3256D or the μC driving stage
This condition is valid during status feedback operation mode

Out of this conditions the minimum and maximum resistor values can be calculated.

For a typical 5V micro controller with output current capability in the 3 mA range, a resistor range from 7.5 k Ω down to 4.5 k Ω can be used.

For a typical 3.3V micro controller a range from 4.6 k Ω to 2.5 k Ω is suitable.

9.2 Further Application Information

- For further information you may contact <http://www.infineon.com/hitfet>

10 Package Outlines

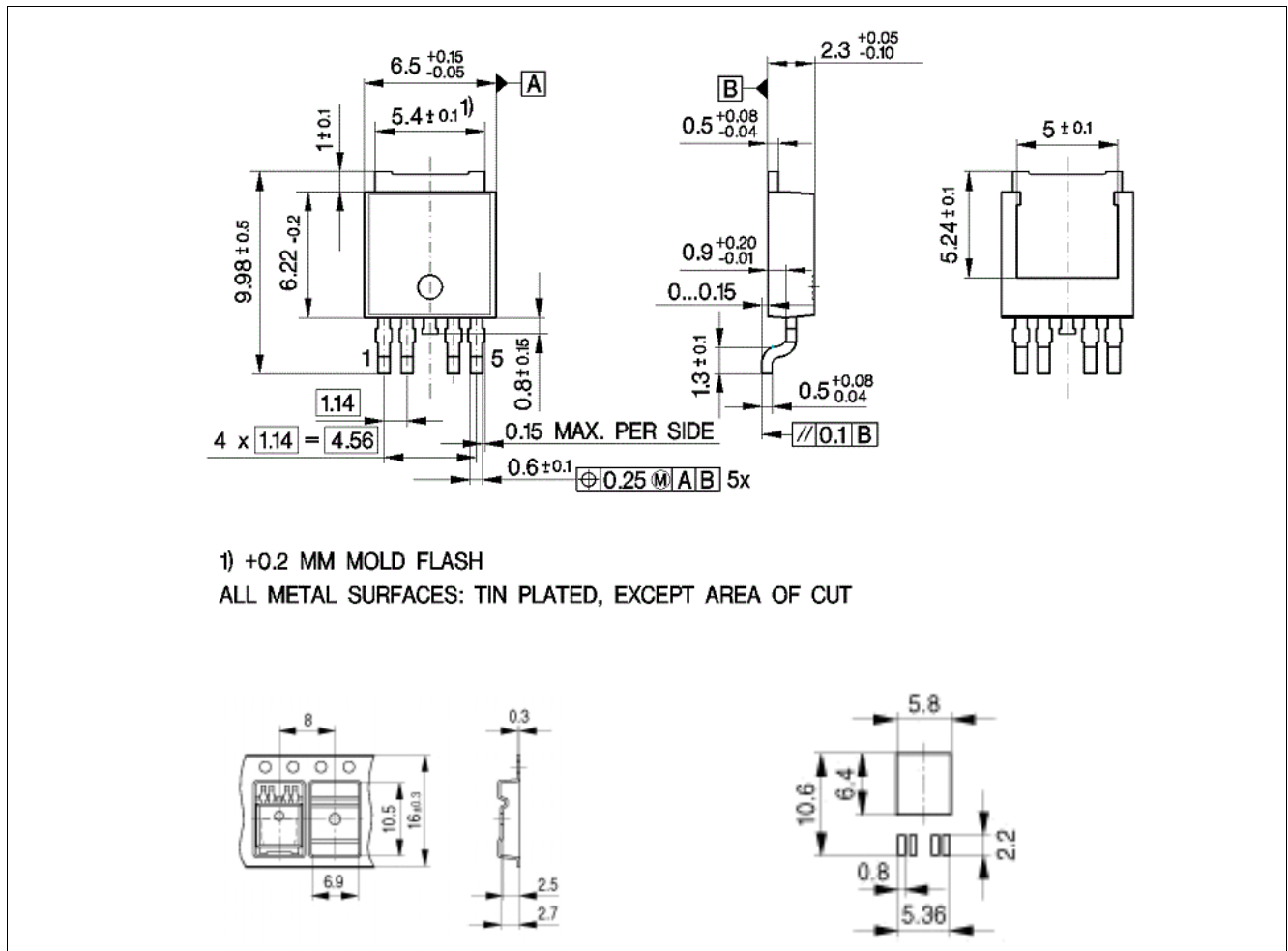


Figure 21 PG-TO-252-5-11

Green Product (RoHS compliant)

To meet the world-wide customer requirements for environmentally friendly products and to be compliant with government regulations the device is available as a green product. Green products are RoHS-Compliant (i.e Pb-free finish on leads and suitable for Pb-free soldering according to IPC/JEDEC J-STD-020).

Revision History

11 Revision History

| Version | Date | Changes |
|----------------|-------------|--|
| Rev. 1.1 | 2017-07-27 | 4.1.7 Footnote added “refer to Fig. 13” 4.2.1 Footnote added “refer to Fig. 19” 6.4.6 Standby supply current parameter added Figure 21. Package outline updated |
| Rev. 1.0 | 2009-05-05 | released Datasheet |

Trademarks

All referenced product or service names and trademarks are the property of their respective owners.

Edition 2018-01-29

Published by

Infineon Technologies AG

81726 Munich, Germany

© 2018 Infineon Technologies AG.

All Rights Reserved.

Do you have a question about any aspect of this document?

Email: erratum@infineon.com

Document reference

Doc_Number

IMPORTANT NOTICE

The information given in this document shall in no event be regarded as a guarantee of conditions or characteristics ("Beschaffheitsgarantie").

With respect to any examples, hints or any typical values stated herein and/or any information regarding the application of the product, Infineon Technologies hereby disclaims any and all warranties and liabilities of any kind, including without limitation warranties of non-infringement of intellectual property rights of any third party.

In addition, any information given in this document is subject to customer's compliance with its obligations stated in this document and any applicable legal requirements, norms and standards concerning customer's products and any use of the product of Infineon Technologies in customer's applications.

The data contained in this document is exclusively intended for technically trained staff. It is the responsibility of customer's technical departments to evaluate the suitability of the product for the intended application and the completeness of the product information given in this document with respect to such application.

For further information on technology, delivery terms and conditions and prices, please contact the nearest Infineon Technologies Office (www.infineon.com).

WARNINGS

Due to technical requirements products may contain dangerous substances. For information on the types in question please contact your nearest Infineon Technologies office.

Except as otherwise explicitly approved by Infineon Technologies in a written document signed by authorized representatives of Infineon Technologies, Infineon Technologies' products may not be used in any applications where a failure of the product or any consequences of the use thereof can reasonably be expected to result in personal injury.