

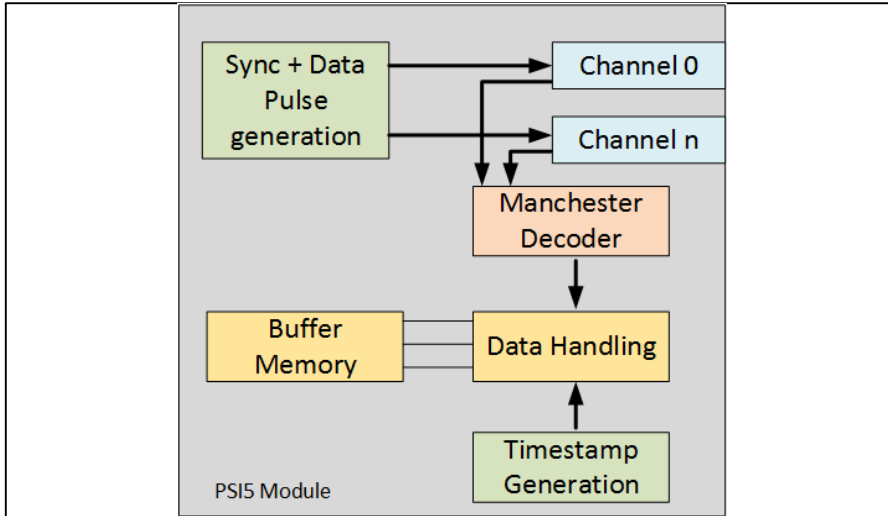
# PSI5

## Peripheral Sensor Interface

AURIX™ Microcontroller Training  
V1.0 2019-03



# PSI5 Peripheral Sensor Interface



## Highlights

The Peripheral Sensor Interface is an interface for automotive sensor applications.

PSI5 module is conformant with PSI5 protocol specification V1.3.

Data rates of 125 kbit/s and 189 kbit/s are supported.

## Key Features

Up to 4 independent parallel PSI5 channels

Manchester protocol decoder

Error detection and handling

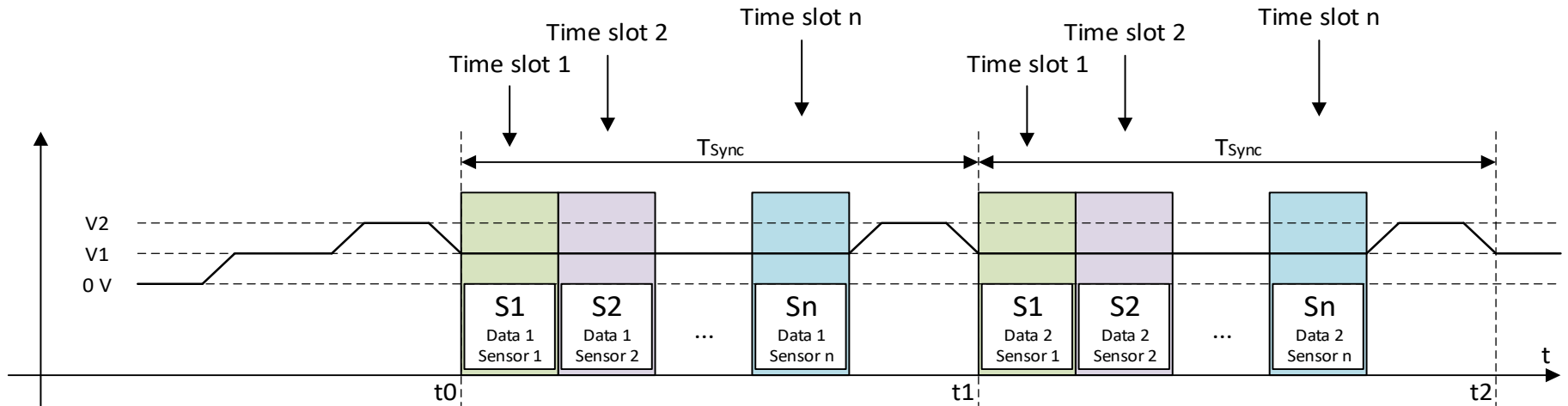
## Customer Benefits

Allows greater bus topology flexibility; applicable to variety of use cases

Simplifies implementation while the message recovery is done in HW

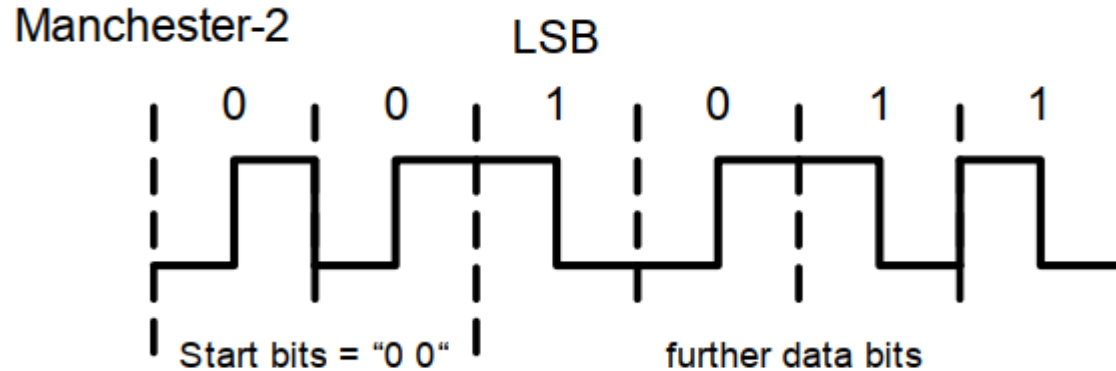
Reduces software overhead while the errors will be detected by the module itself

# Up to 4 independent parallel PSI5 channels



- › Each channel supports 6 sensor slots
- › Allows for a greater flexibility from a bus topology point of view
- › PSI5-A (asynchronous), PSI5-P (synchronous parallel), PSI5-U (synchronous universal), PSI5-D (synchronous daisy chain) bus topologies supported
- › Each channel consists of two pins (PSI5TX and PSI5RX)
- › PSI5TX is used in synchronous transmission mode for sync pulse that will trigger a data frame for data acquisition from a sensor
- › PSI5RX carries Manchester coded messages from a sensor back to the ECU
- › Storage of up to 32 frames per channel with 24 bit timestamp (resolution: 1  $\mu$ s)

# Manchester protocol decoder



- › Allows for a message recovery from a sensor without any CPU or software intervention
- › Simplifies design between AURIX and PHY while only one pin is sufficient for message recovery
- › Manchester-2 (convention as per G.E. Thomas) is used by PSI5 module
- › The Manchester decoder uses a nominal 4 MHz / 6.048 MHz (depending which PSI5 data rate is selected) → 32 samples per bit

## Error detection and handling

---

- › Error recognition in Manchester code capabilities:
  - Manchester coding error in start bits
  - Messaging bits with Manchester coding error
  - Manchester coding error but messaging bits OK
- › Error detection for the Sensor to ECU messages is realized in one of the two possible ways:
  - Single bit even parity (recommended for 10 or less bits)
  - Three bit CRC (recommended for long data words)
    - The applied generator polynomial of the CRC is  $g(x) = x^3 + x + 1$  with a binary initial value (seed) of “111”
- › Error detection capabilities regarding to parity/CRC:
  - Checksum error (wrong parity/CRC)
  - CRC error during serial communication

# PSI5

## System integration

PSI5 module is connected to several external modules:

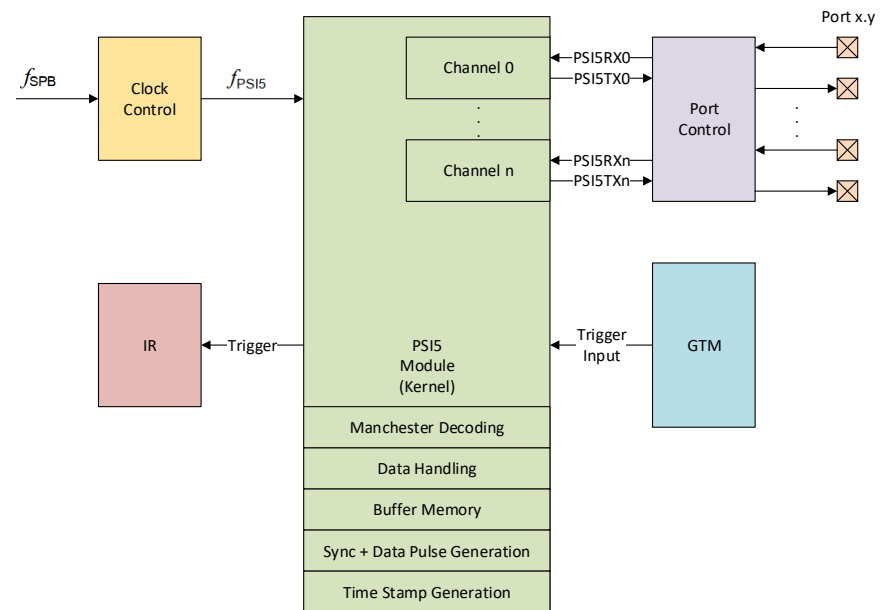
- › Clock Control: Generates all the necessary clocks for the PSI5 module

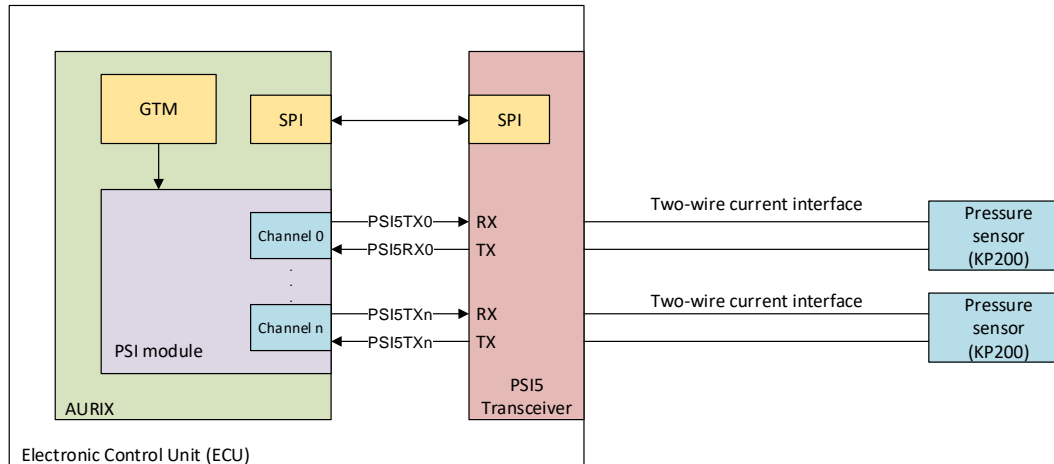
- $f_{PSI5}$  : clocking of control logic and registers
- $f_{fracdiv}$  : bit rate generation of serial channels
- $f_{125}$  : standard bit rate frequency (125 kHz)
- $f_{189}$  : standard bit rate frequency (189 kHz)
- $f_{TS}$  : standard bit rate frequency (189 kHz)
- : clocking of the central timestamp counter

- › Interrupt Router: Schedules service requests coming from 8 interrupt sources available for the PSI5 module

- › Port Control: Connects the PSI5TX and PSI5RX pins to the external GPIO pins

- › GTM: Enables timestamp generation





### Overview

- > This application example shows typical usage of PSI5 module in airbag systems
- > PSI5 module is connect to the external PSI5 transceiver module (PHY) whose role is to fulfil physical layer requirement that cannot be achieved with MCU alone

### Advantages

- > The sensors are connected to the ECU by just two wires, using same lines for power supply and data transmission
- > This allows high reliability data transfer at lowest possible implementation overhead and cost

## Trademarks

All referenced product or service names and trademarks are the property of their respective owners.

**Edition 2019-03**

**Published by**

**Infineon Technologies AG  
81726 Munich, Germany**

**© 2019 Infineon Technologies AG.  
All Rights Reserved.**

**Do you have a question about this document?**

**Email: [erratum@infineon.com](mailto:erratum@infineon.com)**

**Document reference**

**AURIX\_Training\_1\_  
Peripheral\_Sensor\_Interface**

## IMPORTANT NOTICE

The information given in this document shall in no event be regarded as a guarantee of conditions or characteristics (“Beschaffenheitsgarantie”).

With respect to any examples, hints or any typical values stated herein and/or any information regarding the application of the product, Infineon Technologies hereby disclaims any and all warranties and liabilities of any kind, including without limitation warranties of non-infringement of intellectual property rights of any third party.

In addition, any information given in this document is subject to customer’s compliance with its obligations stated in this document and any applicable legal requirements, norms and standards concerning customer’s products and any use of the product of Infineon Technologies in customer’s applications.

The data contained in this document is exclusively intended for technically trained staff. It is the responsibility of customer’s technical departments to evaluate the suitability of the product for the intended application and the completeness of the product information given in this document with respect to such application.

For further information on the product, technology, delivery terms and conditions and prices please contact your nearest Infineon Technologies office ([www.infineon.com](http://www.infineon.com)).

## WARNINGS

Due to technical requirements products may contain dangerous substances. For information on the types in question please contact your nearest Infineon Technologies office.

Except as otherwise explicitly approved by Infineon Technologies in a written document signed by authorized representatives of Infineon Technologies, Infineon Technologies’ products may not be used in any applications where a failure of the product or any consequences of the use thereof can reasonably be expected to result in personal injury.