

ERU_Interrupt_1 for KIT_AURIX_TC397_TFT

External interrupt generation

AURIX™ TC3xx Microcontroller Training
V1.0.1



[Please read the Important Notice and Warnings at the end of this document](#)

Scope of work

The ERU is used to generate an interrupt on each rising and falling edge at an input pin.

The code example uses the External Request Unit (ERU) to generate an interrupt for each falling and rising edge at the input pin P02.0. The falling and rising edges are generated with pin P02.1. If an interrupt occurs, an LED will be toggled.

Introduction

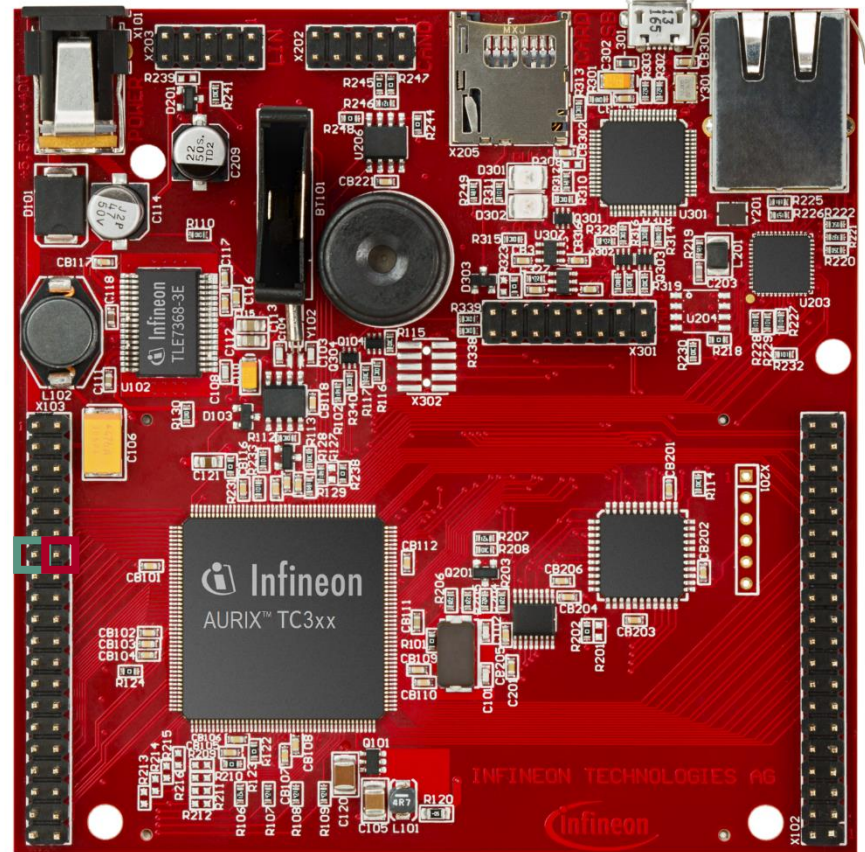
- › The External Request Unit (ERU) is a versatile event and pattern detection unit.
- › Its main task is the **generation of interrupts based on selectable trigger events at different inputs**, e.g. to generate external interrupt requests if an edge occurs at an input pin.
- › The detected events can also be used by other modules to trigger or to gate module specific actions.

Hardware setup

This code example has been developed for the board KIT_A2G_TC397_5V_TFT.

The two pins P02.0 and P02.1 have to be connected to each other.

		X103			
VCC_IN	1	2	V_UC		
GND	3	4	GND		
P21.2	5	6	P21.3		
P14.8	7	8	P14.7		
P14.6	9	10	P20.0		
P21.4	11	12	P21.5		
P02.0	13	14	P02.1	Output	
P02.2	15	16	P02.3		
P02.4	17	18	P02.5		
P02.6	19	20	P02.7		
P02.8	21	22	P00.0		
P00.1	23	24	P00.2		
P00.3	25	26	P00.4		
P00.5	27	28	P00.6		
P00.7	29	30	P00.8		
P00.9	31	32	P00.10		
P00.11	33	34	P00.12		
AN19	35	36	AN18		
AN17	37	38	AN16		
AN25	39	40	AN24		



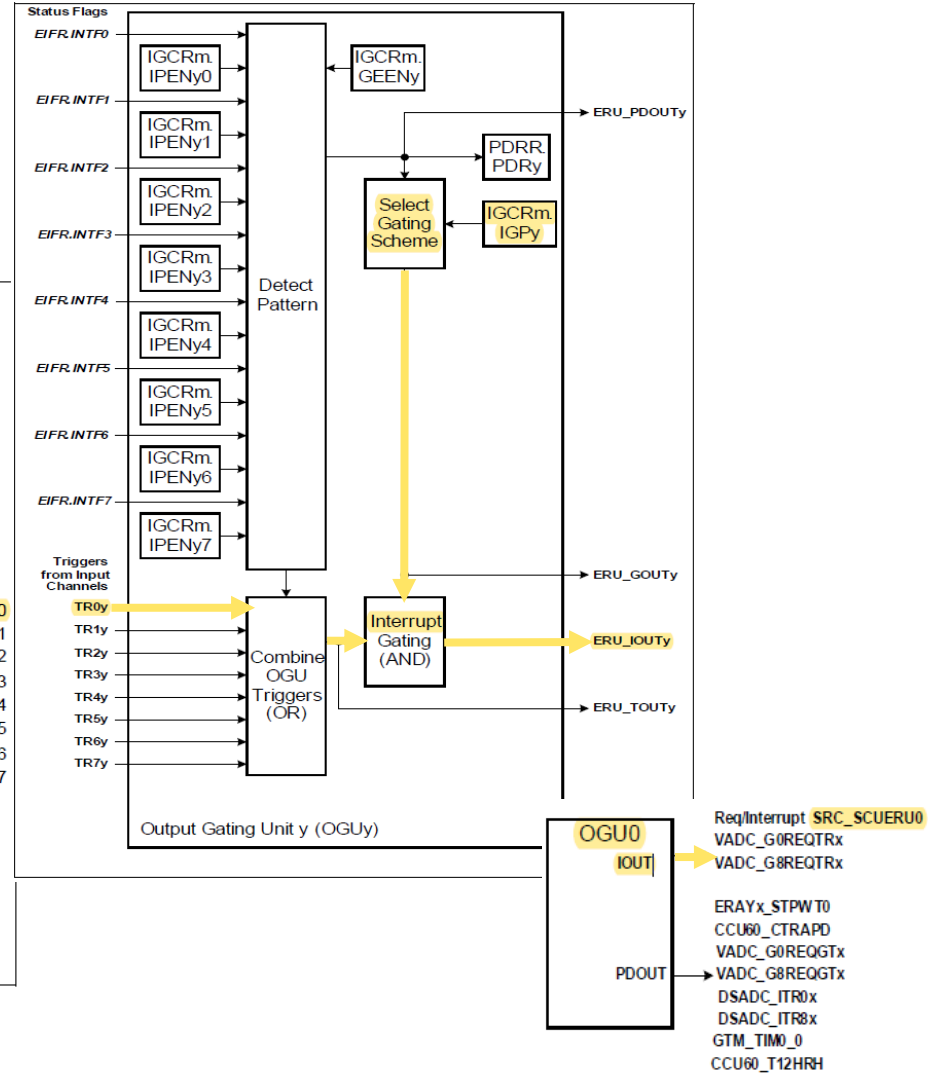
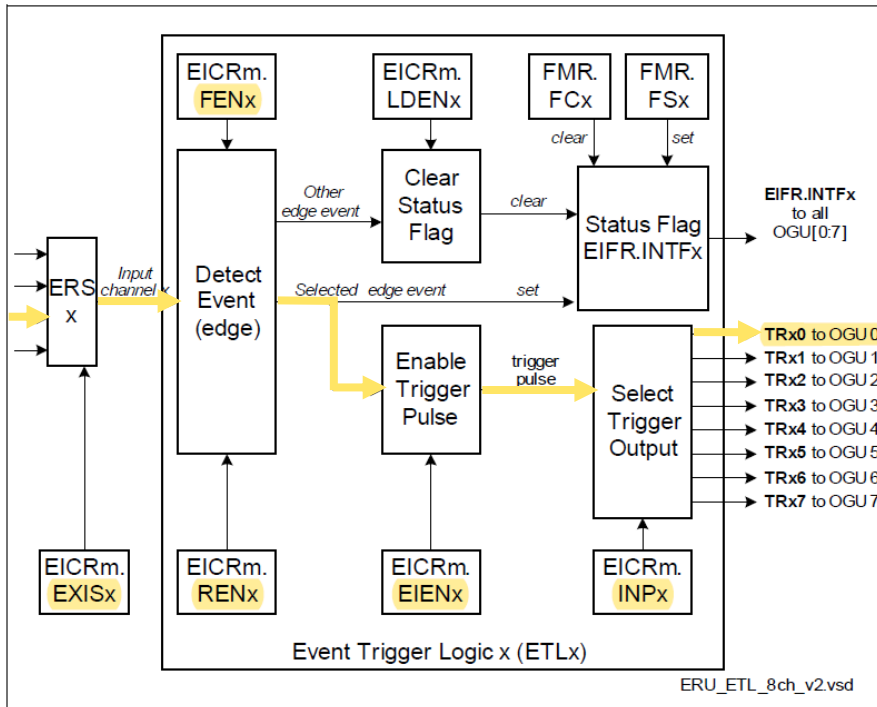
Implementation

- › To generate an interrupt via falling and rising edges on an input pin, a few configuration steps are required:
 - Initialize external request pin (***IfxScuEru_initReqPin()***)
 - Select which edge should trigger the interrupt (***IfxScuEru_enableRisingEdgeDetection()*** and/or ***IfxScuEru_enableFallingEdgeDetection()***)
 - Enable generation of trigger events with the function ***IfxScuEru_enableTriggerPulse()***
 - Choose the output channel by selecting the Output Gating Unit (OGUz) and the trigger pulse output (TRxz)
 - An event from the Event Trigger Logic (ETL0) triggers the OGU0 (signal TRx0). The function ***IfxScuEru_connectTrigger()*** determines the output channel for the trigger event
 - Select the condition to generate an interrupt with the function ***IfxScuEru_setInterruptGatingPattern()***
 - Configure and enable the service request with the functions ***IfxSrc_init()*** and ***IfxSrc_enable()***

- › The functions above are provided by the iLLD headers ***IfxScuEru.h*** and ***IfxSrc.h***.

Implementation

- The below figures from the AURIX™ TC39x B-Step User's Manual illustrate the configuration steps that were followed in this example.



Implementation

The Interrupt Service Routine (ISR)

Blinking an LED is implemented inside an **ISR** triggered by the ERU which generates **interrupt requests** according to its configuration.

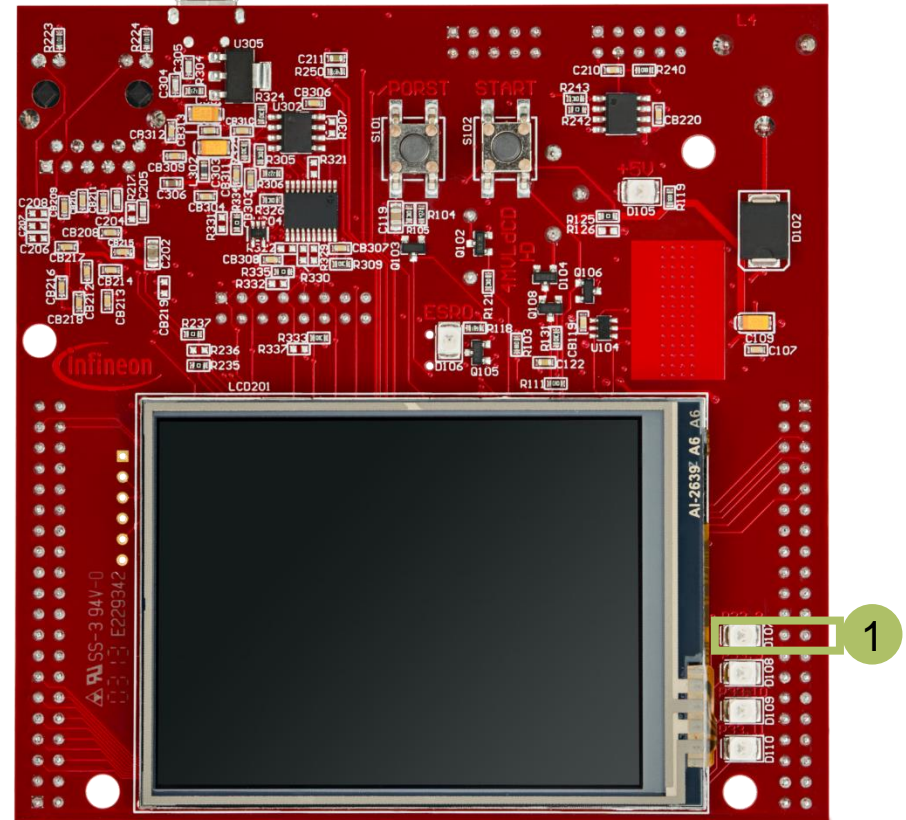
The method implementing the ISR needs to be assigned a **priority** and a **CPU core** responsible for its execution. This is done with the macro ***IFX_INTERRUPT(isr, vectabNum, priority)***.

When triggered, the ISR **blinks** the LED by **toggleing** the **state** of the connected pin using the function ***IfxPort_setPinState()***.

Run and Test

After code compilation and flashing the device, perform the following steps:

1. Connect the two pins P02.0 and P02.1 to each other. P02.1 is used to generate the falling and rising edges by toggling the state from high to low. P02.0 is the input of the ERU which generates the interrupts on falling and rising edges.
2. Toggle the P02.1 pin state via the value of the variable **LEDstate** of the structure **g_ERUconfig** with the debugger.
3. Check LED D107 (1) is changing state when the variable is modified.



References



- › AURIX™ Development Studio is available online:
- › <https://www.infineon.com/aurixdevelopmentstudio>
- › Use the „*Import...*“ function to get access to more code examples.



- › More code examples can be found on the GIT repository:
- › https://github.com/Infineon/AURIX_code_examples



- › For additional trainings, visit our webpage:
- › <https://www.infineon.com/aurix-expert-training>



- › For questions and support, use the AURIX™ Forum:
- › <https://www.infineonforums.com/forums/13-Aurix-Forum>

Revision history

Revision	Description of change
V1.0.1	Update of version to be in line with the code example's version
V1.0.0	Initial version

Trademarks

All referenced product or service names and trademarks are the property of their respective owners.

Edition 2020-12

Published by

Infineon Technologies AG
81726 Munich, Germany

© 2020 Infineon Technologies AG.
All Rights Reserved.

Do you have a question about this document?

Email: erratum@infineon.com

Document reference

ERU_Interrupt_1_KIT_TC397_TFT

IMPORTANT NOTICE

The information given in this document shall in no event be regarded as a guarantee of conditions or characteristics (“Beschaffenheitsgarantie”).

With respect to any examples, hints or any typical values stated herein and/or any information regarding the application of the product, Infineon Technologies hereby disclaims any and all warranties and liabilities of any kind, including without limitation warranties of non-infringement of intellectual property rights of any third party.

In addition, any information given in this document is subject to customer’s compliance with its obligations stated in this document and any applicable legal requirements, norms and standards concerning customer’s products and any use of the product of Infineon Technologies in customer’s applications.

The data contained in this document is exclusively intended for technically trained staff. It is the responsibility of customer’s technical departments to evaluate the suitability of the product for the intended application and the completeness of the product information given in this document with respect to such application.

For further information on the product, technology, delivery terms and conditions and prices please contact your nearest Infineon Technologies office (www.infineon.com).

WARNINGS

Due to technical requirements products may contain dangerous substances. For information on the types in question please contact your nearest Infineon Technologies office.

Except as otherwise explicitly approved by Infineon Technologies in a written document signed by authorized representatives of Infineon Technologies, Infineon Technologies’ products may not be used in any applications where a failure of the product or any consequences of the use thereof can reasonably be expected to result in personal injury.