



# AURIX™ Drive Core for NeuSAR

A comprehensive software bundle including full-stack AUTOSAR and development environment to accelerate AUTOSAR and safety projects for the Chinese market.

Version	1.0.0
---------	-------

## Drive Core

Drive Core is a scalable software bundle portfolio for AURIX™, TRAVEO™ and PSOC™ that facilitates rapid start into Automotive software development.

## AURIX™ Drive Core for NeuSAR

The AURIX™ Drive Core for NeuSAR bundle accelerates and simplifies automotive AUTOSAR applications for the Chinese market by integrating a certified AUTOSAR stack, certified compiler and configuration tooling. The Software bundle ensures an easy start for developing AUTOSAR-based applications. Neusoft's NeuSAR basic software platform, Infineon's MCALs for AURIX™ TC4x provide a pre-integrated and certified AUTOSAR software stack, enhanced by optimized open-source LLVM compiler tooling from HighTec. Additionally, developers can easily start based on sample MCAL projects, project examples and import guides.

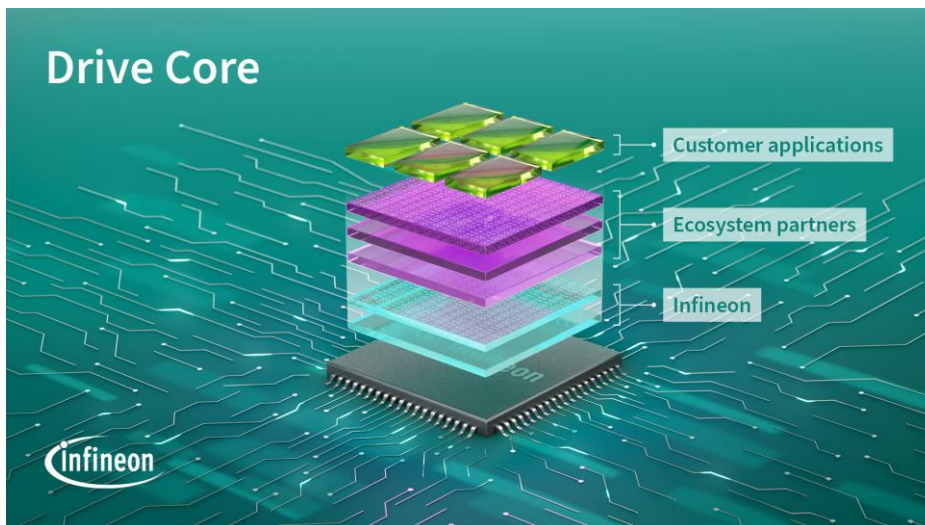
The software bundle includes comprehensive documentation enabling developers to quickly start projects to build the E/E architecture for next generation automobiles, both in English and Chinese. NeuSAR is designed for multicore, high performance and high bandwidth communication ECUs.

## Key features

- **Complete AUTOSAR Solution:** NeuSAR BSW and Infineon MCALs
- **Optimized Compiler Tools:** HighTec open-source LLVM compiler tool
- **Comprehensive Documentation:** Demo examples and documentation

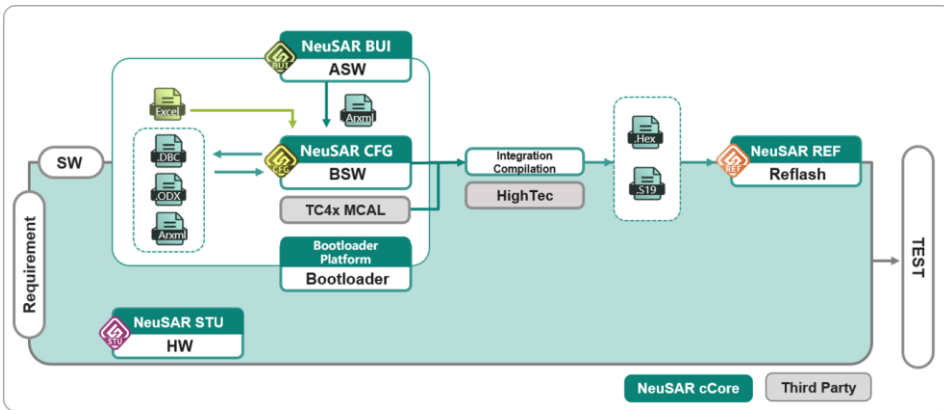
## Key benefits

- **Faster Development**  
Start developing AUTOSAR-based apps right away
- **Quick evaluation** of AUTOSAR toolchains
- **Easy validation** of system architectures & functions



PRODUCT BRIEF

Block Diagram



<ASW>  
 Matlab; DaVinci Developer;  
 SystemDesk

<Compiler>  
 Hightec; etc.

<Debugger>  
 iSystem; Lauterbach; Jlink

Key components

- **Compiler:** HighTec LLVM TC/C++
- **Tooling:** NeuSAR Configurator
- **BSW / OS:** Neusoft NeuSAR cCore
- **HAL/Drivers:** MC-ISAR

Supported Devices

AURIX™ TC4x

License scheme

3 months evaluation



[www.infineon.com](http://www.infineon.com)

Published by  
 Infineon Technologies AG  
 Am Campeon 1-15, 85579 Neubiberg  
 Germany

© 2023 Infineon Technologies AG  
 All rights reserved.

Public

Date: 03/2025

**Please note!**

This Document is for information purposes only and any information given herein shall in no event be regarded as a warranty, guarantee or description of any functionality, conditions and/or quality of our products or any suitability for a particular purpose. With regard to the technical specifications of our products, we kindly ask you to refer to the relevant product data sheets provided by us. Our customers and their technical departments are required to evaluate the suitability of our products for the intended application.

We reserve the right to change this document and/or the information given herein at any time.

**Additional information**

For further information on technologies, our products, the application of our products, delivery terms and conditions and/or prices, please contact your nearest Infineon Technologies office ([www.infineon.com](http://www.infineon.com)).

**Warnings**

Due to technical requirements, our products may contain dangerous substances. For information on the types in question, please contact your nearest Infineon Technologies office.

Except as otherwise explicitly approved by us in a written document signed by authorized representatives of Infineon Technologies, our products may not be used in any life-endangering applications, including but not limited to medical, nuclear, military, life-critical or any other applications where a failure of the product or any consequences of the use thereof can result in personal injury.