

MultiCAN+

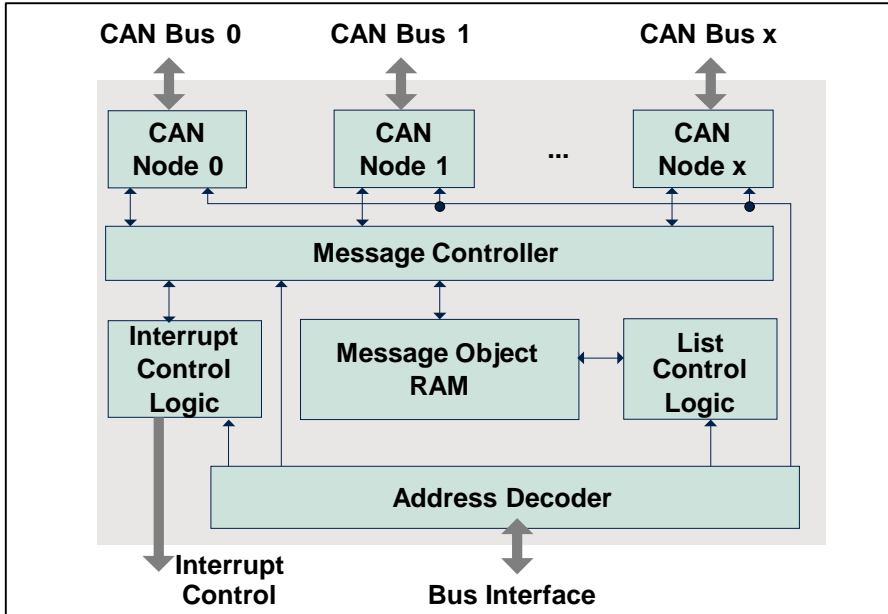
Controller Area Network

AURIX™ TC2xx Microcontroller Training
V1.0 2019-03



[Please read the Important Notice and Warnings at the end of this document](#)

MultiCAN+ Controller Area Network



Highlights

AURIX™ TC2xx provides MultiCAN+ module with up to 5 CAN nodes and conforms to the ISO 11898-1.

Two possible data transfer rates are possible:

- upto 1 Mbit/s (classical CAN)
- upto 5 Mbit/s (CAN FD)

they are separately programmable for each node.

Key Features

Up to 256 independent message objects (MO)

Up to 5 independent CAN nodes

Automatic FIFO and Gateway functionality

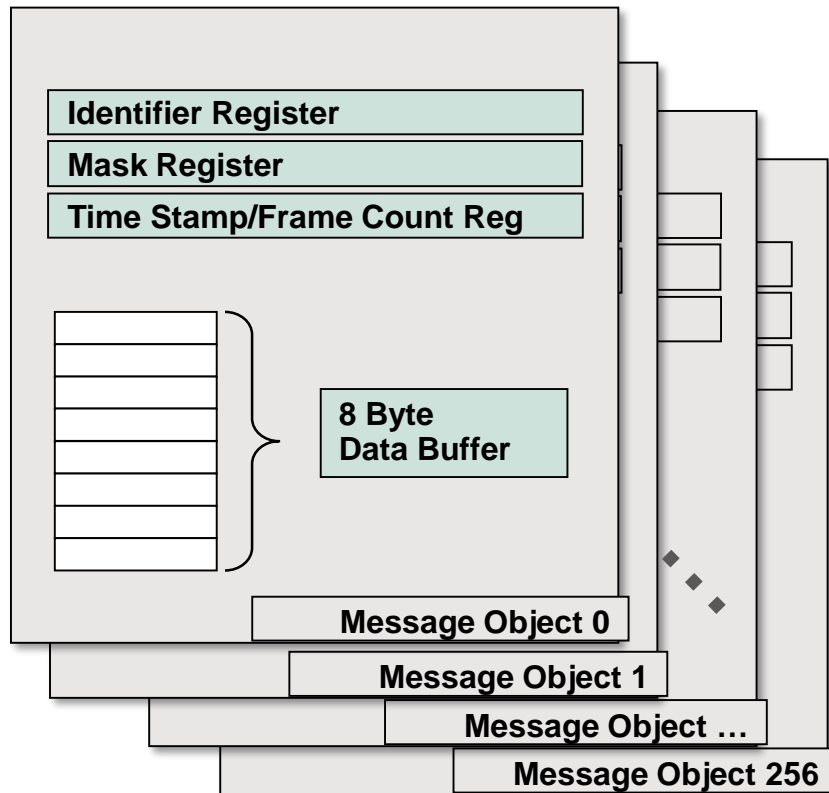
Customer Benefits

Free the CPU to MO re-configuration in run time

Dedicated control registers for each CAN node increasing system flexibility

Communication Handled automatically by the module freeing the CPU

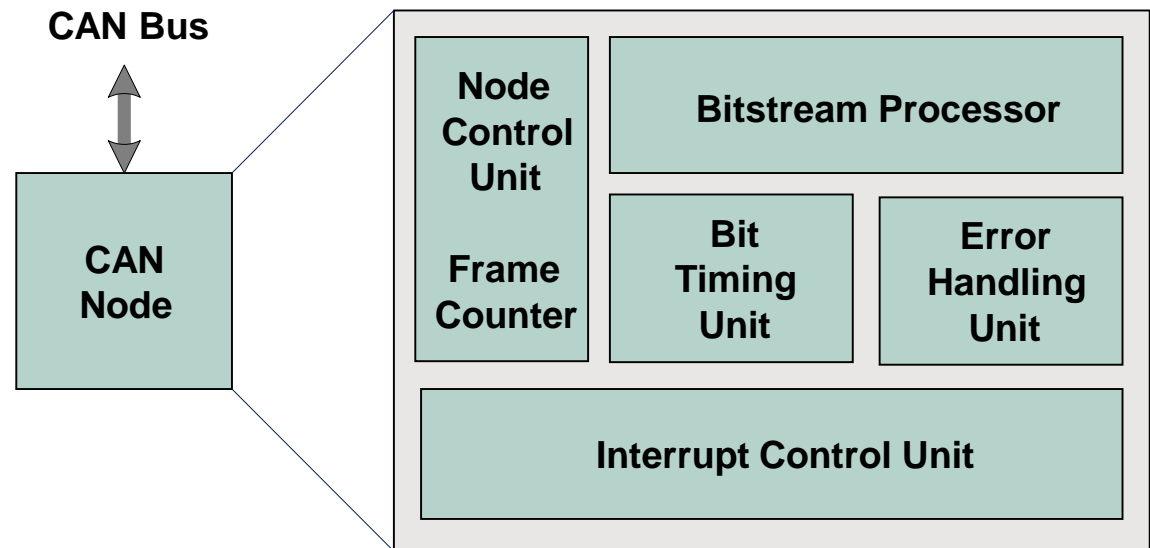
Up to 256 independent message objects



- › Up to 256 independent MO with ID masking and time stamp features
 - Each MO has its own identifier register: 11 or 29-bit ID
 - One mask register per MO which specifies which bits of ID are not to be considered
 - Independent time stamp and frame count for each MO: this feature serves to indicate when the message has arrived or when it was transmitted

Up to 5 independent CAN nodes

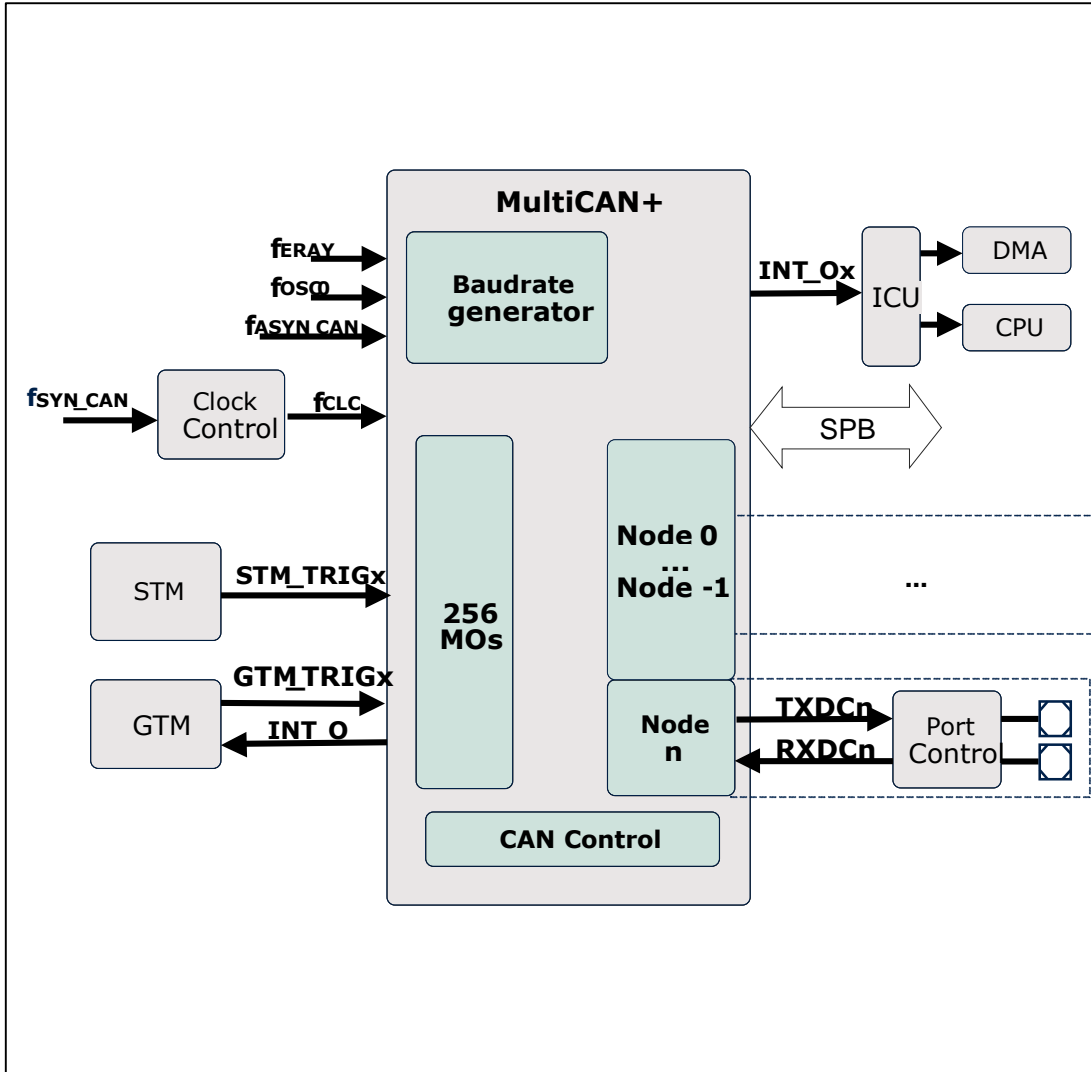
- › Up to 5 independent CAN nodes flexibly connected to the MOs
 - Baud rate settings
 - Operation and events control
 - Ports control
 - Error analysis
 - Timer Event



- › FIFO functionality freeing the CPU:
 - Message objects can be combined to build FIFO of a chosen size
 - Message objects can be organized as FIFO buffers for transmission and reception
 - FIFO interacts with message objects rather than lists
- › Gateway functionality freeing the CPU:
 - Gateway mode allows transfer of messages between two nodes without CPU intervention
 - Two nodes may operate at different baud rates
 - Gateway FIFOs can be built

MultiCAN+

System integration



System integration

Each Transmit/Receive line of every CAN node is available for several external ports through the port control logic.

Up to 16 interrupt lines (INT_Ox) connect ICU for CPU trigger and DMA service or as signal trigger of the GTM action.

Up to 3 MOs on each CAN node can be transmitted without CPU (trigger signal from STM/GTM)

Target applications

Automotive/Motor control

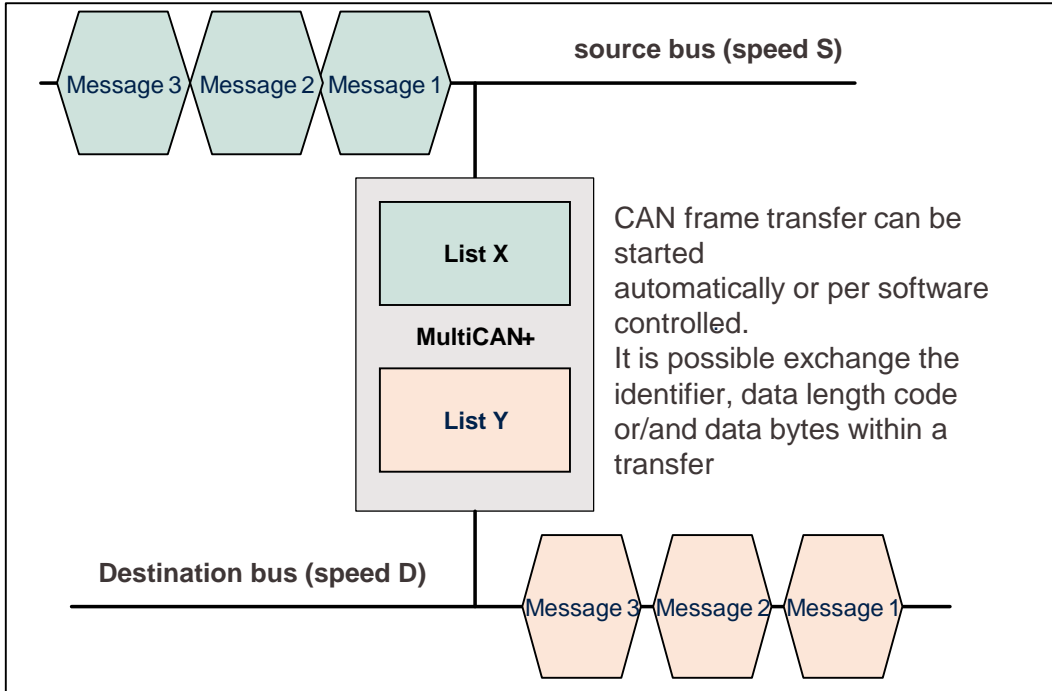
Industrial automation

Connectivity

General purpose

Application example

Gateway mode



Overview

The MultiCAN+ module offers a so-called gateway mode to transfer CAN messages from one CAN bus to another without CPU involvement.

The source and destination bus can be of different speed.

In case of high CPU load and/or high CAN bus traffic a FIFO structure on the gateway destination side can be built to avoid loss of incoming CAN frames and minimize the setup time for outgoing frames.

The size of FIFOs is limited only by the number of available message objects.

A FIFO structure can be installed, resized and de-installed at any time, even during CAN operation.

Advantages

Using the gateway mode with FIFO buffering CAN frames can be re-routing automatically without loss of incoming frames in high bus traffic

This reduces CPU load and improves the real time behavior of the entire system.

Trademarks

All referenced product or service names and trademarks are the property of their respective owners.

Edition 2019-03

Published by

**Infineon Technologies AG
81726 Munich, Germany**

**© 2019 Infineon Technologies AG.
All Rights Reserved.**

Do you have a question about this document?

Email: erratum@infineon.com

Document reference

**AURIX_Training_1_
Controller_Area_Network**

IMPORTANT NOTICE

The information given in this document shall in no event be regarded as a guarantee of conditions or characteristics (“Beschaffenheitsgarantie”).

With respect to any examples, hints or any typical values stated herein and/or any information regarding the application of the product, Infineon Technologies hereby disclaims any and all warranties and liabilities of any kind, including without limitation warranties of non-infringement of intellectual property rights of any third party.

In addition, any information given in this document is subject to customer’s compliance with its obligations stated in this document and any applicable legal requirements, norms and standards concerning customer’s products and any use of the product of Infineon Technologies in customer’s applications.

The data contained in this document is exclusively intended for technically trained staff. It is the responsibility of customer’s technical departments to evaluate the suitability of the product for the intended application and the completeness of the product information given in this document with respect to such application.

For further information on the product, technology, delivery terms and conditions and prices please contact your nearest Infineon Technologies office (www.infineon.com).

WARNINGS

Due to technical requirements products may contain dangerous substances. For information on the types in question please contact your nearest Infineon Technologies office.

Except as otherwise explicitly approved by Infineon Technologies in a written document signed by authorized representatives of Infineon Technologies, Infineon Technologies’ products may not be used in any applications where a failure of the product or any consequences of the use thereof can reasonably be expected to result in personal injury.