

AN99114

S71WS512N to S71WS512P Migration

Author: Daisuke Nakata

AN99114 describes the considerations when migrating from S71WS512N to S71WS512P.

Contents

1	Introduction	1	4.5	Page Mode Read	8
2	Performance Characteristics	2	4.6	Autoselect Device ID	8
3	Electrical Specification Changes	3	4.7	Write Buffer Programming	8
3.1	I/O Descriptions - Package and Pin Layout	3	4.8	CFI	8
3.2	V _{CC} and V _{CCQ} Ramp	3	4.9	Summary	8
4	Basic Architectural Changes	4	5	Appendix 1	9
4.1	Sector Architecture	4	6	AC Characteristics	12
4.2	Bank Architecture	4	7	Appendix 2	16
4.3	Chip select	4		Document History Page	19
4.4	Burst Configuration Register	5		Worldwide Sales and Design Support	20

1 Introduction

Migrating from the S71WS512N to the monolithic S71WS512P is a simple process; however, the user should be aware of a few differences between these two parts. These differences are the result of the S71WS512N using two S29WS256N die in series while the S71WS512P uses a single S29WS512P configuration. This application note describes these differences in detail so users currently using the S71WS512N configuration can plan ahead and include the necessary software to ensure a smooth migration to the S71WS512P. Both software and hardware considerations are covered. [Table 1](#) shows a comparison of the key features between the two flash device cores.

Table 1. Comparison of Key Features (Sheet 1 of 2)

Futures	S29WS256N	S29WS512P
Technology	MirrorBit™	MirrorBit™
Process Rule	110 nm	90 nm
V _{CC}	1.70 V to 1.95 V	1.70 V to 1.95 V
V _{IO} (V _{CCQ})	=V _{CC}	=V _{CC}
Max Density	256 Mb	512 Mb
Configuration Register	CR0-CR15	CR0.0 - CR0.15, CR1.0 - CR1.15
Sector Architecture	16 K-words Small Sector 64 K-words Large Sector	16 K-words Small Sector 64 K-words Large Sector
Bank Architecture	16 Bank Structure	16 Bank Structure
Bank Size	2 Mb	4 Mb
Boot Option	Top / Bottom / Dual	Top / Bottom / Dual
Common Flash Interface (CFI)	Yes	Yes
Simultaneous Read/Write	Yes	Yes
Asynchronous Read Mode	Yes	Yes
Page Mode Read	Yes	Yes
Page Size	4-words	8-words
Synchronous (Burst) Read Mode	Yes	Yes

Table 1. Comparison of Key Features (Sheet 2 of 2)

Futures	S29WS256N	S29WS512P
Burst Frequency	54 MHz / 66 MHz / 80 MHz	54 MHz / 66 MHz / 80 MHz / 108 MHz
Burst Length	8 / 16 / 32 Continuous	8 / 16 / 32 Continuous
Single Word / Write Buffer Program	Yes	Yes
Write Buffer Size	32-words	32-words
Program Suspend / Program Resume	Yes	Yes
Sector Erase / Chip Erase	Yes	Yes
Erase Suspend / Erase Resume	Yes	Yes
Unlock Bypass / Fast Mode	Yes	Yes
Accelerated Program / Chip Erase	Yes	Yes
Sector Protection	Hardware: WP# Software: ASP	Hardware: WP# Software: ASP
Secured Silicon Area	128-words factory locked 128-words customer lockable	128-words factory locked 128-words customer lockable

2 Performance Characteristics

The 90 nm MirrorBit™ technology, on which the S29WS512P is based, allows performance improvements over the S29WS256N, which is based on 110 nm MirrorBit technology. [Table 2](#) shows the performance comparison between the two devices.

Table 2. Performance Comparison

Access Time		S29WS256N	S29WS512P
Read Access Time V _{CC} =1.70 V to 1.95 V CL=30pF	Max. Async. Access (t _{ACC})	80 ns	80 ns
	Max. Async. Page Access (t _{PACC})	20 ns	20 ns
	Max. Sync. Burst Access (t _{BACC})	9 ns	7 ns
Single Word Programming Time	Typ	40 μs	30 μs
	Max (See Note)	400 μs	150 μs
Total 32-Words Buffer Programming Time	Typ	300 μs	192 μs
	Max (See Note)	3000 μs	960 μs
Effective Word Programming Time	Typ	9.4 μs	6 μs
	Max (See Note)	94 μs	30 μs
Sector Erase Time	Typ	150 ms: 16 K-words 600 ms: 64 K-words	150 ms: 16 K-words 600 ms: 64 K-words
	Max (See Note)	2000 ms: 16 K-words 3500 ms: 64 K-words	1750 ms: 16 K-words 3000 ms: 64 K-words

Note:

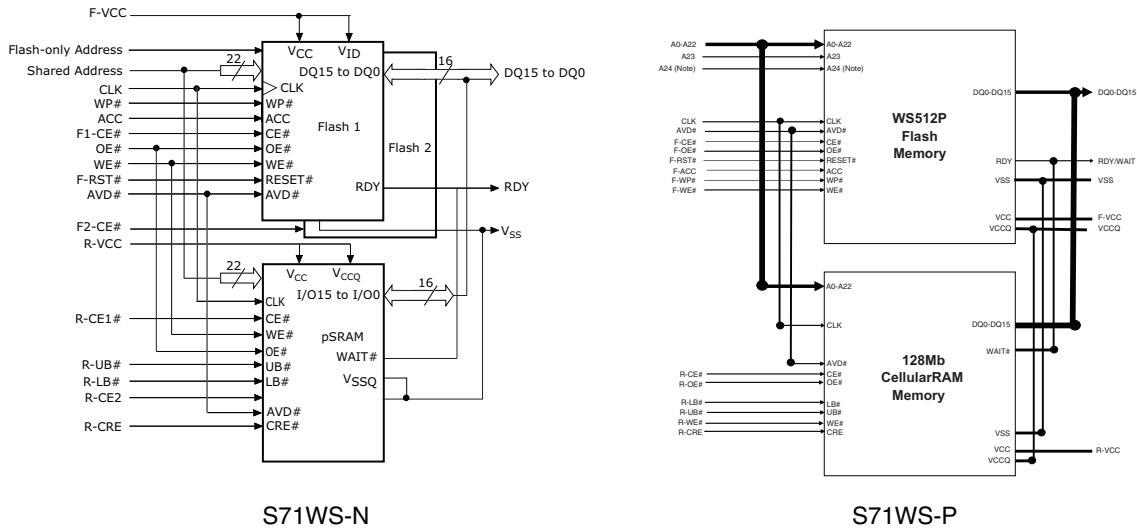
Under worst case conditions of 90°C. V_{CC} = 1.70 V. 100,000 cycles.

3 Electrical Specification Changes

3.1 I/O Descriptions - Package and Pin Layout

There are also a few hardware changes required for the migration. Since the entire S29WS512P is addressed with a single chip select, address line A24 has to be connected. Note that some systems may require a pull down resistor on A24. The two block diagrams in Figure 1 illustrate these changes.

Figure 1 Block Diagrams



Note:
Pull down resistor may be required for some systems.

3.2 V_{CC} and V_{CCQ} Ramp

On the WS512P, V_{CC} and V_{CCQ} (V_{IO}) must ramp up simultaneously. This restriction is not required on the S71WS512N. Regarding V_{CC} ramp rates, the WS512P places no restriction on V_{CC}; (Some earlier revisions of the WS256N required the ramp rate to be greater than 1 V/100 μs, or a RESET pulse would have to be issued.

Table 3 shows parameters that have been changed in the S29WS512P.

Table 3. V_{CC} / RESET# / CE# Timing Parameter Comparison

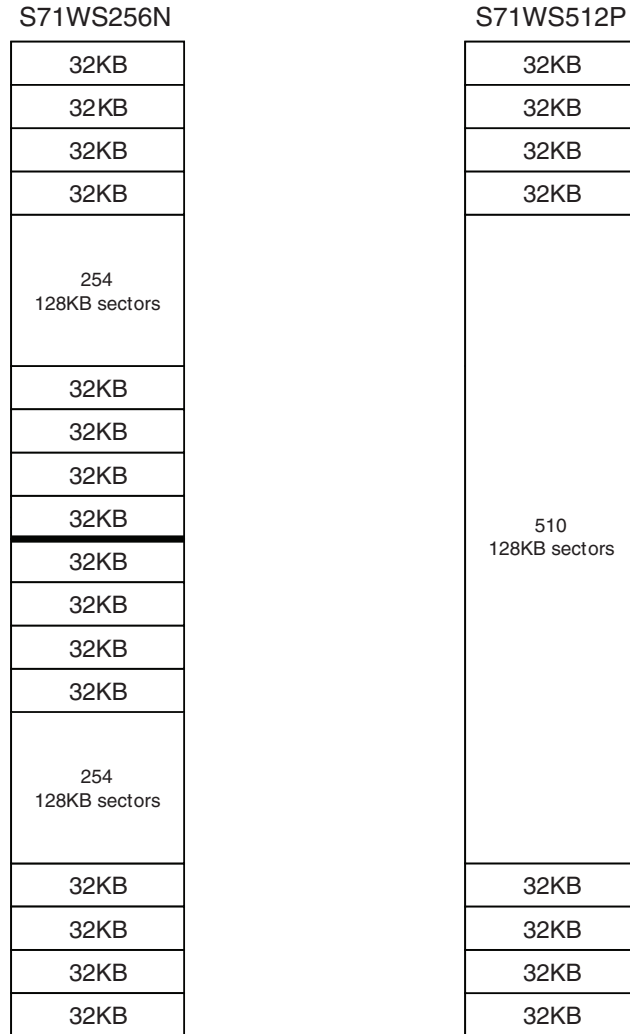
Parameter	Description	S29WS256N	S29WS512P
t _{VCS}	V _{CC} Setup Time	1 ms	30 μs
t _{RPH}	RESET# Low to CE# Low	N/A	10 μs

4 Basic Architectural Changes

4.1 Sector Architecture

Both the S29WS256N and the S29WS512P feature sectors of the same size, that is, 128 KB sectors and the smaller 32 KB (boot) sectors. However, the S71WS512N contains a total of 16 small flash sectors, while the S71WS512P contains only 8 small flash sectors. Figure 2 illustrates this.

Figure 2. Flash Sector Architecture of the S71WS256N and S71WS512P



When designing software compatible with both devices, users must account for the 8 additional boot sectors in the S71WS256N, situated logically in the middle of the sector map.

4.2 Bank Architecture

The flash core of the S71WS512N consists of a total of 32 banks, each of which is 2 MB. The flash core of the S71WS512P contains a total of 16 banks, each of which is 4 MB. This variation may be important to consider in cases where the simultaneous read/write feature of the devices is being used to ensure that the proper bank boundaries are accounted for in both cases.

4.3 Chip select

Since the S71WS512N employs two chip selects (one chip select addresses one 32 MB region), it is possible to configure the address range to be non-contiguous for the two 32 MB regions. However, the S71WS512P is a monolithic device that can be addressed with only one chip select and has a contiguous address range. If the

S71WS512N is configured with an address gap after the first 32 MB, users must ensure that the software can also handle a contiguous address range in the S71WS512P.

4.4 Burst Configuration Register

The S71WS512N has two configuration registers (see Table 4) of the same type (one in each die) that need to be configured individually for proper operation of the device. The S71WS512P has two different types of configuration registers. The S71WS512P has an additional configuration register (see Table 5) in which two bit fields are used. CR1.0 is used to provide additional programmable wait states. In addition, CR 0.6, can be used to select zero hold mode. Finally, the configuration registers must be programmed in order (CR0 first and then CR1) or programming will be ignored.

Table 4. S29WS256N Configuration Register

CR Bit	Function							Settings							
CR 15	Set Device Read Mode							0: Burst Read Mode 1: Asynchronous Read Mode							
CR 14	Reserved							0: All Others 1: S29WS256N at 6 or 7 Wait Settings							
		2nd	3rd	4th	5th	6th	7th	Initial data is valid on the 2nd (3rd, 4th...9th) rising CLK edge after addresses are latched.							
CR 13	Programmable Wait State	0	0	0	0	1	1								
CR 12		0	0	1	1	0	0								
CR 11		0	1	0	1	0	1								
CR 10	RDY Polarity							0: RDY signal active LOW 1: RDY signal active HIGH (Default)							
CR 9	Reserved							1: Default							
CR 8	RDY							0: RDY active 1-clock cycle before data 1: RDY active with data							
CR 7	Reserved							1: Default							
CR 6	Reserved							1: Default							
CR 5	Reserved							0: Default							
CR 4	Reserved							0: Default							
CR 3	Burst Wrap Around							0: No Wrap Around Burst 1: Wrap Around Burst (Default)							
								Continuou s (Default)	8-Word Linear Burst	16-Word Linear Burst	32-Word Linear Burst				
CR 2	Burst Length							0							
CR 1								0				1			
CR 0								0				1			

Table 5. S29WS512P Configuration Register (Sheet 1 of 2)

CR Bit	Function									Settings			
CR 0.15	Set Device Read Mode									0: Burst Read Mode 1: Asynchronous Read Mode			
CR 0.14	Reserved									0: Reserved 1: Reserved (Default)			
		2nd	3rd	4th	5th	6th	7th	8th	9th	Initial data is valid on the 2nd (3rd, 4th...9th) rising CLK edge after addresses are latched.			
CR 1.0	Programmable Wait State	0	0	0	0	0	0	1	1				
CR 0.13		0	0	0	0	1	1	0	0				
CR 0.12		0	0	1	1	0	0	0	0				
CR 0.11		0	1	0	1	0	1	0	1				

Table 5. S29WS512P Configuration Register (Sheet 2 of 2)

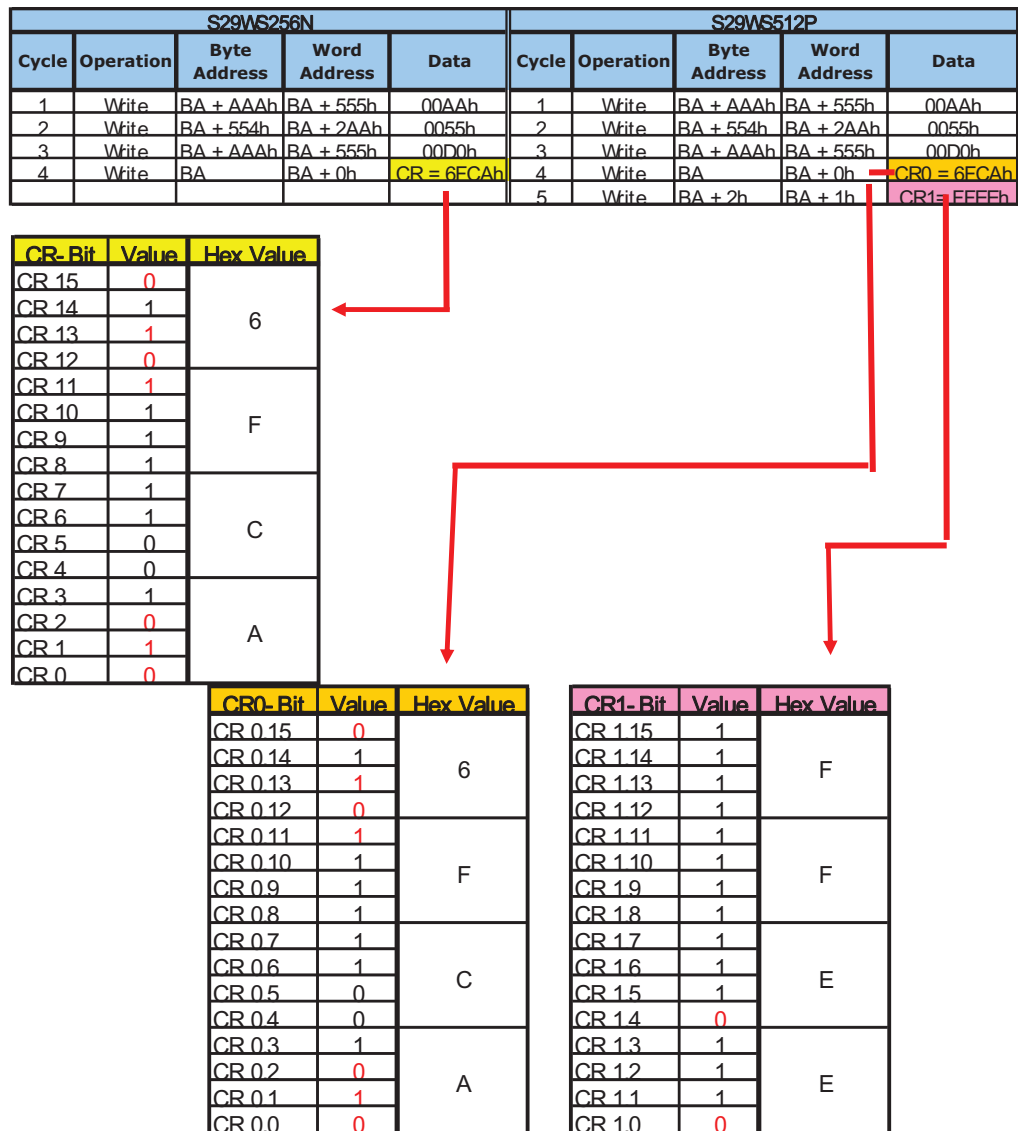
CR Bit	Function	Settings			
CR 0.10	RDY Polarity	0: RDY signal active LOW 1: RDY signal active HIGH (Default)			
CR 0.9	Reserved	1: Default			
CR 0.8	RDY	0: RDY active 1-clock cycle before data 1: RDY active with data			
CR 0.7	Reserved	1: Default			
CR 0.6	Mode of Operation	0: Zero Hold Mode 1: Legacy Mode (Default)			
CR 0.5	Data Rate	0: Default			
CR 0.4	RDY Function	0: Default			
CR 0.3	Burst Wrap Around	0: No Wrap Around Burst 1: Wrap Around Burst (Default)			
		Continuou s (Default)	8-Word Linear Burst	16-Word Linear Burst	32-Word Linear Burst
CR 0.2	Burst Length	0	0	0	1
CR 0.1		0	1	1	0
CR 0.0		0	0	1	0
CR 1.15	Reserved	1: Default			
CR 1.14	Reserved	1: Default			
CR 1.13	Reserved	1: Default			
CR 1.12	Reserved	1: Default			
CR 1.11	Reserved	1: Default			
CR 1.10	Reserved	1: Default			
CR 1.9	Reserved	1: Default			
CR 1.8	Reserved	1: Default			
CR 1.7	Reserved	1: Default			
CR 1.6	Reserved	1: Default			
CR 1.5	Reserved	1: Default			
CR 1.3	Reserved	1: Default			
CR 1.2	Reserved	1: Default			
CR 1.1	Reserved	1: Default			

Table 6. Configuration Register Access Command Comparison

	Command	Cycles	Bus Cycles											
			First		Second		Third		Fourth		Fifth		Sixth	
			Addr	Data	Addr	Data	Addr	Data	Addr	Data	Addr	Data	Addr	Data
S29WS256N	Set Configuration Register	4	555	AA	2AA	55	555	D0	X00	CR				
	Read Configuration Register	4	555	AA	2AA	55	555	C6	X00	CR				
S29WS512P	Set Configuration Register	5	555	AA	2AA	55	555	D0	X00	CR0	X01	CR1		
	Read Configuration Register	4	555	AA	2AA	55	555	C6	X0 or X1	CR0 or CR1				

Figure 3 shows an example of how to set the configuration register for 80 MHz 8-Burst with Wrap Read (7-Wait), RDY Active-H 1 cycle prior.

Figure 3. Example Configuration Register Settings



4.5 Page Mode Read

Both devices are capable of page mode reads, which provides random read access speed for locations within a page. [Table 7](#) shows the page size comparison differences between the S71WS512N and the S71WS512P.

Table 7 Page Size Comparison

Description	S71WS256N	S71WS512P
Page Size	4-word	8-word (See Note)

Note:

Supports 8-word cache fill.

4.6 Autoselect Device ID

For ease of identification, the two devices have separate device ID codes (see [Table 8](#)). The Device ID can be retrieved using the Autoselect command sequence.

Table 8. Device ID Comparison

Description	Autoselect Address	Read Data (S71WS512N)	Read Data (S71WS512P)
Device ID, Word 1	(BA) + 01h	227Eh	227Eh
Device ID, Word 2	(BA) + 0Eh	2230h	223Dh - Single CE
Device ID, Word 3	(BA) + 0Fh	2200h	2200h

4.7 Write Buffer Programming

The S71WS512P limits the user to loading addresses starting from the minimum address in a sequential order when using write buffer programming, while the S71WS256N is a little more flexible, allowing addresses to be loaded non-sequentially.

4.8 CFI

Since these two devices differ in performance, device geometry and other features, some entries in their corresponding CFI tables are different. Those entries that are different in the two devices are listed in [Table 9](#).

Table 9. CFI Comparison

Address	Description
0x1Fh	Typical timeout per single byte/word write
0x23h	Max timeout for byte/word write
0x24h	Max timeout for buffer write
0x27h	Device Size
0x31h - 0x34h	Erase Block Region 2 information
0x45h	Silicon Technology
0x4A	Simultaneous operation; Number of sectors in all banks except boot bank
0x4c	Page Mode Type
0x4f	Top/Bottom Boot Sector Flag
0x52h	Secured Silicon Sector (customer OTP area) size
0x58-0x67	Region Information for all banks – sectors in each bank

4.9 Summary

While the majority of the command set and features relevant to software remain consistent between the S71WS512N and S71WS512P, users should consider the differences outlined in this application note to ensure a smooth migration path without the need to change software.

5 Appendix 1

This section details parameter comparisons between the S29WS256N and the S29WS512P.

Table 10. Absolute Maximum Ratings

S29WS256N		S29WS512P	
Parameter	Max	Parameter	Max
Storage Temperature Plastic Packages	-65°C to +150°C	Storage Temperature Plastic Packages	-65°C to +150°C
Ambient Temperature with Power Applied	-65°C to +125°C	Ambient Temperature with Power Applied	-65°C to +125°C
Voltage with Respect to Ground: All Inputs and I/Os except as noted below	-0.5 V to $V_{CC} + 0.5$ V	Voltage with Respect to Ground: All Inputs and I/Os except as noted below	-0.5 V to $V_{CC} + 0.5$ V
V_{CC}	-0.5 V to 2.5 V	V_{CC}	-0.5 V to 2.5 V
ACC	-0.5 V to 2.5 V	ACC	-0.5 V to 2.5 V
Output Short Circuit Current	100 mA	Output Short Circuit Current	100 mA

Table 11. Operating Ranges

S29WS256N		S29WS512P	
Parameter	Max	Parameter	Max
Ambient Temperature (TA)	-25°C to +85°C	Ambient Temperature (TA)	-25°C to +85°C
V_{CC} Supply Voltages	+1.70 V to + 1.95 V	V_{CC} Supply Voltages	+1.70 V to + 1.95 V

Table 12. S29WS256N DC Characteristics (Sheet 1 of 2)

Parameter	Description	Note	Min.	Typ	Max	Unit
I_{LI}	Input Load Circuit				+1	μ A
I_{LO}	Output Leakage Current				+1	μ A
I_{CCB}	V_{CC} Active Burst Read Current: Burst Length = 8	54 MHz		27	54	mA
		66 MHz		28	60	mA
		80 MHz		30	66	mA
		108 MHz		—	—	mA
	V_{CC} Active Burst Read Current: Burst Length = 16	54 MHz		28	48	mA
		66 MHz		30	54	mA
		80 MHz		32	60	mA
		108 MHz		—	—	mA
	V_{CC} Active Burst Read Current: Burst Length = Continuous	54 MHz		29	42	mA
		66 MHz		32	48	mA
		80 MHz		34	54	mA
		108 MHz		—	—	mA
	V_{CC} Active Burst Read Current: Burst Length = 8	54 MHz		32	36	mA
		66 MHz		35	42	mA
		80 MHz		38	48	mA
		108 MHz		—	—	mA
I_{CC1}	V_{CC} Active Asynchronous Read Current	10 MHz		34	45	mA
		5 MHz		17	26	mA
		1 MHz		4	7	mA
I_{CC2}	V_{CC} Active Write Current	V_{ACC}		1	5	μ A
		V_{CC}		24	52.5	mA

Table 12. S29WS256N DC Characteristics (Sheet 2 of 2)

Parameter	Description	Note	Min.	Typ	Max	Unit
I _{CC3}	V _{CC} Standby Current	V _{ACC}		1	5	μA
		V _{CC}		20	70	μA
I _{CC4}	V _{CC} Reset Current			70	250	μA
I _{CC5}	V _{CC} Active Current (Read While Write)			50	60	μA
I _{CC6}	V _{CC} Sleep Current			2	70	μA
I _{CC7}	V _{CC} Active Page Read Current 4-words			10	15	mA
I _{ACC}	Accelerated Program Current	V _{ACC}		6	20	mA
		V _{CC}		14	20	mA
V _{IL}	Input Low Voltage		-0.5		0.4	V
V _{IH}	Input High Voltage		V _{CC} - 0.4		V _{CC} + 0.4	V
V _{OL}	Output Low Voltage				0.1	V
V _{OH}	Output High Voltage		V _{CC}			V
V _{HH}	Voltage for Accelerated Program		8.5		9.5	V
V _{LKO}	Low V _{CC} Lock-out Voltage				1.4	V

Table 13. S29WS512P DC Characteristics (Sheet 1 of 2)

Parameter	Description	Note	Min.	Typ	Max	Unit
I _{LI}	Input Load Circuit				+1	μA
I _{LO}	Output Leakage Current				+1	μA
I _{CCB}	V _{CC} Active Burst Read Current: Burst Length = 8	54 MHz		—	—	—
		66 MHz		—	—	—
		80 MHz		—	—	—
		108 MHz		36	54	mA
	V _{CC} Active Burst Read Current: Burst Length = 16	54 MHz		—	—	—
		66 MHz		—	—	—
		80 MHz		—	—	—
		108 MHz		32	48	mA
	V _{CC} Active Burst Read Current: Burst Length = Continuous	54 MHz		—	—	—
		66 MHz		—	—	—
		80 MHz		—	—	—
		108 MHz		28	42	mA
	V _{CC} Active Burst Read Current: Burst Length = 8	54 MHz		—	—	—
		66 MHz		—	—	—
		80 MHz		—	—	—
		108 MHz		24	36	mA
I _{CC1}	V _{CC} Active Asynchronous Read Current	10 MHz		40	80	mA
		5 MHz		20	40	mA
		1 MHz		10	20	mA
I _{CC2}	V _{CC} Active Write Current	V _{ACC}		1	5	μA
		V _{CC}		20	40	mA
I _{CC3}	V _{CC} Standby Current	V _{ACC}		1	5	μA
		V _{CC}		20	40	μA
I _{CC4}	V _{CC} Reset Current			30	60	μA

Table 13. S29WS512P DC Characteristics (Sheet 2 of 2)

Parameter	Description	Note	Min.	Typ	Max	Unit
I_{CC5}	V_{CC} Active Current (Read While Write)			40	60	μ A
I_{CC6}	V_{CC} Sleep Current			5	20	μ A
I_{CC7}	V_{CC} Active Page Read Current 4-words			10	15	mA
I_{ACC}	Accelerated Program Current	V_{ACC}		7	10	mA
		V_{CC}		15	20	mA
V_{IL}	Input Low Voltage		-0.5		0.4	V
V_{IH}	Input High Voltage		$V_{CC} - 0.4$		$V_{CC} + 0.4$	V
V_{OL}	Output Low Voltage				0.1	V
V_{OH}	Output High Voltage		$V_{CC} - 0.1$			V
V_{HH}	Voltage for Accelerated Program		8.5		9.5	V
V_{LKO}	Low V_{CC} Lock-out Voltage				1.4	V

Table 14. DC Characteristics Comparison

DC Characteristics	S29WS256N	S29WS512P	
Ambient Temperature	-25°C to 85°C	-25°C to 85°C	
Supply Voltage	+1.70 V to +1.95 V	+1.70 V to +1.95 V	
V_{IL} (Input Low Voltage): $V_{CC} = 1.8$ V	-0.5 V / 0.4 V (Typ/Max)	-0.5 V / 0.4 V (Typ/Max)	
V_{IH} (Input High Voltage): $V_{CC} = 1.8$ V	$V_{CC} - 0.4$ V / $V_{CC} + 0.4$ V (Typ/Max)	$V_{CC} - 0.4$ V / $V_{CC} + 0.4$ V (Typ/Max)	
V_{OL} (Output Low Voltage): $I_{OL} = 100$ μ A, $V_{CC} = V_{CCmin} = V_{CC}$	0.1 V (Max)	0.1 V (Max)	
V_{OH} (Output High Voltage): $I_{OL} = 100$ μ A, $V_{CC} = V_{CCmin} = V_{CC}$	V_{CC} (Min)	$V_{CC} - 0.1$ V (Min)	
V_{HH} (Voltage for Accelerated Program)	8.5 V - 9.5 V (Min/Max)	8.5 V - 9.5 V (Min/Max)	
V_{LKO} (Low V_{CC} Lock-out Voltage)	1.4 V (Max)	1.4 V (Max)	
V_{CC} Active Current $V_{CC} = 1.70-1.95$ V	Standby	20 mA/70 mA (Typ/Max)	20 mA/40 mA (Typ/Max)
	Async. Read 54 MHz	17 mA/26 mA (Typ/Max)	20 mA/40 mA (Typ/Max)
	Page Read	10 mA/15 mA (Typ/Max)	10 mA/15 mA (Typ/Max)
	Burst Read 8-word Max-Freq.	80 MHz: 30 mA/66 mA (Typ/Max)	108 MHz: 36 mA/54 mA (Typ/Max)
	Burst Read 16-word Max-Freq	80 MHz: 32 mA/60 mA (Typ/Max)	108 MHz: 32 mA/48 mA (Typ/Max)
	Prog/Erase Current	24 mA/52.5 mA (Typ/Max)	20 mA/40 mA (Typ/Max)

6 AC Characteristics

Table 15. S29WS256N Asynchronous Read

Parameter	Description	Mode		54 MHz	66 MHz	80 MHz	108 MHz	Unit
t_{CE}	Access Time from CE# Low	—	Max	80			—	ns
t_{ACC}	Asynchronous Access Time	—	Max	80			—	ns
t_{AVDP}	AVD# Low Time	—	Min	8			—	ns
t_{AAVDS}	Address Setup Time to Rising Edge of AVD#	—	Min	4			—	ns
t_{AAVDH}	Address Hold Time from Rising Edge of AVD#	—	Min	7	6		—	ns
t_{OE}	Output Enable to Output Valid	—	Max	13.5			—	ns
t_{OEh}	Output Enable Hold Time	Read	—	0			—	ns
		Toggled and Data# Polling	—	10			—	ns
t_{OEZ}	Output Enable to High Z	—	Max	10			—	ns
t_{CAS}	CE# Setup Time to AVD#	—	Min	0			—	ns
t_{PACC}	Intra Page Access Time	—	Max	—			—	ns

Table 16. S29WS512P Asynchronous Read

Parameter	Description	Mode		54 MHz	66 MHz	80 MHz	108 MHz	Unit
t_{CE}	Access Time from CE# Low	Zero Hold	Max	83				ns
		Legacy		80				
t_{ACC}	Asynchronous Access Time	Zero Hold	Max	83				ns
		Legacy		80				
t_{AVDP}	AVD# Low Time	—	Min	8	8	8	7.5	ns
t_{AAVDS}	Address Setup Time to Rising Edge of AVD#	Zero Hold	Min	4	4	4	3.5	ns
		Legacy	Min	8	8	8	7.5	ns
t_{AAVDH}	Address Hold Time from Rising Edge of AVD#	Zero Hold	Min	7	6	6	4	ns
		Legacy	Min	0	0	0	0	ns
t_{OE}	Output Enable to Output Valid		Max	6				ns
t_{OEh}	Output Enable Hold Time	Read	Min	0	0	0	0	ns
		Toggled and Data# Polling	Min	10	10	10	6	ns
t_{OEZ}	Output Enable to High Z		Max	10	10	10	7	ns
t_{CAS}	CE# Setup Time to AVD#		Min	0	0	0	0	ns
t_{PACC}	Intra Page Access Time		Max	20	20	20	20	ns

Table 17. S29WS256N Synchronous Burst Read (Sheet 1 of 2)

Parameter	Description	Mode		54 MHz	66 MHz	80 MHz	108 MHz	Unit
t_{iACC}	Synchronous Access Time		Max	80			—	ns
t_{BACC}	Burst Access Time Valid Clock to Output Delay		Max	13.5	11.2	9	—	ns
t_{ACS}	Address Setup Time to Clock		Min	5	4		—	ns
t_{ACH}	Address Hold Time from Clock		Min	7	6		—	ns
t_{BDH}	Data Hold Time		Min	4	3		—	ns
$t_{RDY} = t_{CR}$	Chip Enable to RDY Active		Max	13.5	11.2	9	—	ns
t_{OE}	Output Enable to RDY Low		Max	13.5	11.2		—	ns
t_{CEZ}	Chip Enable to High Z		Max	10			—	ns

Table 17. S29WS256N Synchronous Burst Read (Sheet 2 of 2)

Parameter	Description	Mode		54 MHz	66 MHz	80 MHz	108 MHz	Unit
t_{OEZ}	Output Enable to High Z		Max	10			—	ns
t_{CES}	CE# Setup Time to Clock		Min	4			—	ns
t_{RACC}	Ready Access Time from Clock		Max	13.5	11.2	9	—	ns
t_{CAS}	CE# Setup Time to AVD#		Min	0			—	ns
t_{AVC}	AVD# Low to Clock Setup Time		Min	4			—	ns
t_{AVD}	AVD# Pulse		Min	8			—	ns

Table 18. S29WS512P Synchronous Burst Read

Parameter	Description	Mode		54 MHz	66 MHz	80 MHz	108 MHz	Unit
t_{iACC}	Synchronous Access Time	Legacy	Max	80				ns
		Zero Hold		83				
t_{BACC}	Burst Access Time Valid Clock to Output Delay		Max	13.5	11.2	9	7	ns
t_{ACS}	Address Setup Time to Clock	Legacy	Min	5	4	4	3.5	ns
		Zero Hold		6	6	6	6	
t_{ACH}	Address Hold Time from Clock	Legacy	Min	6	6	5	5	ns
		Zero Hold		0	0	0	0	
t_{BDH}	Data Hold Time		Min	4	3	3	2	ns
$t_{RDY} = t_{CR}$	Chip Enable to RDY Active		Max	7				ns
t_{OE}	Output Enable to RDY Low		Max	13.5	11.2	9	7	ns
t_{CEZ}	Chip Enable to High Z		Max	10	10	10	7	ns
t_{OEZ}	Output Enable to High Z		Max	10	10	10	7	ns
t_{CES}	CE# Setup Time to Clock		Min	4	4	4	3.5	ns
t_{RACC}	Ready Access Time from Clock		Max	13.5	11.2	9	6	ns
t_{CAS}	CE# Setup Time to AVD#		Min	0	0	0	0	ns
t_{AVC}	AVD# Low to Clock Setup Time		Min	4	4	4	5	ns
t_{AVD}	AVD# Pulse		Min	8	8	8	6	ns

Table 19. S29WS256N Erase / Programming Performance (Sheet 1 of 2)

Parameter		Description		54 MHz	66 MHz	80 MHz	108 MHz	Unit
JEDEC	Standard							
t_{AVAV}	t_{WC}	Write Cycle Time	Min	80			—	ns
t_{AVWL}	t_{AS}	Synchronous	Min	5			—	ns
		Asynchronous		0			—	ns
t_{WLAX}	t_{AH}	Synchronous	Min	9			—	ns
		Asynchronous		20			—	
	t_{AVDP}	AVD# Low Time	Min	8			—	ns
t_{DVWH}	t_{DS}	Data Setup Time	Min	45	20		—	ns
t_{WHDX}	t_{DH}	Data Hold Time	Min	0			—	ns
t_{GHWL}	t_{GHWL}	Read Recovery Time Before Write	Min	0			—	ns
	t_{CAS}	CE# Setup Time to AVD#	Min	0			—	ns
t_{WHEH}	t_{CH}	CE# Hold Time	Min	0			—	ns
t_{WLWH}	t_{WP}	Write Pulse Width	Min	30			—	ns
t_{WHWL}	t_{WPH}	Write Pulse Width High	Min	20			—	ns
	$t_{SR/W}$	Latency Between Read and Write Operations	Min	0			—	ns

Table 19. S29WS256N Erase / Programming Performance (Sheet 2 of 2)

Parameter		Description		54 MHz	66 MHz	80 MHz	108 MHz	Unit
JEDEC	Standard			54 MHz	66 MHz	80 MHz	108 MHz	Unit
	t_{VID}	V_{ACC} Rise and Fall Time	Min	500			—	ns
	t_{VIDS}	V_{ACC} Setup Time (During Accelerated Programming)	Min	1			—	μ s
	t_{ELWL}	CE# Setup Time to WE#	Min	5			—	ns
	t_{AVSW}	AVD# Setup Time to WE#	Min	5			—	ns
	t_{AVHW}	AVD# Hold Time to WE#	Min	5			—	ns
	t_{AVSC}	AVD# Setup Time to CLK	Min	5			—	ns
	t_{AVHC}	AVD# Hold Time to CLK	Min	5			—	ns
	t_{SEA}	Sector Erase Accept Time-out	Max	50			—	μ s
	t_{ESL}	Erase Suspend Latency	Max	20			—	μ s
	t_{PSL}	Program Suspend Latency	Max	20			—	μ s
	t_{ASP}	Toggle Time During Erase within a Protected Sector	Typ	0			—	μ s
	t_{PSP}	Toggle Time During Programming Within a Protected Sector	Typ	0			—	μ s
	t_{CSW}	Clock Setup Time to WE#	Min	5			—	ns
	t_{WEP}	Noise Pulse Margin on WE#	Max	3			—	ns

Table 20. S29WS512P Erase / Programming Performance (Sheet 1 of 2)

Parameter		Description		54 MHz	66 MHz	80 MHz	108 MHz	Unit
JEDEC	Standard			54 MHz	66 MHz	80 MHz	108 MHz	Unit
	t_{AVAV}	t_{WC} Write Cycle Time	Min	60				ns
	t_{AVWL}	t_{AS} Address Setup Time	Min	Synchronous (Legacy Mode)				ns
				Asynchronous (Legacy Mode)				
				Synchronous (Zero Hold Mode)				
				Asynchronous (Zero Hold Mode)				
	t_{WLAX}	t_{AH} Address Hold Time	Min	Synchronous (Legacy Mode)				ns
				Asynchronous (Legacy Mode)				
				Synchronous (Zero Hold Mode)				
				Asynchronous (Zero Hold Mode)				
	t_{AVDP}	AVD# Low Time	Min	6				ns
	t_{DVWH}	t_{DS} Data Setup Time	Min	20				ns
	t_{WHDX}	t_{DH} Data Hold Time	Min	0				ns
	t_{GHWL}	t_{GHWL} Read Recovery Time Before Write	Min	0				ns
	t_{CAS}	CE# Setup Time to AVD#	Min	0				ns
	t_{WHEH}	t_{CH} CE# Hold Time	Min	0				ns
	t_{WLWH}	t_{WP} Write Pulse Width	Min	25				ns
	t_{WHWL}	t_{WPH} Write Pulse Width High	Min	20				ns
	$t_{SR/W}$	Latency Between Read and Write Operations	Min	0				ns

Table 20. S29WS512P Erase / Programming Performance (Sheet 2 of 2)

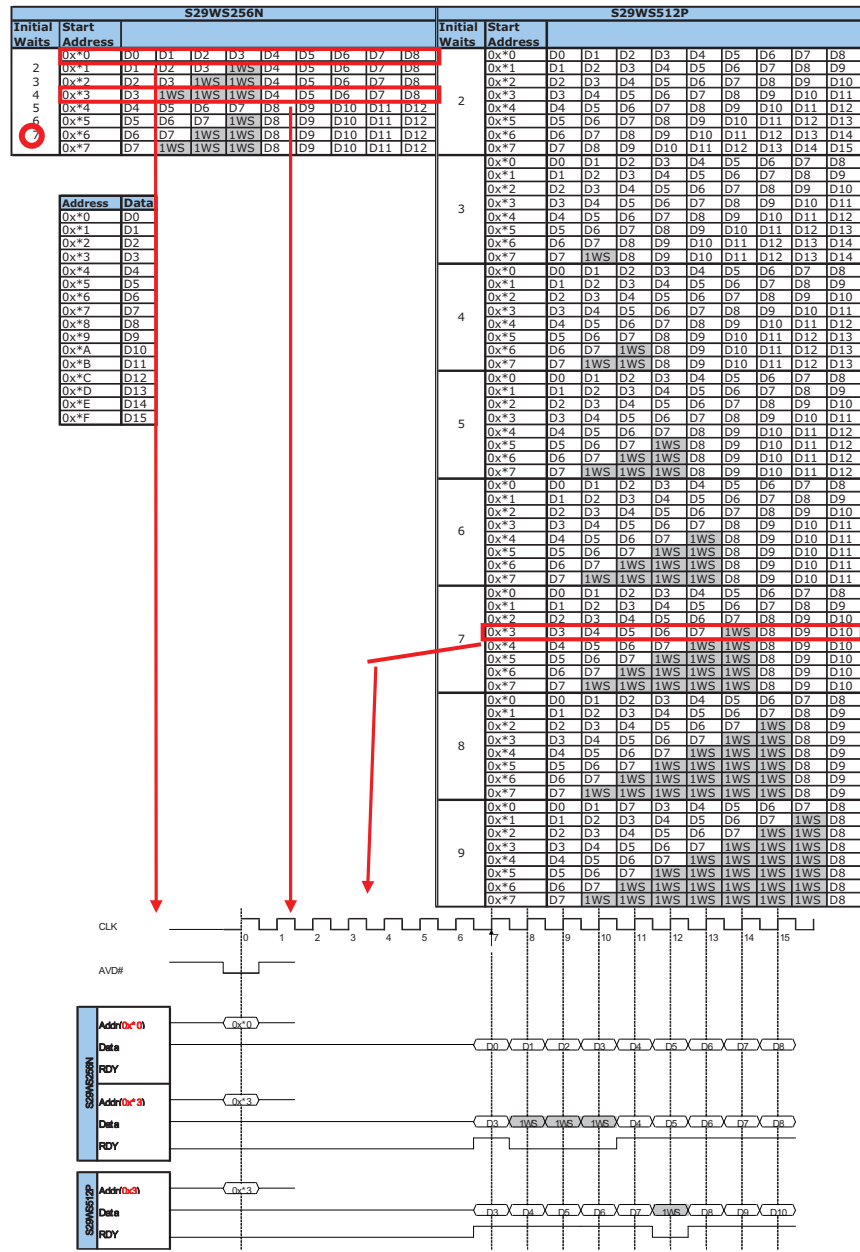
Parameter		Description		54	66	80	108	Unit	
JEDEC	Standard			MHz	MHz	MHz	MHz		
	t_{VID}	V_{ACC} Rise and Fall Time	Min	500				ns	
	t_{VIDS}	V_{ACC} Setup Time (During Accelerated Programming)	Min	1				μ s	
t_{ELWL}	t_{CS}	CE# Setup Time to WE#	Min	4				ns	
	t_{AVSW}	AVD# Setup Time to WE#	Min	4				ns	
	t_{AVHW}	AVD# Hold Time to WE#	Min	4				ns	
	t_{AVSC}	AVD# Setup Time to CLK	Min	Legacy Mode	5	5	5	3	ns
				Zero Hold Mode	6	6	6	6	
	t_{AVHC}	AVD# Hold Time to CLK	Min	Legacy Mode	5	5	5	3	ns
				Zero Hold Mode	0	0	0	0	
	t_{SEA}	Sector Erase Accept Time-out	Min	50				μ s	
	t_{ESL}	Erase Suspend Latency	Min	20				μ s	
	t_{PSL}	Program Suspend Latency	Min	20				μ s	
	t_{ASP}	Toggle Time During Erase within a Protected Sector	Typ	0				μ s	
	t_{PSP}	Toggle Time During Programming Within a Protected Sector	Typ	0				μ s	
	t_{CSW}	Clock Setup Time to WE#	—	—				—	
	t_{WEP}	Noise Pulse Margin on WE#	Max	3				ns	

7 Appendix 2

Table 21. Wait State Requirements

S29WS256N	Max Frequency	S29WS512P
Wait State Requirement		Wait State Requirement
2	0.1 MHz < Freq ≤ 14 MHz	2
3	14 MHz < Freq ≤ 27 MHz	3
4	27 MHz < Freq ≤ 40 MHz	4
5	40 MHz < Freq ≤ 54 MHz	5
6	54 MHz < Freq ≤ 67 MHz	6
7	67 MHz < Freq ≤ 80 MHz	7
—	80 MHz < Freq ≤ 95 MHz	8
—	95 MHz < Freq ≤ 108 MHz	9

Figure 4. Latency Table for Initial Wait



Document History Page

Document Title: AN99114 - S71WS512N to S71WS512P Migration				
Document Number: 001-99114				
Rev.	ECN No.	Orig. of Change	Submission Date	Description of Change
**	–	–	10/02/2006	Initial version
*A	4980662	MSWI	10/22/2015	Updated in Cypress template

Worldwide Sales and Design Support

Worldwide Sales and Design Support

Cypress maintains a worldwide network of offices, solution centers, manufacturers' representatives, and distributors. To find the office closest to you, visit us at [Cypress Locations](#).

Products

Automotive cypress.com/go/automotive
Clocks & Buffers cypress.com/go/clocks
Interface cypress.com/go/interface
Lighting & Power Control cypress.com/go/powerpsoc
Memory cypress.com/go/memory
PSoC cypress.com/go/psoc
Touch Sensing cypress.com/go/touch
USB Controllers cypress.com/go/USB
Wireless/Rf cypress.com/go/wireless

PSoC® Solutions

psoc.cypress.com/solutions
PSoC 1 | PSoC 3 | PSoC 4 | PSoC 5LP

Cypress Developer Community

[Community](#) | [Forums](#) | [Blogs](#) | [Video](#) | [Training](#)

Technical Support

cypress.com/go/support

MirrorBit®, MirrorBit® Eclipse™, ORNAND™, EcoRAM™ and combinations thereof, are trademarks and registered trademarks of Cypress Semiconductor Corp. All other trademarks or registered trademarks referenced herein are the property of their respective owners.

	Cypress Semiconductor 198 Champion Court San Jose, CA 95134-1709	Phone: 408-943-2600 Fax: 408-943-4730 Website: www.cypress.com
---	---	--

© Cypress Semiconductor Corporation, 2006-2015. The information contained herein is subject to change without notice. Cypress Semiconductor Corporation assumes no responsibility for the use of any circuitry other than circuitry embodied in a Cypress product. Nor does it convey or imply any license under patent or other rights. Cypress products are not warranted nor intended to be used for medical, life support, life saving, critical control or safety applications, unless pursuant to an express written agreement with Cypress. Furthermore, Cypress does not authorize its products for use as critical components in life-support systems where a malfunction or failure may reasonably be expected to result in significant injury to the user. The inclusion of Cypress products in life-support systems application implies that the manufacturer assumes all risk of such use and in doing so indemnifies Cypress against all charges.

This Source Code (software and/or firmware) is owned by Cypress Semiconductor Corporation (Cypress) and is protected by and subject to worldwide patent protection (United States and foreign), United States copyright laws and international treaty provisions. Cypress hereby grants to licensee a personal, non-exclusive, non-transferable license to copy, use, modify, create derivative works of, and compile the Cypress Source Code and derivative works for the sole purpose of creating custom software and or firmware in support of licensee product to be used only in conjunction with a Cypress integrated circuit as specified in the applicable agreement. Any reproduction, modification, translation, compilation, or representation of this Source Code except as specified above is prohibited without the express written permission of Cypress.

Disclaimer: CYPRESS MAKES NO WARRANTY OF ANY KIND, EXPRESS OR IMPLIED, WITH REGARD TO THIS MATERIAL, INCLUDING, BUT NOT LIMITED TO, THE IMPLIED WARRANTIES OF MERCHANTABILITY AND FITNESS FOR A PARTICULAR PURPOSE. Cypress reserves the right to make changes without further notice to the materials described herein. Cypress does not assume any liability arising out of the application or use of any product or circuit described herein. Cypress does not authorize its products for use as critical components in life-support systems where a malfunction or failure may reasonably be expected to result in significant injury to the user. The inclusion of Cypress' product in a life-support systems application implies that the manufacturer assumes all risk of such use and in doing so indemnifies Cypress against all charges.

Use may be limited by and subject to the applicable Cypress software license agreement.