

External Circuit for PCMPWM Sound System with TRAVEO™ MCUs

About this document

Scope and purpose

AN218589 explains how to design an external circuit for the PCMPWM sound system with TRAVEO™ family microcontrollers.

Associated Part Family

[TRAVEO™ Family S6J3200 Series](#)

Table of contents

| | |
|---|-----------|
| About this document..... | 1 |
| Table of contents..... | 1 |
| 1 Introduction | 2 |
| 2 Sound system | 3 |
| 3 PCMPWM | 4 |
| 3.1 Overview..... | 4 |
| 3.2 Features..... | 4 |
| 3.3 Operation modes..... | 4 |
| 4 External circuit | 5 |
| 4.1 LPF | 5 |
| 4.2 Gain control resistor..... | 6 |
| 4.3 Input coupling capacitor..... | 6 |
| 4.4 Class-AB AMP | 6 |
| 5 External circuit details..... | 7 |
| 5.1 Differential connection | 7 |
| 5.2 Single-ended connection..... | 7 |
| 5.3 POP noise solution | 9 |
| 5.4 Gain control | 10 |
| 6 Example evaluation using S6J328CLS microcontroller | 11 |
| 7 Related documents | 12 |
| Revision history..... | 13 |

Introduction

1 Introduction

An external circuit is required to implement the Pulse-Code Modulated data samples into Pulse-Width Modulated signals (PCMPWM) sound system in the TRAVEO™ family of microcontrollers. This application note details how to realize the PCMPWM sound system characteristics of high-quality sound, small mount area, low cost, and low current in your design of the external circuit.

Sound system

2 Sound system

This section contains an overview of the TRAVEO™ family sound system with PCMPWM (**Figure 1**). The external circuit is necessary to convert a digital output into an analog output.

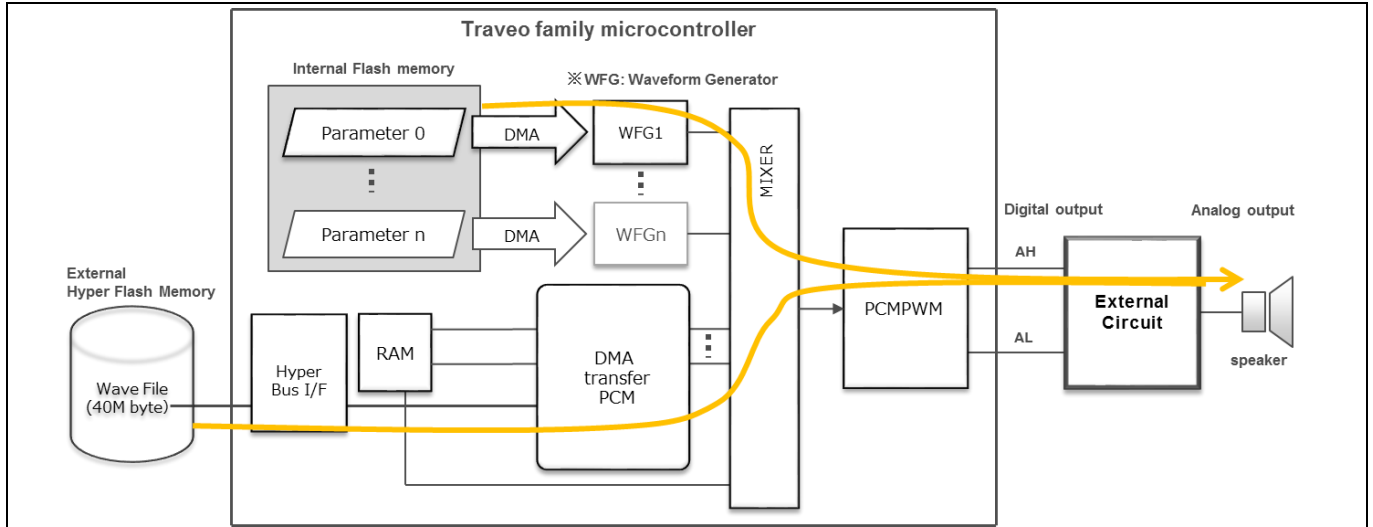


Figure 1 TRAVEO™ Family sound system diagram

PCMPWM**3 PCMPWM****3.1 Overview**

The PCMPWM module converts pulse-code modulated (PCM) data samples into pulse-width modulated (PWM) signals. This module provides simple audio output capabilities.

3.2 Features

- Two separate channels for stereo audio output
- Optional mono audio output mode
- Output resolution of 12 bits at a sampling frequency of 48.8 kHz (using a 200-MHz PWM clock)
- Two modes of operation for different speaker interfaces:
 - Low-pass filter output mode
 - Simplified H-bridge output mode
- Support for DMA transfer of PCM data samples using the DMA block transfer mode
- FIFO input buffer for PCM samples, with a depth of 24 bits
- Programmable clock divider for PWM cycle time
- Optional output of silence signals in debug mode and normal mode

3.3 Operation modes

The PCMPWM module supports three general modes of operation as follows. Each mode is dedicated to a specific type of connection to the speaker. The operation mode is configured in the MODE bits of the CONTROL register (PCMPWMI_CONTROL:MODE). See the Register TRM for more information.

- **Low-pass filter mode:** In this mode, only a single output is used. The output drives an audio amplifier with a low-pass filter connected in between.
- **Simplified H-bridge mode:** In this mode, two outputs (differential) are used to drive a speaker. A pair of complementary emitter followers is connected to each output. In this mode, the signal at the PCMPWM_AL output is the inverted PCMPWM_AH signal.

The PCMPWM signal is AH0 or AL0 with a differential connection and AH0 with a single-end connection. The official signal name follows the specifications of each microcontroller

Refer to the specifications of each microcontroller for a register and the setting to use.

External circuit

4 External circuit

The external circuit is high-quality, low-current, and low-cost, and occupies a small mount area.

The general blocks of the PCMPWM external circuit that this application note recommends are shown in **Figure 2**. The main components are as follows:

- MCU (TRAVEO™ family)
PCMPWM output
- Low-pass filter (LPF)
2-layer RC filter: 2 kΩ + 8200 pF, 2 kΩ + 1000 pF, cutoff frequency = 5.8 kHz
- Gain control resistor
Recommended value is from 150 kΩ to 680 kΩ. Refer to [section 5.4](#).
- Input Coupling Capacitor
0.47 μF: Depends on the amplifier device
- Class-AB AMP
The device of the Class-AB amplifier. This application note recommends using Rohm BD78324EFJ-M.
- Speaker
The connected speaker depends on the amplifier device; an example is an 8-Ω impedance speaker

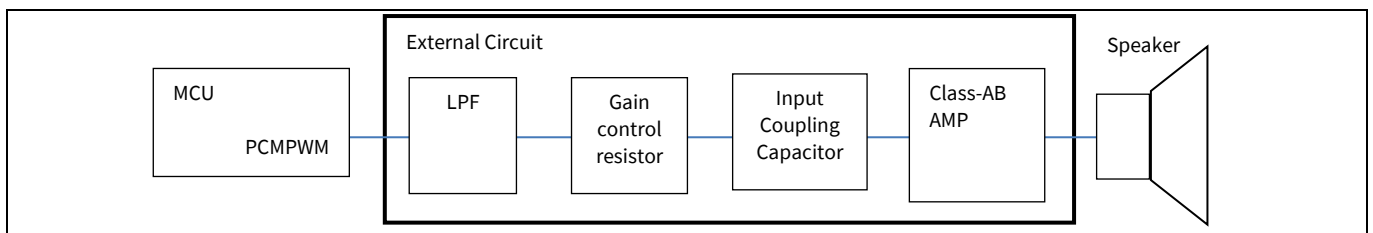


Figure 2 External circuit general blocks

4.1 LPF

The characteristics of the LPF to use with this application note are as follows.

The frequency characteristic of LPF is shown in **Figure 4**.

Table 1 Characteristics of the LPF to use with this application note

| Content | Value |
|-------------------------|---------------------------------------|
| First RC filter | 2 kΩ, 8200 pF |
| Second RC filter | 2 kΩ, 1000 pF |
| Cutoff frequency | 5.8 kHz |
| PWM carrier attenuation | -55 dB ($f_{PWM} = 48 \text{ kHz}$) |

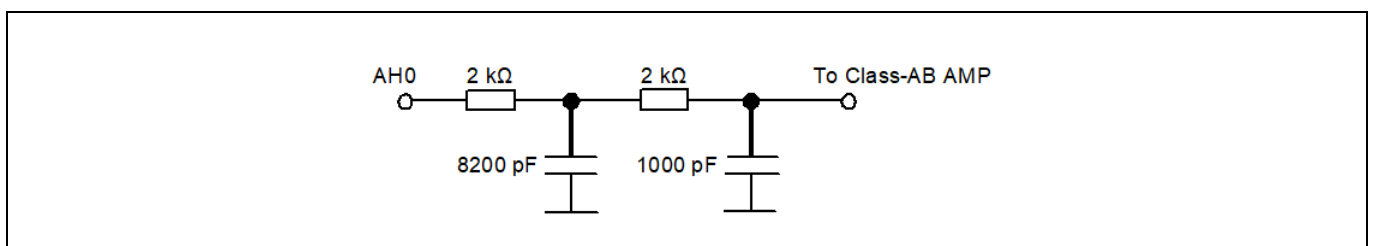


Figure 3 Characteristics of the LPF to use with this application note

External circuit

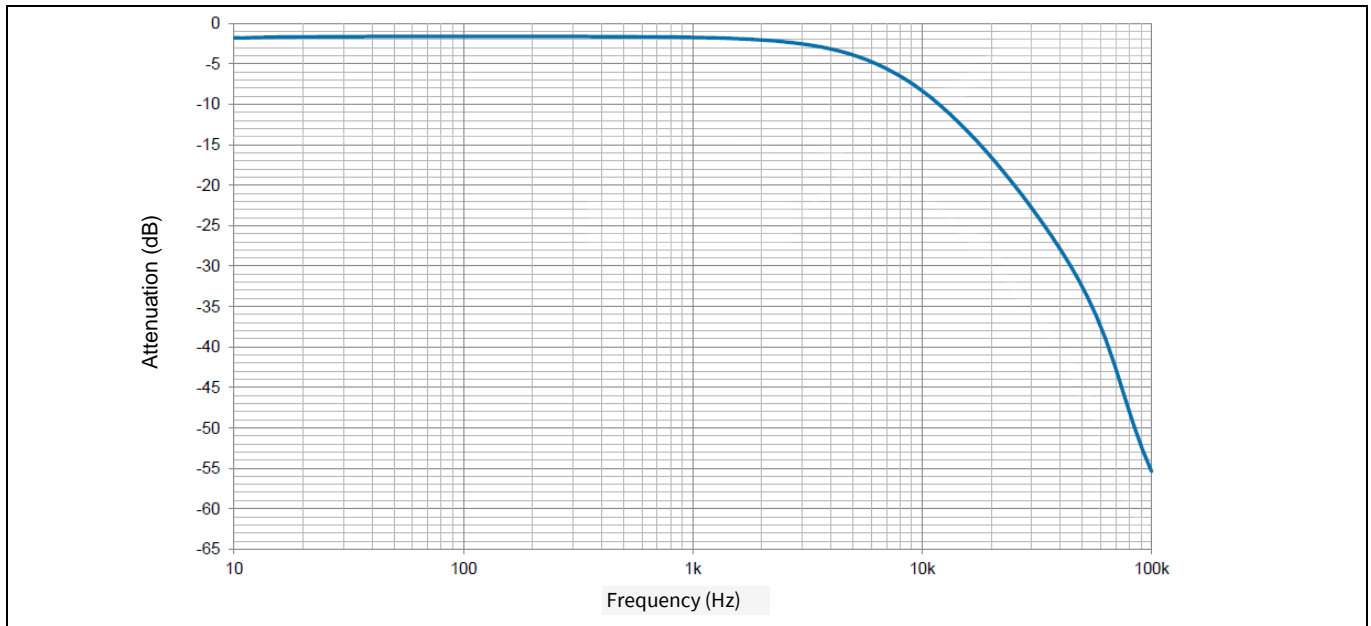


Figure 4 LPF (2 layer RC filter) frequency characteristic

4.2 Gain control resistor

The value of the gain control resistor depends on the amplifier IC used and the speaker to connect. You must adjust the gain control resistor value based on the target volume for your system.

In this application note, the recommended value of the gain resistor is from 150 kΩ to 680 kΩ.

4.3 Input coupling capacitor

The value of the Input Coupling Capacitor is according to the datasheet of the AMP device. Verify for your system. For example, for a Rohm device, the value of the Input Coupling Capacitor is 0.47 μF.

4.4 Class-AB AMP

Rohm BD78324EFJ-M is a Class-AB monaural speaker amplifier.

Input: differential or single-ended

Output: positive/negative speaker out

External circuit details

5 External circuit details

The following are the details of the external circuit for the PCMPWM sound system.

5.1 Differential connection

For a differential connection, the PCMPWM terminal of the microcontroller uses two pins with the half-bridge mode, as required for noise tolerance. The schematic is shown in [Figure 5](#).

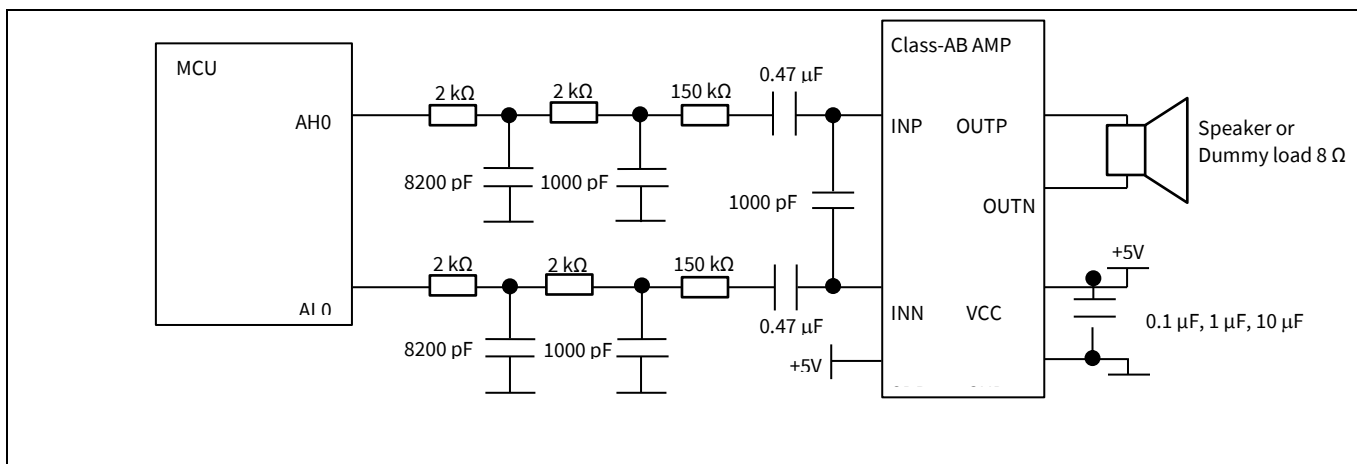


Figure 5 Differential connection

Ensure that all capacitors have a low equivalent series resistance (ESR). Example values are 0.1 μF and 1 μF and 10 μF.

5.2 Single-ended connection

For a single-ended connection, the PCMPWM terminal of the microcomputer uses only one pin. Therefore, the circuit is simplified, reducing the cost. In addition, the sound quality is not affected. The schematic is shown in [Figure 6](#).

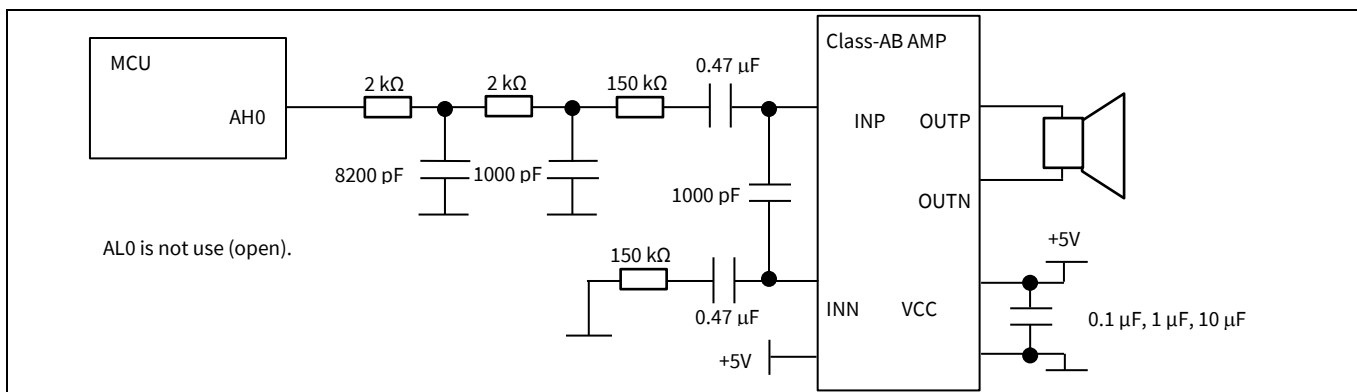


Figure 6 Single-end connection

External circuit details

In case of single-ended connection, AL0 is not used. You can use GPIO instead of AL0 such as SDB pin. Ensure that all capacitors have a low-ESR value. Example values are 0.1 μF and 1 μF and 10 μF .

The waveform of the input and output is shown in **Figure 7**.

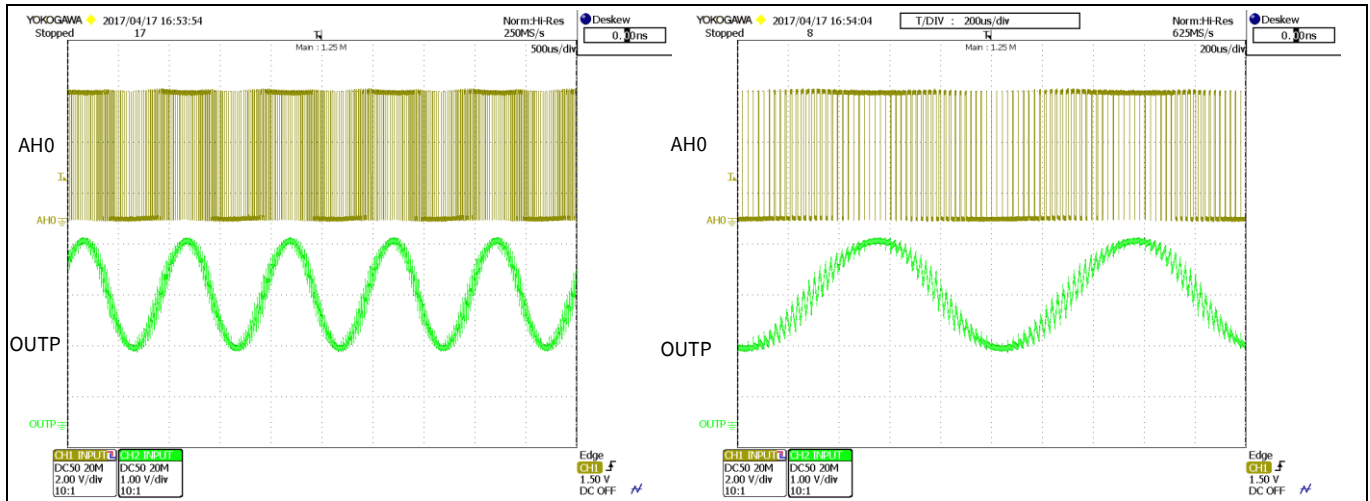


Figure 7 Input and output

However, it has the Pop Noise issue at power on. In this case, SDB is fixed high.

The waveform is as shown in **Figure 8**.

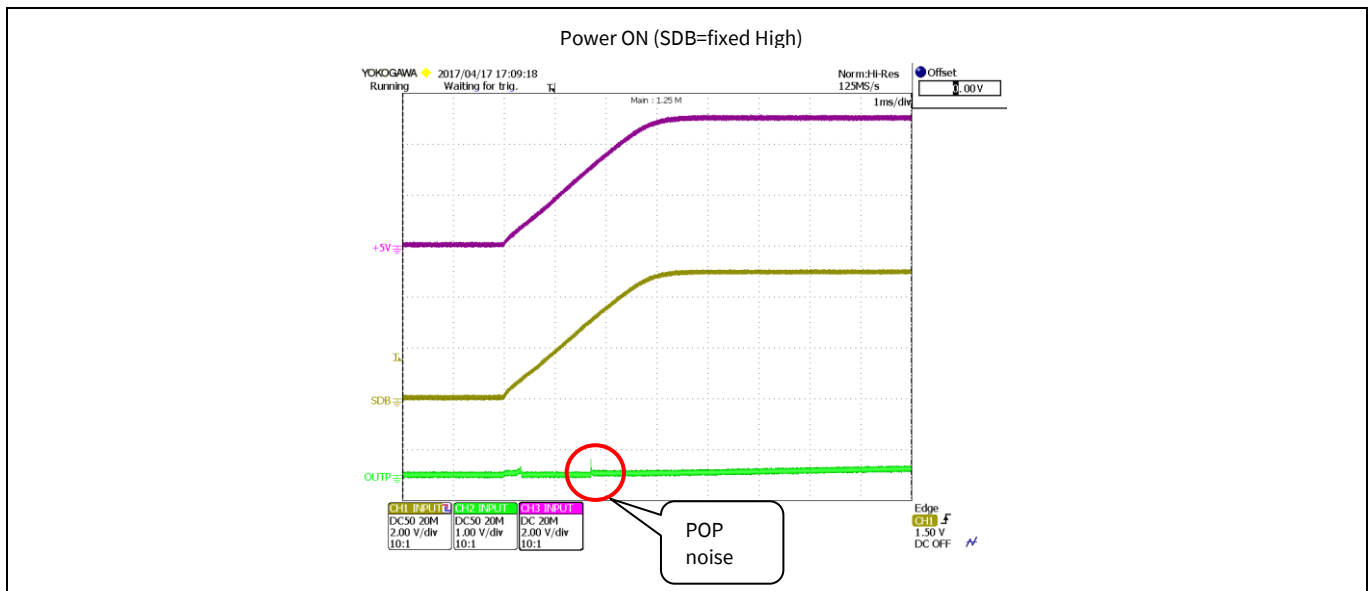


Figure 8 POP noise

External circuit details

5.3 POP noise solution

In the circuit of the single-ended connection, the gain control resistor is determined by the pop noise solution. The value of the gain control resistor is the same as on the INP pin side. The schematic is shown in [Figure 9](#).

In addition, the gain control resistor is controlled via an enable pin of the amplifier in the GPIO of the MCU after a power supply is turned on.

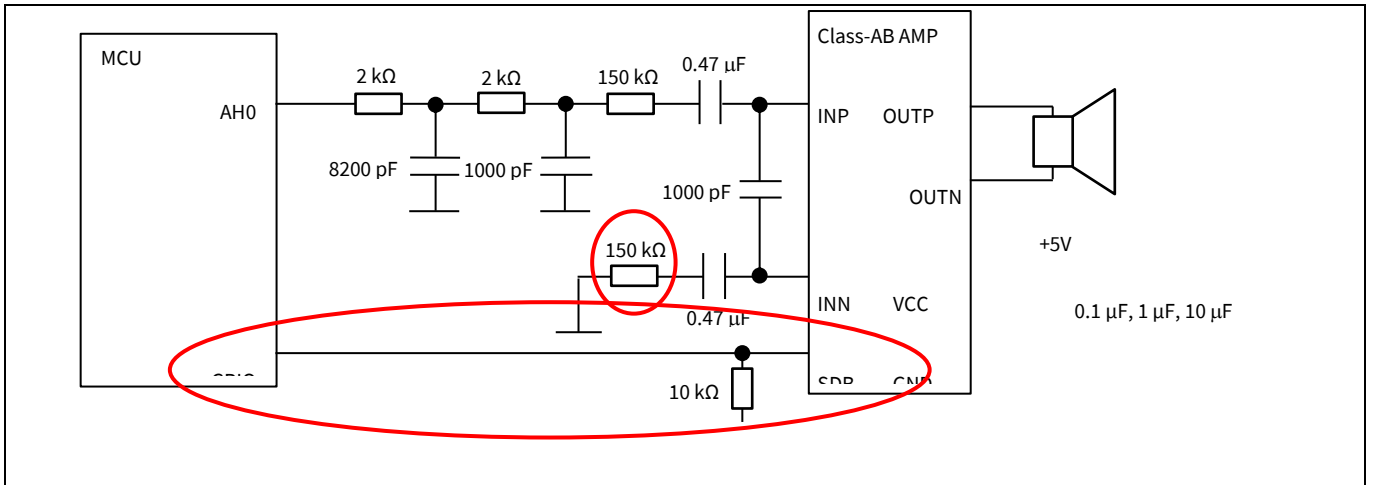


Figure 9 Circuit of POP noise solution

When you are using a single-ended input, put a resistor before an AC cut capacitor for gain limits; also put one on the signal terminal side that you are not using for signal input.

Only when you are using an AC cut capacitor is there a possibility of pop noise cancellation by the EN control (SDB terminal EN of BD78324EFJ-M).

The waveform is as shown in [Figure 10](#).

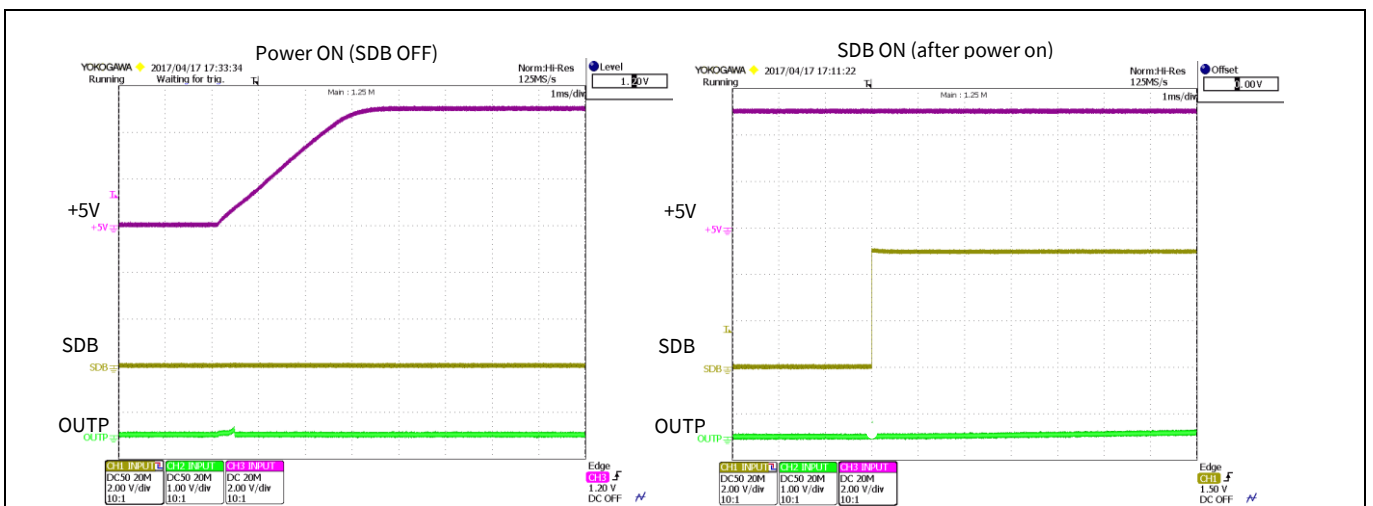


Figure 10 Waveform of POP noise solution

External circuit details

5.4 Gain control

The value of the gain control resistor depends on the amplifier IC being used and the speaker to be connected. You may need to adjust this value depending on the target volume.

In this application note, the recommended value of the gain resistor is from 150 kΩ to 680 kΩ. The frequency characteristics of the 680-kΩ and 150-kΩ gain control resistors are shown in **Figure 11**. You must adjust the value in accordance with your system evaluation result.

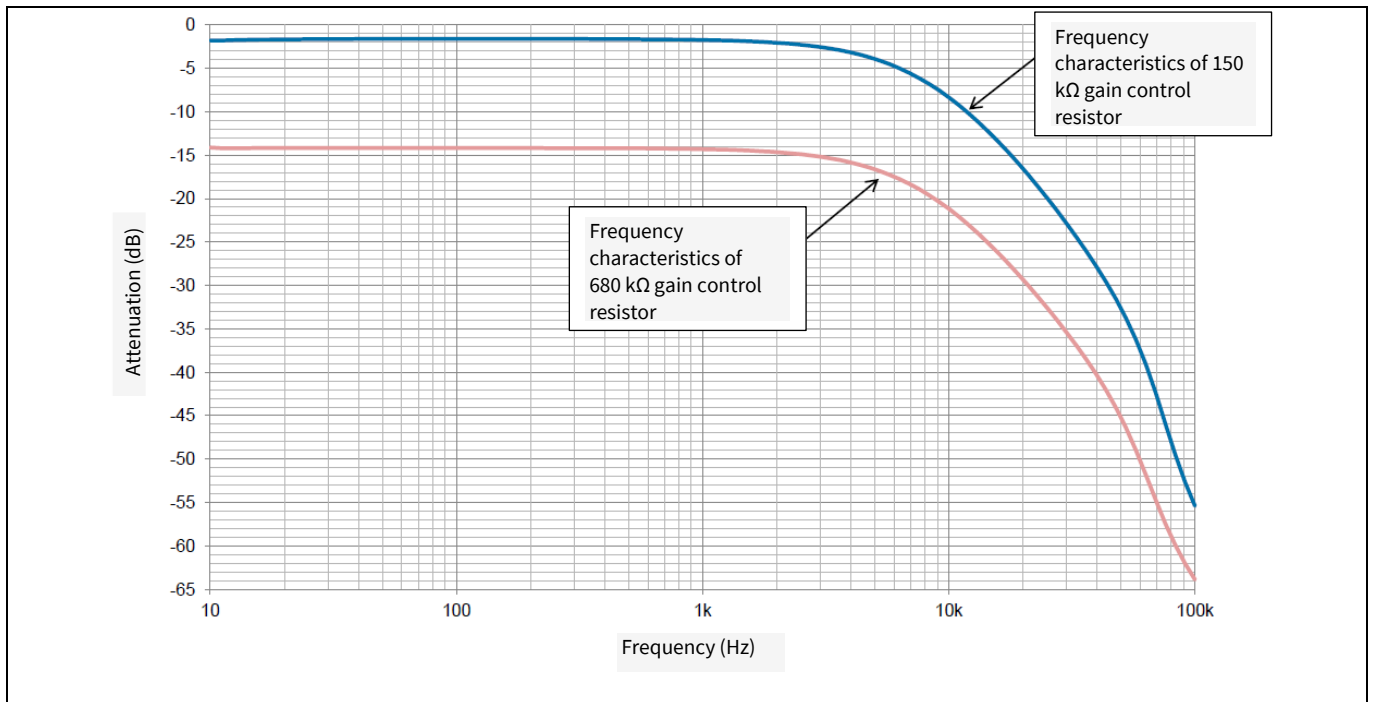


Figure 11 Output attenuation-frequency properties with gain control

Example evaluation using S6J328CLS microcontroller

6 Example evaluation using S6J328CLS microcontroller

The following example demonstrates evaluating the most suitable external circuit (using the S6J328 microcontroller) and comparing the sound characteristics of various external circuits attached to the PCMPWM sound system (Figure 9). Evaluation results are summarized in Table 2.

Table 2 Result of PCMPWM external circuit evaluation

| Type | Single-Ended Connection Class-AB Amplifier RC Filter | Remarks |
|-------------------------------|--|---|
| Sound characteristic THD+N | -59.8 dB | Terminating resistor: 8 Ω SWFG=1 kHz Temperature condition: Room temp |
| SNR | 70.5 dB | |
| Dynamic range | 116.65 dB | |
| Implementation area | ROHM BD78324EFJ-M (SOP-8) LPFx1 | |
| Power consumption | 150 mA max | |
| Measuring instrument | Audio Precision SYS-2722 | |

The external circuit which this application note recommends realizes high-quality sound, a small mount area, low cost, and low current.

Figure 12 shows the test environment.

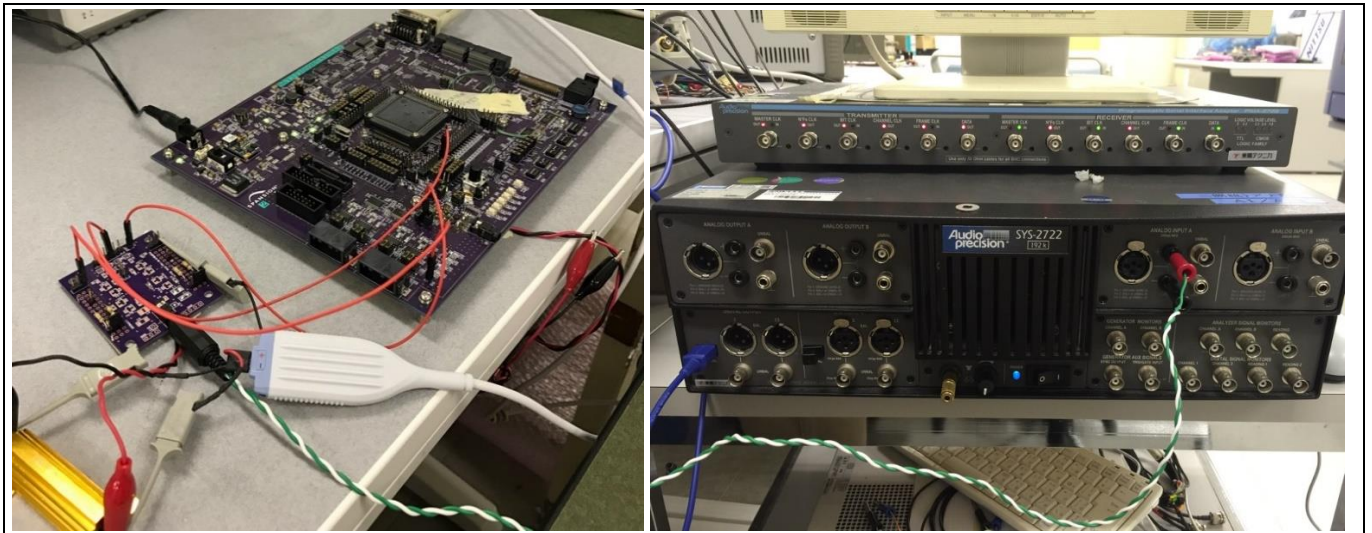


Figure 12 Evaluation environment

Related documents

7 Related documents

- [S6J3200 Series Hardware Manual](#) (Doc. No. 002-04852)
- [S6J3200 Series Datasheet](#) (Doc. No. 002-05682)
- BD78324EFJ-M Datasheet (Rohm)

Revision history

Revision history

| Document version | Date of release | Description of changes |
|------------------|-----------------|-------------------------------|
| ** | 2017-08-31 | New application note. |
| *A | 2021-06-28 | Updated to Infineon template. |

Trademarks

All referenced product or service names and trademarks are the property of their respective owners.

Edition 2021-06-28

Published by

Infineon Technologies AG

81726 Munich, Germany

© 2021 Infineon Technologies AG.

All Rights Reserved.

Do you have a question about this document?

Go to www.cypress.com/support

Document reference

002-18589 Rev. *A

IMPORTANT NOTICE

The information contained in this application note is given as a hint for the implementation of the product only and shall in no event be regarded as a description or warranty of a certain functionality, condition or quality of the product. Before implementation of the product, the recipient of this application note must verify any function and other technical information given herein in the real application. Infineon Technologies hereby disclaims any and all warranties and liabilities of any kind (including without limitation warranties of non-infringement of intellectual property rights of any third party) with respect to any and all information given in this application note.

The data contained in this document is exclusively intended for technically trained staff. It is the responsibility of customer's technical departments to evaluate the suitability of the product for the intended application and the completeness of the product information given in this document with respect to such application.

For further information on the product, technology, delivery terms and conditions and prices please contact your nearest Infineon Technologies office (www.infineon.com).

WARNINGS

Due to technical requirements products may contain dangerous substances. For information on the types in question please contact your nearest Infineon Technologies office.

Except as otherwise explicitly approved by Infineon Technologies in a written document signed by authorized representatives of Infineon Technologies, Infineon Technologies' products may not be used in any applications where a failure of the product or any consequences of the use thereof can reasonably be expected to result in personal injury.