



Please note that Cypress is an Infineon Technologies Company.

The document following this cover page is marked as “Cypress” document as this is the company that originally developed the product. Please note that Infineon will continue to offer the product to new and existing customers as part of the Infineon product portfolio.

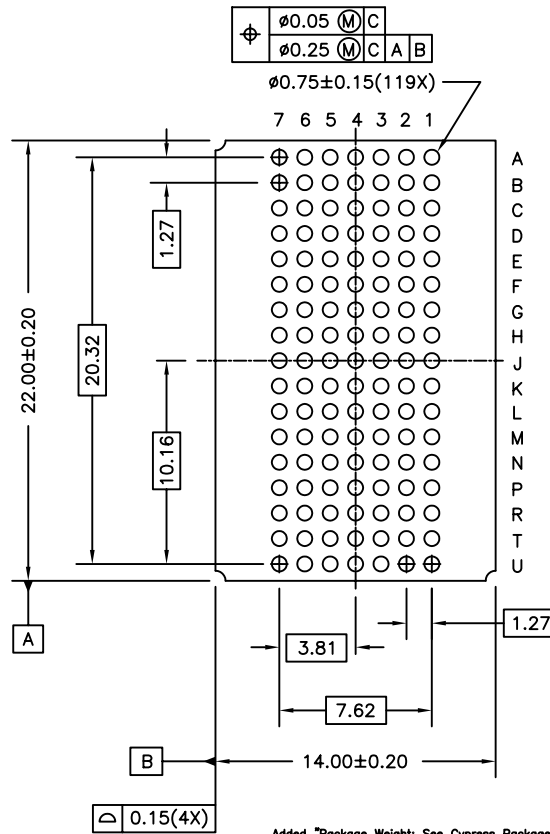
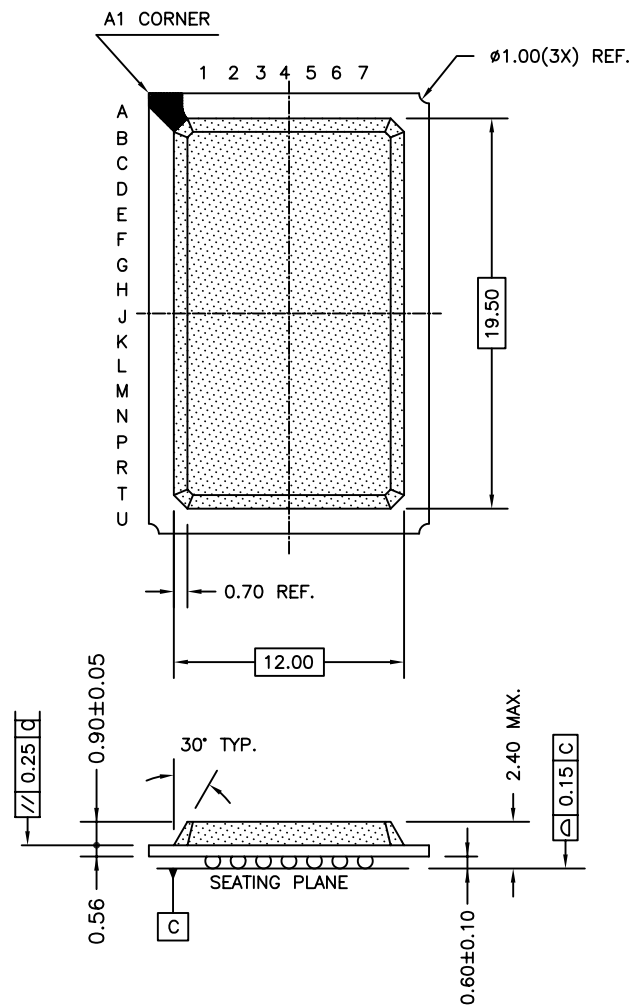
Continuity of document content

The fact that Infineon offers the following product as part of the Infineon product portfolio does not lead to any changes to this document. Future revisions will occur when appropriate, and any changes will be set out on the document history page.

Continuity of ordering part numbers

Infineon continues to support existing part numbers. Please continue to use the ordering part numbers listed in the datasheet for ordering.

REVISIONS						
PAGE	ZONE	REV	ECN	DESCRIPTION	DATE	APPROVED
1	-	**	64836	NEW RELEASE	10/20/99	N/A
1	-	*A	100318	CHG. TOLERANCE/ CHG. DIM. ON PKG. THICK DELETE DIM. BY INCHES / CHG. TITLE	07/06/00	N/A
1	-	*B	118433	ADD MOLD CAP & SUBSTRATE DIM./ CHG. LEAD COPLANARITY, BALL HEIGHT & BALL DIA. TOL.	08/29/02	N/A
1	-	*C	2820579	Changed template and Title from 119LD PBGA (14x22x2.4mm) PKG. OUTL. to PACKAGE OUTLINE, 119LD PBGA 14X22X2.4 MM BG119.	12/09/09	QAD
1	-	*D	3740180	Added "Package Weight: See Cypress Package Material Declaration Datasheet (PMDD) posted on the Cypress web".	09/11/12	QAD



Added "Package Weight: See Cypress Package Material Declaration Datasheet (PMDD) posted on the Cypress web".

NOTE:
Package Weight: See Cypress Package Material Declaration Datasheet (PMDD) posted on the Cypress web.

THIS DRAWING CONTAINS INFORMATION WHICH IS THE PROPRIETARY PROPERTY OF CYPRESS SEMICONDUCTOR CORPORATION. THIS DRAWING IS RECEIVED IN CONFIDENCE AND ITS CONTENTS MAY NOT BE DISCLOSED WITHOUT WRITTEN CONSENT OF CYPRESS SEMICONDUCTOR CORPORATION.

UNLESS OTHERWISE SPECIFIED ALL DIMENSIONS ARE IN MILLIMETERS STANDARD TOLERANCES ARE: DECIMALS .XX ± 0.05 .XXX ± .XXXX + MATERIAL N/A FINISH N/A	DESIGNED BY HTN	DATE 08/29/02	 CYPRESS Company Confidential								
	DRAWN BY HTN	DATE 08/29/02									
	CHECKED BY EDCA	DATE 09/11/12									
	APPROVED BY QAD	DATE 09/11/12									
	APPROVED BY RODP	DATE 09/11/12	TITLE PACKAGE OUTLINE, 119LD PBGA 14X22X2.4 MM BG119								
	APPROVED BY N/A	DATE N/A	<table border="1"> <tr> <td>SIZE A</td> <td>PART NO. BG119</td> <td>DWG NO. 51-85115</td> <td>REV *D</td> </tr> <tr> <td colspan="2">SCALED TO FIT</td> <td>N/A</td> <td>SHEET 1 OF 1</td> </tr> </table>	SIZE A	PART NO. BG119	DWG NO. 51-85115	REV *D	SCALED TO FIT		N/A	SHEET 1 OF 1
SIZE A	PART NO. BG119	DWG NO. 51-85115	REV *D								
SCALED TO FIT		N/A	SHEET 1 OF 1								