



Please note that Cypress is an Infineon Technologies Company.

The document following this cover page is marked as “Cypress” document as this is the company that originally developed the product. Please note that Infineon will continue to offer the product to new and existing customers as part of the Infineon product portfolio.

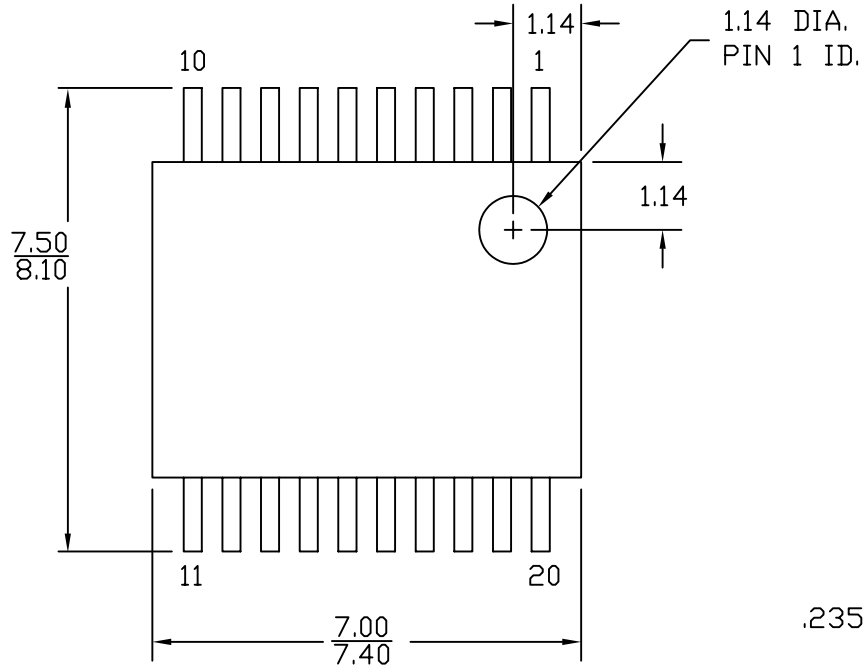
Continuity of document content

The fact that Infineon offers the following product as part of the Infineon product portfolio does not lead to any changes to this document. Future revisions will occur when appropriate, and any changes will be set out on the document history page.

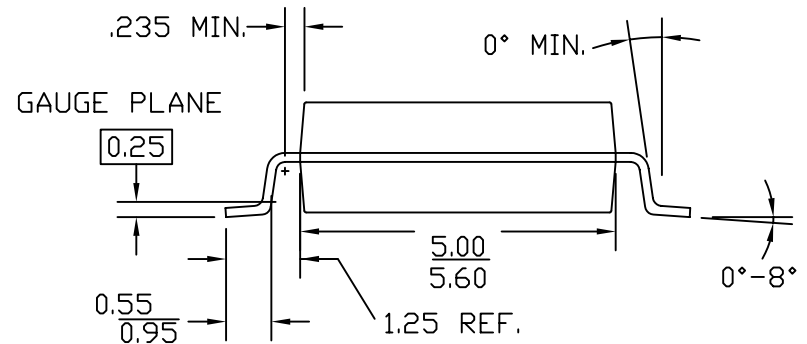
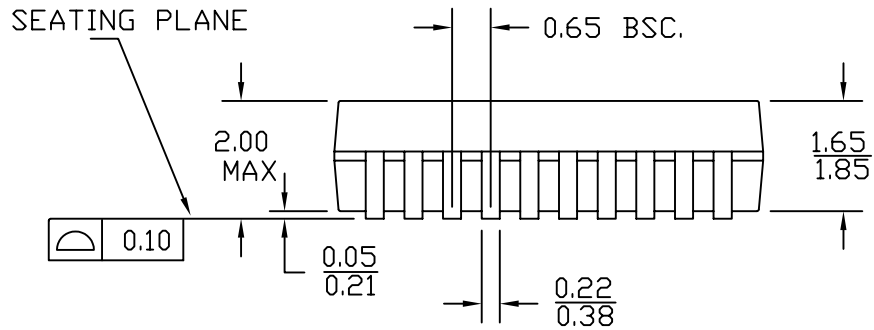
Continuity of ordering part numbers

Infineon continues to support existing part numbers. Please continue to use the ordering part numbers listed in the datasheet for ordering.

20 Lead (5.3mm) SSOP



DIMENSIONS IN MILLIMETERS MIN.
MAX.



TITLE PACKAGE OUTLINE, 20LD SSOP 210 MILS 020.21


SPEC NO. 51-85077 REV *F

SCALE SHEET 1 OF 2

THIS DRAWING CONTAINS INFORMATION WHICH IS THE PROPRIETARY PROPERTY OF CYPRESS SEMICONDUCTOR CORPORATION. THIS DRAWING IS RECEIVED IN CONFIDENCE AND ITS CONTENTS MAY NOT BE DISCLOSED WITHOUT WRITTEN CONSENT OF CYPRESS SEMICONDUCTOR CORPORATION.

PACKAGE CODE(S)

REVISIONS						
PAGE	ZONE	REV	ECN	DESCRIPTION	DATE	APPROVED
ALL	-	**	47446	NEW RELEASE	11/21/96	N/A
ALL	-	*A	47613	ADD DIMENSION NOTE	12/11/96	N/A
ALL	-	*B	49424	CHG. TITLE/ ADD LEAD COPLANARITY	06/11/97	N/A
ALL	-	*C	111254	DEL TOP BODY WIDTH DIM / ADD BOTTOM DIM. CHG. DIMENSION IN CONFORMANCE TO OSE PKG. OUTLINE DWG	10/25/01	N/A
ALL	-	*D	2835564	Changed template, & title from 20LD (210 MIL) SSOP PKG OUTLINE to PACKAGE OUTLINE, 20LD SSOP 210 MILS 020.21.	12/28/09	QAD
ALL	-	*E	3230060	NO CHANGE. SUNSET REVIEW.	04/16/11	TSV
ALL	-	*F	4585887	Sunset Review, Changed drawing template.	12/03/14	QAD

 CYPRESS Company Confidential	
TITLE PACKAGE OUTLINE, 20LD SSOP 210 MILS 020.21	
SPEC NO. 51-85077	REV *F
SCALE	SHEET 2 OF 2

THIS DRAWING CONTAINS INFORMATION WHICH IS THE PROPRIETARY PROPERTY OF CYPRESS SEMICONDUCTOR CORPORATION. THIS DRAWING IS RECEIVED IN CONFIDENCE AND ITS CONTENTS MAY NOT BE DISCLOSED WITHOUT WRITTEN CONSENT OF CYPRESS SEMICONDUCTOR CORPORATION.

PACKAGE CODE(S)

1 2 3 4 5 6

A

A

B

B

C

C

D

D

1 2 3 4 5 6