



Please note that Cypress is an Infineon Technologies Company.

The document following this cover page is marked as “Cypress” document as this is the company that originally developed the product. Please note that Infineon will continue to offer the product to new and existing customers as part of the Infineon product portfolio.

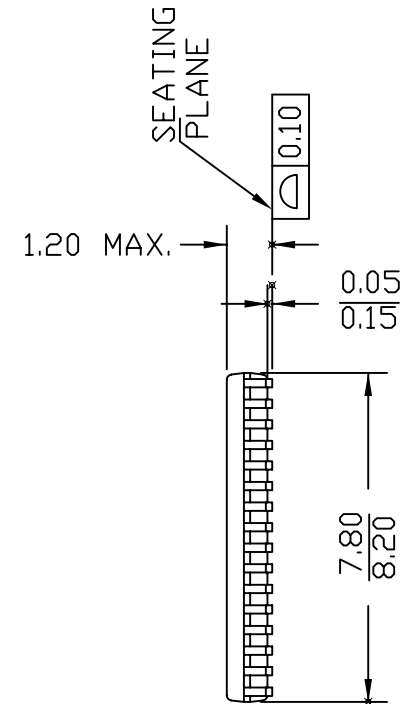
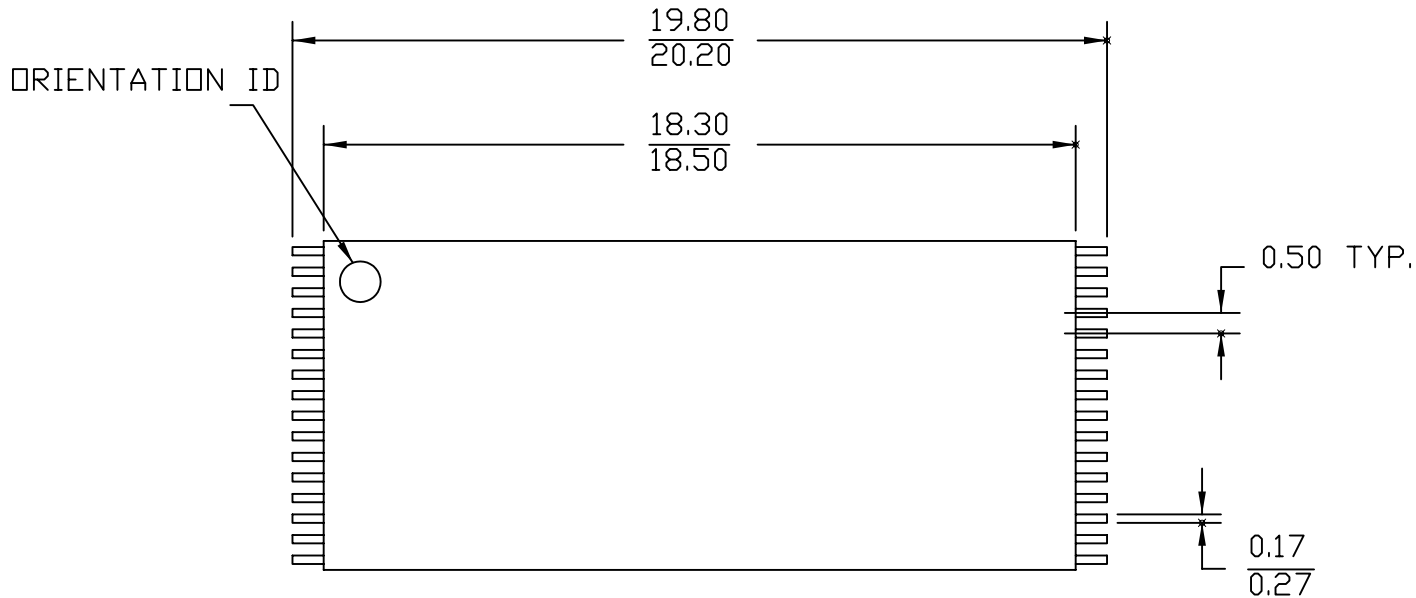
Continuity of document content

The fact that Infineon offers the following product as part of the Infineon product portfolio does not lead to any changes to this document. Future revisions will occur when appropriate, and any changes will be set out on the document history page.

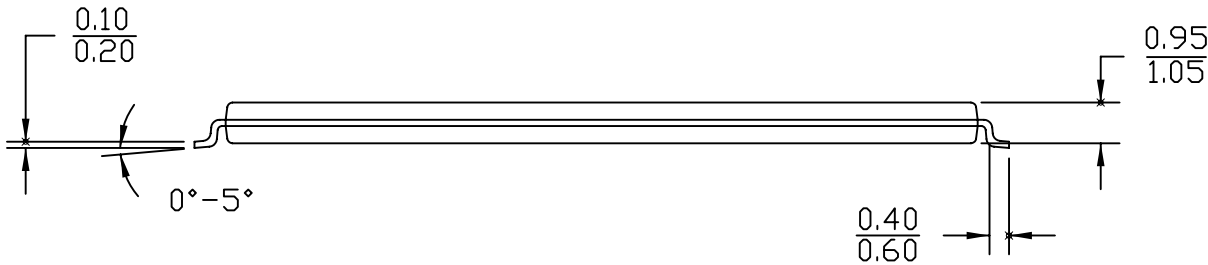
Continuity of ordering part numbers

Infineon continues to support existing part numbers. Please continue to use the ordering part numbers listed in the datasheet for ordering.

32 Lead TSOP I 8 X 20 mm - STANDARD




DIMENSION IN MM
MIN.
MAX.



THIS DRAWING CONTAINS INFORMATION WHICH IS THE PROPRIETARY PROPERTY OF CYPRESS SEMICONDUCTOR CORPORATION. THIS DRAWING IS RECEIVED IN CONFIDENCE AND ITS CONTENTS MAY NOT BE DISCLOSED WITHOUT WRITTEN CONSENT OF CYPRESS SEMICONDUCTOR CORPORATION.

PACKAGE CODE(S) Z32R

 CYPRESS Company Confidential	
TITLE PACKAGE OUTLINE, 32LD TSOP I 8X20X1.0 MM Z32R	
SPEC NO. 51-85056	REV *G
SCALED TO FIT	N/A
SHEET 1 OF 2	

Rev.	ECN No.	Origin of Change	Description of Change
**	689		NEW RELEASE
*A	47126		CHG. DIM. ON LEAD WIDTH, STAND OFF. CHG. TITLE
*B	49405		CHG. TITLE/ ADD LEAD COPLANARITY
*C	66392		REMOVE THE INCH UNIT ON DIMENSIONS
*D	103906		REMOVE PIN NUMBER
*E	2851411		Changed template, & title from 32LD (8X20MM) TSOP I PKG OUTLINE to PACKAGE OUTLINE, 32LD TSOP I 8X20X1.0 MM Z32.
*F	3159033		NO CHANGE
*G	4279842	KTQAD/ ROWI	SUNSET REVIEW. CHANGED DRAWING TEMPLATE. UPDATED TITLE AND PACKAGE CODE Z32 to Z32R.



TITLE
PACKAGE OUTLINE, 32LD TSOP I 8X20X1.0 MM
Z32R

SPEC NO. 51-85056 REV *G

SCALED TO FIT N/A SHEET 2 OF 2

THIS DRAWING CONTAINS INFORMATION WHICH IS THE PROPRIETARY PROPERTY OF CYPRESS SEMICONDUCTOR CORPORATION. THIS DRAWING IS RECEIVED IN CONFIDENCE AND ITS CONTENTS MAY NOT BE DISCLOSED WITHOUT WRITTEN CONSENT OF CYPRESS SEMICONDUCTOR CORPORATION.

PACKAGE CODE(S) Z32R

1

2

3

4

5

6