



**Please note that Cypress is an Infineon Technologies Company.**

The document following this cover page is marked as “Cypress” document as this is the company that originally developed the product. Please note that Infineon will continue to offer the product to new and existing customers as part of the Infineon product portfolio.

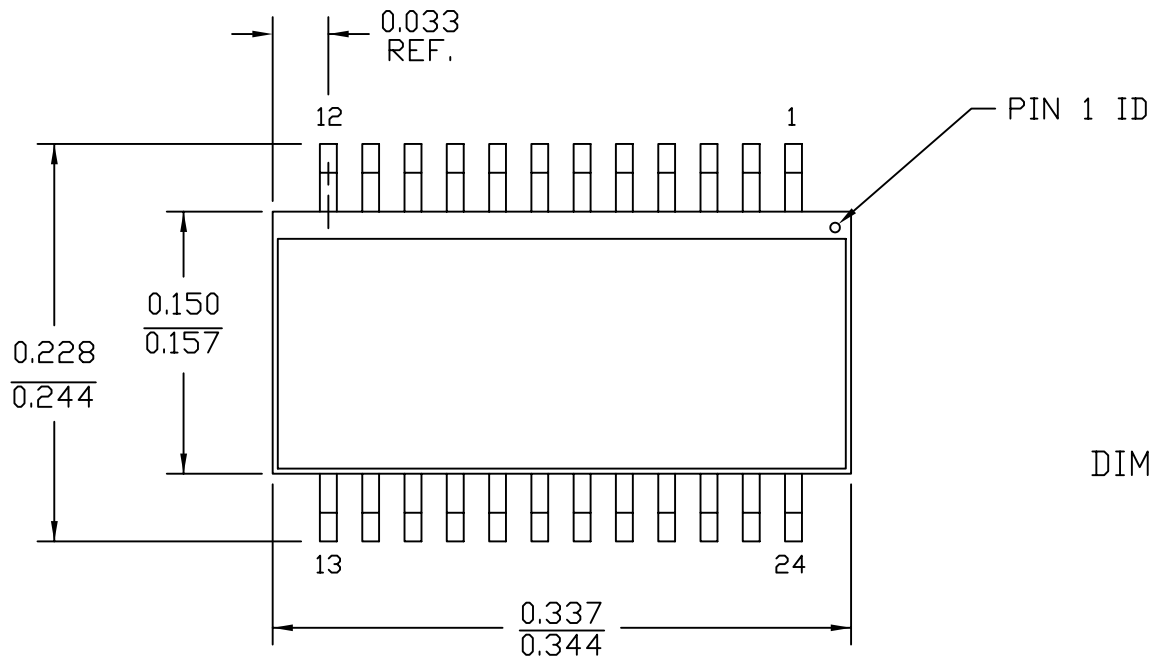
**Continuity of document content**

The fact that Infineon offers the following product as part of the Infineon product portfolio does not lead to any changes to this document. Future revisions will occur when appropriate, and any changes will be set out on the document history page.

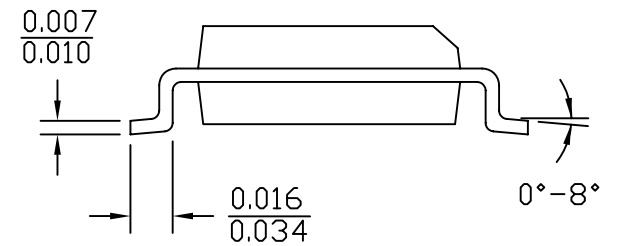
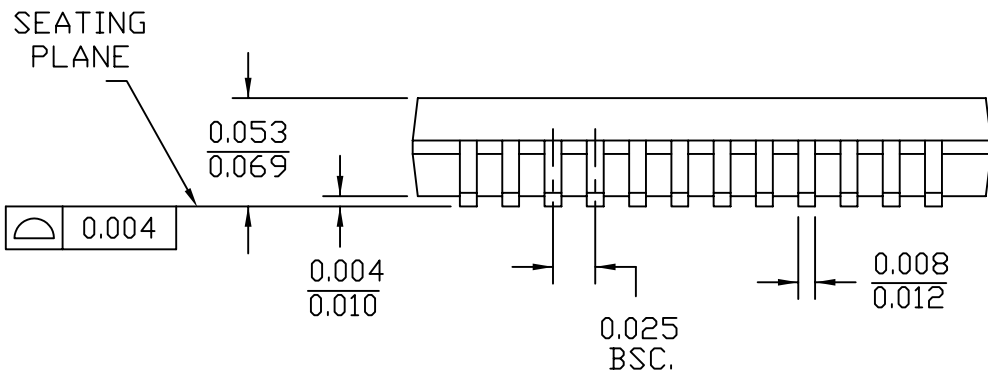
**Continuity of ordering part numbers**

Infineon continues to support existing part numbers. Please continue to use the ordering part numbers listed in the datasheet for ordering.

# 24 Lead QSOP



DIMENSIONS IN INCHES  $\frac{\text{MIN.}}{\text{MAX.}}$



TITLE PACKAGE OUTLINE, 24LD QSOP 8.65X3.9X1.44 MM 0241


SPEC NO. 51-85055 REV \*E

SCALE SHEET 1 OF 2

THIS DRAWING CONTAINS INFORMATION WHICH IS THE PROPRIETARY PROPERTY OF CYPRESS SEMICONDUCTOR CORPORATION. THIS DRAWING IS RECEIVED IN CONFIDENCE AND ITS CONTENTS MAY NOT BE DISCLOSED WITHOUT WRITTEN CONSENT OF CYPRESS SEMICONDUCTOR CORPORATION.

PACKAGE CODE(S) 0241

| Rev | ECN No. | Orig. of change | Description of Change   |
|-----|---------|-----------------|---|
| **  | 688     | -               | NEW RELEASE   |
| *A  | 1063    | -               | CHG. DIM. 0.016/0.050 TO 0.016/0.034  |
| *B  | 49404   | -               | DEL. NOTE LEAD COPLAN. & REPLACE BY SYMBOL  |
| *C  | 2859822 | TZWTMP2         | Changed template, & title from 24LD QSOP PACKAGE OUTLINE to PACKAGE OUTLINE, 24LD QSOP 8.65X3.9X1.44 MM 0241. |
| *D  | 3313242 | QADTMP1         | NO CHANGE. SUNSET REVIEW.   |
| *E  | 4613563 | ROWI            | SUNSET REVIEW, CHANGED DRAWING TEMPLATE.  |

|  |              |
|--|--------------|
|  <b>CYPRESS</b><br>Company Confidential |              |
| TITLE PACKAGE OUTLINE, 24LD QSOP 8.65X3.9X1.44 MM 0241   |              |
| SPEC NO. 51-85055  | REV *E       |
| SCALE  | SHEET 2 OF 2 |

THIS DRAWING CONTAINS INFORMATION WHICH IS THE PROPRIETARY PROPERTY OF CYPRESS SEMICONDUCTOR CORPORATION. THIS DRAWING IS RECEIVED IN CONFIDENCE AND ITS CONTENTS MAY NOT BE DISCLOSED WITHOUT WRITTEN CONSENT OF CYPRESS SEMICONDUCTOR CORPORATION.

PACKAGE CODE(S)

0241

SPEC NO. 51-85055

REV \*E

SCALE

SHEET 2 OF 2