



Please note that Cypress is an Infineon Technologies Company.

The document following this cover page is marked as “Cypress” document as this is the company that originally developed the product. Please note that Infineon will continue to offer the product to new and existing customers as part of the Infineon product portfolio.

Continuity of document content

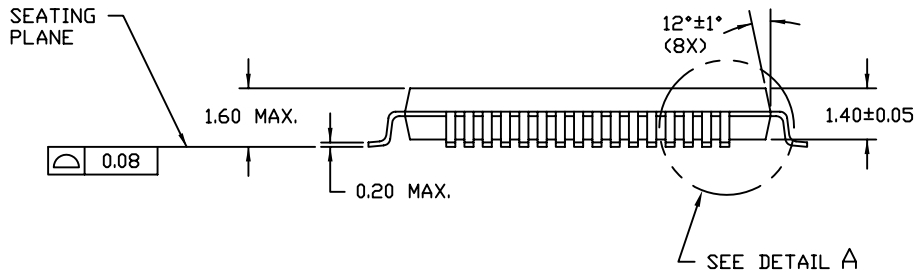
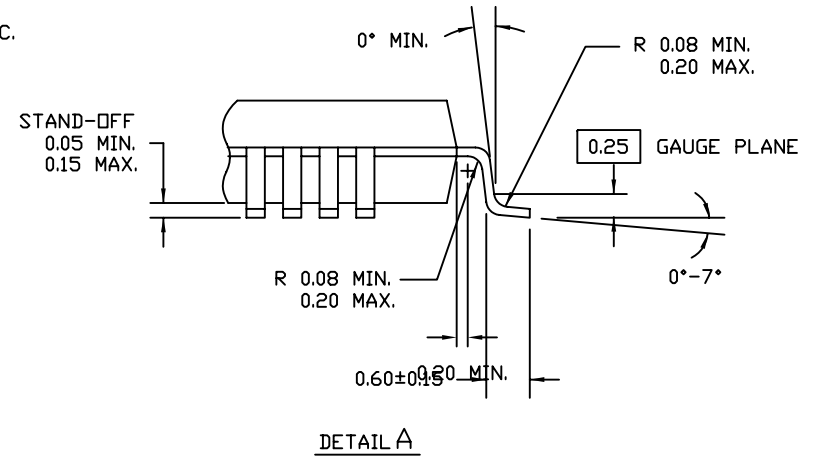
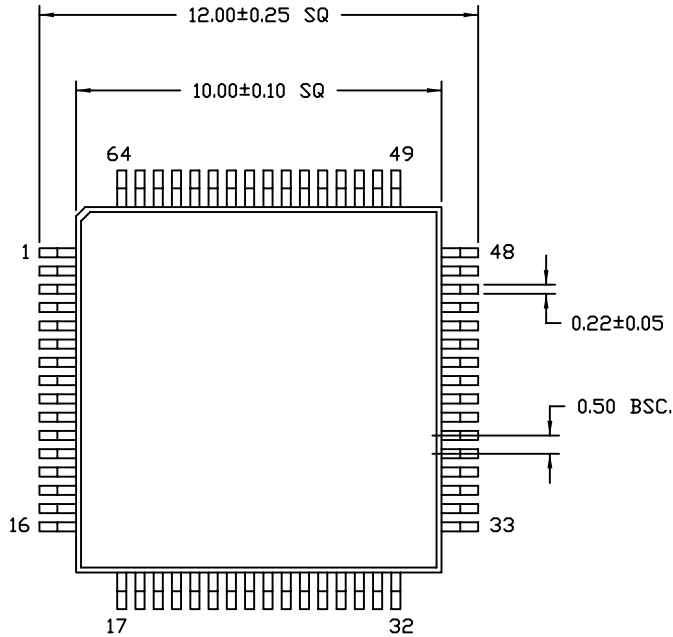
The fact that Infineon offers the following product as part of the Infineon product portfolio does not lead to any changes to this document. Future revisions will occur when appropriate, and any changes will be set out on the document history page.

Continuity of ordering part numbers

Infineon continues to support existing part numbers. Please continue to use the ordering part numbers listed in the datasheet for ordering.

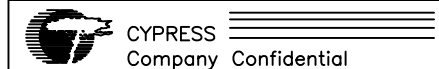
64 Lead Thin Plastic Quad Flatpack 10 X 10 X 1.4mm - A64

DIMENSIONS ARE IN MILLIMETERS



THIS DRAWING CONTAINS INFORMATION WHICH IS THE PROPRIETARY PROPERTY OF CYPRESS SEMICONDUCTOR CORPORATION. THIS DRAWING IS RECEIVED IN CONFIDENCE AND ITS CONTENTS MAY NOT BE DISCLOSED WITHOUT WRITTEN CONSENT OF CYPRESS SEMICONDUCTOR CORPORATION.

PACKAGE CODE(S)



TITLE PACKAGE OUTLINE, 64LD TQFP 10X10X1.4 MM A64SB

SPEC NO. 51-85051

REV *D

SCALE SHEET 1 OF 2

1

2

3

4

5

6

A

A

B

B

C

C

D

D

REVISIONS						
PAGE	ZONE	REV	ECN	DESCRIPTION	DATE	APPROVED
ALL	-	**	583	NEW RELEASE	10/21/93	N/A
ALL	-	*A	49400	CHANGE TITLE	03/25/97	N/A
ALL	-	*B	2859822	Changed template, & title from 64 LD TQFP (10 X 10 X 1.4) PKG OUTLINE to PACKAGE OUTLINE, 64LD TQFP 10X10X1.4 MM A64SB.	01/20/10	QAD
ALL	-	*C	3278241	NO CHANGE. SUNSET REVIEW.	06/09/11	N/A
ALL	-	*D	4593751	Sunset Review, Changed Drawing Template.	12/12/14	QAD



TITLE PACKAGE OUTLINE, 64LD TQFP 10X10X1.4 MM A64SB

SPEC NO. 51-85051 REV *D

SCALE SHEET 2 OF 2

THIS DRAWING CONTAINS INFORMATION WHICH IS THE PROPRIETARY PROPERTY OF CYPRESS SEMICONDUCTOR CORPORATION. THIS DRAWING IS RECEIVED IN CONFIDENCE AND ITS CONTENTS MAY NOT BE DISCLOSED WITHOUT WRITTEN CONSENT OF CYPRESS SEMICONDUCTOR CORPORATION.

PACKAGE CODE(S)

1

2

3

4

5

6