



**Please note that Cypress is an Infineon Technologies Company.**

The document following this cover page is marked as “Cypress” document as this is the company that originally developed the product. Please note that Infineon will continue to offer the product to new and existing customers as part of the Infineon product portfolio.

**Continuity of document content**

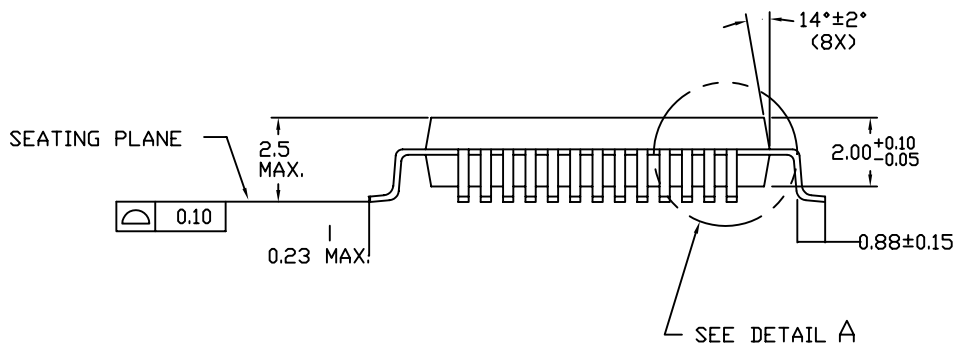
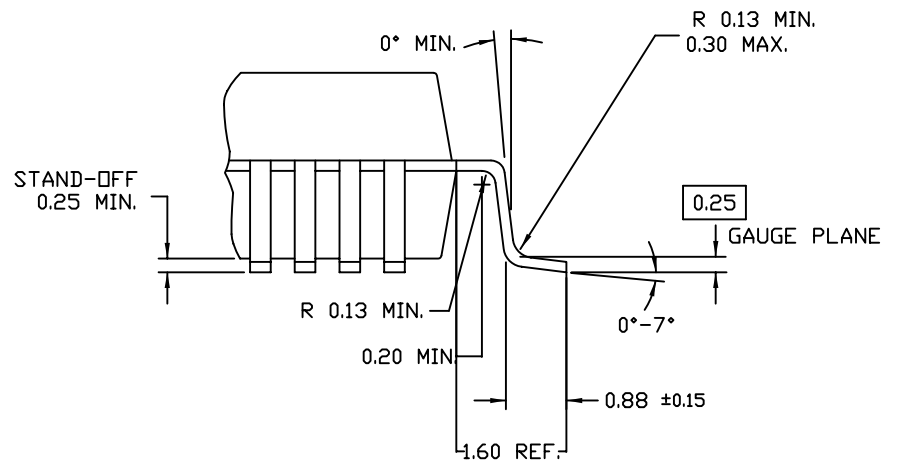
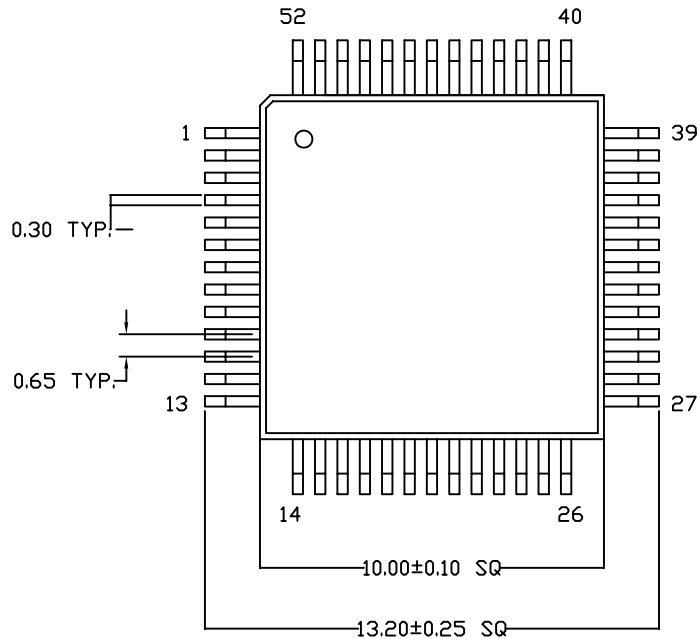
The fact that Infineon offers the following product as part of the Infineon product portfolio does not lead to any changes to this document. Future revisions will occur when appropriate, and any changes will be set out on the document history page.

**Continuity of ordering part numbers**

Infineon continues to support existing part numbers. Please continue to use the ordering part numbers listed in the datasheet for ordering.

# 52 Lead Plastic Quad Flatpack

## 10 X 10 X 2.0mm – N52



### NOTES:

1. DIMENSIONS ARE IN MILLIMETERS
2. REFERENCE JEDEC STD : MO-108
3. PACKAGE WEIGHT: See Cypress Package Material Declaration Datasheet (PMDD) posted on the Cypress Web



TITLE PACKAGE OUTLINE, 52LD PQFP 10X10X2.0 MM N5210


SPEC NO. 51-85042 REV \*E

SCALE SHEET 1 OF 2

THIS DRAWING CONTAINS INFORMATION WHICH IS THE PROPRIETARY PROPERTY OF CYPRESS SEMICONDUCTOR CORPORATION. THIS DRAWING IS RECEIVED IN CONFIDENCE AND ITS CONTENTS MAY NOT BE DISCLOSED WITHOUT WRITTEN CONSENT OF CYPRESS SEMICONDUCTOR CORPORATION.

PACKAGE CODE(S)

REVISIONS						
PAGE	ZONE	REV	ECN	DESCRIPTION	DATE	APPROVED
1	-	**	49491	NEW RELEASE	03/26/97	N/A
1	-	*A	2866040	Changed template, & title from 52 LD PQFP (10 X 10 X 2.0) PKG OUTLINE to PACKAGE OUTLINE, 52LD PQFP 10X10X2.0 MM N5210.	01/26/10	QAD
1	-	*B	3279312	NO CHANGE. SUNSET REVIEW	06/10/11	N/A
1	-	*C	3301404		07/04/11	N/A
1	-	*D	3568574	UPDATE OVERALL PACKAGE HEIGHT FROM 2.4MM TO 2.5MM UPDATE FOOTLENGTH TOLERANCE FROM 0.8 TO +/- 0.15MM 0.88+/- 0.15MM UPDATE DRAFT ANGLE TO 14 +/- 2DEG ADDED NOTE 1. REFERENCE JEDEC STD : MO-108 ADDED NOTE 2. PACKAGE WEIGHT: See Cypress Package Material Declaration Datasheet (PMDD) posted on the Cypress Web	03/30/12	N/A
1	-	*E	4598101	SUNSET REVIEW, CHANGED DRAWING TEMPLATE.	12/16/14	QAD

 <b>CYPRESS</b> Company Confidential	
TITLE PACKAGE OUTLINE, 52LD PQFP 10X10X2.0 MM N5210	
SPEC NO. 51-85042	REV *E
SCALE	SHEET 2 OF 2

THIS DRAWING CONTAINS INFORMATION WHICH IS THE PROPRIETARY PROPERTY OF CYPRESS SEMICONDUCTOR CORPORATION. THIS DRAWING IS RECEIVED IN CONFIDENCE AND ITS CONTENTS MAY NOT BE DISCLOSED WITHOUT WRITTEN CONSENT OF CYPRESS SEMICONDUCTOR CORPORATION.

PACKAGE CODE(S)