



**Please note that Cypress is an Infineon Technologies Company.**

The document following this cover page is marked as “Cypress” document as this is the company that originally developed the product. Please note that Infineon will continue to offer the product to new and existing customers as part of the Infineon product portfolio.

**Continuity of document content**

The fact that Infineon offers the following product as part of the Infineon product portfolio does not lead to any changes to this document. Future revisions will occur when appropriate, and any changes will be set out on the document history page.

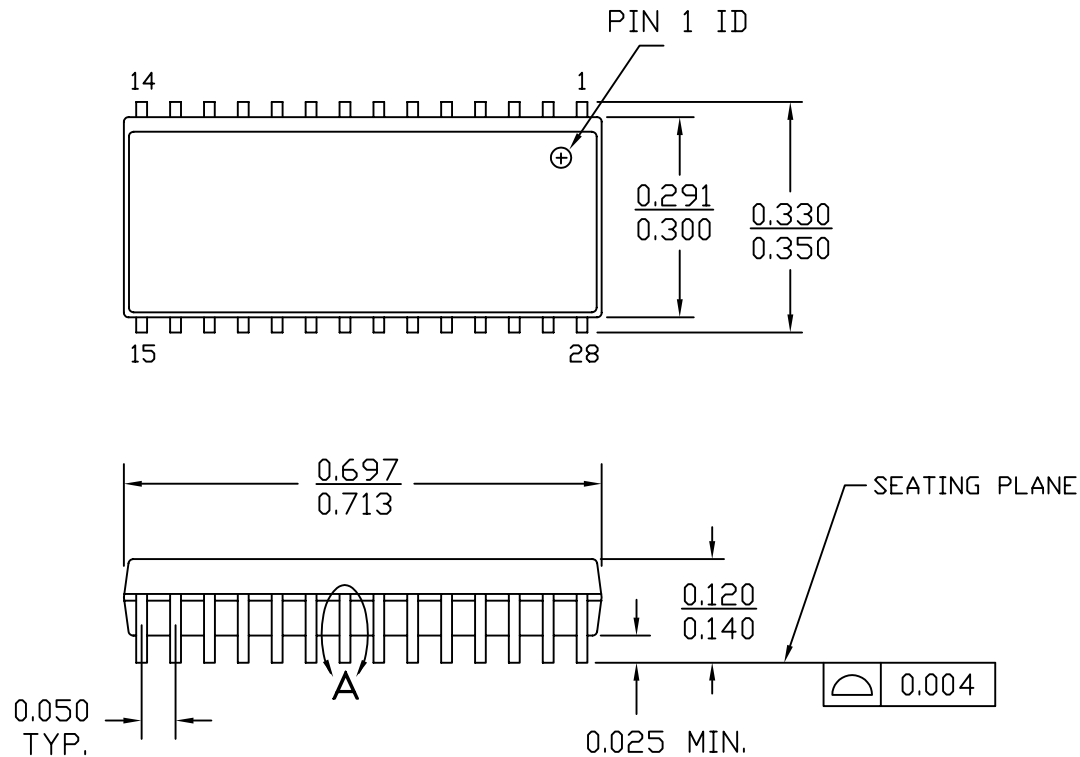
**Continuity of ordering part numbers**

Infineon continues to support existing part numbers. Please continue to use the ordering part numbers listed in the datasheet for ordering.

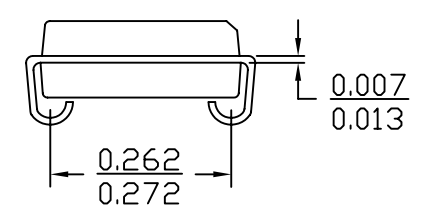
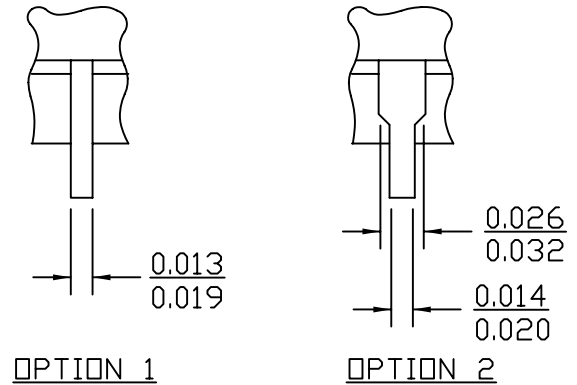
# 28 Lead (300 Mil) Molded SOJ V21


NOTE :

1. JEDEC STD REF MO088
2. BODY LENGTH DIMENSION DOES NOT INCLUDE MOLD PROTRUSION/END FLASH  
MOLD PROTRUSION/END FLASH SHALL NOT EXCEED 0.006 in (0.152 mm) PER SIDE
3. DIMENSIONS IN INCHES MIN.  
MAX.



## DETAIL A EXTERNAL LEAD DESIGN



 <b>CYPRESS</b> Company Confidential	
TITLE PACKAGE OUTLINE, 28L SOJ 300 MILS V28.3 (MOLDED SOJ V21)	
SPEC NO. 51-85031	REV *F
SCALE	SHEET 1 OF 2

THIS DRAWING CONTAINS INFORMATION WHICH IS THE PROPRIETARY PROPERTY OF CYPRESS SEMICONDUCTOR CORPORATION. THIS DRAWING IS RECEIVED IN CONFIDENCE AND ITS CONTENTS MAY NOT BE DISCLOSED WITHOUT WRITTEN CONSENT OF CYPRESS SEMICONDUCTOR CORPORATION.

PACKAGE CODE(S)

1

2

3

4

5

6

A

B

C

D

A

B

C

D

Rev	ECN No.	Orig. of change	Description of Change
**	N/A	-	N/A
*A	43724	-	ADD DETAIL "A"
*B	49388	-	CHG. TITLE
*C	390613	-	ADD NOTES -JEDEC REFERENCE M0088 -MOLD PROTRUSION/END FLASH INFORMATION
*D	2871406	TZWTMP2	Changed template, & title from 28LD (300 MIL) SOJ PKG OUTLINE to PACKAGE OUTLINE, 28L SOJ 300 MILS V28.3 (MOLDED SOJ V21).
*E	3313142	QADTMP1	NO CHANGE. SUNSET REVIEW.
*F	4613530	ROWI	SUNSET REVIEW, CHANGED DRAWING TEMPLATE.



CYPRESS  
Company Confidential

TITLE PACKAGE OUTLINE, 28L SOJ 300 MILS V28.3 (MOLDED SOJ V21)

SPEC NO. 51-85031 REV \*F

SCALE SHEET 2 OF 2

THIS DRAWING CONTAINS INFORMATION WHICH IS THE PROPRIETARY PROPERTY OF CYPRESS SEMICONDUCTOR CORPORATION. THIS DRAWING IS RECEIVED IN CONFIDENCE AND ITS CONTENTS MAY NOT BE DISCLOSED WITHOUT WRITTEN CONSENT OF CYPRESS SEMICONDUCTOR CORPORATION.

PACKAGE CODE(S)

1

2

3

4

5

6