



Please note that Cypress is an Infineon Technologies Company.

The document following this cover page is marked as “Cypress” document as this is the company that originally developed the product. Please note that Infineon will continue to offer the product to new and existing customers as part of the Infineon product portfolio.

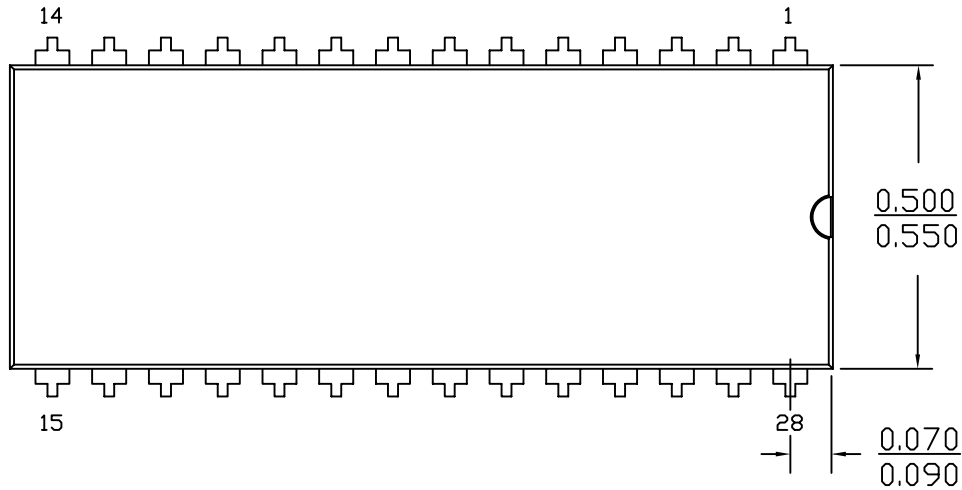
Continuity of document content

The fact that Infineon offers the following product as part of the Infineon product portfolio does not lead to any changes to this document. Future revisions will occur when appropriate, and any changes will be set out on the document history page.

Continuity of ordering part numbers

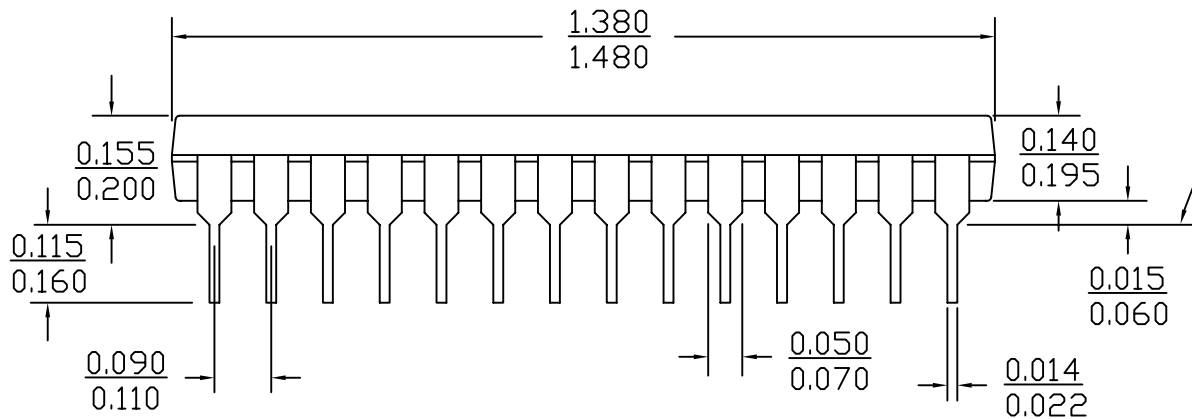
Infineon continues to support existing part numbers. Please continue to use the ordering part numbers listed in the datasheet for ordering.

28 Lead (600 Mil) PDIP – P15

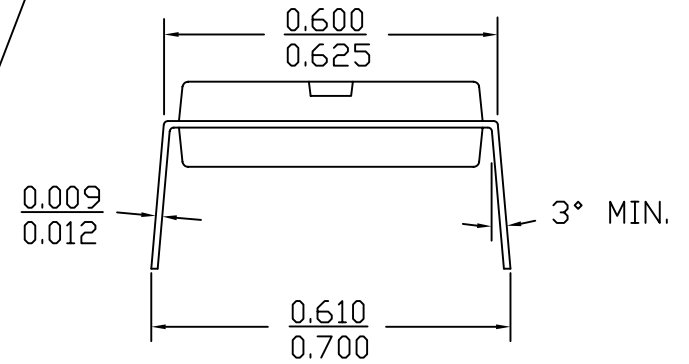



DIMENSIONS IN INCHES MIN.
MAX.
REFERENCE JEDEC M5-011

PART #	
P28.6	STANDARD PKG.
PZ28.6	LEAD FREE PKG.



SEATING PLANE



 **CYPRESS**
Company Confidential

TITLE PACKAGE OUTLINE, 28L PDIP 1.480X.550X.195 INCHES P28.6/PZ28.6


SPEC NO. 51-85017 REV *F

SCALE SHEET 1 OF 2

THIS DRAWING CONTAINS INFORMATION WHICH IS THE PROPRIETARY PROPERTY OF CYPRESS SEMICONDUCTOR CORPORATION. THIS DRAWING IS RECEIVED IN CONFIDENCE AND ITS CONTENTS MAY NOT BE DISCLOSED WITHOUT WRITTEN CONSENT OF CYPRESS SEMICONDUCTOR CORPORATION.

PACKAGE CODE(S)

REVISIONS						
PAGE	ZONE	REV	ECN	DESCRIPTION	DATE	APPROVED
1	-	**	N/A	N/A	N/A	N/A
1	-	*A	49374	CHG. TITLE	04/02/97	N/A
1	-	*B	473576	CHG. PKG. LENGTH/CHG. PKG. WIDTH/CHG. PKG. THICKNESS/CHG. LEAD WIDTH ADD Part #/ADD JEDEC #	06/30/06	N/A
1	-	*C	2707265	CHG. BODY WIDTH FROM 0.530/0.550 to 0.500/0.550. CHG. SHOULDER WIDTH FROM 0.055/0.065 to 0.050/0.070. CHG. REFERENCE JEDEC FROM Ms-020 TO Ms-011. UPDATE SPEC TITLE FROM 28LD (600 MIL) PDIP PACKAGE OUTLINE to PACKAGE OUTLINE, 28L PDIP 600 MIL P28.6/PZ28.6.	05/18/09	ZJL
1	-	*D	2868898	CHANGED TEMPLATE, CHANGE TITLE FROM PKG. OUTLINE, 28L PDIP 600 MIL P28.6/PZ28.6 TO PACKAGE OUTLINE, 28L INCHES P28.6/PZ28.6	01/28/10	QAD
1	-	*E	3279312	NO CHANGE. SUNSET REVIEW	06/10/11	N/A
ALL	-	*F	4598101	SUNSET REVIEW, CHANGED DRAWING TEMPLATE.	06/10/11	N/A

 CYPRESS Company Confidential	
TITLE PACKAGE OUTLINE, 28L PDIP 1.480X.550X.195 INCHES P28.6/PZ28.6	
SPEC NO. 51-85017	REV *F
SCALE	SHEET 2 OF 2

THIS DRAWING CONTAINS INFORMATION WHICH IS THE PROPRIETARY PROPERTY OF CYPRESS SEMICONDUCTOR CORPORATION. THIS DRAWING IS RECEIVED IN CONFIDENCE AND ITS CONTENTS MAY NOT BE DISCLOSED WITHOUT WRITTEN CONSENT OF CYPRESS SEMICONDUCTOR CORPORATION.

PACKAGE CODE(S)