



**Please note that Cypress is an Infineon Technologies Company.**

The document following this cover page is marked as “Cypress” document as this is the company that originally developed the product. Please note that Infineon will continue to offer the product to new and existing customers as part of the Infineon product portfolio.

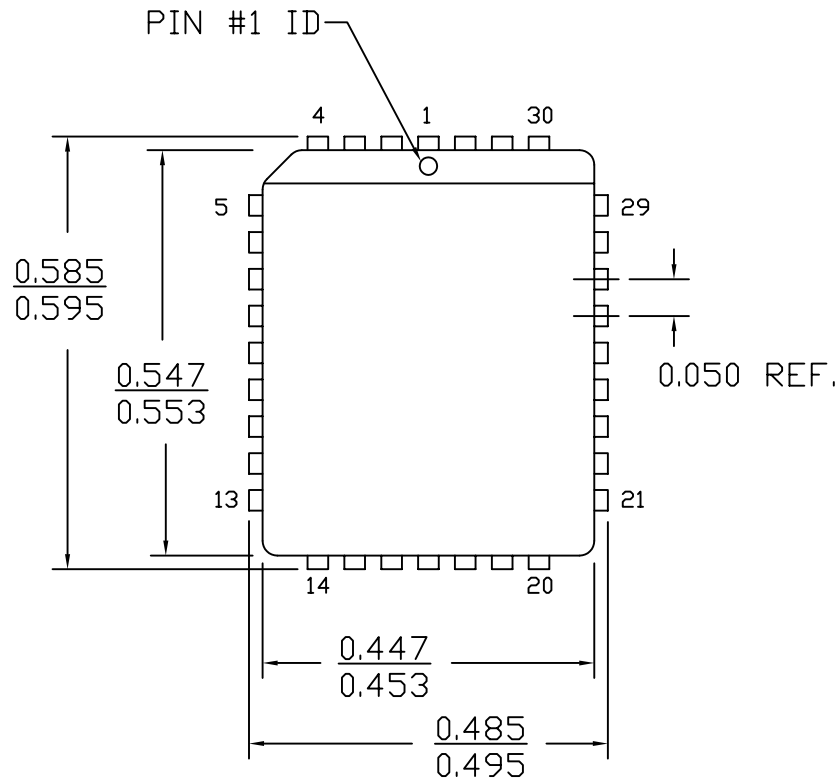
**Continuity of document content**

The fact that Infineon offers the following product as part of the Infineon product portfolio does not lead to any changes to this document. Future revisions will occur when appropriate, and any changes will be set out on the document history page.

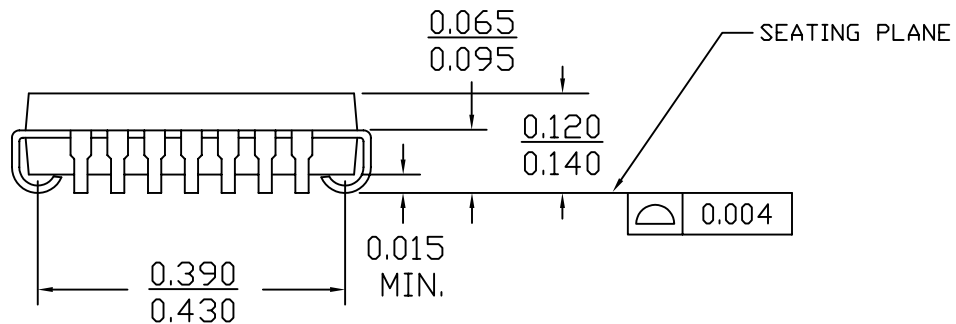
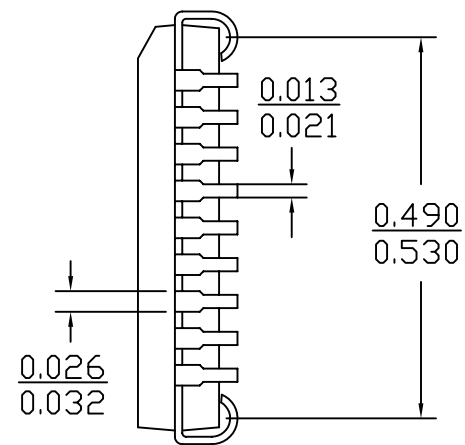
**Continuity of ordering part numbers**


Infineon continues to support existing part numbers. Please continue to use the ordering part numbers listed in the datasheet for ordering.

# 32 Lead Plastic Leaded Chip Carrier J65



DIMENSIONS IN INCHES MIN.  
MAX.



		CYPRESS Company Confidential	
TITLE PACKAGE OUTLINE, 32L PLOC .453X.553 INCHES J32			
SPEC NO.		51-85002	REV *E
SCALED TO FIT	N/A	SHEET 1 OF 2	

THIS DRAWING CONTAINS INFORMATION WHICH IS THE PROPRIETARY PROPERTY OF CYPRESS SEMICONDUCTOR CORPORATION. THIS DRAWING IS RECEIVED IN CONFIDENCE AND ITS CONTENTS MAY NOT BE DISCLOSED WITHOUT WRITTEN CONSENT OF CYPRESS SEMICONDUCTOR CORPORATION.

PACKAGE CODE(S)  
J32R  
JZ32R

REV.	ECN NO.	ORIGIN OF CHANGE	DESCRIPTION OF CHANGE
**	N/A	—	N/A
*A	1455	—	CHG. STAND-OFF HEIGHT MIN. TO .120
*B	49361	—	ADD LEAD COPLANARITY, CHG. TITLE
*C	2867424	—	CHANGED TEMPLATE, CHANGE TITLE FROM 32LD PLCC PACKAGE OUTLINE TO PACKAGE OUTLINE, 32L PLCC .453X.553 INCHES J32
*D	3313065	—	NO CHANGE. SUNSET REVIEW.
*E	4615792	XANC	FOR SUNSET REVIEW. UPDATE DRAWING TEMPLATE.



TITLE  
PACKAGE OUTLINE, 32L PLCC .453X.553 INCHES J32

SPEC NO. 51-85002 REV \*E

SCALED TO FIT N/A SHEET 2 OF 2

THIS DRAWING CONTAINS INFORMATION WHICH IS THE PROPRIETARY PROPERTY OF CYPRESS SEMICONDUCTOR CORPORATION. THIS DRAWING IS RECEIVED IN CONFIDENCE AND ITS CONTENTS MAY NOT BE DISCLOSED WITHOUT WRITTEN CONSENT OF CYPRESS SEMICONDUCTOR CORPORATION.

PACKAGE CODE(S)  
J32R  
JZ32R

1

2

3

4

5

6