



**Please note that Cypress is an Infineon Technologies Company.**

The document following this cover page is marked as “Cypress” document as this is the company that originally developed the product. Please note that Infineon will continue to offer the product to new and existing customers as part of the Infineon product portfolio.

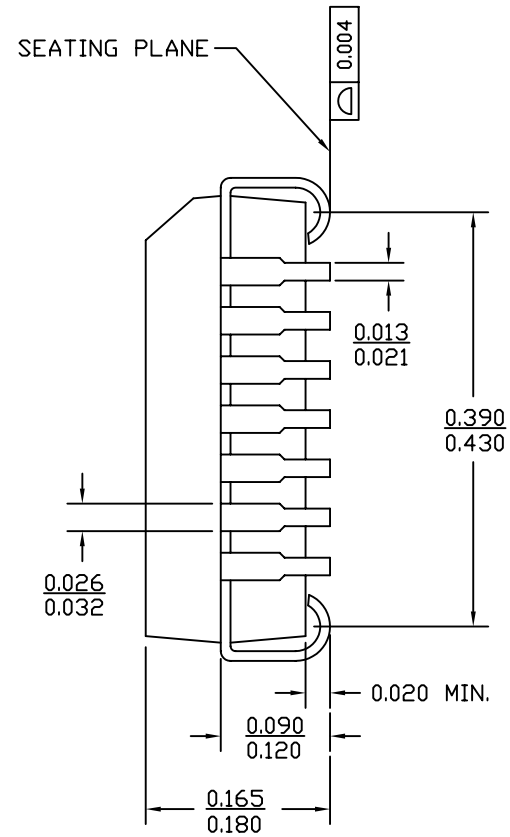
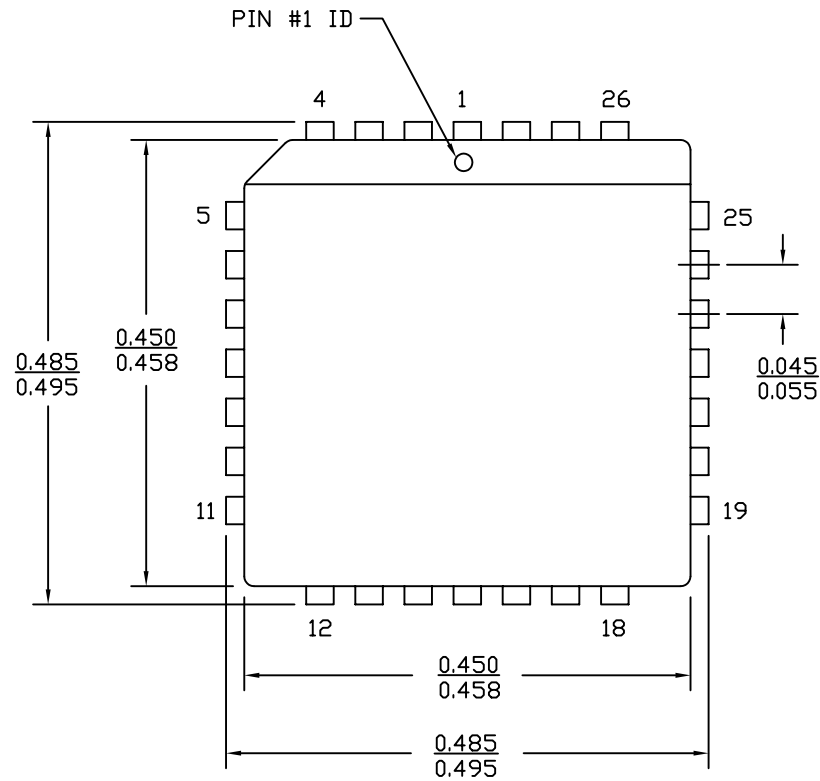
**Continuity of document content**

The fact that Infineon offers the following product as part of the Infineon product portfolio does not lead to any changes to this document. Future revisions will occur when appropriate, and any changes will be set out on the document history page.

**Continuity of ordering part numbers**

Infineon continues to support existing part numbers. Please continue to use the ordering part numbers listed in the datasheet for ordering.

# 28 Lead Plastic Leaded Chip Carrier J64



DIMENSIONS IN INCHES MIN.  
MAX.



TITLE  
PACKAGE OUTLINE, 28L PLOC .458X.458 INCHES J28


SPEC NO. 51-85001 REV \*D

SCALED TO FIT N/A SHEET 1 OF 2

THIS DRAWING CONTAINS INFORMATION WHICH IS THE PROPRIETARY PROPERTY OF CYPRESS SEMICONDUCTOR CORPORATION. THIS DRAWING IS RECEIVED IN CONFIDENCE AND ITS CONTENTS MAY NOT BE DISCLOSED WITHOUT WRITTEN CONSENT OF CYPRESS SEMICONDUCTOR CORPORATION.

PACKAGE CODE(S)  
J28S  
JZ28S

REV.	ECN NO.	ORIGIN OF CHANGE	DESCRIPTION OF CHANGE
**	N/A	—	N/A
*A	49360	—	NEW RELEASE
*B	2868863	—	Changed template, & title from 48LD SQUARE LCC PKG. OUTL. to PACKAGE OUTLINE, 48L SQUARE LCC 0.56X0.56X0.072 IN. L48S.
*C	3278241	—	NO CHANGE. SUNSET REVIEW.
*D	4601028	XANC	FOR SUNSET REVIEW. UPDATE DRAWING TEMPLATE.

 <b>CYPRESS</b> Company Confidential		
TITLE PACKAGE OUTLINE, 28L PLOC .458X.458 INCHES J28		
SPEC NO. 51-85001	REV *D	
SCALED TO FIT N/A	SHEET 2 OF 2	

THIS DRAWING CONTAINS INFORMATION WHICH IS THE PROPRIETARY PROPERTY OF CYPRESS SEMICONDUCTOR CORPORATION. THIS DRAWING IS RECEIVED IN CONFIDENCE AND ITS CONTENTS MAY NOT BE DISCLOSED WITHOUT WRITTEN CONSENT OF CYPRESS SEMICONDUCTOR CORPORATION.

PACKAGE CODE(S)  
 J28S  
 JZ28S