



Please note that Cypress is an Infineon Technologies Company.

The document following this cover page is marked as “Cypress” document as this is the company that originally developed the product. Please note that Infineon will continue to offer the product to new and existing customers as part of the Infineon product portfolio.

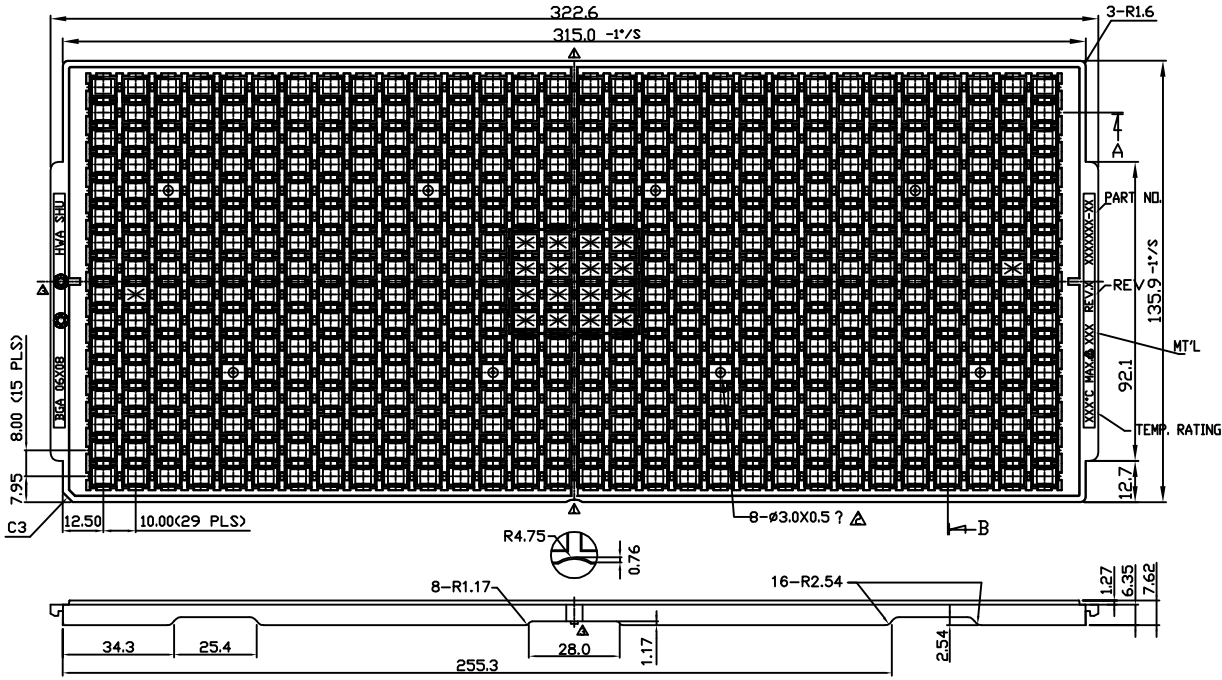
Continuity of document content

The fact that Infineon offers the following product as part of the Infineon product portfolio does not lead to any changes to this document. Future revisions will occur when appropriate, and any changes will be set out on the document history page.

Continuity of ordering part numbers

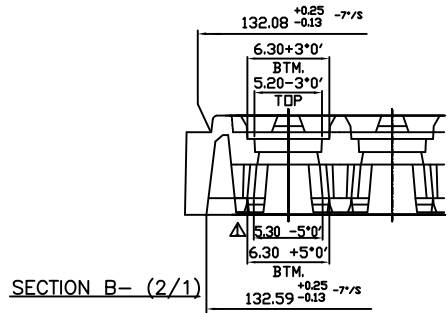
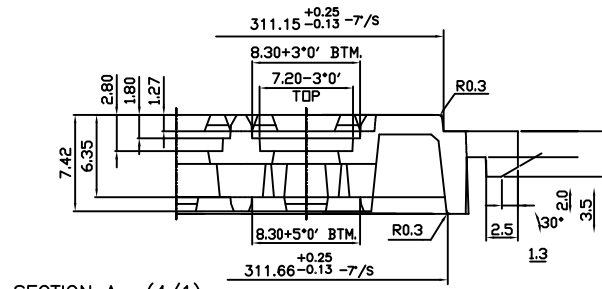
Infineon continues to support existing part numbers. Please continue to use the ordering part numbers listed in the datasheet for ordering.

REVISIONS						
PAGE	ZONE	REV	ECN	DESCRIPTION	DATE	APPROVED
-	-	**	130734	NEW RELEASE	10/27/03	-
1	-	*A	3396978	SUNSET REVIEW. CHANGE DRAWING TEMPLATE ALIGNMENT TO 001-49215 SPEC.	10/06/11	QAD
1	-	*B	4538791	SUNSET REVIEW. NO CHANGE.	10/15/14	QAD/UYO



- NOTES :
- (S.R. OHM/SQ.) MEANS SURFACE ELECTRIC RESISTIVITY OF THE TRAY.
 - THE MOLDED TRAY'S MATERIAL SHALL BE RIGID ENOUGH TO AVOID DAMAGE TO THE COMPONENTS DURING HANDLING, LOADING, BACKING, TESTING, SHIPPING AND LOCATING.
 - TEMP.°C IS THE MAXIMUM OPERATING TEMPERATURE THE EMPTY TRAY CAN BE SUBJECTED TO FOR 48 CONTINUOUS HOURS BAKING WITHOUT VIOLATING THE DIMENSIONAL TOLERANCE OF THE TRAY.
 - TRAYS ARE STACKABLE WITHOUT INTERFERENCE AND WILL NOT STICK TOGETHER DURING UNSTACKING OPERATION.
 - WARPAGE IS WITHIN 0.76 mm.
 - THE CELLS MARKED WITH CROSS SYMBOL ARE FOR VACUUM PICKUP AREA.
 - TOTAL USABLE CELLS 16X30=480.
 - ALL DIMENSIONS ARE IN MILLIMETERS.

REMARK	△ 1X10 ² -9X10 ⁹	PPE	BLACK	150°C MAX.	EA70608-10
	□ S.R OHM/SQ.	MT'L	COLOR	TEMP.°C	PART NO.



THIS DRAWING CONTAINS INFORMATION WHICH IS THE PROPRIETARY PROPERTY OF CYPRESS SEMICONDUCTOR CORPORATION. THIS DRAWING IS RECEIVED IN CONFIDENCE AND ITS CONTENTS MAY NOT BE DISCLOSED WITHOUT WRITTEN CONSENT OF CYPRESS SEMICONDUCTOR CORPORATION.

UNLESS OTHERWISE SPECIFIED ALL DIMENSIONS ARE IN MILLIMETERS STANDARD TOLERANCES ARE:	DESIGNED BY	DATE
	DRAWN BY	DATE
	CHECKED BY	DATE
	APPROVED BY	DATE
DECIMALS	ANGLES	
.XX ± 0.25	± 1	
.XXX ± 0.13		
.XXXX ±		
MATERIAL	APPROVED BY	DATE
FINISH	APPROVED BY	DATE
SEE NOTE 7		

CYPRESS
Company Confidential

TITLE
48 FBGA TRAY (6 X 8 X 1.2mm)

SIZE	PART NO.	DWG NO	REV
D	TBA06081.2	51-52109	*B

SCALE 1.2 SHEET 1 of 1