



Please note that Cypress is an Infineon Technologies Company.

The document following this cover page is marked as “Cypress” document as this is the company that originally developed the product. Please note that Infineon will continue to offer the product to new and existing customers as part of the Infineon product portfolio.

Continuity of document content

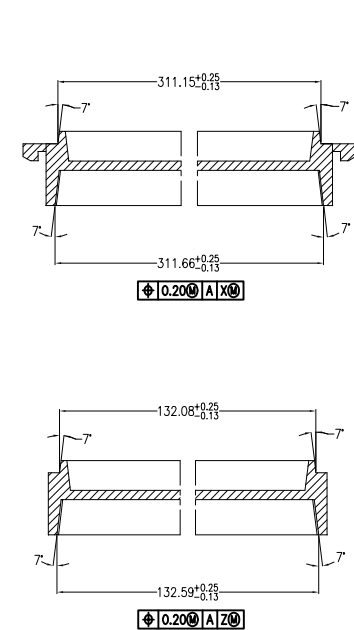
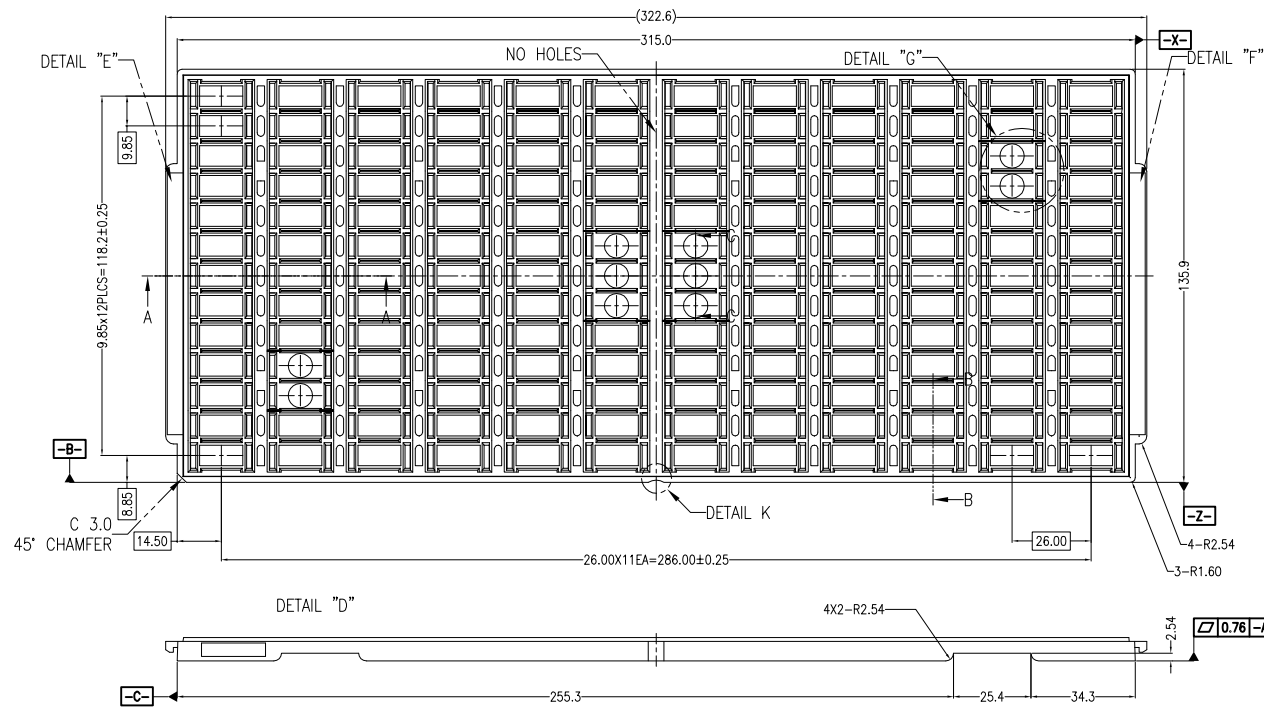
The fact that Infineon offers the following product as part of the Infineon product portfolio does not lead to any changes to this document. Future revisions will occur when appropriate, and any changes will be set out on the document history page.

Continuity of ordering part numbers

Infineon continues to support existing part numbers. Please continue to use the ordering part numbers listed in the datasheet for ordering.

REVISIONS

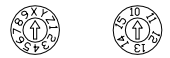
ZONE	REV	ECN	DESCRIPTION	DATE	APPROVED
	**	721	NEW RELEASE	04/20/94	
	*A	52667	CHG. TO CYPRESS FORMAT, CHG. TITLE AND PART #	10/14/97	
	*B	3426323	UPDATED DRAWING, CHANGE TEMPLATE	10/31/11	
	*C	3769639	TRANSFER DRAWING TO CML TEMPLATE	10/08/12	QAD/KGL



TRAY STACKING DETAIL (SCALE:4/1)

TSDP1 8mmx20mm
KS-8406

DETAIL D (SCALE:2/1)



DATE DETAIL (SCALE:2/1)

KOSTAT® TSDP I 8mm X 20mm

DETAIL E (SCALE:2/1)

BAKE TEMP XXX°C **KOSTAT®**

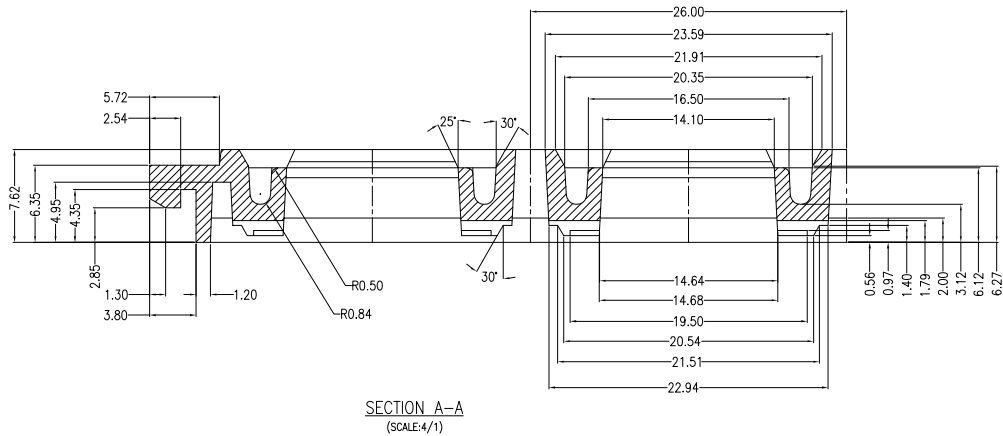
DETAIL F (SCALE:2/1)

DESCRIPTION	MATERIAL	COLOR	TEMP °C	E S D
NON-BAKEABLE	ABS	BLUE,RED	50 °C	10 ¹⁰ TO 10 ¹² ohm/SQ.
BAKEABLE	KS-6120	BLACK	140 °C,150 °C	10 ⁸ TO 10 ¹¹ ohm/SQ.
BAKEABLE	KS-6110	BLACK	150 °C	10 ⁸ TO 10 ¹¹ ohm/SQ.
BAKEABLE	KS-6100	BLACK	180 °C	10 ⁸ TO 10 ¹¹ ohm/SQ.

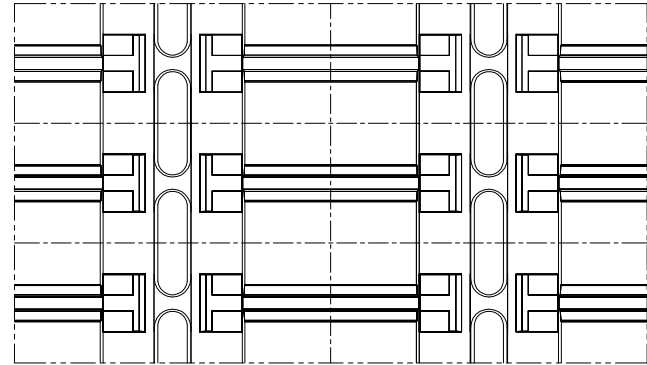
*SUPPLIER P/N: KS-8406

UNLESS OTHERWISE SPECIFIED		DESIGNED BY	DATE	 CYPRESS COMPANY CONFIDENTIAL
ALL DIMENSIONS ARE IN MILLIMETERS		DRAWN	DATE	
STANDARD TOLERANCES ON:		CHK BY	DATE	
DECIMALS	ANGLES	APPROVED BY	DATE	
.XX ± 0.25	± 0.5°	APPROVED BY	DATE	
.XXX ± 0.13		APPROVED BY	DATE	
.XXXX ± 0.13				
MATERIAL	SEE NOTES			TITLE
FINISH				32LD TSDP TRAY 8 X 20 X 1.0 (TYPE I)
				SIZE
				A
				PART NO.
				TZ82010-*
				DWG NO.
				51-52011
				REV
				*C
				SCALE
				SCALED TO FIT
				SHEET
				1 OF 2

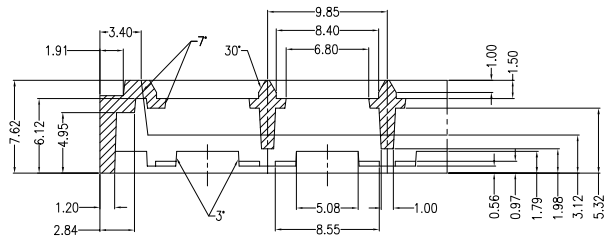
THIS DRAWING CONTAINS INFORMATION WHICH IS THE PROPRIETARY PROPERTY OF CYPRESS SEMICONDUCTOR CORPORATION. THIS DRAWING IS RECEIVED IN CONFIDENCE AND ITS CONTENTS MAY NOT BE DISCLOSED WITHOUT WRITTEN CONSENT OF CYPRESS SEMICONDUCTOR CORPORATION.



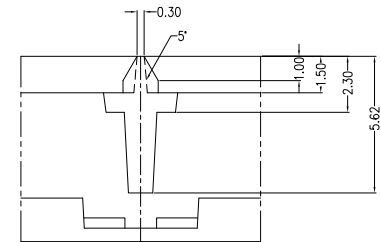
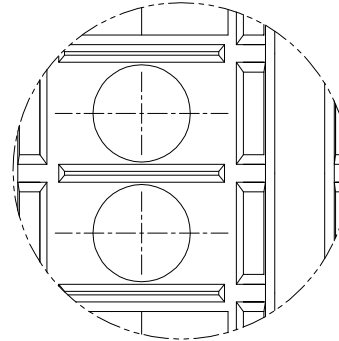
SECTION A-A
(SCALE:4/1)



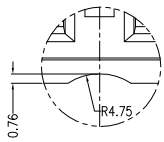
BOTTOM VIEW
(SCALE:2/1)



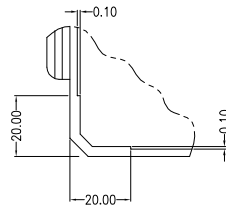
SECTION B-B
(SCALE:4/1)



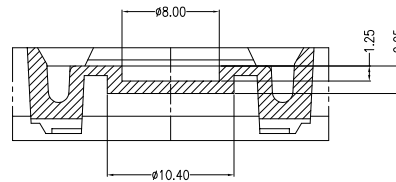
SECTION C-C
(SCALE:8/1)



DETAIL "K"
(SCALE:2/1)



STACKING DETAIL
(SCALE:4/1)



DETAIL "G"
(SCALE:4/1)

UNLESS OTHERWISE SPECIFIED ALL DIMENSIONS ARE IN MILLIMETERS STANDARD TOLERANCES ON: DECIMALS .XX ± 0.25 .XXX ± 0.13 .XXXX ± 0.13 ANGLES ± 0.5°	DESIGNED BY	DATE					
	DRAWN	DATE					
	CHK BY	DATE	TITLE	SIZE	PART NCL	DWG NO	REV
	APPROVED BY	DATE	APPROVED BY	DATE	APPROVED BY	DATE	DATE
MATERIAL	SEE NOTES	APPROVED BY	DATE	APPROVED BY	DATE	APPROVED BY	DATE
FINISH		APPROVED BY	DATE	APPROVED BY	DATE	APPROVED BY	DATE
SCALE SCALED TO FIT			SHEET 2 OF 2				