



**Please note that Cypress is an Infineon Technologies Company.**

The document following this cover page is marked as “Cypress” document as this is the company that originally developed the product. Please note that Infineon will continue to offer the product to new and existing customers as part of the Infineon product portfolio.

**Continuity of document content**

The fact that Infineon offers the following product as part of the Infineon product portfolio does not lead to any changes to this document. Future revisions will occur when appropriate, and any changes will be set out on the document history page.

**Continuity of ordering part numbers**

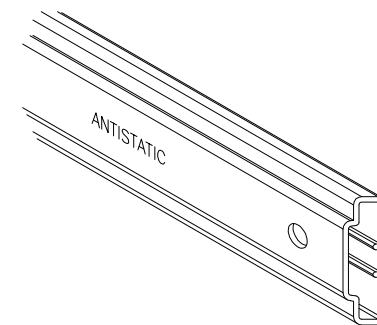
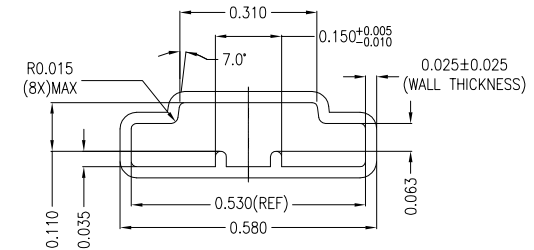
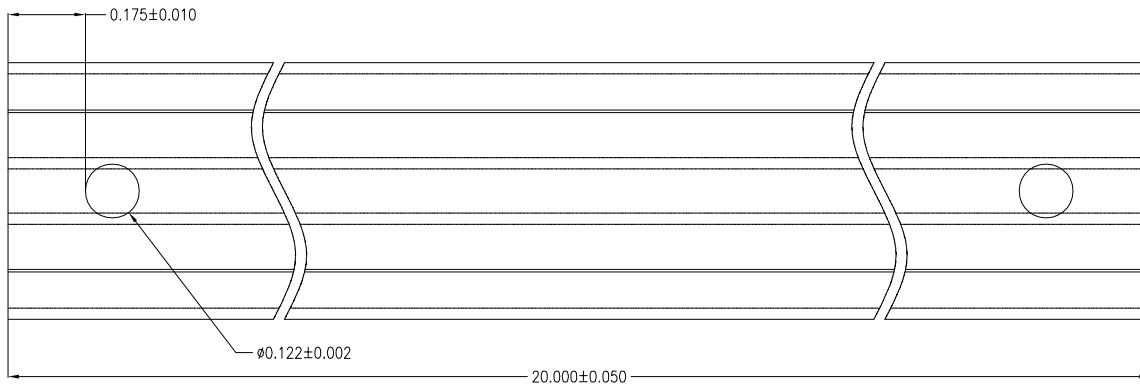
Infineon continues to support existing part numbers. Please continue to use the ordering part numbers listed in the datasheet for ordering.

REVISIONS

PAGE	ZONE	REV	ECN	DESCRIPTION	DATE	APPROVED
1	-	**	111761	NEW RELEASE	11/14/01	
1	-	*A	113288	CHANGE PART # TO SOTB3I-XX / ADD TUBE TYPE / PART # TABLE	02/04/02	
1	-	*B	3189198	CHANGE TITLE FROM 300 MIL SOIC/SOJ SHIPPING TUBE - CSPI to 300 MIL SOIC/SOJ SHIPPING TUBE UPDATE DRAWING CHANGE DRAWING TEMPLATE	03/09/11	
1	-	*C	4489518	UPDATE DRAWING TEMPLATE	09/01/14	

NOTES:

1. ALL PARTS TO MEET THE REQUIREMENTS OF CYPRESS SPECIFICATION #03-00029
2. MATERIAL: REFER TO SPEC. #03-00029
3. FINISH: REFER TO SPEC. #03-00029
4. MAX. BURR ON INNER SIDE OF TUBE SHALL BE 0.010 IN.
5. CYPRESS LOGO AND "CYPRESS SEMICONDUCTOR" PRINT ON TUBE IS OPTIONAL



TUBE TYPE	CY PART #
CLEAR WITH BLUE PRINT	SOTB3I-CB
CLEAR WITH GREEN PRINT	SOTB3I-CG
GREEN WITH BLUE PRINT	SOTB3I-G
YELLOW WITH BLUE PRINT	SOTB3I-Y
RED WITH BLUE PRINT	SOTB3I-R
BLUE WITH BLUE PRINT	SOTB3I-B
BLACK WITH BLUE PRINT	SOTB3I-BL
ORANGE WITH BLUE PRINT	SOTB3I-O

UNLESS OTHERWISE SPECIFIED		DESIGNED BY	DATE	CYPRESS COMPANY CONFIDENTIAL	
ALL DIMENSIONS ARE IN MILLIMETERS		DRAWN	DATE	TITLE 300 MIL SOIC/SOJ SHIPPING TUBE	
STANDARD TOLERANCES ON:		XVC	09/01/14		
DECIMALS	ANGLES	CHECK BY	DATE	SIZE	PART NO.
.XX ± 0.10	± 1.0	ECVI	09/01/14	A	SOTB3I-XX
.XXX ± 0.100		APPROVED BY	DATE	DWG NO	REV
.XXXX ± 0.1000		QAD	09/01/14	51-51130	*C
MATERIAL	SEE NOTE	APPROVED BY	DATE	DO NOT SCALE	
FINISH	SEE NOTE	UYO	09/01/14	SHEET 1 OF 1	