

# EiceDRIVER™ Compact

High voltage gate driver IC

## 2EDL family

600 V half bridge gate drive IC

2EDL05I06PF

2EDL05I06PJ

2EDL05I06BF

2EDL05N06PF

2EDL05N06PJ

EiceDRIVER™ Compact

## Final datasheet

<Revision 2.7>, 18.08.2016

Final

**Edition 18.08.2016**

**Published by  
Infineon Technologies AG  
81726 Munich, Germany**

**© 2016 Infineon Technologies AG  
All Rights Reserved.**

#### **IMPORTANT NOTICE**

The information given in this document shall in no event be regarded as a guarantee of conditions or characteristics ("Beschaffenheitsgarantie").

With respect to any examples, hints or any typical values stated herein and/or any information regarding the application of the product, Infineon Technologies hereby disclaims any and all warranties and liabilities of any kind, including without limitation warranties of non-infringement of intellectual property rights of any third party.

In addition, any information given in this document is subject to customer's compliance with its obligations stated in this document and any applicable legal requirements, norms and standards concerning customer's products and any use of the product of Infineon Technologies in customer's applications.

The data contained in this document is exclusively intended for technically trained staff. It is the responsibility of customer's technical departments to evaluate the suitability of the product for the intended application and the completeness of the product information given in this document with respect to such application.

Please note that this product is not qualified according to the AEC Q100 or AEC Q101 documents of the Automotive Electronics Council.

#### **WARNINGS**

Due to technical requirements products may contain dangerous substances. For information on the types in question please contact your nearest Infineon Technologies office.

Except as otherwise explicitly approved by Infineon Technologies in a written document signed by authorized representatives of Infineon Technologies, Infineon Technologies' products may not be used in any applications where a failure of the product or any consequences of the use thereof can reasonably be expected to result in personal injury.

## Revision History

Page or Item	Subjects (major changes since previous revision)
<b>&lt;Revision 0.85&gt;, 16.04.2013</b>	
all	change term VCC in VDD
p.16	Introduced lopk+ and lopk- values
all	introduced 2EDL05N06PJ
all	introduced 2EDL05I06PJ
<b>&lt;Revision 2.6&gt;, 01.06.2016</b>	
	Update maximum Ta from 95°C to 105°C in Table 5
<b>&lt;Revision 2.7&gt;, 18.08.2016</b>	
p.2	Updated disclaimer
p.3	Updated Trademarks
p.14	Updated parameter $V_{HO}$
p.20	Add Figure 12 Deadtime and interlock

## Trademarks of Infineon Technologies AG

μHVIC™, μIPM™, μPFC™, AU-ConvertIR™, AURIX™, C166™, CanPAK™, CIPOS™, CIPURSE™, CoolDP™, CoolGaN™, COOLiR™, CoolMOS™, CoolSET™, CoolSiC™, DAVE™, DI-POL™, DirectFET™, DrBlade™, EasyPIM™, EconoBRIDGE™, EconoDUAL™, EconoPACK™, EconoPIM™, EiceDRIVER™, eupec™, FCOS™, GaNpowIR™, HEXFET™, HITFET™, HybridPACK™, iMOTION™, IRAM™, ISOFACE™, IsoPACK™, LEDrivIR™, LITIX™, MIPAQ™, ModSTACK™, my-d™, NovalithIC™, OPTIGA™, OptiMOS™, ORIGA™, PowIRaudio™, PowIRstage™, PrimePACK™, PrimeSTACK™, PROFET™, PRO-SIL™, RASIC™, REAL3™, SmartLEWIS™, SOLID FLASH™, SPOC™, StrongIRFET™, SupIRBuck™, TEMPFET™, TRENCHSTOP™, TriCore™, UHVIC™, XHP™, XMC™.

Trademarks Update 2015-12-22

## Other Trademarks

All referenced product or service names and trademarks are the property of their respective owners.

## Table of Contents

<b>1</b>	<b>Overview .....</b>	<b>7</b>
<b>2</b>	<b>Blockdiagram.....</b>	<b>9</b>
<b>3</b>	<b>Pin configuration, description, and functionality .....</b>	<b>10</b>
3.1	Pin Configuration and Description.....	10
3.2	Low Side and High Side Control Pins (LIN, HIN) .....	10
3.2.1	Input voltage range .....	10
3.2.2	Switching levels.....	10
3.2.3	Input filter time.....	11
3.3	VDD and GND.....	11
3.4	VB and VS (High Side Supplies).....	11
3.5	LO and HO (Low and High Side Outputs).....	11
3.6	Undervoltage lockout (UVLO) .....	12
3.7	Bootstrap diode .....	12
3.8	Deadtime and interlock function .....	12
<b>4</b>	<b>Electrical Parameters.....</b>	<b>13</b>
4.1	Absolute Maximum Ratings .....	13
4.2	Required operation conditions .....	14
4.3	Operating Range .....	14
4.4	Static logic function table .....	15
4.5	Static parameters .....	15
4.6	Dynamic parameters .....	17
<b>5</b>	<b>Timing diagrams.....</b>	<b>18</b>
<b>6</b>	<b>Package.....</b>	<b>21</b>
6.1	PG-DSO-8 .....	21
6.2	PG-DSO-14 .....	22

## List of Figures

Figure 1	Typical Application SO8 / SO14 package 0.5 A.....	8
Figure 2	Block diagram for 2EDL05x06Py .....	9
Figure 3	Pin Configuration of 2EDL family .....	10
Figure 4	Input pin structure.....	11
Figure 5	Input filter timing diagram .....	11
Figure 6	Timing of short pulse suppression .....	18
Figure 7	Timing of internal deadtime .....	18
Figure 8	Input to output propagation delay times and switching times definition .....	18
Figure 9	Operating areas (IGBT UVLO levels).....	19
Figure 10	Operating areas (MOSFET UVLO levels) .....	19
Figure 11	Output pulse width timing and matching delay timing diagram for positive logic.....	19
Figure 12	Deadtime and interlock .....	20
Figure 13	Package drawing.....	21
Figure 14	PCB reference layout left: Reference layout right: detail of footprint .....	21
Figure 15	Package drawing.....	22
Figure 16	PCB reference layout (according to JEDEC 1s0P) left: Reference layout right: detail of footprint....	22

## List of Tables

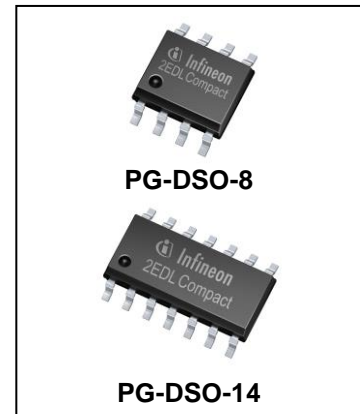
Table 1	Members of 2EDL family.....	7
Table 2	Pin Description .....	10
Table 3	Abs. maximum ratings.....	13
Table 4	Required Operation Conditions .....	14
Table 5	Operating range .....	14
Table 6	Static parameters .....	15
Table 7	Dynamic parameters .....	17
Table 8	Data of reference layout.....	21
Table 9	Data of reference layout.....	22

## EiceDRIVER™ Compact 600 V half bridge gate drive IC

### 1 Overview

#### Main features

- Thin-film-SOI-technology
- Maximum blocking voltage +600V
- Individual control circuits for both outputs
- Filtered detection of under voltage supply
- All inputs clamped by diodes
- Active shut down function
- Asymmetric undervoltage lockout thresholds for high side and low side
- Qualified according to JEDEC<sup>1</sup> (high temperature stress tests for 1000h) for target applications



#### Product highlights

- Insensitivity of the bridge output to negative transient voltages up to -50V given by SOI-technology
- Ultra fast bootstrap diode

#### Typical applications

- Home appliances
- Consumer electronics
- Fans, pumps
- General purpose drives

#### Product family

Table 1 Members of 2EDL family

Sales Name	Special function	output current	Target transistor	typ. LS UVLO-thresholds	Bootstrap diode	Package
2EDL05I06PF 2EDL05I06PJ	deadtime, interlock	0.5 A	IGBT	12.5 V / 11.6 V	Yes	DSO-8 DSO-14
2EDL05I06BF	–	0.5 A	IGBT	12.5 V / 11.6 V	Yes	DSO-8
2EDL05N06PF 2EDL05N06PJ	deadtime, interlock	0.5 A 0.5 A	MOSFET	9.1 V / 8.3 V	Yes	DSO-8 DSO-14

<sup>1</sup> J-STD-020 and JESD-022

### Description

The 2EDL family contains devices, which control power devices like MOS-transistors or IGBTs with a maximum blocking voltage of +600V in half bridge configurations. Based on the used SOI-technology there is an excellent ruggedness on transient voltages. No parasitic thyristor structures are present in the device. Hence, no parasitic latch up may occur at all temperature and voltage conditions.

The two independent drivers outputs are controlled at the low-side using two different CMOS resp. LSTTL compatible signals, down up to 3.3V logic. The device includes an under-voltage detection unit with hysteresis characteristic which are optimised either for IGBT or MOSFET.

Those parts, which are designed for IGBT have asymmetric undervoltage lockout levels, which support strongly the integrated ultrafast bootstrap diode. Additionally, the offline gate clamping function provides an inherent protection of the transistors for parasitic turn-on by floating gate conditions, when the IC is not supplied via VDD.

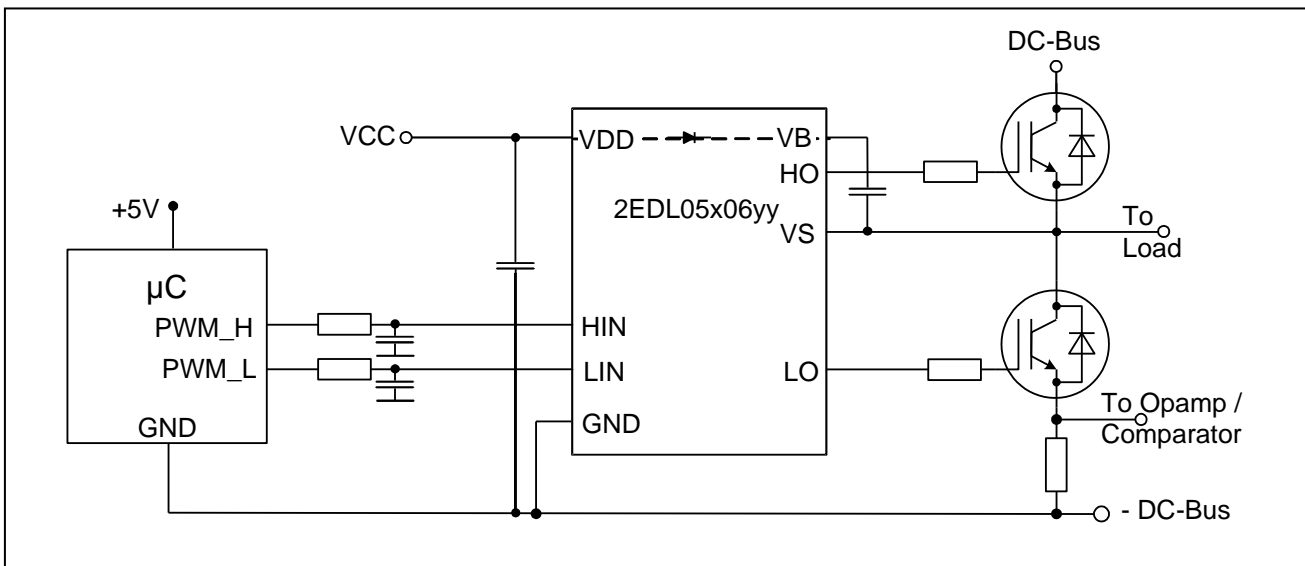


Figure 1 Typical Application  
SO8 / SO14 package 0.5 A



## 2 Blockdiagram

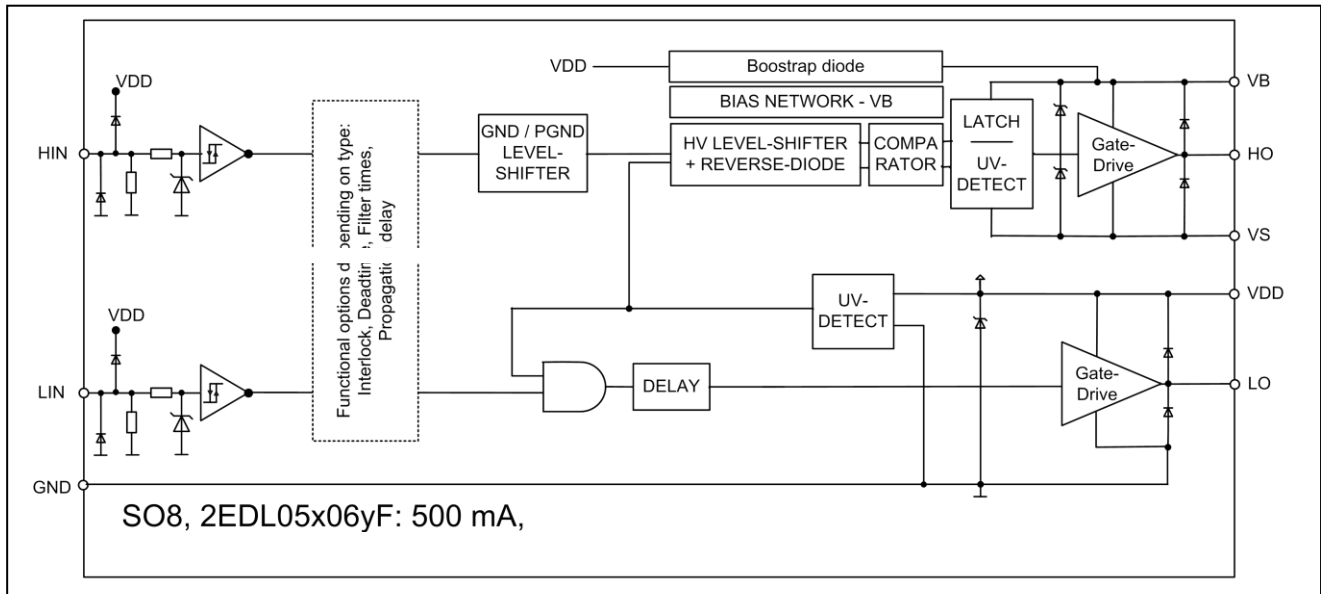


Figure 2 Block diagram for 2EDL05x06Py

### 3 Pin configuration, description, and functionality

#### 3.1 Pin Configuration and Description

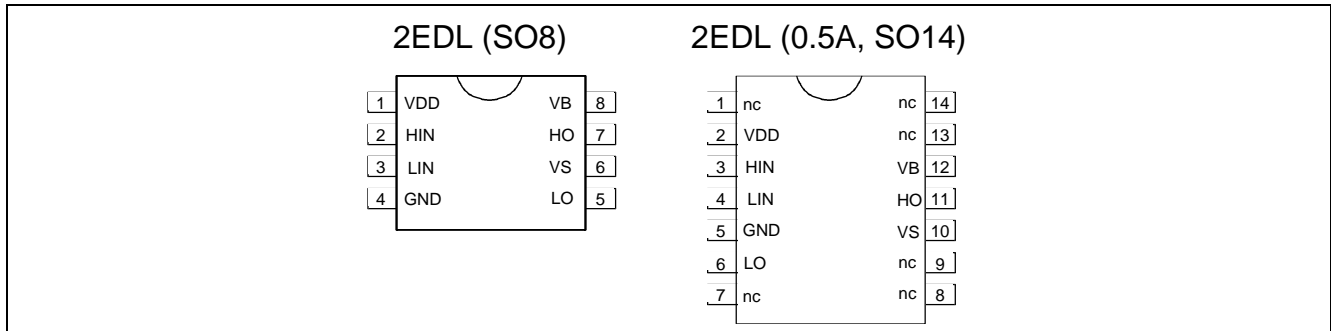


Figure 3 Pin Configuration of 2EDL family

Table 2 Pin Description

Symbol	Description
VDD	Low side power supply
GND	Logic ground
HIN	High side logic input
LIN	Low side logic input
VB	High side positive power supply
HO	High side gate driver output
VS	High side negative power supply
LO	Low side gate driver output
nc	Not Connected

#### 3.2 Low Side and High Side Control Pins (LIN, HIN)

##### 3.2.1 Input voltage range

All input pins have the capability to process input voltages up to the supply voltage of the IC. The inputs are therefore internally clamped to VDD and GND by diodes. An internal pull-down resistor is high ohmic, so that it can keep the IC in a safe state in case of PCB crack.

##### 3.2.2 Switching levels

The Schmitt trigger input threshold is such to guarantee LSTTL and CMOS compatibility down to 3.3 V controller outputs. The input Schmitt trigger and noise filter provide beneficial noise rejection to short input pulses according to Figure 4 and Figure 5. Please note, that the switching levels of the input structures remain constant even though they can accept amplitudes up to the IC supply level.

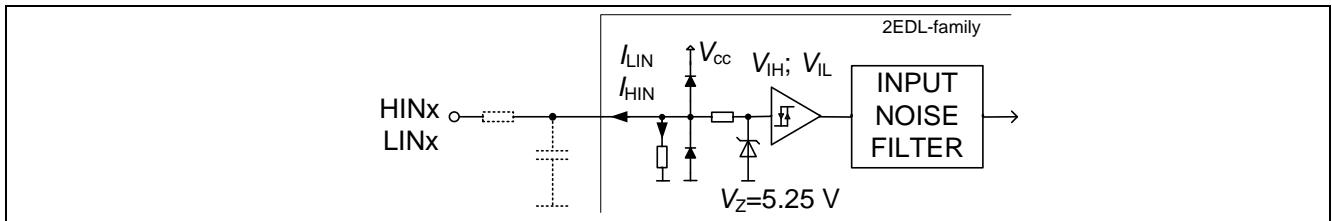


Figure 4 Input pin structure

### 3.2.3 Input filter time

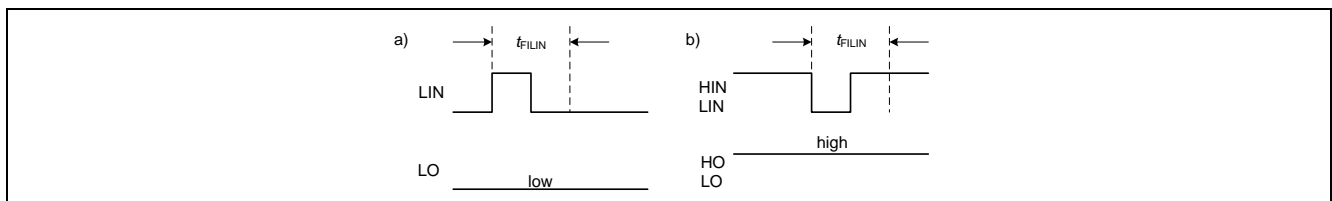


Figure 5 Input filter timing diagram

Short pulses are suppressed by means of an input filter. All IC, which have undervoltage lockout (UVLO) thresholds for MOSFET, have an input filter time of  $t_{FILIN} = 75\text{ns}$  typ. and  $150\text{ns}$  max. All IC having UVLO thresholds for IGBT have filter times of  $t_{FILIN} = 150\text{ns}$  min and  $200\text{ns}$  typ.

## 3.3 VDD and GND

VDD is the low side supply and it provides power to both the input logic and the low side output power stage. The input logic is referenced to GND ground as well as the under-voltage detection circuit. Output power stage is also referenced to GND ground.

The undervoltage lockout circuit enables the device to operate at power on when a typical supply voltage higher than  $V_{DDUV+}$  is present. Please see section 3.6 “Undervoltage lockout” for further information.

A filter time of typ.  $1.8\mu\text{s}$ <sup>1</sup> helps to suppress noise from the UVLO circuit, so that negative going voltage spikes at the supply pins will avoid parasitic UVLO events.

## 3.4 VB and VS (High Side Supplies)

VB to VS is the high side supply voltage. The high side circuit can float with respect to GND following the external high side power device emitter/source voltage. Due to the low power consumption, the floating driver stage can be supplied by bootstrap topology connected to VDD. A filter time of typ.  $1.8\mu\text{s}$ <sup>1</sup> helps to suppress noise from the UVLO circuit, so that negative going voltage spikes at the supply pins will avoid parasitic UVLO events.

The under-voltage circuit enables the device to operate at power on when a typical supply voltage higher than  $V_{DDUV+}$  is present. Please see section 3.6 “Undervoltage lockout” for further information. Details on bootstrap supply section and transient immunity can be found in application note [EiceDRIVER™ 2EDL family: Technical description](#).

## 3.5 LO and HO (Low and High Side Outputs)

Low side and high side power outputs are specifically designed for pulse operation such as gate drive for IGBT and MOSFET devices. Low side output is state triggered by the respective input, while high side output is edge triggered by the respective input. In particular, after an undervoltage condition of the VBS supply, a new turn-on signal (edge) is necessary to activate the high side output. In contrast, the low side outputs switch to the state of their respective inputs after an undervoltage condition of the VDD supply.

The output current specification  $I_{O+}$  and  $I_{O-}$  is defined in a way, which considers the power transistors miller voltage. This helps to design the gate drive better in terms of the application needs. Nevertheless, the devices are also characterised for the value of the pulse short circuit value  $I_{Opk+}$  and  $I_{Opk-}$ .

### 3.6 Undervoltage lockout (UVLO)

Two different UVLO options are required for IGBT and MOSFET. The types 2EDL05I06Px and 2EDL05I06BF are designed to drive IGBT. There are higher levels of undervoltage lockout for the low side UVLO than for the high side. This supports an improved start up of the IC, when bootstrapping is used. The thresholds for the low side are typically  $V_{DDUV+} = 12.5$  V (positive going) and  $V_{DDUV-} = 11.6$  V (negative going). The thresholds for the high side are typically  $V_{BSUV+} = 11.6$  V (positive going) and  $V_{BSUV-} = 10.7$  V (negative going).

The types 2EDL05N06Px are designed to drive power MOSFET. A similar distinction for the high side and low side UVLO threshold as for IGBT is not realised here. The IC shuts down all the gate drivers power outputs, when the supply voltage is below typ.  $V_{DDUV-} = 8.3$  V (min. / max. = 7.5 V / 9 V). The turn-on threshold is typ.  $V_{DDUV+} = 9.1$  V (min. / max. = 8.3 V / 9.9 V)

### 3.7 Bootstrap diode

An ultra fast bootstrap diode is monolithically integrated for establishing the high side supply. The differential resistor of the diode helps to avoid extremely high inrush currents when charging the bootstrap capacitor initially.

### 3.8 Deadtime and interlock function

The IC provides a hardware fixed deadtime. The deadtime is different for the two MOSFET types (2EDL05N06Px) and for the two IGBT types (2EDL05I06Px). The deadtimes are particularly typ. 380 ns for IGBT and typ. 75 ns for MOSFET. An additional interlock function prevents the two outputs from being activated simultaneously.

The part 2EDL05I06BF does not have the deadtime feature and also not the interlock function. Here, the two outputs can be activated simultaneously.

---

<sup>1</sup> Not subject of production test, verified by characterisation

## 4 Electrical Parameters

### 4.1 Absolute Maximum Ratings

All voltages are absolute voltages referenced to  $V_{GND}$  -potential unless otherwise specified. ( $T_a=25^\circ\text{C}$ )

**Table 3 Abs. maximum ratings**

Parameter	Symbol	Min.	Max.	Unit	
High side offset voltage(Note 1)	$V_S$	$V_{DD}-V_{BS}-6$	600	V	
High side offset voltage ( $t_p<500\text{ns}$ , Note 1)		$V_{DD}-V_{BS}-50$	–		
High side offset voltage(Note 1)	$V_B$	$V_{DD}-6$	620		
High side offset voltage ( $t_p<500\text{ns}$ , Note 1)		$V_{DD}-50$	–		
High side floating supply voltage ( $V_B$ vs. $V_S$ ) (internally clamped)	$V_{BS}$	-1	20		
High side output voltage ( $V_{HO}$ vs. $V_S$ )	$V_{HO}$	-0.5	$V_B + 0.5$		
Low side supply voltage (internally clamped)	$V_{DD}$	-1	20		
Low side output voltage ( $V_{LO}$ vs. $V_{GND}$ )	$V_{LO}$	-0.5	$V_{GND} + 0.5$		
Input voltage LIN,HIN	$V_{IN}$	-0.5	$V_{DD} + 0.5$		
Power dissipation (to package) (Note 2)		DSO8	–	0.6	W
		DSO14	–	0.85	
Thermal resistance (junction to ambient, see section 6)		DSO8	–	195	K/W
		DSO14	–	139	
Junction temperature (Note 3)	$T_J$	–	150	$^\circ\text{C}$	
Storage temperature	$T_S$	- 40	150		
offset voltage slew rate (Note 4)	$dV_S/dt$	–	50	V/ns	

Note :The minimum value for ESD immunity is 1.0kV (Human Body Model). ESD immunity inside pins connected to the low side ( $V_{DD}$ , HIN, LIN, GND, LO) and pins connected inside each high side itself ( $V_B$ , HO, VS) is guaranteed up to 1.5kV (Human Body Model) respectively.

Note 1 : In case  $V_{DD} > V_B$  there is an additional power dissipation in the internal bootstrap diode between pins  $V_{DD}$  and  $V_B$  in case of activated bootstrap diode. Insensitivity of bridge output to negative transient voltage up to  $-50\text{V}$  is not subject to production test – verified by design / characterization.

Note 2: Consistent power dissipation of all outputs. All parameters are inside operating range.

Note 3: Qualification stress tests cover a max. junction temperature of  $150^\circ\text{C}$  for 1000 h.

Note 4: Not subject of production test, verified by characterisation.

## 4.2 Required operation conditions

All voltages are absolute voltages referenced to  $V_{GND}$  -potential unless otherwise specified. ( $T_a = 25^\circ\text{C}$ )

**Table 4 Required Operation Conditions**

Parameter	Symbol	Min.	Max.	Unit
High side offset voltage (Note 1)	$V_B$	7	620	V
Low side supply voltage (internally clamped)	$V_{DD}$	10	20	

## 4.3 Operating Range

All voltages are absolute voltages referenced to  $V_{GND}$  -potential unless otherwise specified. ( $T_a = 25^\circ\text{C}$ )

**Table 5 Operating range**

Parameter		Symbol	Min.	Max.	Unit
High side floating supply offset voltage		$V_S$	$V_{DD} - V_{BS} - 1$	500	V
High side floating supply offset voltage ( $V_B$ vs. $V_{DD}$ , statically)		$V_{BDD}$	-1.0	500	
High side floating supply voltage ( $V_B$ vs. $V_S$ , Note 1)	IGBT-Types	$V_{BS}$	13	17.5	
	MOSFET-Types		10	17.5	
High side output voltage ( $V_{HO}$ vs. $V_S$ )		$V_{HO}$	0	$V_{BS}$	
Low side output voltage ( $V_{LO}$ vs. $V_{GND}$ )		$V_{LO}$	0	$V_{DD}$	
Low side supply voltage	IGBT-Types	$V_{DD}$	13	17.5	
	MOSFET-Types		10	17.5	
Logic input voltages LIN,HIN (Note 2)		$V_{IN}$	0	17.5	
Pulse width for ON or OFF (Note 3)	IGBT-Types	$t_{IN}$	0.8	–	
	MOSFET-Types		0.3	–	
Ambient temperature		$T_a$	-40	105	$^\circ\text{C}$
Thermal coefficient (junction to top, see section 6)	DSO8	$\Psi_{th(j-top)}$	–	8.0	K/W
	DSO14		–	6.0	

Note 1 : Logic operational for  $V_B$  ( $V_B$  vs.  $V_{GND}$ ) > 7.0V

Note 2 : All input pins (HIN, LIN) are internally clamped (see abs. maximum ratings)

Note 3 : The input pulse may not be transmitted properly in case of input pulse width at LIN and HIN below 0.8 $\mu\text{s}$  (IGBT types) or 0.3  $\mu\text{s}$  (MOSFET) respectively

#### 4.4 Static logic function table

VDD	VBS	LO	HO
$<V_{DDUV-}$	X	0	0
15V	$<V_{BSUV-}$	LIN	0
15V	15V	0	0
15V	15V	0	0
15V	15V	LIN	HIN

all voltages with reference to GND

#### 4.5 Static parameters

$V_{DD} = V_{BS} = 15V$  unless otherwise specified. ( $T_a = 25^\circ C$ )

**Table 6** Static parameters

Parameter	Symbol	Values			Unit	Test condition
		Min.	Typ.	Max.		
High level input voltage	$V_{IH}$	1.7	2.1	2.4	V	
Low level input voltage	$V_{IL}$	0.7	0.9	1.1		
High level output voltage	LO HO $V_{OH}$	–	$V_{DD} - 0.45$ $V_B - 0.45$	$V_{DD} - 1$ $V_B - 1$		$I_O = -20\text{ mA}$
Low level output voltage	LO HO $V_{OL}$	–	$V_{GND} + 0.13$ $V_S + 0.13$	$V_{GND} + 0.3$ $V_S + 0.3$		$I_O = 20\text{ mA}$
$V_{DD}$ supply undervoltage positive going threshold	IGBT-types $V_{DDUV+}$	11.8	12.5	13.2		
	MOSFET types	8.3	9.1	9.9		
$V_{BS}$ supply undervoltage positive going threshold	IGBT-types $V_{BSUV+}$	10.9	11.6	12.4		
	MOSFET types	8.3	9.1	9.9		
$V_{DD}$ supply undervoltage negative going threshold	IGBT-types $V_{DDUV-}$	10.9	11.6	12.4		
	MOSFET types	7.5	8.3	9		
$V_{BS}$ supply undervoltage negative going threshold	IGBT-types $V_{BSUV-}$	10	10.7	11.7		
	MOSFET types	7.5	8.3	9		
$V_{DD}$ and $V_{BS}$ supply UVLO hysteresis	IGBT-types $V_{DDUVH}$	0.5	0.9	–		
	MOSFET types $V_{BSUVH}$	0.5	0.9	–		
High side leakage current betw. VS and GND	$I_{LVS+}$	–	1	12.5	$\mu A$	$V_S = 600V$
High side leakage current betw. VS and GND	$I_{LVS+}^1$	–	10	–		$T_J = 125^\circ C$ , $V_S = 600\text{ V}$
Quiescent current $V_{BS}$ supply (VB only)	$I_{QBS1}$	–	170	300		HO = low depending on current types
Quiescent current $V_{BS}$ supply (VB only)	$I_{QBS2}$	–	170	300		HO = high depending on

<sup>1</sup> Not subject of production test, verified by characterisation

**Table 6 Static parameters**

Parameter	Symbol	Values			Unit	Test condition
		Min.	Typ.	Max.		
Quiescent current VDD supply (VDD only)	$I_{QDD1}$	–	0.3	0.6	mA	current types $V_{LIN} = \text{float}$ .
Quiescent current VDD supply (VDD only)	$I_{QDD2}$	–	0.28	0.6		$V_{LIN} = 3.3 \text{ V}$ , $V_{HIN} = 0$
Quiescent current VDD supply (VDD only)	$I_{QDD3}$	–	0.28	0.6		$V_{LIN} = 0$ , $V_{HIN} = 3.3 \text{ V}$
Input bias current	$I_{LIN+}$	15	35	60	$\mu\text{A}$	$V_{LIN} = 3.3 \text{ V}$
Input bias current	$I_{LIN-}$	–	0	–		$V_{LIN} = 0$
Input bias current	$I_{HIN+}$	15	35	60		$V_{HIN} = 3.3 \text{ V}$
Input bias current	$I_{HIN-}$	–	0	–		$V_{HIN} = 0$
Mean output current for load capacity charging in range from 3 V (20%) to 6 V (40%)	$I_{O+}$	0.18	0.23	–	A	$C_L = 22 \text{ nF}$
Peak output current turn on (single pulse)	$I_{Opk+}^1$	–	0.36	–		$R_L = 0 \Omega$ , $t_p < 10 \mu\text{s}$
Mean output current for load capacity discharging in range from 12 V (80%) to 9 V (60%)	$I_{O-}$	0.39	0.48	–		$C_L = 22 \text{ nF}$
Peak output current turn off (single pulse)	$I_{Opk-}^1$	–	0.70	–		$R_L = 0 \Omega$ , $t_p < 10 \mu\text{s}$
Bootstrap diode forward voltage between VDD and VB	$V_{F,BSD}$	–	1.0	1.2	V	$I_F = 0.3 \text{ mA}$
Bootstrap diode forward current between VDD and VB	$I_{F,BSD}$	30	55	80	mA	$V_{DD} - V_B = 4 \text{ V}$
Bootstrap diode resistance	$R_{BSD}$	20	36	54	$\Omega$	$V_{F1} = 4 \text{ V}$ , $V_{F2} = 5 \text{ V}$

<sup>1</sup> Not subject of production test, verified by characterisation



#### 4.6 Dynamic parameters

$V_{DD} = V_{BS} = 15\text{ V}$ ,  $V_S = V_{GND}$ ,  $C_L = 180\text{ pF}$  unless otherwise specified. ( $T_A=25^\circ\text{C}$ )

**Table 7** Dynamic parameters

Parameter		Symbol	Values			Unit	Test condition	
			Min.	Typ.	Max.			
Turn-on propagation delay	IGBT types	$t_{on}$	280	420	610	ns	$V_{LIN/HIN} = 0$ or $3.3\text{ V}$	
	MOSFET types		210	310	460			
Turn-off propagation delay	IGBT types	$t_{off}$	260	400	590			
	MOSFET types		200	300	440			
Turn-on rise time		$t_r$	–	48	80		$V_{LIN/HIN} = 0$ or $3.3\text{ V}$ $C_L = 1\text{ nF}$	
Turn-off fall time		$t_f$	–	24	40			
Input filter time at LIN/HIN for turn on and off	IGBT types	$t_{FILIN}$	120	192	–	ns	$V_{LIN/HIN} = 0$ & $3.3\text{ V}$	
	MOSFET types							
Dead time (not for 2EDL05I06BF)	IGBT types	DT	260	380	540		ns	$V_{LIN/HIN} = 0$ & $3.3\text{ V}$
	MOSFET types		30	75	140			
Dead time matching $\text{abs}(DT_{LH} - DT_{HL})$ for single IC (not for 2EDL05I06BF)	IGBT types	MDT	–	10	80	ext. dead time 0ns		
	MOSFET types			10	50			
Matching delay ON, $\text{abs}(ton_{HS} - ton_{LS})$		$MT_{ON}$	–	10	60	external dead time > 500 ns		
Matching delay OFF, $\text{abs}(toff_{HS} - toff_{LS})$		$MT_{OFF}$	–	10	60	external dead time >500 ns		
Output pulse width matching. $PW_{in} - PW_{out}$	IGBT types	PM	–	20	80	$PW_{in} > 1\text{ }\mu\text{s}$		
	MOSFET types		–	20	70			

## 5 Timing diagrams

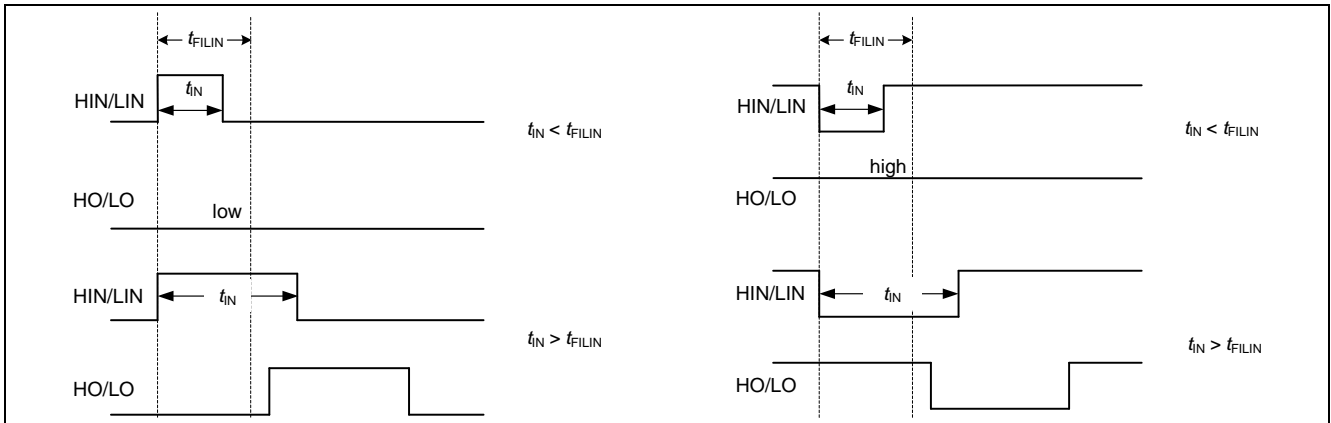


Figure 6 Timing of short pulse suppression

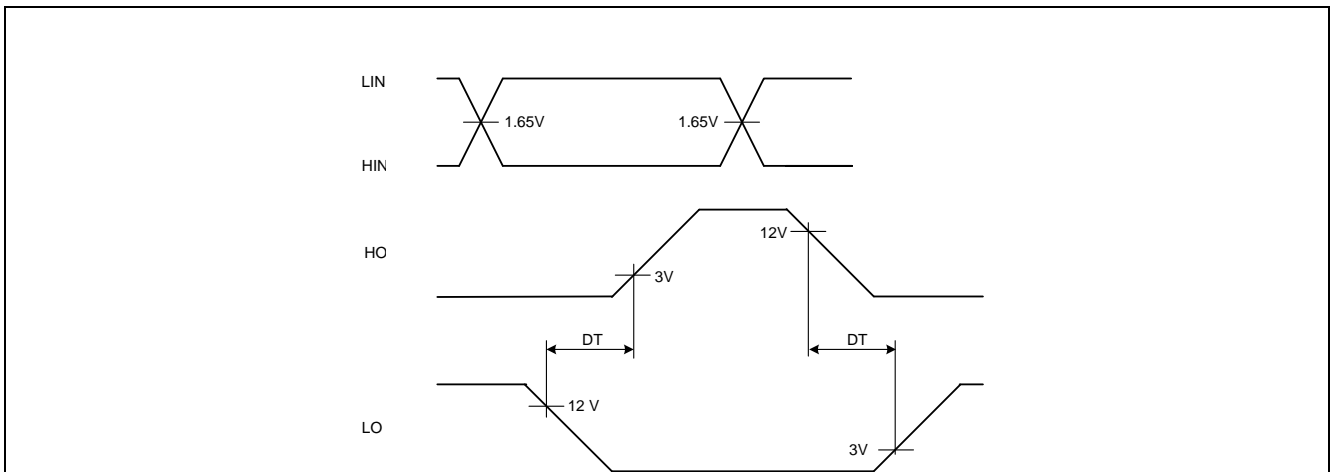


Figure 7 Timing of of internal deadtime

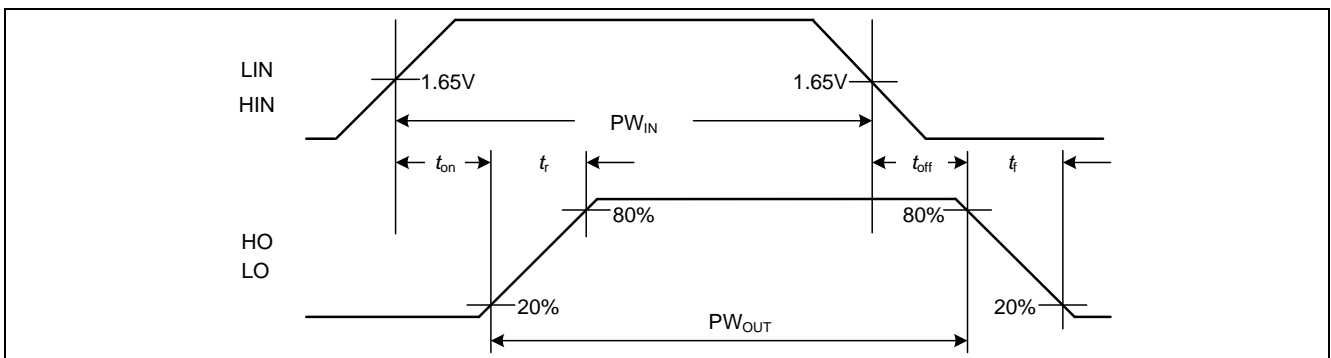


Figure 8 Input to output propagation delay times and switching times definition

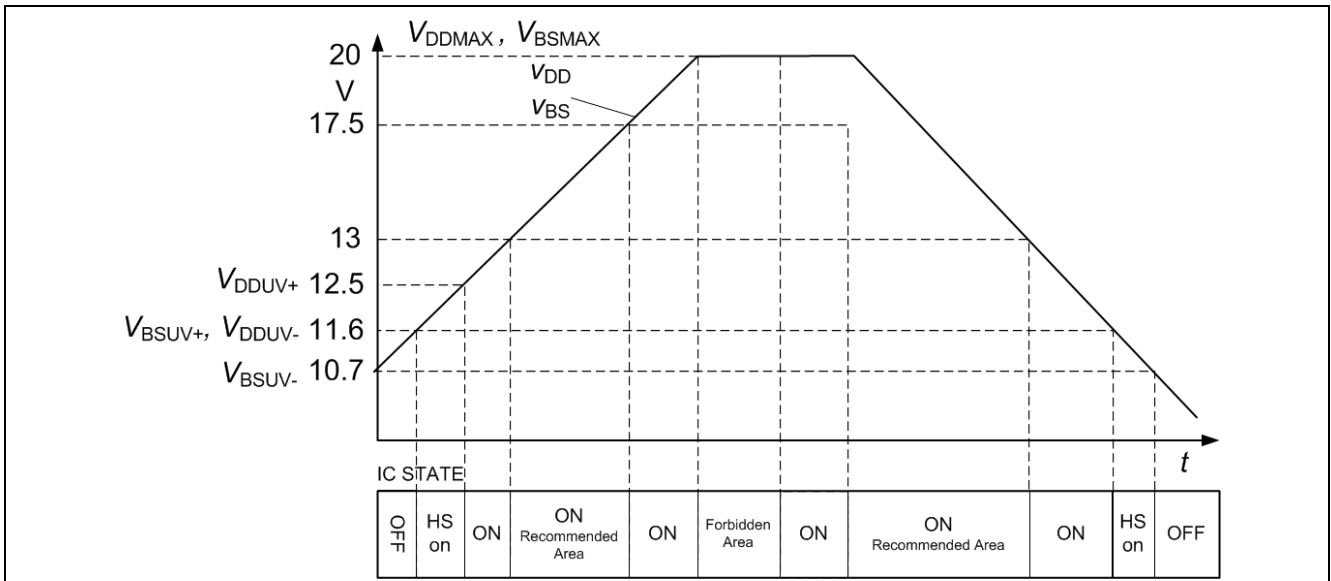


Figure 9 Operating areas (IGBT UVLO levels)

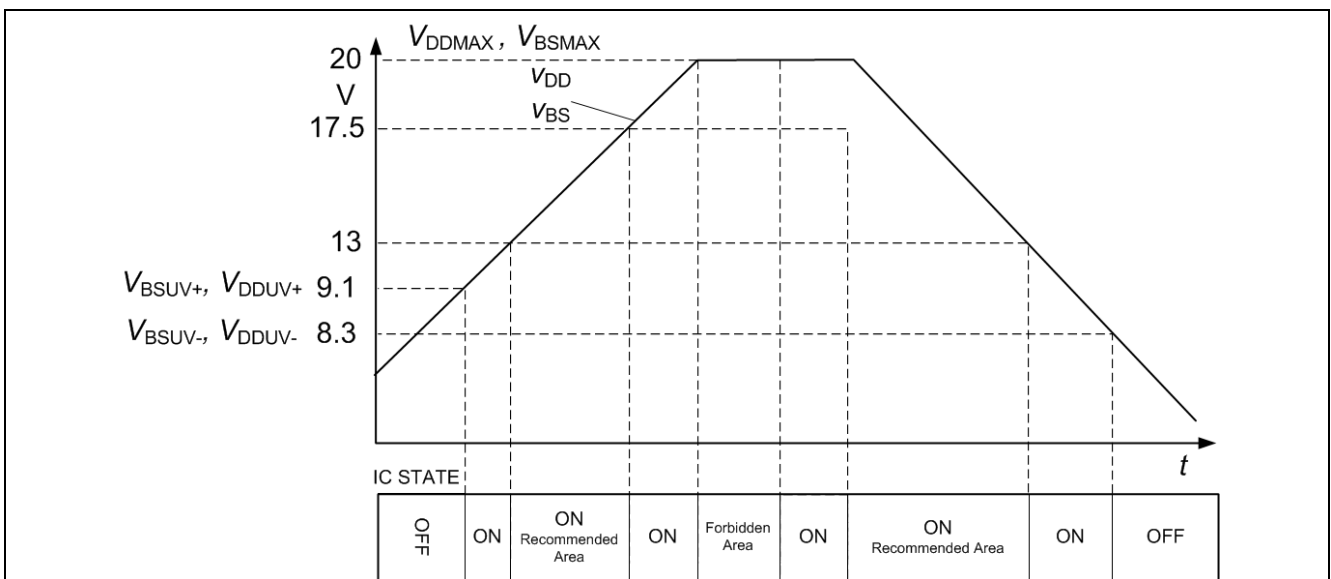


Figure 10 Operating areas (MOSFET UVLO levels)

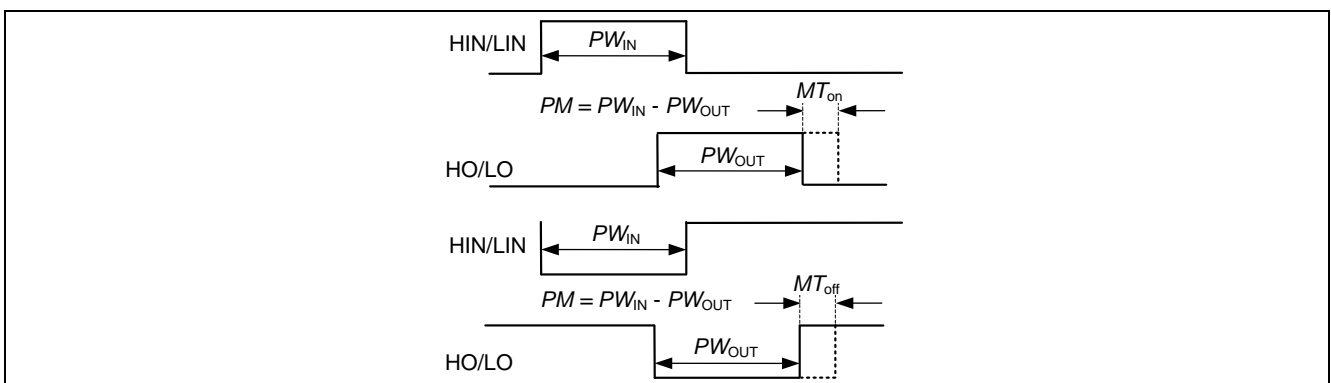


Figure 11 Output pulse width timing and matching delay timing diagram for positive logic

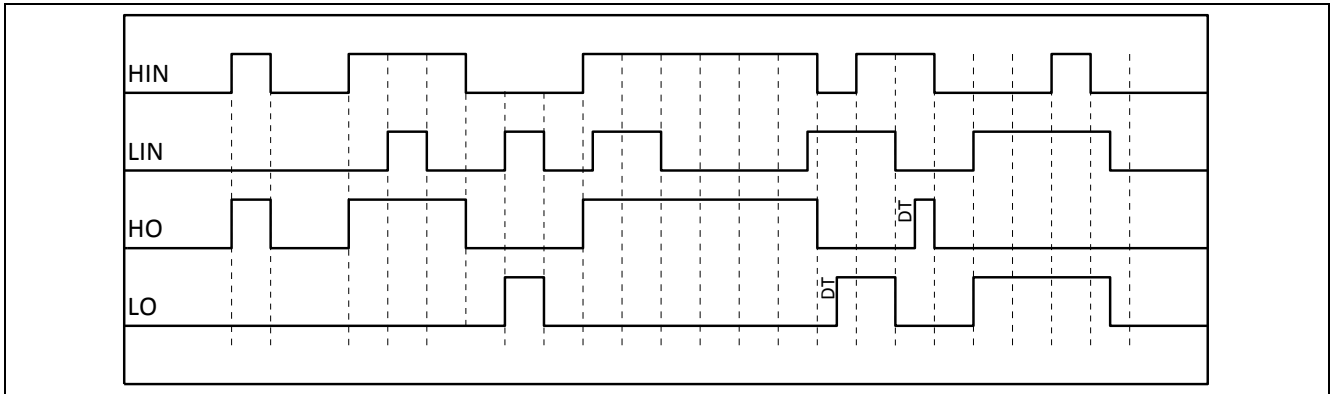


Figure 12 Deadtime and interlock

## 6 Package

### 6.1 PG-DSO-8

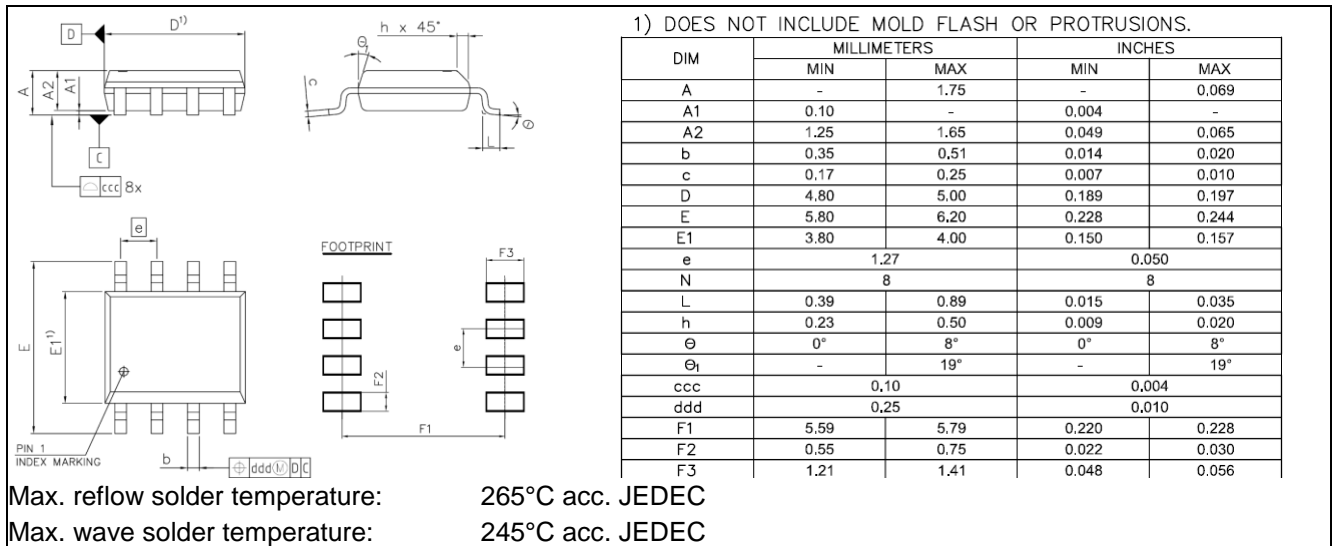


Figure 13 Package drawing

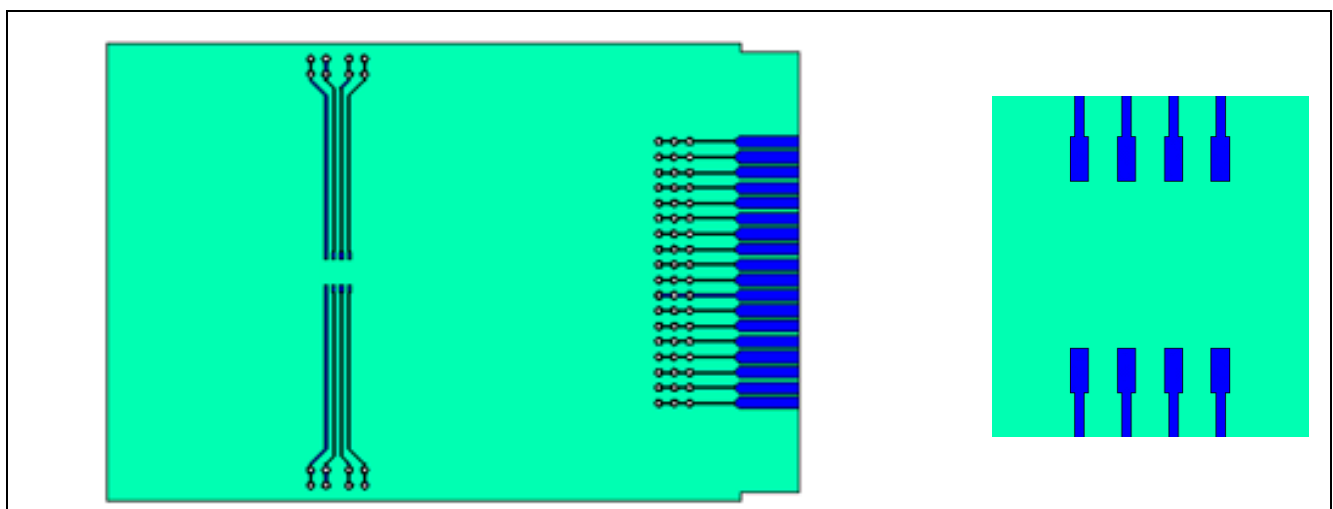


Figure 14 PCB reference layout  
left: Reference layout  
right: detail of footprint

The thermal coefficient is used to calculate the junction temperature, when the IC surface temperature is measured. The junction temperature is

$$T_j = \Psi_{th(j-top)} \cdot P_d + T_{top}$$

Table 8 Data of reference layout

Dimensions	Material	Metal (Copper)
76.2 × 114.3 × 1.5 mm <sup>3</sup>	FR4 ( $\lambda_{therm} = 0.3$ W/mK)	70μm ( $\lambda_{therm} = 388$ W/mK)

6.2 PG-DSO-14

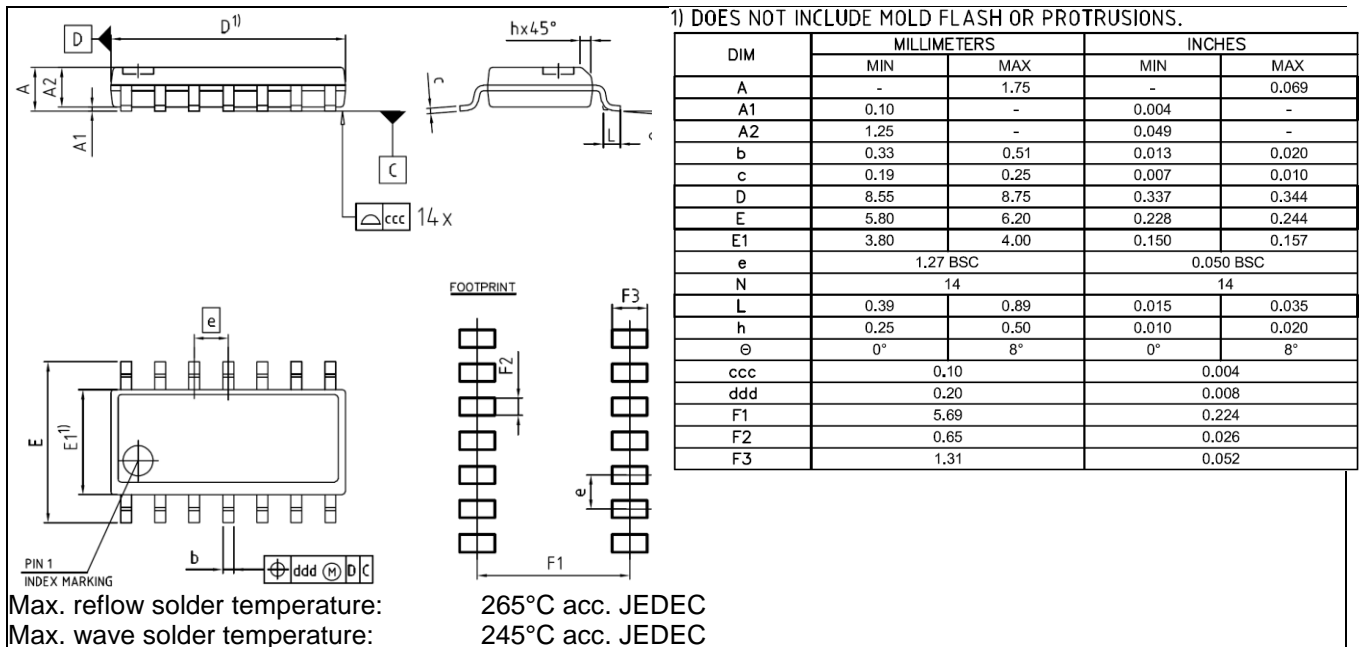


Figure 15 Package drawing

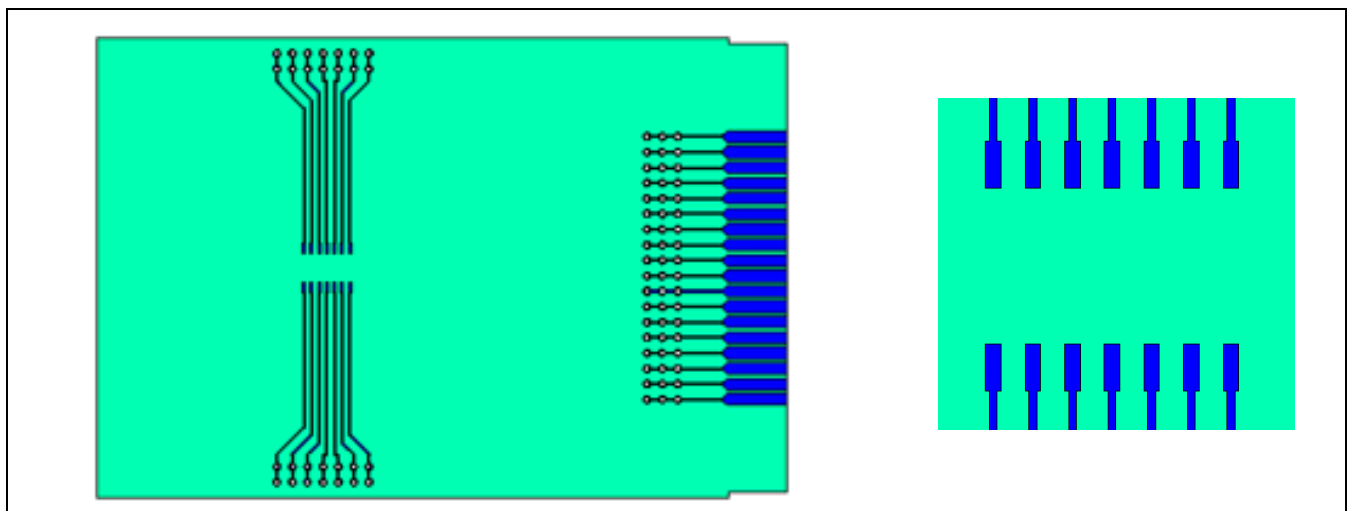


Figure 16 PCB reference layout (according to JEDEC 1s0P)  
left: Reference layout  
right: detail of footprint

The thermal coefficient is used to calculate the junction temperature, when the IC surface temperature is measured. The junction temperature is

$$T_j = \Psi_{th(j-top)} \cdot P_d + T_{top}$$

Table 9 Data of reference layout

Dimensions	Material	Metal (Copper)
76.2 × 114.3 × 1.5 mm <sup>3</sup>	FR4 ( $\lambda_{therm} = 0.3$ W/mK)	70μm ( $\lambda_{therm} = 388$ W/mK)

[www.infineon.com](http://www.infineon.com)

Published by Infineon Technologies AG