

# EiceDRIVER™ gate driver 1EDI3021AS

## Single channel isolated IGBT driver



Order now



Technical documents



Simulation



Family overview



Support



RoHS



ISO 26262 compliant

## Features

- Single channel isolated IGBT driver using coreless transformer technology
- For IGBTs up to 1200 V
- CMTI up to 150 V/ns at 1000 V
- Reinforced insulation 8 kV peak according to DIN EN IEC 60747-17 (VDE 0884-17) : 2021-10
- 5.7 kV rms insulation according to UL 1577
- Min. 12 A peak current rail-to-rail output
- Propagation delay 60 ns typical
- Typ. 10 A integrated Active Miller Clamp supports unipolar switching
- ASC pin for PMSM motor drive application
- Integrated safety features to support ASIL B(D):
  - Redundant DESAT and OCP protection
  - Gate and output stage monitoring
  - Shoot-through protection
  - Primary/secondary supply monitoring
  - Internal supervision
- ISO 26262 Safety Element out of Context for safety requirements up to ASIL B
- Green Product (RoHS compliant)



## Potential applications

- Traction inverters for HEV and EV
- Auxiliary inverters for HEV and EV
- High power DC/DC converters

## Product validation

Qualified for automotive applications. Product validation according to AEC-Q100.

## Description

The EiceDRIVER™ gate driver 1EDI3021AS is a high-voltage IGBT driver designed for automotive motor drives above 5 kW. The device is based on Infineon's coreless transformer (CT) technology, providing galvanic insulation between low voltage and high voltage domains. The device has been designed to support 400 V, 600 V and 1200 V IGBT technologies.

# EiceDRIVER™ gate driver 1EDI3021AS

## Single channel isolated IGBT driver



### Description

The device features a high output stage of minimum 12 A peak current. A comprehensive feature set allows advanced protection of the device and the power switch, as well as optimized driver performance and robustness.

The device can be connected on the low voltage side (“primary” side) to 5 V and 3.3 V logic.

On the high voltage side (secondary side), the device is dimensioned to drive the gate of IGBTs directly. Short propagation delays and controlled internal tolerances lead to a minimal distortion of the PWM signal. In addition, there is a Miller clamping stage with minimum 12 A integrated, which allows unipolar supply of the IGBT.

The device features a secondary side active short circuit pin (ASC) to trigger a safe state for PMSM drive applications and a detailed error diagnosis via a PWM signal.

A large panel of safety related functions supports functional safety requirements at system level as per ISO 26262. Besides, these integrated features ease the implementation of a transition to safe-state.

| Type       | Package   | Marking    |
|------------|-----------|------------|
| 1EDI3021AS | PG-DSO-20 | 1EDI3021AS |

## Table of contents

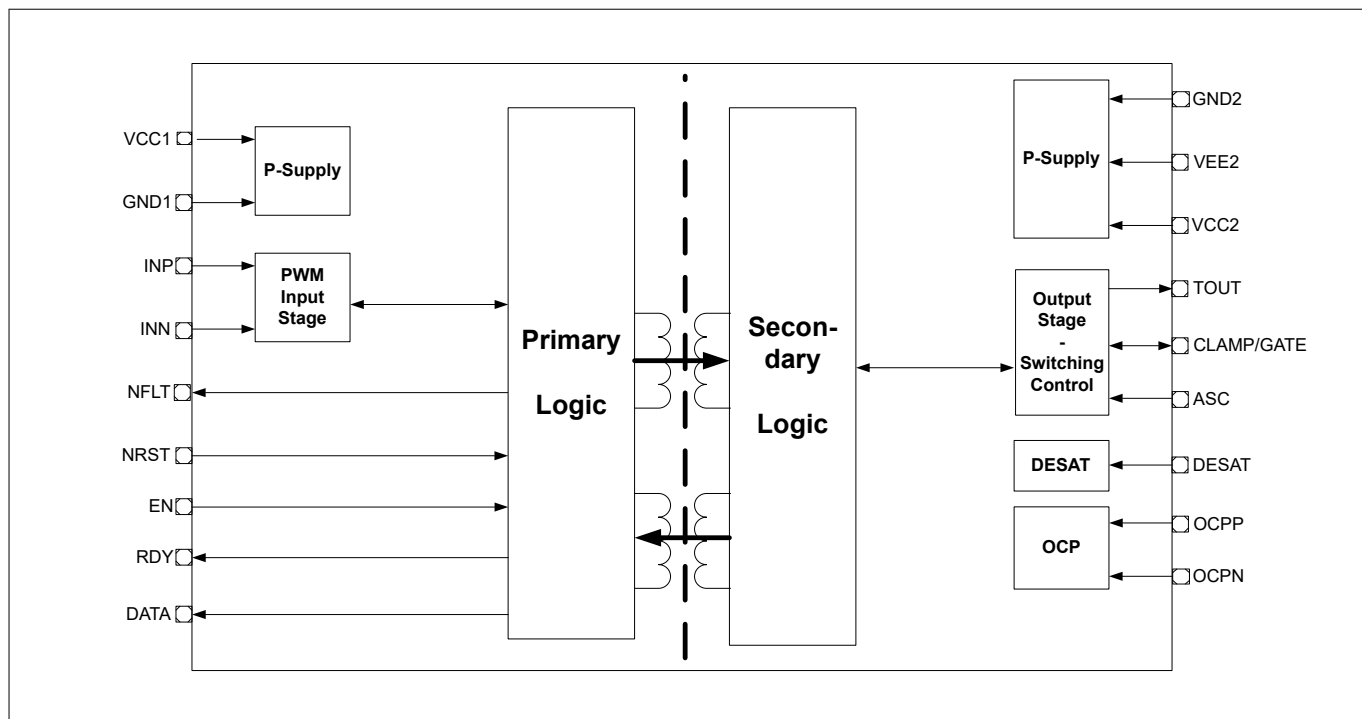
|          |  |    |
|----------|--|----|
|          | <b>Features</b> .....                            | 1  |
|          | <b>Potential applications</b> .....              | 1  |
|          | <b>Product validation</b> .....                  | 1  |
|          | <b>Description</b> .....                         | 1  |
|          | <b>Table of contents</b> .....                   | 3  |
| <b>1</b> | <b>Block diagram</b> .....                       | 5  |
| <b>2</b> | <b>Pin configuration</b> .....                   | 6  |
| 2.1      | Pin definitions and functions .....              | 6  |
| <b>3</b> | <b>General product characteristics</b> .....     | 8  |
| 3.1      | Absolute maximum ratings .....                   | 8  |
| 3.2      | Functional range .....                           | 9  |
| 3.3      | Thermal characteristics .....                    | 10 |
| 3.4      | Insulation characteristics .....                 | 12 |
| <b>4</b> | <b>Operating modes</b> .....                     | 14 |
| 4.1      | Operating modes diagram .....                    | 14 |
| 4.2      | Operating modes description .....                | 14 |
| 4.3      | Single failure events in Normal_Mode .....       | 15 |
| <b>5</b> | <b>Power supply</b> .....                        | 16 |
| 5.1      | Bipolar and unipolar supplies .....              | 16 |
| 5.2      | Electrical characteristics power supply .....    | 16 |
| <b>6</b> | <b>Switching characteristics</b> .....           | 18 |
| 6.1      | Functional description switching .....           | 18 |
| 6.2      | Electrical characteristics switching .....       | 18 |
| <b>7</b> | <b>Protection and monitoring functions</b> ..... | 20 |
| 7.1      | DESAT protection .....                           | 20 |
| 7.2      | Over Current Protection (OCP) .....              | 22 |
| 7.3      | Safe turn-off .....                              | 24 |
| 7.4      | Shoot Through Protection (STP) .....             | 26 |
| 7.5      | Power supply monitoring .....                    | 27 |
| 7.6      | Gate monitoring .....                            | 29 |
| 7.7      | Output stage monitoring .....                    | 31 |
| <b>8</b> | <b>Clamping functions</b> .....                  | 35 |
| 8.1      | Active Miller clamp .....                        | 35 |
| 8.2      | Passive clamping .....                           | 36 |
| <b>9</b> | <b>Active Short Circuit (ASC)</b> .....          | 37 |
| 9.1      | Functional description ASC .....                 | 37 |

**Table of contents**

|           |  |           |
|-----------|--|-----------|
| 9.2       | Electrical characteristics ASC .....                 | 38        |
| <b>10</b> | <b>Interface</b> .....                               | <b>40</b> |
| 10.1      | Reset (NRST) .....                                   | 40        |
| 10.2      | Ready (RDY) .....                                    | 40        |
| 10.3      | Fault (NFLT) .....                                   | 41        |
| 10.4      | I/O levels .....                                     | 42        |
| 10.5      | DATA read-out .....                                  | 42        |
| <b>11</b> | <b>Application information</b> .....                 | <b>45</b> |
| 11.1      | Electrical characteristics external components ..... | 45        |
| 11.2      | Typical application example .....                    | 46        |
| <b>12</b> | <b>Package information</b> .....                     | <b>47</b> |
|           | <b>Revision history</b> .....                        | <b>48</b> |
|           | <b>Disclaimer</b> .....                              | <b>49</b> |

**1 Block diagram**

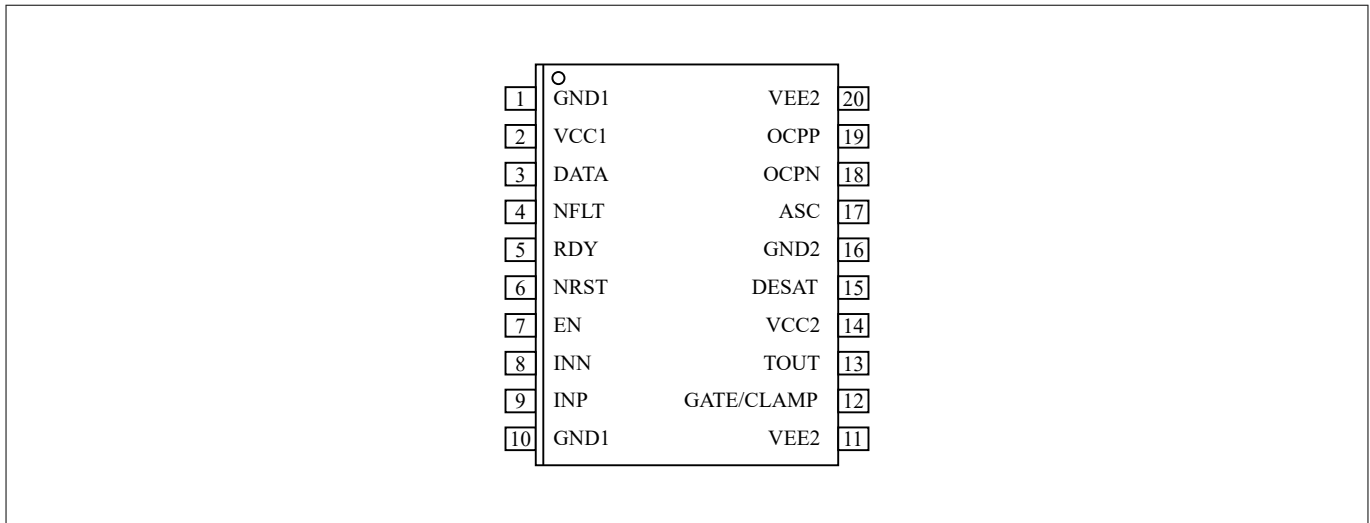
**1 Block diagram**



**Figure 1 Block diagram**

**2 Pin configuration**

**2 Pin configuration**



**Figure 2 Pin assignment**

**2.1 Pin definitions and functions**

**Table 1 Pin definition and functions**

| Pin # | Pin name | I/O    | Voltage class  | Function   |
|-------|----------|--------|----------------|--|
| 1     | GND1     | Ground | Primary ground | Ground connection for the primary side.  |
| 2     | VCC1     | Supply | Primary supply | 5 V/3.3 V power supply for the primary side (referring to GND1).   |
| 3     | DATA     | Output | 5 V primary    | The data pin is used for ADC or diagnosis data. This pin is a push-pull output which is driving a PWM signal according to the data.  |
| 4     | NFLT     | Output | 5 V primary    | The fault open-drain signal is used to report failure events triggered by DESAT or OCP protection. As a result the pin is driven to low. This pin has to be connected externally to VCC1 with a pull-up resistance.  |
| 5     | RDY      | Output | 5 V primary    | The ready open-drain signal is used to report failure events like UVLO1, UVLO2, OVLO2, Life Sign Lost, Output Stage Error, Gate Monitoring Error, etc. As a result this pin is driven to low. This pin has to be connected externally to VCC1 with a pull-up resistance. |
| 6     | NRST     | Input  | 5 V primary    | The reset signal is used to clear the failure/fault events which triggered RDY or NFLT active low. The signal is clearing an error on rising edge. An internal pull-down resistance is driving this pin to low state in case the pin is floating.                        |

**(table continues...)**

## 2 Pin configuration

**Table 1 (continued) Pin definition and functions**

| Pin # | Pin name       | I/O              | Voltage class    | Function   |
|-------|----------------|------------------|------------------|--|
| 7     | EN             | Input            | 5 V primary      | The enable signal allows the logic on the primary side to enable or disable the device. The logic levels are according to the used power supply. An internal weak pull-down resistance is disabling the device in case the pin is floating.                                      |
| 8     | INN            | Input            | 5 V primary      | The inverting PWM signal is used for monitoring for shoot through protection. An internal weak pull-up resistor to VCC1 drives this input to high state in case the pin is floating.   |
| 9     | INP            | Input            | 5 V primary      | The non-inverting PWM signal of the driver. An internal weak pull-down resistor to GND1 drives this input to low state in case the pin is floating.  |
| 10    | GND1           | Ground           | Primary ground   | Ground connection for the primary side.  |
| 11    | VEE2           | Supply           | Secondary supply | Negative power supply for the secondary side (referring to GND2).  |
| 12    | GATE/<br>CLAMP | Input/<br>Output | 15 V secondary   | The gate monitoring and clamp signal is monitoring the gate of the power switch and clamping the gate to VEE2 if the threshold VCLAMP is reached.  |
| 13    | TOUT           | Output           | 15 V secondary   | The transistor drive voltage signal switches the power switch gate to VCC2 or VEE2, according to the PWM input.  |
| 14    | VCC2           | Supply           | Secondary supply | Positive power supply for the secondary side (referring to GND2).  |
| 15    | DESAT          | Input            | 15 V secondary   | The desaturation protection signal monitors the voltage across the power switch. An internal current source to VCC2 drives this signal to high level in case it is floating.   |
| 16    | GND2           | Ground           | Secondary ground | Reference ground for the secondary side.   |
| 17    | ASC            | Input            | 15V secondary    | The ASC signal is used to switch the gate of the power switch on. This signal has higher priority as PWM and will overrule other inputs. If a Soft-Turn-Off is in progress this signal will not stop the turn-off, it will be delayed until after the soft-turn-off is finished. |
| 18    | OCPN           | Input            | 5 V secondary    | The negative over current protection signal is differential therefore it should be always close to OCPP signal. A common-mode filter should be applied to the OCPP signal.   |
| 19    | OCPN           | Input            | 5 V secondary    | The positive over current protection signal is differential therefore it should be always close to OCPN signal. A common-mode filter should be applied to the OCPN signal. An internal weak pull-up resistor drives this input to high state in case the pin is floating.        |
| 20    | VEE2           | Supply           | Secondary supply | Negative power supply for the secondary side (referring to GND2).  |

**3 General product characteristics**

**3 General product characteristics**

**3.1 Absolute maximum ratings**

**Table 2 Absolute maximum ratings**

$T_J = -40^{\circ}\text{C}$  to  $150^{\circ}\text{C}$ ; all voltages with respect to ground, pos. current flowing into pin (unless otherwise specified). Absolute maximum ratings are defined as ratings which when being exceeded may lead to destruction of the integrated circuit. Absolute maximum ratings are not subject to production test, specified by design.

| Parameter   | Symbol                | Values           |      |                  | Unit | Note or condition  | P-Number |
|---|-----------------------|------------------|------|------------------|------|--------------------|----------|
|   |                       | Min.             | Typ. | Max.             |      |                    |          |
| Positive power supply (primary)   | $V_{VCC1\_MAX}$       | -0.3             | -    | 7                | V    | Referenced to GND1 | PRQ-560  |
| Positive power supply (secondary)   | $V_{VCC2\_MAX}$       | -0.3             | -    | 30               | V    | Referenced to GND2 | PRQ-561  |
| Negative power supply (secondary)   | $V_{VEE2\_MAX}$       | -13              | -    | 0.3              | V    | Referenced to GND2 | PRQ-562  |
| Power supply voltage difference (secondary) VCC2-VEE2                         | $V_{VCC2-VEE2\_MAX}$  | -                | -    | 40               | V    |                    | PRQ-563  |
| Voltages on any I/O pin on primary side (INP, INN, NRST, DATA, RDY, NFLT, EN) | $V_{INX\_MAX}$        | -0.3             | -    | $V_{VCC1} + 0.3$ | V    | Referenced to GND1 | PRQ-564  |
| ASC voltage   | $V_{ASC\_MAX}$        | -0.3             | -    | $V_{CC2} + 0.3$  | V    | Referenced to GND2 | PRQ-565  |
| DESAT voltage   | $V_{DESAT\_MAX}$      | -0.3             | -    | $V_{VCC2} + 0.3$ | V    | Referenced to GND2 | PRQ-566  |
| OCP   | $V_{OCP\_MAX}$        | -2.8             | -    | 2.8              | V    | Referenced to GND2 | PRQ-788  |
| OCPN  | $V_{OCPN\_MAX}$       | -2.8             | -    | 2.8              | V    | Referenced to GND2 | PRQ-831  |
| Maximum Clamp/gate voltage  | $V_{Clamp/Gate\_MAX}$ | $V_{VEE2} - 0.3$ | -    | $V_{VCC2} + 0.3$ | V    | Referenced to GND2 | PRQ-567  |
| TOUT voltage  | $V_{OUT\_MAX}$        | $V_{VEE2} - 0.3$ | -    | $V_{VCC2} + 0.3$ | V    | Referenced to GND2 | PRQ-568  |

**(table continues...)**



### 3 General product characteristics

**Table 2 (continued) Absolute maximum ratings**

$T_J = -40^\circ\text{C}$  to  $150^\circ\text{C}$ ; all voltages with respect to ground, pos. current flowing into pin (unless otherwise specified). Absolute maximum ratings are defined as ratings which when being exceeded may lead to destruction of the integrated circuit. Absolute maximum ratings are not subject to production test, specified by design.

| Parameter                                      | Symbol                       | Values |      |      | Unit             | Note or condition  | P-Number |
|--|------------------------------|--------|------|------|------------------|--|----------|
|  |                              | Min.   | Typ. | Max. |                  |  |          |
| TOUT high output maximum current               | $I_{\text{OUTH\_MAX}}$       | -15    | -    | -    | A                | $t_{\text{MAX}} = 1.5 \mu\text{s}$ , non-repetitive          | PRQ-569  |
| TOUT low output maximum current                | $I_{\text{OUTL\_MAX}}$       | -      | -    | 15   | A                | $t_{\text{MAX}} = 1.5 \mu\text{s}$ , non-repetitive          | PRQ-570  |
| Gate/Clamp low maximum output current          | $I_{\text{Gate/Clamp\_Max}}$ | -      | -    | 15   | A                | $t_{\text{MAX}} = 1.5 \mu\text{s}$ , non-repetitive          | PRQ-848  |
| Current on output logic pins (DATA, RDY, NFLT) | $ I_{\text{OUTx\_MAX}} $     | -      | -    | 10   | mA               |  | PRQ-572  |
| ESD immunity                                   | $V_{\text{ESD\_HBM}}$        | -2     | -    | 2    | kV               | HBM according to AEC Q100-002, CDM according to AEC Q100-011 | PRQ-573  |
| Storage temperature                            | $T_{\text{s\_MAX}}$          | -55    | -    | 150  | $^\circ\text{C}$ |  | PRQ-575  |
| Junction temperature                           | $T_{\text{J\_MAX}}$          | -40    | -    | 150  | $^\circ\text{C}$ |  | PRQ-790  |

### 3.2 Functional range

**Table 3 Functional range**

$T_J = -40^\circ\text{C}$  to  $150^\circ\text{C}$ ; all voltages with respect to ground, pos. current flowing into pin (unless otherwise specified).

| Parameter                       | Symbol            | Values |      |      | Unit | Note or condition  | P-Number |
|---------------------------------|-------------------|--------|------|------|------|--------------------|----------|
|                                 |                   | Min.   | Typ. | Max. |      |                    |          |
| Positive power supply (primary) | $V_{\text{VCC1}}$ | 3      | -    | 5.5  | V    | Referenced to GND1 | PRQ-579  |
| VCC1 ramp-up slew-rate          | $t_{\text{RP1}}$  | -      | -    | 2000 | V/ms |                    | PRQ-797  |

**(table continues...)**

**3 General product characteristics**

**Table 3 (continued) Functional range**

$T_J = -40^{\circ}\text{C}$  to  $150^{\circ}\text{C}$ ; all voltages with respect to ground, pos. current flowing into pin (unless otherwise specified).

| Parameter   | Symbol          | Values    |      |            | Unit               | Note or condition         | P-Number |
|---|-----------------|-----------|------|------------|--------------------|---------------------------|----------|
|   |                 | Min.      | Typ. | Max.       |                    |                           |          |
| Positive power supply IGBT (secondary)                                    | $V_{VCC2}$      | 14.5      | 15   | 17.7       | V                  | Referenced to GND2        | PRQ-580  |
| VCC2 ramp-up slew-rate  | $t_{RP2}$       | -         | -    | 1000       | V/ms               |                           | PRQ-798  |
| Negative power supply (secondary)   | $V_{VEE2}$      | -11.5     | -5   | 0          | V                  | Referenced to GND2        | PRQ-581  |
| VEE2 ramp-up slew-rate  | $t_{RP3}$       | -100<br>0 | -    | -          | V/ms               |                           | PRQ-799  |
| Power supply voltage difference (secondary) VCC2-VEE2                     | $V_{VCC2-VEE2}$ | -         | -    | 25         | V                  |                           | PRQ-582  |
| Junction temperature  | $T_J$           | -40       | -    | 150        | $^{\circ}\text{C}$ |                           | PRQ-588  |
| Common mode transient immunity  | $dV_{ISO}/dt$   | -150      | -    | 150        | kV/ $\mu\text{s}$  | For voltages up to 1000 V | PRQ-589  |
| Voltages on any I/O pin on primary side (INP, INN, NRST, DATA, RDY, NFLT) | $V_{INx}$       | 0         | -    | $V_{VCC1}$ | V                  | Referenced to GND1        | PRQ-583  |

**3.3 Thermal characteristics**

The thermal capability of the device is depending on the used power module. The following formula and parameters can be used to calculate the maximum switching frequency for a dedicated power module:

$$f_{SW} = \frac{P_{SW} \cdot (R_{DS(on)-OSLN} + R_g)}{(V_{VCC2} - V_{VEE2})^2 \cdot C_{Gate} \cdot R_{DS(on)-OSLN}}$$

**Figure 3 Formula to calculate the maximum switching frequency in application**

### 3 General product characteristics

Where the maximum switching losses are  $P_{SW} = P_{DIS2} - P_{IDLE\_sec}$ ,  $R_g$  is the external gate resistor,  $C_{Gate}$  is the maximum gate charge of the power switch, and  $R_{DS(on)-OSLN}$  is the internal gate resistor.

**Note:** This formula is only valid if ON/OFF resistors have the same value.

#### 3.3.1 Thermal characteristics parameters

**Table 4 Thermal characteristics parameters**

$T_J = -40^\circ\text{C}$  to  $150^\circ\text{C}$ ; all voltages with respect to ground, pos. current flowing into pin (unless otherwise specified).

| Parameter                                      | Symbol         | Values |      |      | Unit | Note or condition   | P-Number |
|--|----------------|--------|------|------|------|---|----------|
|  |                | Min.   | Typ. | Max. |      |   |          |
| Power Dissipation - Primary Chip               | $P_{DIS1}$     | –      | 40   | –    | mW   | $T_{AMB} = 25^\circ\text{C}$ , $V_{VCC1} = 5\text{ V}$ , PWM duty cycle = 50%, Normal_Mode, no $C_{LOAD}$ , no $R_{LOAD}$ on TOUT, average value (peak current neglected)                             | PRQ-946  |
| Power Dissipation - Secondary Chip             | $P_{DIS2}$     | –      | 300  | –    | mW   | $T_{AMB} = 25^\circ\text{C}$ , $V_{VCC2} = \text{typ.}$ , $V_{VEE2} = \text{typ.}$ , PWM duty cycle = 50%, Normal_Mode, no $C_{LOAD}$ , no $R_{LOAD}$ on TOUT, average value (peak current neglected) | PRQ-947  |
| Switching frequency                            | $f_{SW}$       | –      | 25   | 430  | kHz  | $V_{VCC2} = 18\text{ V}$ , $V_{VEE2} = -5\text{ V}$ , $C_{Gate} = 9\text{ nF}$ , $R_g = 6\ \Omega$ , $T_{AMB} = 25^\circ\text{C}$   | PRQ-839  |
| Thermal Resistance Junction to Ambient (25°C)  | $R_{THJA}$     | –      | 85   | –    | K/W  | $T_{amb} = 25^\circ\text{C}$  | PRQ-932  |
| Thermal Resistance Junction to Ambient (125°C) | $R_{THJA,125}$ | –      | 71   | –    | K/W  | $T_{AMB} = 125^\circ\text{C}$   | PRQ-975  |
| Thermal Resistance Junction to Case (bottom)   | $R_{THJCBOT}$  | –      | 60   | –    | K/W  | $T_{amb} = 25^\circ\text{C}$  | PRQ-933  |
| Thermal Resistance Junction to Case (top)      | $R_{THJCTOP}$  | –      | 52   | –    | K/W  | $T_{amb} = 25^\circ\text{C}$  | PRQ-934  |
| Thermal Resistance Junction to Board (25°C)    | $R_{THJBOARD}$ | –      | 45.4 | –    | K/W  | $T_{amb} = 25^\circ\text{C}$ , power losses on secondary side $\leq 500\text{ mW}$ , power losses on primary side $\leq 50\text{ mW}$   | PRQ-1031 |

(table continues...)

**3 General product characteristics**

**Table 4 (continued) Thermal characteristics parameters**

$T_J = -40^\circ\text{C}$  to  $150^\circ\text{C}$ ; all voltages with respect to ground, pos. current flowing into pin (unless otherwise specified).

| Parameter   | Symbol      | Values |      |      | Unit | Note or condition            | P-Number |
|---|-------------|--------|------|------|------|------------------------------|----------|
|   |             | Min.   | Typ. | Max. |      |                              |          |
| $\Psi$ - Pseudo Thermal Resistance Junction to Case (top) | $R_{PSIJT}$ | -      | 21   | -    | K/W  | $T_{amb} = 25^\circ\text{C}$ | PRQ-935  |

**Note:** This thermal data was generated in accordance with JEDEC JESD51 standards. For more information, go to [www.jedec.org](http://www.jedec.org).

**3.4 Insulation characteristics**

**Table 5 Insulation characteristics for reinforced insulation in compliance with DIN EN IEC 60747-17 (VDE 0884-17):2021-10**

| Description   | Symbol     | Characteristic                | Unit       |
|---|------------|-------------------------------|------------|
| Installation classification per IEC 60664-1, Table F.1<br>for rated mains voltage $\leq 150 V_{RMS}$<br>for rated mains voltage $\leq 300 V_{RMS}$<br>for rated mains voltage $\leq 600 V_{RMS}$<br>for rated mains voltage $\leq 1000 V_{RMS}$ |            | I-IV<br>I-IV<br>I-III<br>I-II | -          |
| Climatic classification   | -          | 40/125/21                     | -          |
| Pollution degree (IEC 60664-1)  | -          | 2                             | -          |
| Minimum external clearance  | CLR        | > 8                           | mm         |
| Minimum external creepage   | CPG        | > 8                           | mm         |
| Minimum comparative tracking index  | CTI        | > 400                         | -          |
| Maximum rated repetitive peak isolation voltage   | $V_{IORM}$ | 1767                          | $V_{peak}$ |
| Maximum rated transient isolation voltage   | $V_{IOTM}$ | 8000                          | $V_{peak}$ |
| Maximum impulse voltage, tested in air  | $V_{IMP}$  | 8000                          | $V_{peak}$ |
| Maximum surge isolation voltage for reinforced insulation, tested in oil Test voltage in subgroup #1 = 11 kV $\geq 1.3 \times V_{IMP}$ , min. 10 kV   | $V_{IOSM}$ | 11000                         | $V_{peak}$ |
| Input to output test voltage, method b1) $V_{ini,b} = 1.2 \times V_{IOTM}$ , $V_{pd(m)} \geq V_{IORM} \times 1.875$ , 100% production test, $t_{ini,b} = t_m = 1$ s   | $q_{PD}$   | < 5                           | pC         |
| Input to output test voltage, method a) $V_{ini,a} = V_{IOTM}$ , $V_{pd(m)} \geq V_{IORM} \times 1.6$ , sample test, $t_{ini} = 60$ s, $t_m = 60$ s   | $q_{PD}$   | < 5                           | pC         |

**(table continues...)**

**3 General product characteristics**

**Table 5 (continued) Insulation characteristics for reinforced insulation in compliance with DIN EN IEC 60747-17 (VDE 0884-17):2021-10**

| Description  | Symbol          | Characteristic | Unit     |
|--|-----------------|----------------|----------|
| Isolation resistance at $25\text{ °C} \leq T_{\text{amb}} \leq 125\text{ °C}$ , $V_{\text{io}} = 500\text{ V}$ | $R_{\text{IO}}$ | $> 10^{12}$    | $\Omega$ |
| Isolation resistance at $T_{\text{S}} = 150\text{ °C}$ , $V_{\text{io}} = 500\text{ V}$                        | $R_{\text{IO}}$ | $> 10^9$       | $\Omega$ |

**Table 6 Insulation characteristics recognized according to UL 1577**

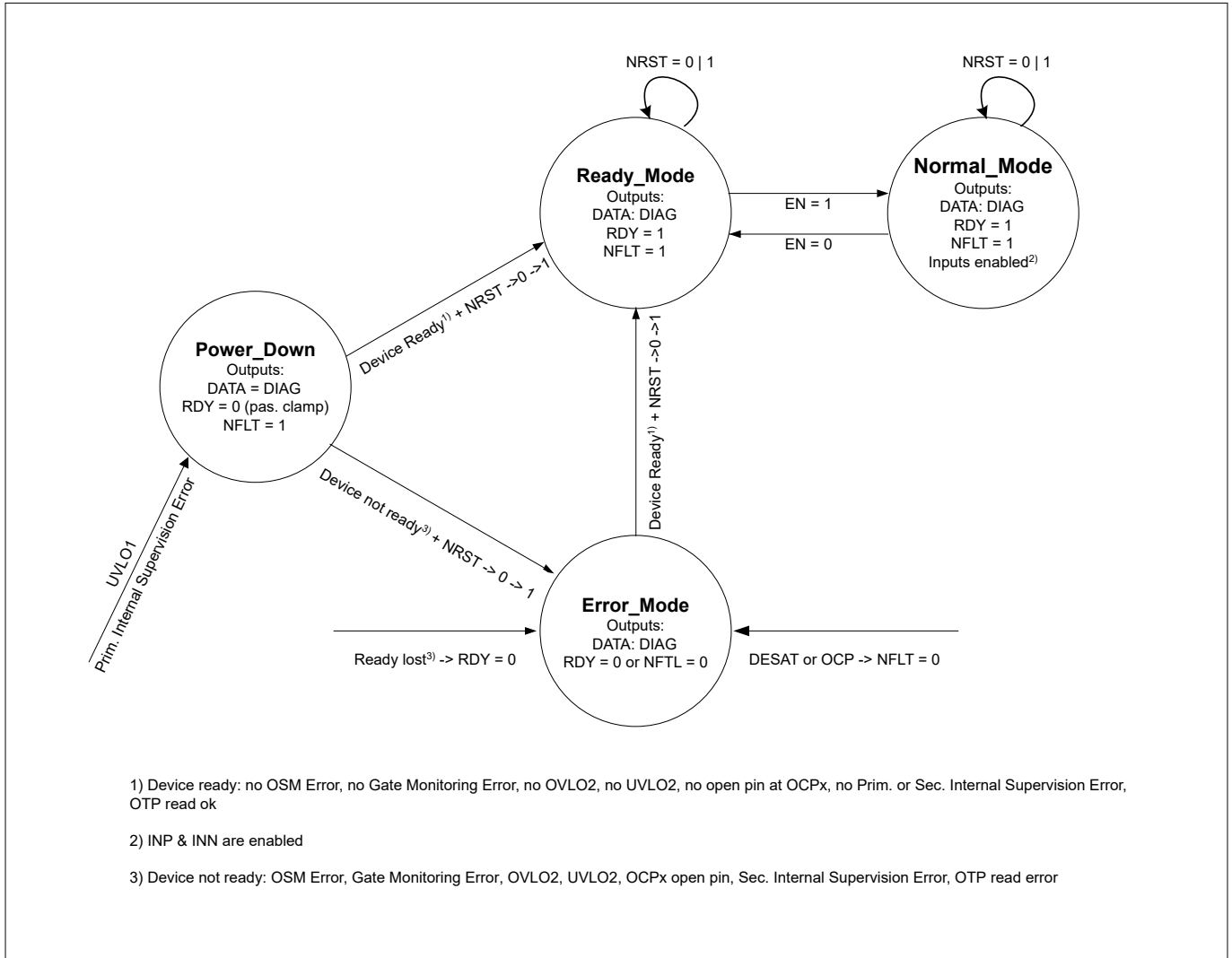
| Parameter                            | Symbol           | Characteristic | Unit    |
|--------------------------------------|------------------|----------------|---------|
| Insulation withstand voltage / 1 min | $V_{\text{ISO}}$ | 5700           | V (rms) |
| Insulation test voltage / 1 s        | $V_{\text{ISO}}$ | 6000           | V (rms) |

**Note:** *The insulation characteristics only apply when the device is operated within the safety limits given by the absolute maximum ratings.*

**4 Operating modes**

**4 Operating modes**

**4.1 Operating modes diagram**



**Figure 4 Operating modes state diagram**

- Note:**
- Life sign lost will be detected only if communication has been established once.
  - External pull-up required on RDY and NFLT (open drain output)

**4.2 Operating modes description**

**Reset**

If the NRST signal is low the device keeps its operating mode (no influence on PWM). Further the rising edge on NRST signal will reset the failure/fault event memory.

**Power Down and Start up**

The device is in Power\_Down\_Mode at start-up or if an UVLO1 error occurs. In both cases it will not operate. If the device is partly supplied (e.g. VCC1 only) the device will enter Error\_Mode. Therefore supplies should rise within the specified slew rates to a valid voltage level according to given operating conditions. Afterwards a rising edge on NRST will bring the device into Ready\_Mode (no Failure or Fault Event occurred).

## 4 Operating modes

### Mode Transitions

Once in Ready\_Mode the change to Normal\_Mode can be done with setting EN signal to "high level" (voltage level differs with VCC1 level), changing it to "low level" is also the returning into Ready\_Mode. The transition into Error\_Mode can only be done with the according events which are:

- OCP event
- DESAT event
- UVLO2 event
- OVLO2 event
- Sec. Internal Supervision Error
- Output Stage Monitor Error
- Gate Monitoring Error
- OCPx pin open
- OTP read error

### Error\_Mode

In Error\_Mode diagnosis information is available on the DATA pin. This diagnosis information states details about the failure root cause.

A rising edge on NRST and no failure or fault active will transition the device back to Ready\_Mode (or to Normal\_Mode if signal EN is set). In Ready\_Mode diagnosis information is available on the DATA pin, in Normal\_Mode the DATA pin output is zero. See also the operating modes diagram for further information.

## 4.3 Single failure events in Normal\_Mode

**Table 7 Single failure events in Normal\_Mode**

| Failure Event                    | Output stage reaction                 | Resulting pin status changes |
|----------------------------------|---------------------------------------|------------------------------|
| DESAT when TOUT = high (VCC2)    | Safe turn-off                         | NFLT = 0; DATA: DIAG         |
| OCP when TOUT = high (VCC2)      | Safe turn-off                         | NFLT = 0; DATA: DIAG         |
| Gate monitoring error            | Safe turn-off when TOUT = high (VCC2) | RDY = 0; DATA: DIAG          |
| OSM error                        | Tri-state                             | RDY = 0; DATA: DIAG          |
| UVLO2                            | Normal switch-off                     | RDY = 0; DATA: DIAG          |
| OVLO2                            | Normal switch-off                     | RDY = 0; DATA: DIAG          |
| UVLO1                            | Normal switch-off                     | RDY = 0; DATA = 0            |
| Prim. internal supervision error | Normal switch-off                     | RDY = 0; DATA = 0            |
| Sec. internal supervision error  | Normal switch-off                     | RDY = 0; DATA: DIAG          |
| OCPx pin open                    | Normal switch-off                     | RDY = 0; DATA: DIAG          |

**5 Power supply**

**5 Power supply**

**5.1 Bipolar and unipolar supplies**

The device is designed to support two different supply configurations, bipolar supply and unipolar supply.

**Note:** *In bipolar supply the driver is typically supplied with a positive voltage of 15 V at VCC2 and a negative voltage of -5 V at VEE2 (referenced to GND2). The negative supply prevents a dynamic turn on due to the additional charge which is generated from the input capacitance current of the power switch times the negative supply voltage. GATE/CLAMP has to be connected to the gate of the power switch in all power supply configurations.*

**5.2 Electrical characteristics power supply**

**Table 8 Electrical characteristics power supply**

$T_J = -40^\circ\text{C}$  to  $150^\circ\text{C}$ ; all voltages with respect to ground, pos. current flowing into pin (unless otherwise specified).

| Parameter                                   | Symbol            | Values |      |      | Unit | Note or condition   | P-Number |
|---|-------------------|--------|------|------|------|---|----------|
|   |                   | Min.   | Typ. | Max. |      |   |          |
| Quiescent Current Input Chip (VCC1)         | $I_{QVCC1}$       | 3      | 5    | -    | mA   | Ready_Mode, all primary I/Os without impact on Ready_Mode open, $V_{VCC1} = 5\text{ V}$ , $V_{VCC2} = 15\text{ V}$ , $V_{VEE2} = -5\text{ V}$   | PRQ-937  |
| Operating Current VCC1 (TOUT = high (VCC2)) | $I_{OPVCC1\_ON}$  | -      | 10   | 12.7 | mA   | Normal_Mode, INN = 0, INP = 1, EN = 1, NRST = 1, outputs open, $V_{VCC1} = 5\text{ V}$ , $V_{VCC2} = 15\text{ V}$ , $V_{VEE2} = -5\text{ V}$  | PRQ-938  |
| Operating Current VCC1 (TOUT = low (VEE2))  | $I_{OPVCC1\_OFF}$ | -      | 5.5  | 7    | mA   | Normal_Mode, INN = 0, INP = 0, EN = 1, NRST = 1, outputs open, $V_{VCC1} = 5\text{ V}$ , $V_{VCC2} = 15\text{ V}$ , $V_{VEE2} = -5\text{ V}$  | PRQ-939  |
| Operating Current VCC2 (TOUT = high (VCC2)) | $I_{OPVCC2\_ON}$  | -      | 10.5 | 12.5 | mA   | Normal_Mode, INN = 0, INP = 1, EN = 1, NRST = 1, primary outputs open, OCPx = 0, DESAT = 0, Gate shorted to TOUT, $V_{VCC1} = 5\text{ V}$ , $V_{VCC2} = 15\text{ V}$ , $V_{VEE2} = -5\text{ V}$ , other pins open | PRQ-941  |
| Operating Current VCC2 (TOUT = low (VEE2))  | $I_{OPVCC2\_OFF}$ | 6      | 10.5 | 12   | mA   | Normal_Mode, INN = 0, INP = 0, EN = 1, NRST = 1, primary outputs open, OCPx = 0, DESAT = 0, Gate shorted to TOUT, $V_{VCC1} = 5\text{ V}$ , $V_{VCC2} = 15\text{ V}$ , $V_{VEE2} = -5\text{ V}$ , other pins open | PRQ-942  |
| Operating Current VEE2 (TOUT = high (VCC2)) | $I_{OPVEE2\_ON}$  | -      | 1.5  | 2    | mA   | Normal_Mode, INN = 0, INP = 1, EN = 1, NRST = 1, primary outputs open, OCPx = 0, DESAT = 0, Gate shorted to TOUT, $V_{VCC1} = 5\text{ V}$ , $V_{VCC2} = 15\text{ V}$ , $V_{VEE2} = -5\text{ V}$ , other pins open | PRQ-944  |

(table continues...)



**5 Power supply**

**Table 8 (continued) Electrical characteristics power supply**

$T_J = -40^\circ\text{C}$  to  $150^\circ\text{C}$ ; all voltages with respect to ground, pos. current flowing into pin (unless otherwise specified).

| Parameter                                  | Symbol            | Values |      |      | Unit | Note or condition   | P-Number |
|--|-------------------|--------|------|------|------|---|----------|
|  |                   | Min.   | Typ. | Max. |      |   |          |
| Operating Current VEE2 (TOUT = low (VEE2)) | $I_{OPVEE2\_OFF}$ | 0.5    | 1.5  | 2    | mA   | Normal_Mode, INN = 0, INP = 0, EN = 1, NRST = 1, primary outputs open, OCPx = 0, DESAT = 0, Gate shorted to TOUT, $V_{VCC1} = 5\text{ V}$ , $V_{VCC2} = 15\text{ V}$ , $V_{VEE2} = -5\text{ V}$ , other pins open | PRQ-945  |

**6 Switching characteristics**

**6 Switching characteristics**

**6.1 Functional description switching**

The voltage on pin TOUT ranges from  $V_{VEE2}$  to  $V_{VCC2}$  (referenced to GND2).

The device supports short propagation delay for On and Off switching of  $t_{PDON}$  and  $t_{PDOFF}$ .

**6.2 Electrical characteristics switching**

**Table 9 Electrical characteristics switching**

$T_J = -40^\circ\text{C}$  to  $150^\circ\text{C}$ ; all voltages with respect to ground, pos. current flowing into pin (unless otherwise specified).

| Parameter                                     | Symbol                | Values |      |      | Unit | Note or condition   | P-Number |
|---|-----------------------|--------|------|------|------|---|----------|
|   |                       | Min.   | Typ. | Max. |      |   |          |
| High level output peak current                | $I_{OUTH}$            |        |      | - 12 | A    | INP = $V_{VCC1}$ , INN = $V_{GND1}$ , EN = $V_{VCC1}$ , TOUT = $V_{VCC2}$ , CLAMP/GATE = $V_{VEE2}$ , $V_{VCC2} = 15\text{ V}$ , $V_{VEE2} = -5\text{ V}$ , $C_{LOAD} = 200\text{ nF}$  | PRQ-662  |
| Low level output peak current                 | $I_{OUTL}$            | 12     |      |      | A    | INP = $V_{GND1}$ , INN = $V_{GND1}$ , EN = $V_{VCC1}$ , TOUT = $V_{VEE2}$ , CLAMP/GATE = $V_{VCC2}$ , $V_{VCC2} = 15\text{ V}$ , $V_{VEE2} = -5\text{ V}$ , $C_{LOAD} = 200\text{ nF}$  | PRQ-663  |
| Propagation delay - On                        | $t_{PDON}$            | 40     | 60   | 120  | ns   | $V_{CC1} = \text{typ.}$ , $V_{CC2} = \text{typ.}$ , $V_{EE2} = \text{typ.}$ , Start: INP rising edge at $V_{\text{digital,input(high)}}$ , Stop: TOUT rising edge at $V_{VEE2} + 1.5\text{ V}$ , no load, no gate resistance  | PRQ-770  |
| Propagation delay - Off                       | $t_{PDOFF}$           | 40     | 60   | 120  | ns   | $V_{CC1} = \text{typ.}$ , $V_{CC2} = \text{typ.}$ , $V_{EE2} = \text{typ.}$ , Start: INP falling edge at $V_{\text{digital,input(low)}}$ , Stop: TOUT falling edge at $V_{VCC2} - 1.5\text{ V}$ , no load, no gate resistance | PRQ-851  |
| Propagation delay distortion                  | $t_{\text{Prop,dis}}$ | -20    | -    | 20   | ns   | $t_{PDON} - t_{PDOFF}$ , $t_{PDON}$ & $t_{PDOFF}$ measured @ same $T_{JUNC}$  | PRQ-803  |
| Propagation delay EN to turn-on (INP = high)  | $t_{PDENON}$          | 10     | 60   | 120  | ns   | $V_{VCC1} = \text{typ.}$ ; $V_{VCC2} = \text{typ.}$ , $V_{VEE2} = \text{typ.}$ , INP = high, INN = GND1, TOUT = $V_{VEE2} + 1.5\text{ V}$ , referring to VEE2 (rising edge)   | PRQ-968  |
| Propagation delay EN to turn-off (INP = high) | $t_{PDENOFF}$         | 10     | 60   | 120  | ns   | $V_{VCC1} = \text{typ.}$ , $V_{VCC2} = \text{typ.}$ , $V_{VEE2} = \text{typ.}$ , INP = high, INN = GND1, TOUT = $V_{VCC2} - 1.5\text{ V}$ referring to VEE2 (falling edge)  | PRQ-967  |
| TOUT rise time 90 %                           | $t_{\text{Rise1}}$    | -      | -    | 55   | ns   | no $C_{LOAD}$ , no $R_{LOAD}$ , $V_{VCC2} = \text{typ.}$ , $V_{VEE2} = \text{typ.}$ , $V_{TOUT} = V_{VEE2} + 1.5\text{ V}$ to $V_{TOUT} = V_{VCC2} - 1.5\text{ V}$  | PRQ-801  |
| TOUT rise time 70 %                           | $t_{\text{Rise2}}$    | -      | -    | 35   | ns   | no $C_{LOAD}$ , no $R_{LOAD}$ , $V_{VCC2} = \text{typ.}$ , $V_{VEE2} = \text{typ.}$ , $V_{TOUT} = V_{VEE2} + 1.5\text{ V}$ to $V_{TOUT} = V_{VCC2} - 6\text{ V}$  | PRQ-958  |

(table continues...)

**6 Switching characteristics**

**Table 9 (continued) Electrical characteristics switching**

$T_J = -40^\circ\text{C}$  to  $150^\circ\text{C}$ ; all voltages with respect to ground, pos. current flowing into pin (unless otherwise specified).

| Parameter                | Symbol                   | Values |      |      | Unit     | Note or condition  | P-Number |
|--------------------------|--------------------------|--------|------|------|----------|--|----------|
|                          |                          | Min.   | Typ. | Max. |          |  |          |
| Fall time                | $t_{\text{Fall}}$        | –      | –    | 45   | ns       | No $C_{\text{LOAD}}$ , no $R_{\text{LOAD}}$ , $V_{\text{VCC2}} = \text{typ.}$ , $V_{\text{VEE2}} = \text{typ.}$ , $V_{\text{TOUT}} = V_{\text{VCC2}} - 1.5 \text{ V}$ to $V_{\text{TOUT}} = V_{\text{VEE2}} + 1.5 \text{ V}$ | PRQ-802  |
| TOUT RDSON High-side     | $R_{\text{DSON-OSHN}}$   |        | 0.30 |      | $\Omega$ | N-MOS, tolerances according to $R_{\text{DSON-OSLN}}$  | PRQ-1032 |
| TOUT RDSON High-side P&N | $R_{\text{DSON-OSHtot}}$ | 0.3    | –    | 1    | $\Omega$ | N-MOS and P-MOS, voltage drop $V_{\text{VCC2}} - V_{\text{TOUT}} < 1 \text{ V}$  | PRQ-849  |
| TOUT RDSON Low-side      | $R_{\text{DSON-OSLN}}$   | 0.07   | –    | 0.35 | $\Omega$ | N-MOS, voltage drop $V_{\text{TOUT}} - V_{\text{VEE2}} < 1 \text{ V}$  | PRQ-850  |

**Note:** *The defined minimum/maximum value of  $I_{\text{OUTx}}$  is the minimum current which the device delivers under the given conditions. In general the device is capable to deliver higher output currents than the defined minimum/maximum. The maximum output current needs to be limited by an external gate resistor to stay inside the defined absolute maximum rating parameters regarding maximum peak current (equivalent energy needs to be considered) and maximum junction temperature.*

7 Protection and monitoring functions

7 Protection and monitoring functions

7.1 DESAT protection

7.1.1 Functional description DESAT protection

The device monitors the voltage across the power switch when TOUT = high(VCC2), after the DESAT blanking time is elapsed. If the corresponding reference level ( $V_{DESATX}$ ) is reached, it issues a safe turn-off within  $t_{DESAT2OFF}$ , then changes into Error\_Mode and signals a NFLT low in  $t_{NFLT\_DESAT}$ .

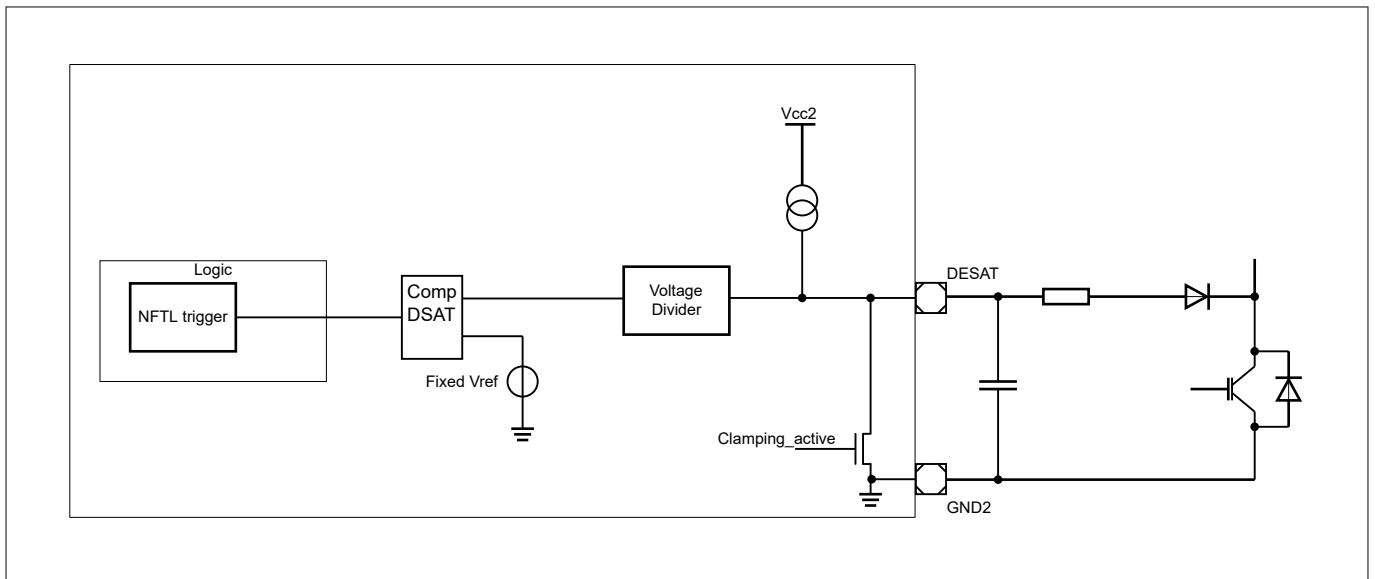


Figure 5 DESAT diagram of principal functionality

The DESAT pin has an internal clamping which clamps DESAT to  $V_{DESATL}$  in case TOUT = low (VEE2), TOUT =  $V_{SOFFPLT}$  or in case of OSM (tristate).

7 Protection and monitoring functions

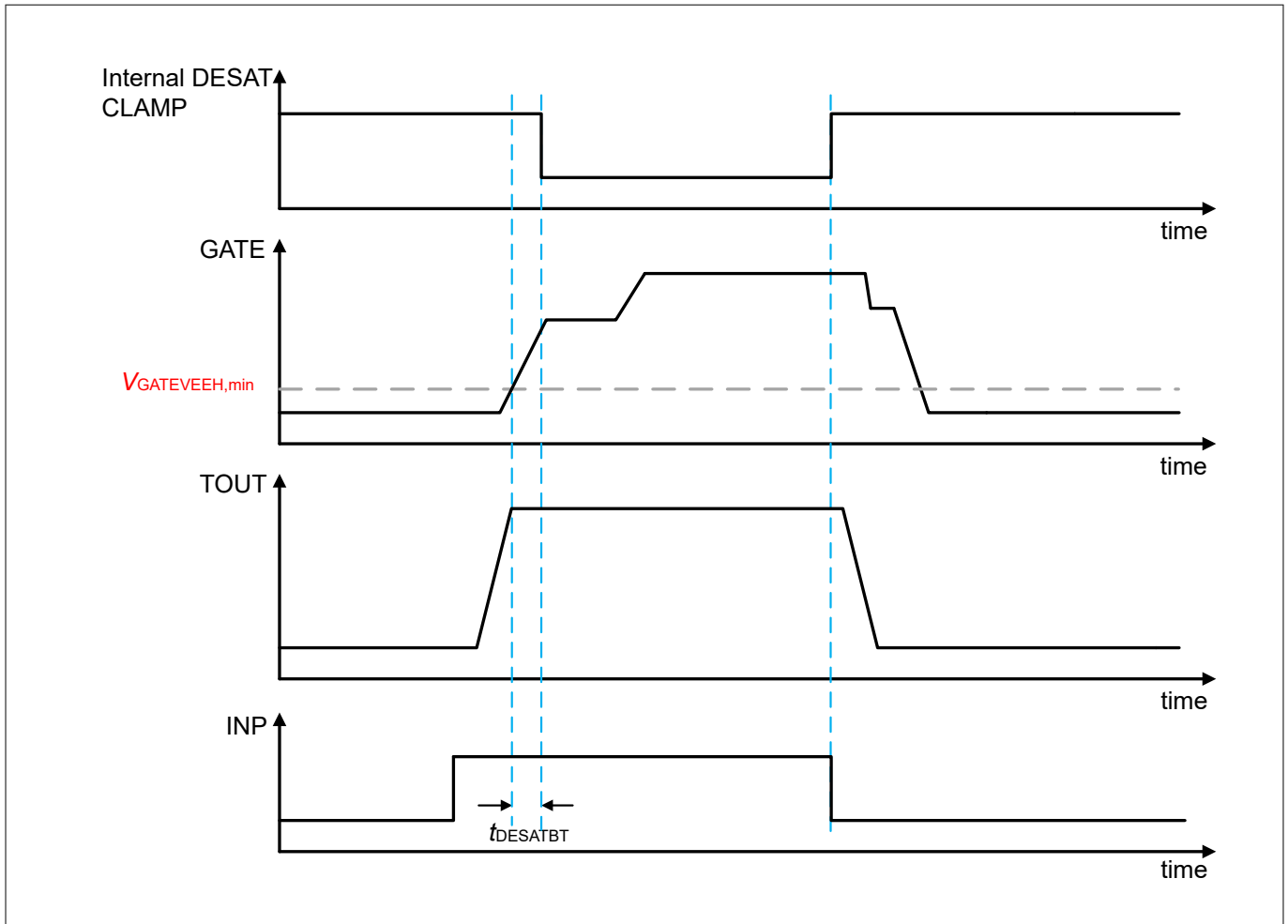


Figure 6 DESAT clamping and blanking timing diagram

7.1.2 Electrical characteristics DESAT protection

Table 10 Electrical characteristics DESAT protection

$T_J = -40^{\circ}\text{C}$  to  $150^{\circ}\text{C}$ ; all voltages with respect to ground, pos. current flowing into pin (unless otherwise specified).

| Parameter             | Symbol        | Values |      |      | Unit          | Note or condition   | P-Number |
|-----------------------|---------------|--------|------|------|---------------|---|----------|
|                       |               | Min.   | Typ. | Max. |               |   |          |
| DESAT reference level | $V_{DESAT0}$  | 8.6    | 9    | 9.3  | V             | $V_{CC2} = \text{typ.}, V_{EE2} = \text{typ.}$                              | PRQ-734  |
| DESAT current source  | $I_{DESATCS}$ | -550   | -500 | -450 | $\mu\text{A}$ | $V_{CC2} = \text{typ.}, V_{EE2} = \text{typ.}, V_{DESAT} \leq 10\text{ V}$  | PRQ-800  |
| DESAT low voltage     | $V_{DESATL}$  | 0      | 200  | 300  | mV            | Referenced to GND2, DESAT clamping enabled, $I_{\text{sink}} = 5\text{ mA}$ | PRQ-693  |

(table continues...)

**7 Protection and monitoring functions**

**Table 10 (continued) Electrical characteristics DESAT protection**

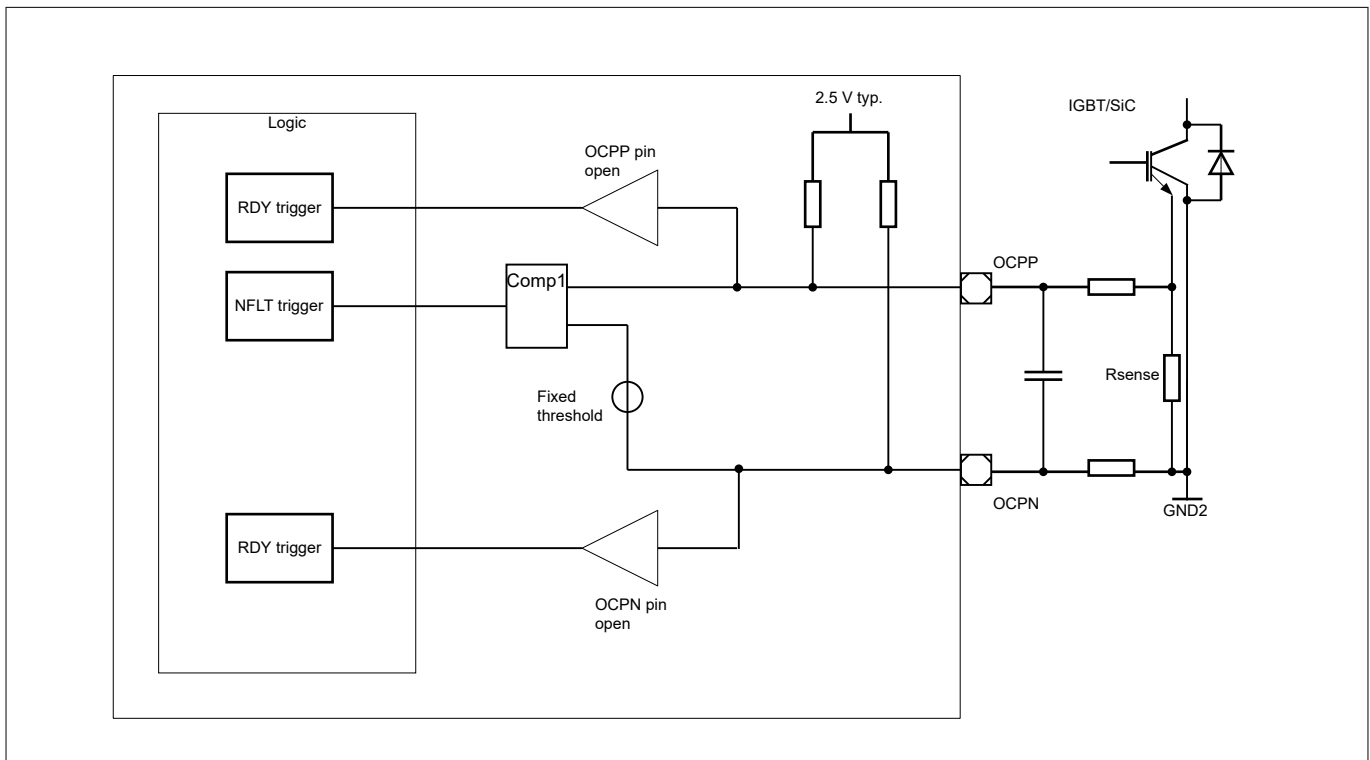
$T_J = -40^{\circ}\text{C}$  to  $150^{\circ}\text{C}$ ; all voltages with respect to ground, pos. current flowing into pin (unless otherwise specified).

| Parameter                       | Symbol                 | Values |      |                   | Unit | Note or condition  | P-Number |
|---------------------------------|------------------------|--------|------|-------------------|------|--|----------|
|                                 |                        | Min.   | Typ. | Max.              |      |  |          |
| DESAT detection & reaction time | $t_{\text{DESAT2OFF}}$ | 100    | 300  | 400               | ns   | $V_{\text{DESAT\_Overdrive}} = 2\text{ V}$ , Slew rate @ DESAT = $10\text{ V}/\mu\text{s}$ ; TOUT = $V_{\text{VCC2}} - 1.5\text{ V}$ , after DESAT blanking time elapsed, $C_{\text{LOAD\_TOUT}} = \text{no load}$ , no resistive load | PRQ-841  |
| DESAT blanking time             | $t_{\text{DESATBT}}$   | 120    | 320  | 400               | ns   | From $V_{\text{GATEVEEH}}$ to release of clamping (Desat pin voltage rising above $0.5\text{ V}$ , with internal current source, no external $C_{\text{DESAT}}$ ), no $C_{\text{Load}}/R_{\text{Load}}$ on TOUT                        | PRQ-969  |
| DESAT input voltage range       | $V_{\text{DESAT}}$     | 0      | –    | $V_{\text{VCC2}}$ | V    | Referenced to GND2   | PRQ-690  |

**7.2 Over Current Protection (OCP)**

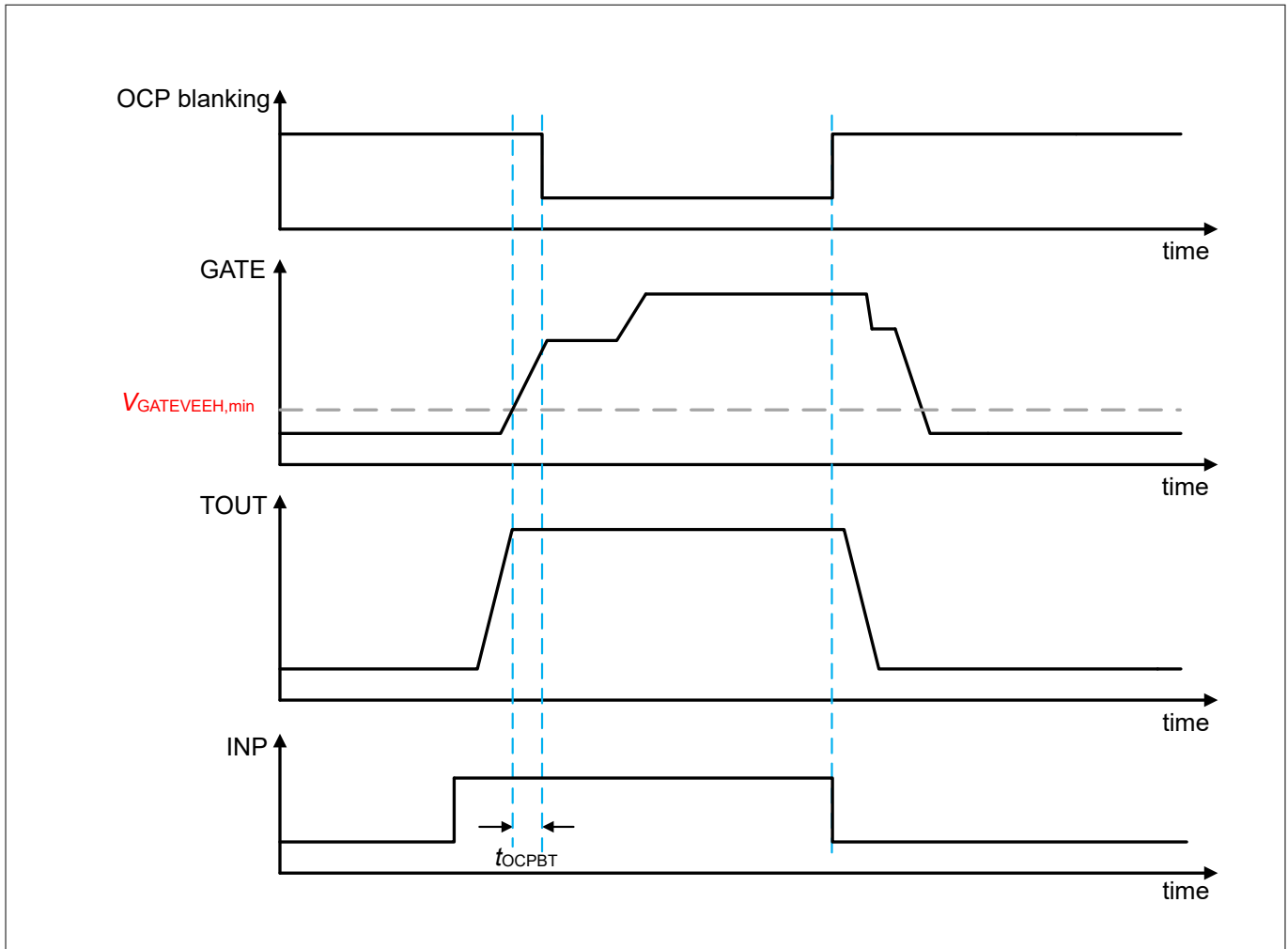
**7.2.1 Functional description OCP protection**

The device monitors the voltage difference between OCPP and OCPN when TOUT = high (VCC2) after the OCP blanking time is elapsed. If the corresponding reference level ( $V_{\text{OCPDx}}$ ) is reached, it issues a safe turn-off within  $t_{\text{OCP2OFF}}$ , then changes into Error\_Mode and signals a NFLT low in  $t_{\text{NFLT\_OCP}}$ .



**Figure 7 OCP diagram of principal functionality**

**7 Protection and monitoring functions**



**Figure 8** OCP blanking time

**7.2.2 Electrical characteristics OCP protection**

**Table 11** Electrical characteristics OCP

$T_J = -40^{\circ}\text{C}$  to  $150^{\circ}\text{C}$ ; all voltages with respect to ground, pos. current flowing into pin (unless otherwise specified).

| Parameter                             | Symbol              | Values |      |      | Unit       | Note or condition                    | P-Number |
|---------------------------------------|---------------------|--------|------|------|------------|--------------------------------------|----------|
|                                       |                     | Min.   | Typ. | Max. |            |                                      |          |
| Overcurrent error detection threshold | $V_{\text{OCPD1}}$  | 270    | 300  | 330  | mV         | $V_{\text{OCPD1}} - V_{\text{OCPN}}$ | PRQ-695  |
| OCPD & OCPN pull-up resistance        | $R_{\text{PUOCP2}}$ | 26     | 38   | 50   | k $\Omega$ |                                      | PRQ-697  |
| OCPD & OCPN voltage                   | $V_{\text{OCP}}$    | -1     | -    | 1    | V          | referring to GND2                    | PRQ-793  |

(table continues...)

**7 Protection and monitoring functions**

**Table 11 (continued) Electrical characteristics OCP**

$T_J = -40^\circ\text{C}$  to  $150^\circ\text{C}$ ; all voltages with respect to ground, pos. current flowing into pin (unless otherwise specified).

| Parameter                      | Symbol               | Values |      |      | Unit | Note or condition  | P-Number |
|--------------------------------|----------------------|--------|------|------|------|--|----------|
|                                |                      | Min.   | Typ. | Max. |      |  |          |
| OCP detection & reaction time  | $t_{\text{OCP2OFF}}$ | 100    | 300  | 400  | ns   | $V_{\text{OCP\_Overdrive}} = 200 \text{ mV}$ , slew rate = 100 mV/ns, TOUT = $V_{\text{VCC2}} - 1.5 \text{ V}$ , after OCP blanking time elapsed, $C_{\text{LOAD\_TOUT}} = \text{no load}$ , no resistive load | PRQ-842  |
| OCP blanking time              | $t_{\text{OCPBT}}$   | 120    | 320  | 400  | ns   | From $V_{\text{GATEVEEH}}$ to release of blanking. $V_{\text{OCP\_Overdrive}} = 200 \text{ mV}$ , slew rate = 100 mV/ns, no $C_{\text{Load}}/R_{\text{Load}}$ on TOUT  | PRQ-1014 |
| OCP pin open detection voltage | $V_{\text{OCPOPEN}}$ | 2.2    | 2.45 | 2.6  | V    |  | PRQ-1030 |

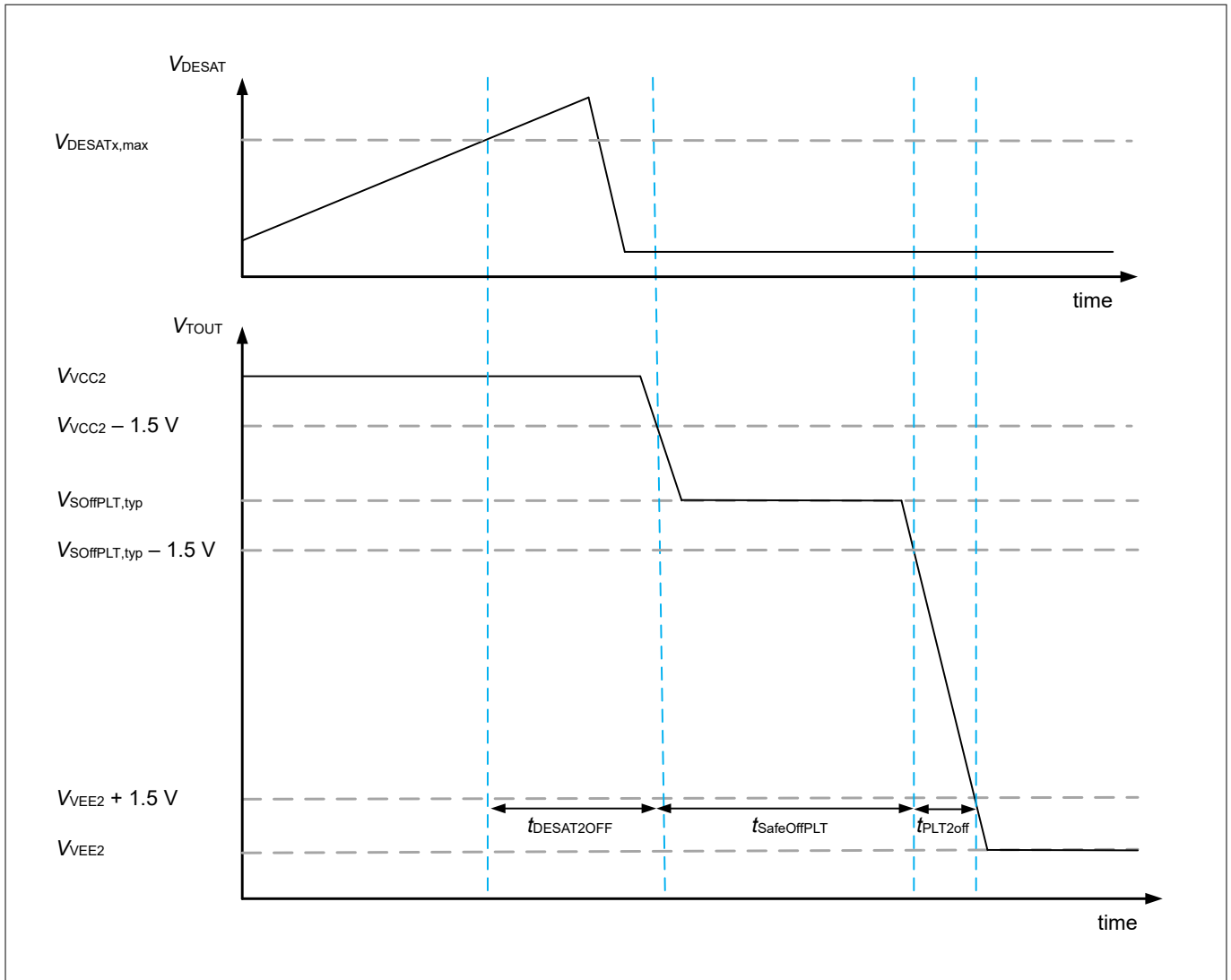
**7.3 Safe turn-off**

**7.3.1 Functional description safe turn-off**

The device enables a two-level turn-off in case of a fault.



**7 Protection and monitoring functions**



**Figure 9 Two level turn-off principle for safe turn-off**

- Note:**
- Safe turn-off is only enabled at DESAT, OCP and gate monitoring error (if TOUT = high (VCC2) events).
  - DESAT is only used as an example, can be replaced by OCP and gate monitoring.

**7.3.2 Electrical characteristics safe turn-off**

**Table 12 Electrical characteristics safe turn-off**

| Parameter                  | Symbol           | Values |      |      | Unit    | Note or condition             | P-Number |
|----------------------------|------------------|--------|------|------|---------|-------------------------------|----------|
|                            |                  | Min.   | Typ. | Max. |         |                               |          |
| Safe turn-off plateau time | $t_{SafeOffPLT}$ | 1      | -    | 1.5  | $\mu s$ |                               | PRQ-918  |
| Plateau to turn-off time   | $t_{PLT2off}$    | 10     | -    | 50   | ns      | No $R_{Load}$ , no $C_{Load}$ | PRQ-973  |

(table continues...)

**7 Protection and monitoring functions**

**Table 12 (continued) Electrical characteristics safe turn-off**

| Parameter                           | Symbol        | Values |      |      | Unit | Note or condition   | P-Number |
|-------------------------------------|---------------|--------|------|------|------|---|----------|
|                                     |               | Min.   | Typ. | Max. |      |   |          |
| Safe turn-off plateau voltage level | $V_{SOFFPLT}$ | 8.46   | 9    | 9.54 | V    | $V_{VCC2} \geq V_{SOFFPLT,max} + 2\text{ V}$ , $C_{LOAD\_TOUT} = 68\text{ nF}$ , $R_{LOAD\_TOUT} = 1.7\ \Omega$ | PRQ-919  |

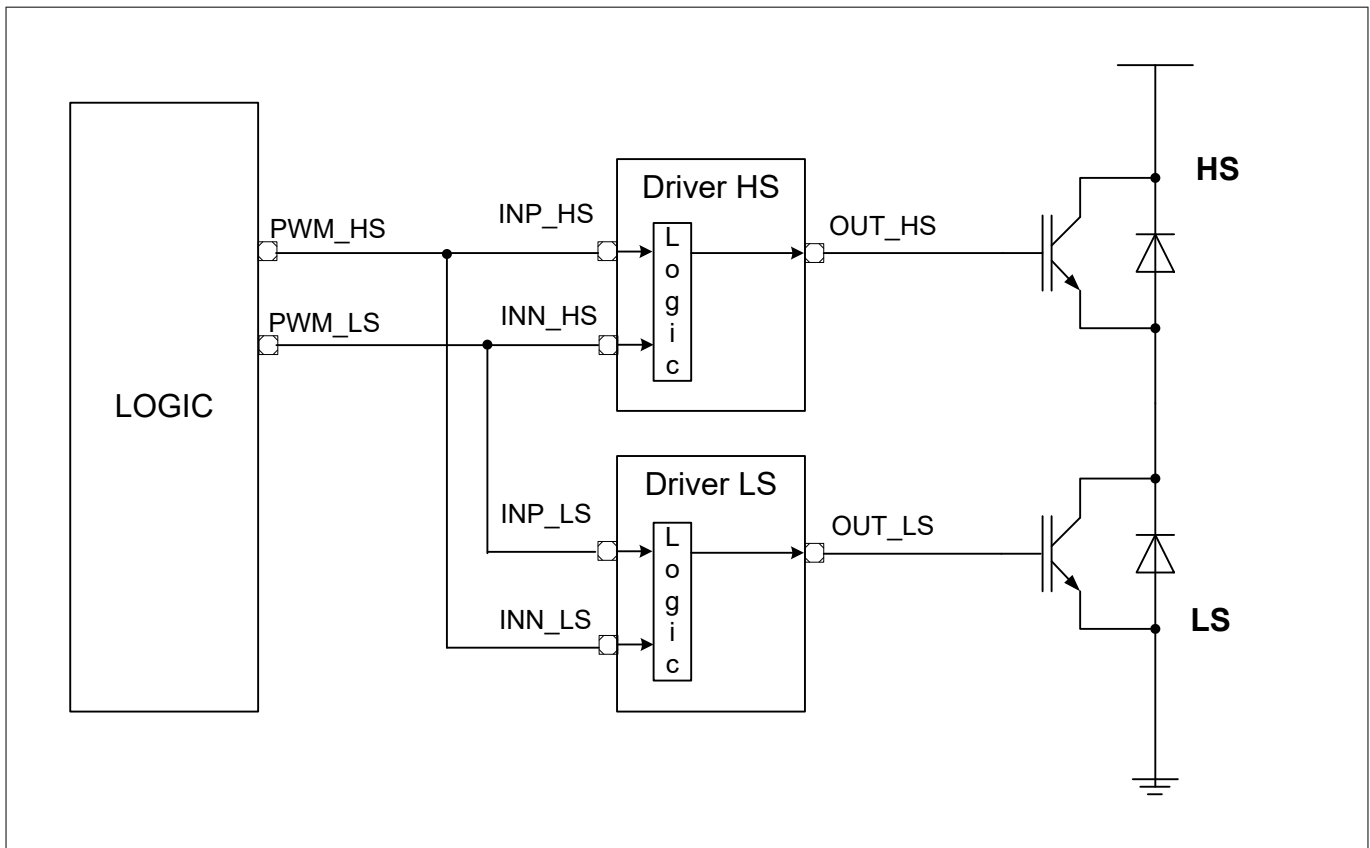
**7.4 Shoot Through Protection (STP)**

**7.4.1 Functional description STP**

The device has a Shoot Through Protection (STP) function to prevent both high-side and low-side switches to be activated simultaneously.

**Note:** STP is always active. However, setting the INN pin to GND1 deactivates the function.

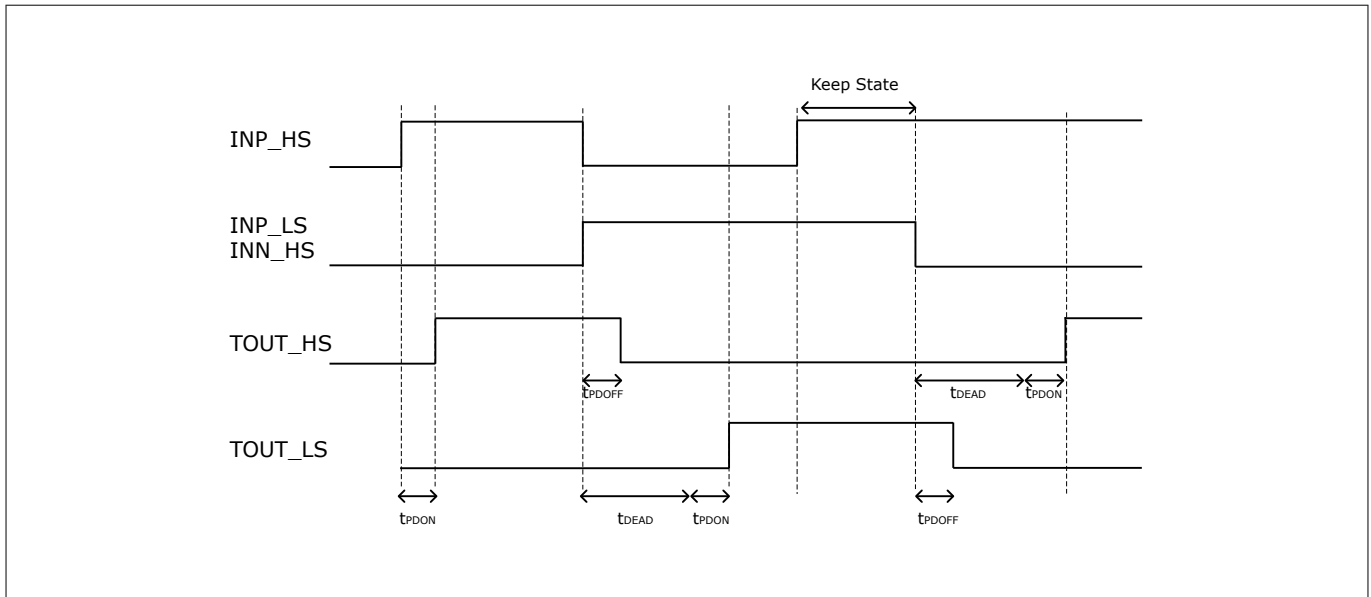
If one of the drivers is in ON state, the driver’s counterpart PWM input is inhibited, preventing it to turn on.



**Figure 10 Shoot through protection application diagram**

The device follows the shoot through protection timing diagram shown below:

**7 Protection and monitoring functions**



**Figure 11** Shoot through protection timing diagram

**7.4.2 Electrical characteristics STP**

**Table 13** Electrical characteristics STP

$T_J = -40^{\circ}\text{C}$  to  $150^{\circ}\text{C}$ ; all voltages with respect to ground, pos. current flowing into pin (unless otherwise specified).

| Parameter                              | Symbol      | Values |      |      | Unit | Note or condition | P-Number |
|--|-------------|--------|------|------|------|-------------------|----------|
|  |             | Min.   | Typ. | Max. |      |                   |          |
| Dead time for shoot through protection | $t_{DEAD3}$ | 650    | 800  | 950  | ns   |                   | PRQ-729  |

**7.5 Power supply monitoring**

**7.5.1 Functional description power supply monitoring**

The device is equipped with an undervoltage lockout for the primary supply (VCC1) and secondary supply (VCC2) in order to ensure correct switching of the power switch.

**Note:** In all under voltage conditions the ASC signal still works until the voltage drops below VASCOFF at VCC2.

The device turns off the power switch and ignores signals at INP and INN (goes into Power\_Down Mode) if the power supply VCC1 drops below  $V_{UVL01L}$ . It returns to Ready\_Mode if the voltage at VCC1 is above  $V_{UVL01H}$  and the device received a rising edge at NRST.

The device turns off the power switch within  $t_{UVL022OFF}$  and ignores signals at INP and INN (go into Error\_Mode) within  $t_{PS2RDY}$  if the power supply VCC2 drops below  $V_{UVL02L_x}$ . It returns to Ready\_Mode if the voltage at VCC2 is above  $V_{UVL02H_x}$  and the device received a rising edge at NRST.

The device is equipped with an overvoltage lockout for the secondary supply VCC2 in order to prevent damage of the power switch.

**7 Protection and monitoring functions**

**Note:** The ASC signal will overwrite the turn-off command, which may lead to damage of the power switch (power switch).

The device turns off the power switch within  $t_{OVLO22OFF}$  and ignores signals at INP and INN (go into Error\_Mode) within  $t_{PS2RDY}$  if the power supply  $V_{VCC2}$  rises above  $V_{OVLO2H\_x}$ . It returns to Ready\_Mode if the voltage  $V_{VCC2}$  is below  $V_{OVLO2L\_x}$  and the device received a rising edge at NRST.

- Note:**
- In Error\_Mode, RDY changes to 0.
  - Turn-off means normal switch-off and not a safe turn-off.
  - Exception: ASC function  $\rightarrow$  TOUT = high (VCC2).

**7.5.2 Electrical characteristics power supply monitoring**

**Table 14 Electrical characteristics power supply monitoring**

$T_J = -40^\circ\text{C}$  to  $150^\circ\text{C}$ ; all voltages with respect to ground, pos. current flowing into pin (unless otherwise specified).

| Parameter                       | Symbol          | Values |      |      | Unit | Note or condition                                | P-Number |
|---------------------------------|-----------------|--------|------|------|------|--|----------|
|                                 |                 | Min.   | Typ. | Max. |      |  |          |
| UVLO1 threshold low             | $V_{UVLO1L}$    | 2.6    | 2.75 | –    | V    | @ VCC1, referenced to GND1                       | PRQ-741  |
| UVLO1 threshold high            | $V_{UVLO1H}$    | –      | 2.85 | 2.95 | V    | @ VCC1, referenced to GND1                       | PRQ-740  |
| UVLO1 hysteresis                | $V_{UVLO1HYS}$  | –      | 80   | 100  | mV   |  | PRQ-742  |
| OVLO2 threshold high            | $V_{OVLO2H\_3}$ | 17.8   | 18.5 | 19.0 | V    | @ VCC2, referenced to GND2                       | PRQ-889  |
| OVLO2 threshold low             | $V_{OVLO2L\_3}$ | 17.1   | 17.7 | 18.2 | V    | @ VCC2, referenced to GND2                       | PRQ-890  |
| OVLO2 hysteresis                | $V_{OVLO2HYS}$  | 400    | 800  | –    | mV   | $V_{OVLO2H\_x} - V_{OVLO2L\_x}$                  | PRQ-896  |
| UVLO2 threshold high            | $V_{UVLO2H\_1}$ | 12.2   | 12.6 | 13   | V    | @ VCC2, referenced to GND2                       | PRQ-750  |
| UVLO2 threshold low             | $V_{UVLO2L\_1}$ | 11.4   | 11.8 | 12.2 | V    | @ VCC2, referenced to GND2                       | PRQ-752  |
| UVLO2 hysteresis                | $V_{UVLO2HYS}$  | 720    | 800  | 880  | mV   |  | PRQ-755  |
| UVLO1 detection & reaction time | $t_{UVLO12OFF}$ | –      | 500  | 800  | ns   | Slewrates = 2 V/ $\mu$ s, Overdrive = +/- 300 mV | PRQ-914  |

(table continues...)

**7 Protection and monitoring functions**

**Table 14 (continued) Electrical characteristics power supply monitoring**

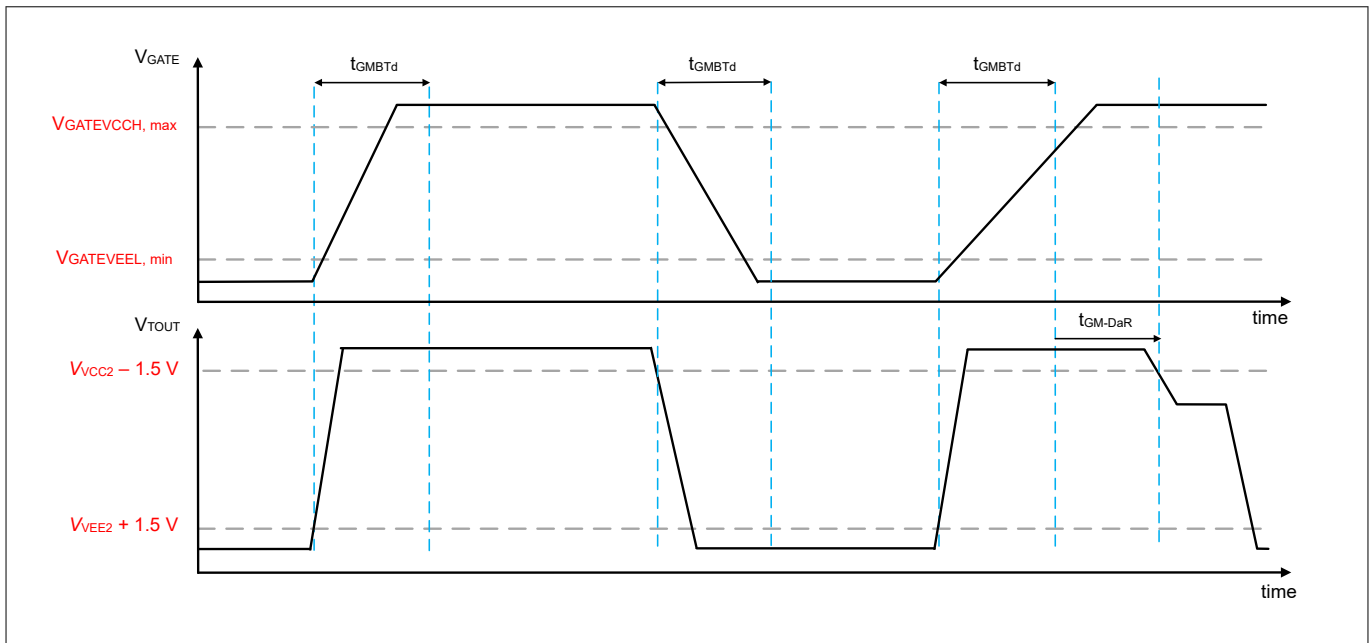
$T_J = -40^\circ\text{C}$  to  $150^\circ\text{C}$ ; all voltages with respect to ground, pos. current flowing into pin (unless otherwise specified).

| Parameter   | Symbol          | Values |      |      | Unit    | Note or condition                            | P-Number |
|---|-----------------|--------|------|------|---------|--|----------|
|   |                 | Min.   | Typ. | Max. |         |  |          |
| UVLO2 detection & reaction time                         | $t_{UVLO22OFF}$ | -      | 500  | 800  | ns      | Slewwrate=10 V/ $\mu$ s; Overdrive=+/-200 mV | PRQ-915  |
| OVLO2 detection & reaction time                         | $t_{OVLO22OFF}$ | -      | 500  | 800  | ns      | Slewwrate=10 V/ $\mu$ s; Overdrive=+/-200 mV | PRQ-916  |
| Power supply monitoring detection and notification time | $t_{PS2RDY}$    | -      | -    | 2.5  | $\mu$ s | VCC2 = typ., VEE2 = typ.                     | PRQ-976  |

**7.6 Gate monitoring**

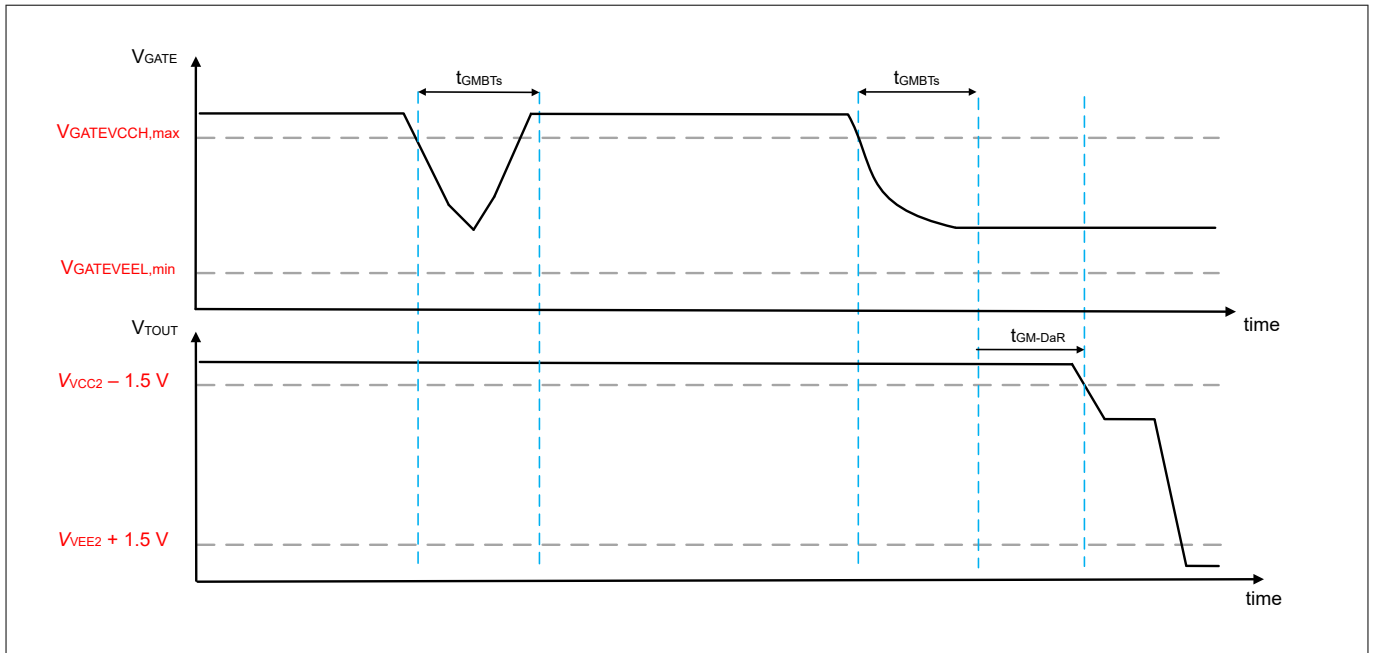
**7.6.1 Functional description gate monitoring**

The device monitors in the time frame of  $t_{GMBT}$  (dynamic or static) the gate signal  $V_{GATE}$  at pin CLAMP/GATE to ensure the signal  $V_{TOUT}$  reaches the threshold value of  $V_{GATE}$  properly. If monitoring conditions are violated, the device issues a safe turn-off (if TOUT = high (VCC2) in less than  $t_{GM-DaR}$  and changes to Error\_Mode in less than  $t_{RDY\_GM}$ .



**Figure 12 Dynamic gate monitoring timing diagram**

**7 Protection and monitoring functions**



**Figure 13** Static gate monitoring timing diagram

**7.6.2 Electrical characteristics gate monitoring**

**Table 15** Electrical characteristics gate monitoring

$T_J = -40^{\circ}C$  to  $150^{\circ}C$ ; all voltages with respect to ground, pos. current flowing into pin (unless otherwise specified).

| Parameter                                       | Symbol        | Values |      |      | Unit    | Note or condition                              | P-Number |
|---|---------------|--------|------|------|---------|--|----------|
|   |               | Min.   | Typ. | Max. |         |  |          |
| Gate monitoring detection and reaction time     | $t_{GM-DaR}$  | 450    | 650  | 900  | ns      | $V_{CC2} = \text{typ.}, V_{EE2} = \text{typ.}$ | PRQ-853  |
| Gate monitoring detection and notification time | $t_{RDY\_GM}$ | -      | 1.5  | 2.5  | $\mu s$ | $V_{CC2} = \text{typ.}, V_{EE2} = \text{typ.}$ | PRQ-910  |
| Dynamic gate monitoring blanking time           | $t_{GMBTd3}$  | 6.99   | 7.6  | 8.21 | $\mu s$ | $V_{EE2} = \text{typ.}, V_{CC2} = \text{typ.}$ | PRQ-979  |
| Static gate monitoring blanking time            | $t_{GMBTs3}$  | 7.40   | 7.9  | 8.40 | $\mu s$ | $V_{EE2} = \text{typ.}, V_{CC2} = \text{typ.}$ | PRQ-983  |

(table continues...)

**7 Protection and monitoring functions**

**Table 15 (continued) Electrical characteristics gate monitoring**

$T_J = -40^\circ\text{C}$  to  $150^\circ\text{C}$ ; all voltages with respect to ground, pos. current flowing into pin (unless otherwise specified).

| Parameter   | Symbol                | Values                  |                         |                         | Unit | Note or condition           | P-Number |
|---|-----------------------|-------------------------|-------------------------|-------------------------|------|-----------------------------|----------|
|   |                       | Min.                    | Typ.                    | Max.                    |      |                             |          |
| Gate monitoring VCC2 voltage threshold high level | $V_{\text{GATEVCCH}}$ | $V_{\text{VCC2}} - 2.3$ | $V_{\text{VCC2}} - 2.1$ | $V_{\text{VCC2}} - 1.9$ | V    | $t_{\text{GMBT}}$ is active | PRQ-855  |
| Gate monitoring VCC2 voltage threshold low level  | $V_{\text{GATEVCCL}}$ | $V_{\text{VCC2}} - 3.2$ | $V_{\text{VCC2}} - 3$   | $V_{\text{VCC2}} - 2.8$ | V    | $t_{\text{GMBT}}$ is active | PRQ-962  |
| Gate monitoring VEE2 voltage threshold high level | $V_{\text{GATEVEEH}}$ | $V_{\text{VEE2}} + 2.8$ | $V_{\text{VEE2}} + 3$   | $V_{\text{VEE2}} + 3.2$ | V    | $t_{\text{GMBT}}$ is active | PRQ-963  |
| Gate monitoring VEE2 voltage threshold low level  | $V_{\text{GATEVEEL}}$ | $V_{\text{VEE2}} + 1.9$ | $V_{\text{VEE2}} + 2.1$ | $V_{\text{VEE2}} + 2.3$ | V    | $t_{\text{GMBT}}$ is active | PRQ-856  |

**7.7 Output stage monitoring**

**7.7.1 Functional description output stage monitoring**

The output stage monitoring checks whether the internal output signal is according to the given PWM or ASC input signal in the time frame of  $t_{\text{OUTMBTX}}$ , otherwise the device issues a tri-state for the output stage in less than  $t_{\text{OUTM-DaR}}$  and changes to Error\_Mode in less than  $t_{\text{RDY_OSM}}$ .

7 Protection and monitoring functions

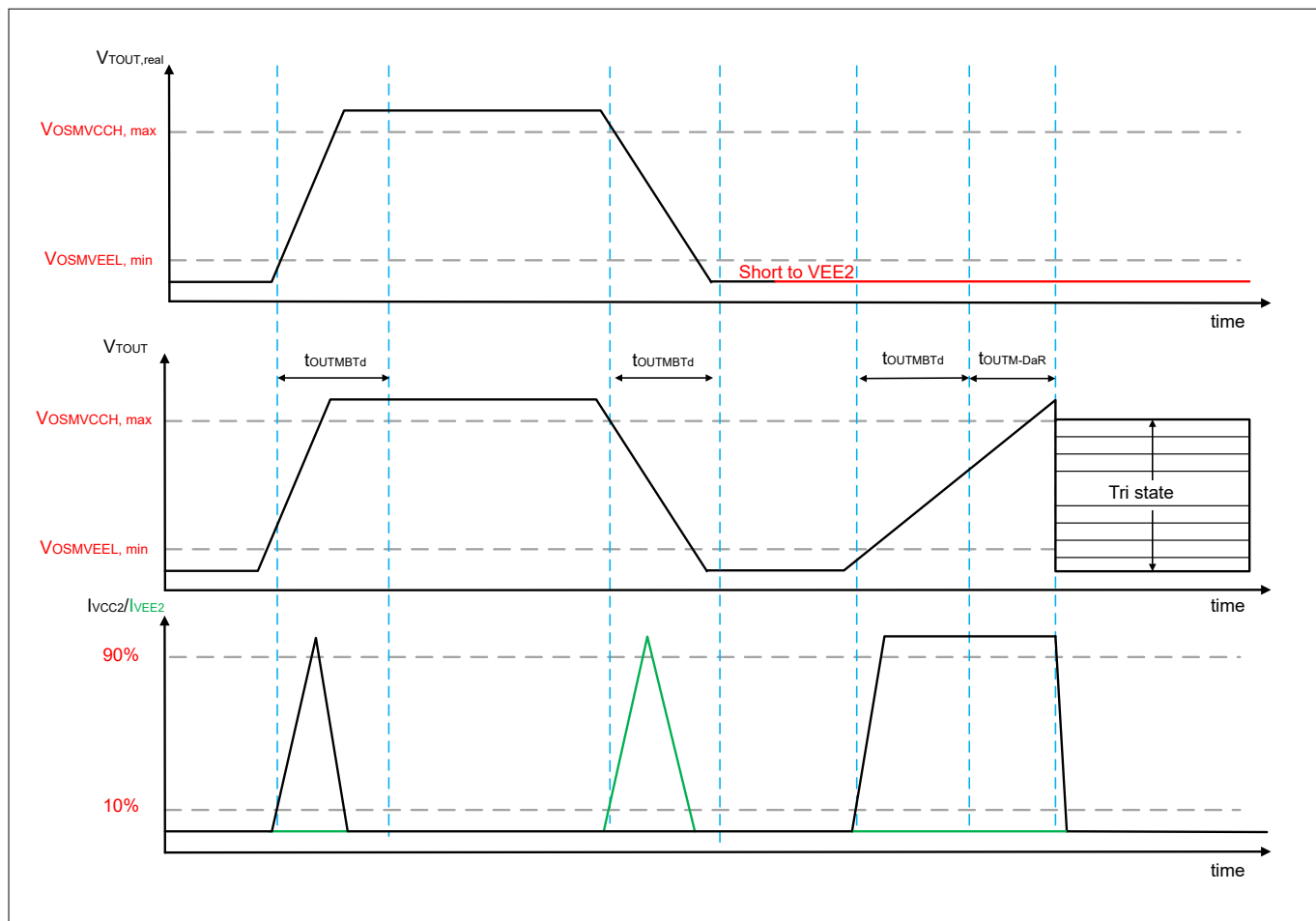


Figure 14 Dynamic output stage monitoring working principle



7 Protection and monitoring functions

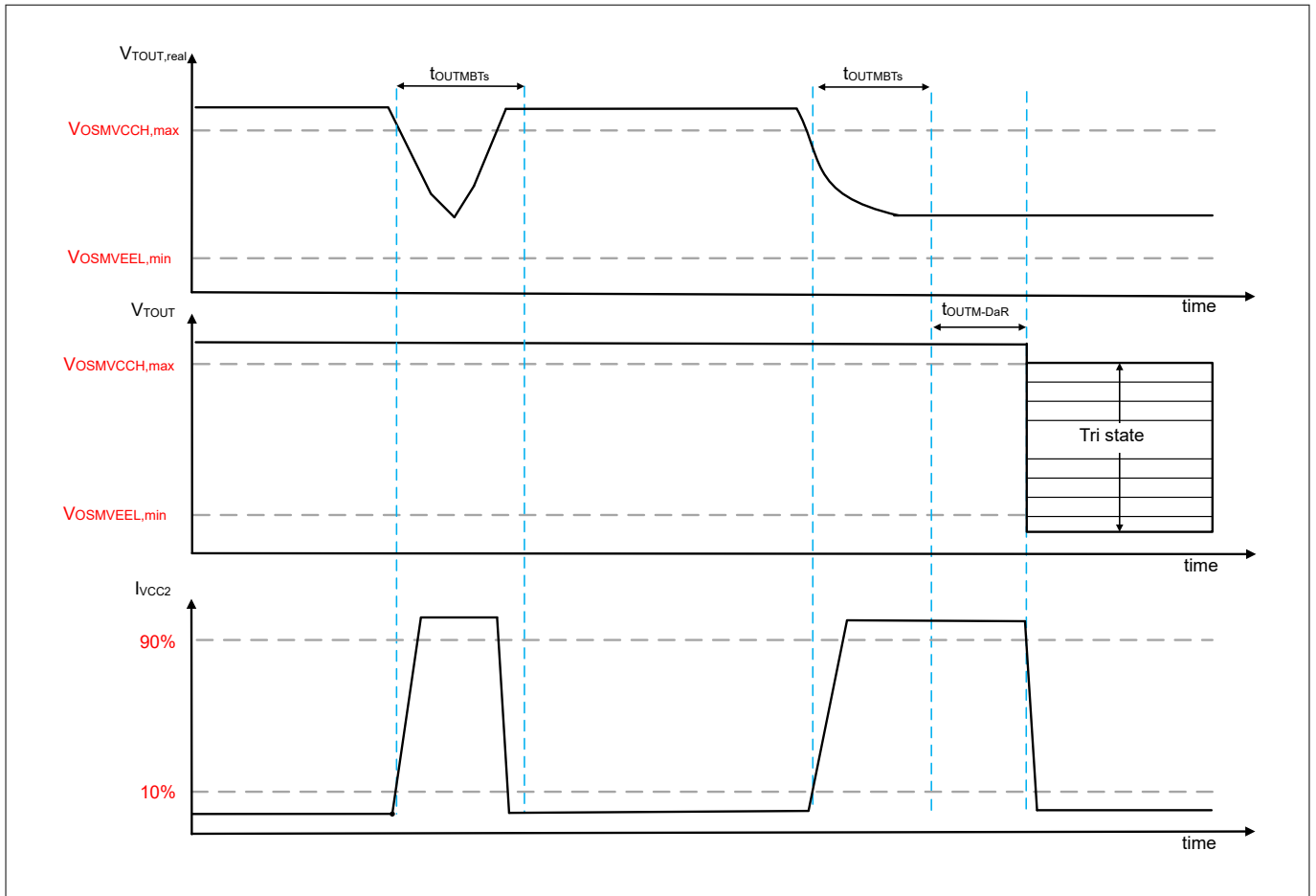


Figure 15 Static output stage monitoring working principle

**Note:** The passive clamping at TOUT is working.

7.7.2 Electrical characteristics output stage monitoring

Table 16 Electrical characteristics output stage monitoring

$T_J = -40^{\circ}\text{C}$  to  $150^{\circ}\text{C}$ ; all voltages with respect to ground, pos. current flowing into pin (unless otherwise specified).

| Parameter   | Symbol                | Values |      |      | Unit | Note or condition        | P-Number |
|---|-----------------------|--------|------|------|------|--------------------------|----------|
|   |                       | Min.   | Typ. | Max. |      |                          |          |
| Output stage monitoring detection and reaction time | $t_{\text{OUTM-DaR}}$ | 200    | 350  | 500  | ns   | VCC2 = typ., VEE2 = typ. | PRQ-859  |

(table continues...)

**7 Protection and monitoring functions**

**Table 16 (continued) Electrical characteristics output stage monitoring**

$T_J = -40^\circ\text{C}$  to  $150^\circ\text{C}$ ; all voltages with respect to ground, pos. current flowing into pin (unless otherwise specified).

| Parameter   | Symbol         | Values           |                  |                  | Unit          | Note or condition        | P-Number |
|---|----------------|------------------|------------------|------------------|---------------|--------------------------|----------|
|   |                | Min.             | Typ.             | Max.             |               |                          |          |
| Output stage monitoring detection and notification time   | $t_{RDY\_OSM}$ | –                | 1.5              | 2.5              | $\mu\text{s}$ | VCC2 = typ., VEE2 = typ. | PRQ-964  |
| Dynamic output stage monitoring blanking time             | $t_{OUTMBTd3}$ | 600              | 800              | 1000             | ns            | VEE2 = typ., VCC2 = typ. | PRQ-922  |
| Static output stage monitoring blanking time              | $t_{OUTMBTs3}$ | 1000             | –                | 1200             | ns            | VEE2 = typ., VCC2 = typ. | PRQ-925  |
| Output stage monitoring VCC2 voltage threshold high level | $V_{OSMVCCH}$  | $V_{VCC2} - 2.3$ | $V_{VCC2} - 2.1$ | $V_{VCC2} - 1.9$ | V             | $t_{OUTBT}$ is active    | PRQ-863  |
| Output stage monitoring VCC2 voltage threshold low level  | $V_{OSMVCCL}$  | $V_{VCC2} - 3.2$ | $V_{VCC2} - 3$   | $V_{VCC2} - 2.8$ | V             | $t_{OUTBT}$ is active    | PRQ-965  |
| Output stage monitoring VEE2 voltage threshold high level | $V_{OSMVEEH}$  | $V_{VEE2} + 2.8$ | $V_{VEE2} + 3$   | $V_{VEE2} + 3.2$ | V             | $t_{OUTBT}$ is active    | PRQ-966  |
| Output stage monitoring VEE2 voltage threshold low level  | $V_{OSMVEEL}$  | $V_{VEE2} + 1.9$ | $V_{VEE2} + 2.1$ | $V_{VEE2} + 2.3$ | V             | $t_{OUTBT}$ is active    | PRQ-864  |

8 Clamping functions

8 Clamping functions

8.1 Active Miller clamp

8.1.1 Functional description Active Miller clamp

The clamp output is activated if the gate voltage  $V_{GATE}$  goes below  $V_{GATEVEEL}$  during turn-off.

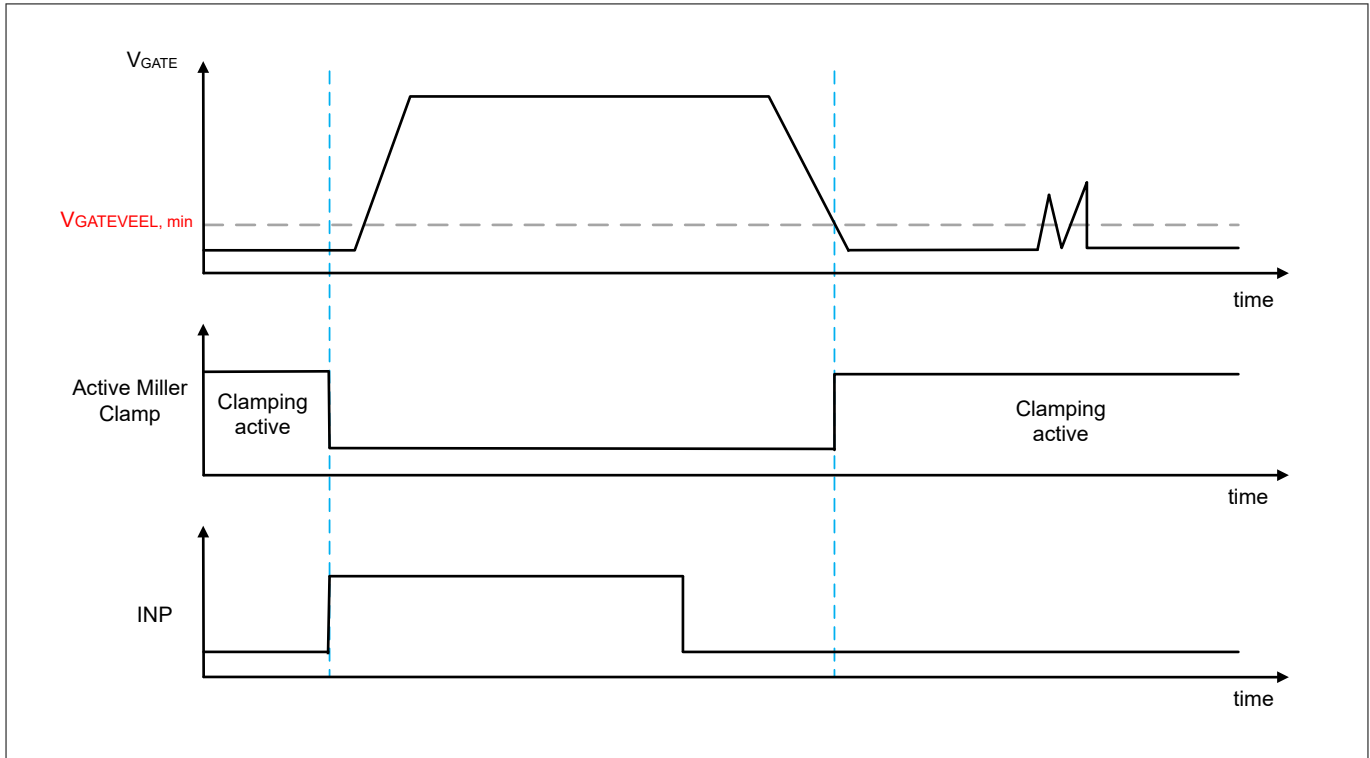


Figure 16 Active Miller clamp timing diagram

**Note:** In a half bridge configuration the switched off power switch tends to dynamically turn on during the turn on phase of the opposite power switch. A Miller clamp allows sinking the Miller current across a low impedance path in this high  $dV/dt$  situation. Therefore, in many applications the use of a negative supply voltage can be avoided.

8.1.2 Electrical characteristics Active Miller clamp

Table 17 Electrical characteristics Active Miller clamp

$T_J = -40^{\circ}C$  to  $150^{\circ}C$ ; all voltages with respect to ground, pos. current flowing into pin (unless otherwise specified).

| Parameter                    | Symbol       | Values |      |      | Unit | Note or condition   | P-Number |
|------------------------------|--------------|--------|------|------|------|---|----------|
|                              |              | Min.   | Typ. | Max. |      |   |          |
| Low level clamp peak current | $I_{CLAMPL}$ | 9.5    | 10   |      | A    | TOUT = low ( $V_{VEE2}$ ), CLAMP/GATE = $V_{CLAMP}$ , $V_{VCC2} = 15 V$ , $V_{VEE2} = -5 V$ | PRQ-667  |

(table continues...)

## 8 Clamping functions

**Table 17 (continued) Electrical characteristics Active Miller clamp**

$T_J = -40^\circ\text{C}$  to  $150^\circ\text{C}$ ; all voltages with respect to ground, pos. current flowing into pin (unless otherwise specified).

| Parameter                 | Symbol                    | Values            |      |                   | Unit     | Note or condition  | P-Number |
|---------------------------|---------------------------|-------------------|------|-------------------|----------|--|----------|
|                           |                           | Min.              | Typ. | Max.              |          |  |          |
| CLAMP/GATE voltage        | $V_{\text{CLAMP/GATE}}$   | $V_{\text{VEE2}}$ | –    | $V_{\text{VCC2}}$ | V        | Referenced to GND2, no load                                    | PRQ-586  |
| CLAMP R <sub>DS(on)</sub> | $R_{\text{DS(on)-CLAMP}}$ | 0.08              | –    | 0.35              | $\Omega$ | Voltage drop $V_{\text{VCC2}} - V_{\text{TOUT}} < 1 \text{ V}$ | PRQ-852  |

## 8.2 Passive clamping

### 8.2.1 Functional description passive clamping

If the secondary chip is not supplied, the pin GATE/CLAMP is passively clamped to VEE2.

### 8.2.2 Electrical characteristics passive clamping

**Table 18 Electrical characteristics passive clamping**

$T_J = -40^\circ\text{C}$  to  $150^\circ\text{C}$ ; all voltages with respect to ground, pos. current flowing into pin (unless otherwise specified).

| Parameter   | Symbol              | Values |      |                                   | Unit | Note or condition  | P-Number |
|---|---------------------|--------|------|-----------------------------------|------|--|----------|
|   |                     | Min.   | Typ. | Max.                              |      |  |          |
| GATE passive clamping voltage (I <sub>CLAMP</sub> = 10 mA)  | $V_{\text{PCLPG1}}$ | –      | –    | $V_{\text{VEE2}} + 2 \text{ V}$   | V    | Secondary chip not supplied (VCC2 floating, VEE2 = 0 V), $I_{\text{Clamp}} = 10 \text{ mA}$  | PRQ-738  |
| GATE passive clamping voltage (I <sub>CLAMP</sub> = 100 mA) | $V_{\text{PCLPG2}}$ | –      | –    | $V_{\text{VEE2}} + 2.2 \text{ V}$ | V    | Secondary chip not supplied (VCC2 floating, VEE2 = 0 V), $I_{\text{Clamp}} = 100 \text{ mA}$ | PRQ-882  |

**9 Active Short Circuit (ASC)**

**9 Active Short Circuit (ASC)**

**9.1 Functional description ASC**

The device implements an ASC function which is driving an "TOUT = high (VCC2)" to the power switch in all 4 modes, if requested (through pin).

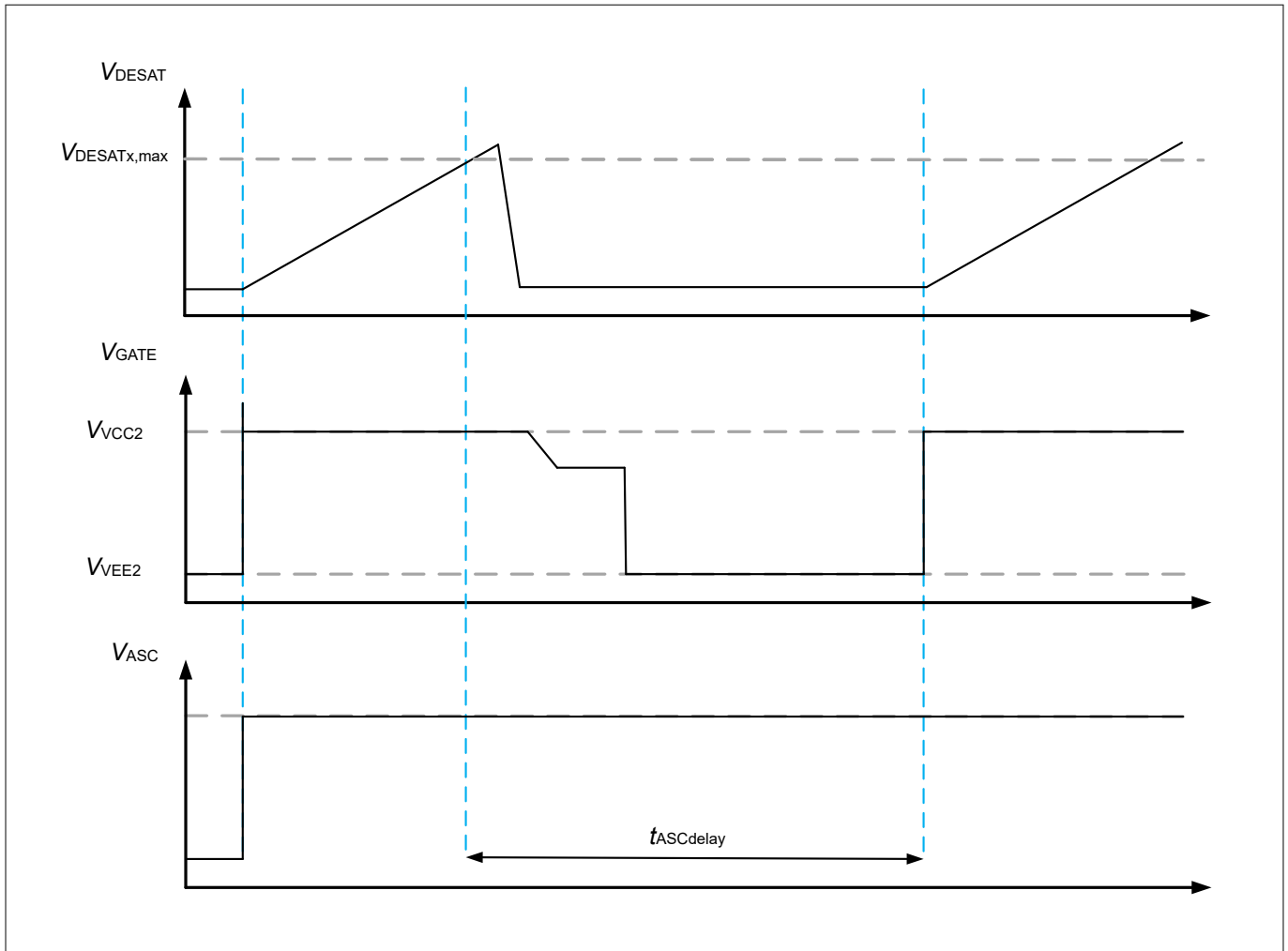
*Note: The ASC behavior for certain conditions/errors is stated in the Table ASC Status at Failure Events/Conditions.*

**Table 19 ASC Status at Failure Events/Conditions**

| <b>Condition/Error</b>   | <b>TOUT, if ASC = high</b>                |
|--|---|
| Primary chip is not ready  | TOUT = high (VCC2)                        |
| EN low (disable)   | TOUT = high (VCC2)                        |
| STP Error Event  | TOUT = high (VCC2)                        |
| UVLO1, OVLO2 Error Event   | TOUT = high (VCC2)                        |
| UVLO2 Error Event  | TOUT = high ( $V_{CC2} \geq V_{ASCOFF}$ ) |
| DESAT & OCP Error Event  | Safe turn-off                             |
| Gate Monitoring Error Event  | Safe turn-off                             |
| Output Stage Monitoring Error Event                                | Tristate                                  |
| Sec. Internal Supervision Error Event (Parity, OTP, OCPx pin open) | TOUT = high (VCC2)                        |
| Sec. Internal Supervision Error Event (PMU_Supervision Error)      | TOUT = low (VEE2)                         |

**Note:** *If a valid ASC signal is applied while a gate monitoring error occurs, the device triggers the according turn-off and will try to turn-on again until no valid ASC signal is applied. However as long as the gate monitoring error still occurs the device will turn off, resulting in an oscillating behavior.*

**9 Active Short Circuit (ASC)**



**Figure 17** ASC turn-on delay after ASC trigger with DESAT/OCP event

Note: If the ASC signal continues to be triggered according to specification, the device will retry a turn-on at  $TOUT = high(VCC2)$  until DESAT/OCP is no longer occurring.

**9.2 Electrical characteristics ASC**

**Table 20** Electrical characteristics ASC

$T_J = -40^{\circ}C$  to  $150^{\circ}C$ ; all voltages with respect to ground, pos. current flowing into pin (unless otherwise specified).

| Parameter                     | Symbol     | Values |      |            | Unit | Note or condition   | P-Number |
|-------------------------------|------------|--------|------|------------|------|---|----------|
|                               |            | Min.   | Typ. | Max.       |      |   |          |
| ASC detection & reaction time | $t_{ASC}$  | 400    | -    | 650        | ns   | Start: $V_{ASCH} = V_{VCC2} - 1.5 V$ , Stop: $V_{TOUT} = V_{VEE2} + 1.5 V$ , ASC trigger voltage slew rate = $50 V/\mu s$ , $C_{LOAD} = no\ load$ , no resistive load | PRQ-806  |
| ASC input voltage range       | $V_{ASC}$  | 0      | -    | $V_{VCC2}$ | V    | Referenced to GND2  | PRQ-584  |
| ASC pin high input voltage    | $V_{ASCH}$ | 8.6    | 9    | -          | V    | $V_{VCC2} \geq V_{ASCOFF}$ , referenced to GND2   | PRQ-762  |

(table continues...)

**9 Active Short Circuit (ASC)**

**Table 20 (continued) Electrical characteristics ASC**

$T_J = -40^\circ\text{C}$  to  $150^\circ\text{C}$ ; all voltages with respect to ground, pos. current flowing into pin (unless otherwise specified).

| Parameter                         | Symbol            | Values |      |      | Unit          | Note or condition                               | P-Number |
|-----------------------------------|-------------------|--------|------|------|---------------|---|----------|
|                                   |                   | Min.   | Typ. | Max. |               |   |          |
| ASC pin low input voltage         | $V_{ASCL}$        | –      | 0    | 6.4  | V             | $V_{VCC2} \geq V_{ASCOFF}$ , referenced to GND2 | PRQ-761  |
| ASC input current                 | $I_{ASCHcurrent}$ | 8      | 50   | 70   | $\mu\text{A}$ | $V_{ASCH} = 15\text{ V}$                        | PRQ-833  |
| ASC minimum operating voltage     | $V_{ASCOFF}$      | 9      | –    | –    | V             | Referenced to GND2, $V_{ASC} = V_{VCC2}$        | PRQ-995  |
| ASC turn-on delay after OCP/DESAT | $t_{ASCdelay}$    | 12     | 22   | 30   | $\mu\text{s}$ |   | PRQ-998  |
| Minimum ASC pulse width           | $t_{ASCmin}$      | 750    | –    | –    | ns            |   | PRQ-1039 |

**10 Interface**

**10 Interface**

**10.1 Reset (NRST)**

**10.1.1 Functional description NRST**

The NRST pin is the reset input of the device.  
 All errors cleared with a rising edge on NRST.

**10.1.2 Electrical characteristics NRST**

**Table 21 Electrical characteristics NRST**

$T_J = -40^{\circ}\text{C}$  to  $150^{\circ}\text{C}$ ; all voltages with respect to ground, pos. current flowing into pin (unless otherwise specified).

| Parameter                   | Symbol     | Values |      |      | Unit          | Note or condition | P-Number |
|-----------------------------|------------|--------|------|------|---------------|-------------------|----------|
|                             |            | Min.   | Typ. | Max. |               |                   |          |
| Minimum reset duration time | $t_{NRST}$ | 10     | –    | –    | $\mu\text{s}$ |                   | PRQ-764  |

**10.2 Ready (RDY)**

**10.2.1 Functional description RDY**

The RDY pin reports whether the device is ready.

**Note:** Ready means: no OSM error, no gate monitoring error, no OVLO2, no UVLO2, no open pin at OCPx, no prim. or sec. internal supervision error, OTP read ok.

The RDY pin has a passive clamping.

**Note:** Passive clamping keeps  $RDY = 0$  in case of no supply.

**10.2.2 Electrical characteristics RDY**

**Table 22 Electrical characteristics RDY**

$T_J = -40^{\circ}\text{C}$  to  $150^{\circ}\text{C}$ ; all voltages with respect to ground, pos. current flowing into pin (unless otherwise specified).

| Parameter                       | Symbol         | Values |      |      | Unit | Note or condition                                       | P-Number |
|---------------------------------|----------------|--------|------|------|------|---|----------|
|                                 |                | Min.   | Typ. | Max. |      |   |          |
| RDY open drain output low level | $V_{RDY(low)}$ | –      | –    | 0.5  | V    | $V_{VCC1} \geq 3.0\text{ V}$ , $I_{load} = 5\text{ mA}$ | PRQ-840  |

**(table continues...)**



## 10 Interface

**Table 22 (continued) Electrical characteristics RDY**

$T_J = -40^\circ\text{C}$  to  $150^\circ\text{C}$ ; all voltages with respect to ground, pos. current flowing into pin (unless otherwise specified).

| Parameter                                | Symbol         | Values |      |      | Unit          | Note or condition   | P-Number |
|--|----------------|--------|------|------|---------------|---|----------|
|  |                | Min.   | Typ. | Max. |               |   |          |
| RDY output low passive clamping          | $V_{RDYCLAMP}$ | –      | 0.5  | 1    | V             | $I_{RDYCLAMP} = 500 \mu\text{A}$ , $V_{CC1} = \text{floating}$ , all I/O = floating | PRQ-834  |
| Power up timing prim.                    | $t_{PUprim}$   | –      | 100  | 1500 | $\mu\text{s}$ | Time from UVLO1 release to device operable, secondary chip running                  | PRQ-959  |
| Power up timing sec.                     | $t_{PUsec}$    | –      | 100  | 1500 | $\mu\text{s}$ | Time from UVLO2 release to device operable, primary chip running                    | PRQ-960  |
| Time from rising Edge NRST to RDY = high | $t_{NRST2RDY}$ | 50     | –    | 200  | ns            | No error detected   | PRQ-961  |

## 10.3 Fault (NFLT)

### 10.3.1 Functional description NFLT

The device has an active low fault pin (NFLT) to report DESAT and OCP short circuit events.

If the device switches off the output stage due to a DESAT or OCP event, it goes to Error\_Mode and signals the event on pin NFLT with  $\text{NFLT} = 0$  within  $t_{\text{NFLT\_DESAT}}$  or  $t_{\text{NFLT\_OCP}}$ .

**Note:** Switch off means safe turn-off.

The device keeps the fault signal available unless a reset event takes place.

### 10.3.2 Electrical characteristics NFLT

**Table 23 Electrical characteristics NFLT**

$T_J = -40^\circ\text{C}$  to  $150^\circ\text{C}$ ; all voltages with respect to ground, pos. current flowing into pin (unless otherwise specified).

| Parameter                                | Symbol                   | Values |      |      | Unit          | Note or condition  | P-Number |
|--|--------------------------|--------|------|------|---------------|--|----------|
|  |                          | Min.   | Typ. | Max. |               |  |          |
| OCP event detection to NFLT activation   | $t_{\text{NFLT\_OCP}}$   | –      | 1.2  | 2.3  | $\mu\text{s}$ | $V_{\text{OCP\_Overdrive}} = \pm 200 \text{ mV}$ , slew rate = 100 mV/ns, $\text{NFLT} = 90 \%$ , $R_{\text{PU\_NFLT}} = 1 \text{ k}\Omega$              | PRQ-614  |
| DESAT event detection to NFLT activation | $t_{\text{NFLT\_DESAT}}$ | –      | 1.5  | 2.5  | $\mu\text{s}$ | $V_{\text{DESAT\_Overdrive}} = \pm 200 \text{ mV}$ , slew rate = 10 V/ $\mu\text{s}$ , $\text{NFLT} = 90 \%$ , $R_{\text{PU\_NFLT}} = 1 \text{ k}\Omega$ | PRQ-844  |

(table continues...)

## 10 Interface

**Table 23 (continued) Electrical characteristics NFLT**

$T_J = -40^\circ\text{C}$  to  $150^\circ\text{C}$ ; all voltages with respect to ground, pos. current flowing into pin (unless otherwise specified).

| Parameter                        | Symbol            | Values |      |      | Unit | Note or condition  | P-Number |
|----------------------------------|-------------------|--------|------|------|------|--|----------|
|                                  |                   | Min.   | Typ. | Max. |      |  |          |
| NFLT open drain output low level | $V_{\text{NFLT}}$ | –      | –    | 0.5  | V    | $V_{\text{VCC1}} \geq 3.0 \text{ V};  I_{\text{NFLT}}  = 5 \text{ mA}$ | PRQ-791  |

## 10.4 I/O levels

**Table 24 I/O levels**

$T_J = -40^\circ\text{C}$  to  $150^\circ\text{C}$ ; all voltages with respect to ground, pos. current flowing into pin (unless otherwise specified).

| Parameter                               | Symbol                                  | Values |      |                   | Unit             | Note or condition  | P-Number |
|---|---|--------|------|-------------------|------------------|--|----------|
|   |   | Min.   | Typ. | Max.              |                  |  |          |
| Primary digital input low level         | $V_{\text{digital,input}}(\text{low})$  | 0      | –    | 0.8               | V                |  | PRQ-704  |
| Primary digital input high level        | $V_{\text{digital,input}}(\text{high})$ | 2      | –    | $V_{\text{VCC1}}$ | V                |  | PRQ-705  |
| INP high/low duration                   | $t_{\text{INPPD}}$                      | 750    | –    | –                 | ns               | $V_{\text{VCC1}}=\text{typ.}, V_{\text{VCC2}}=\text{typ.}, V_{\text{VEE2}}=\text{typ.}, 50\%$ to 50% | PRQ-970  |
| INN high/low duration                   | $t_{\text{INNPd}}$                      | 750    | –    | –                 | ns               | $V_{\text{VCC1}}=\text{typ.}, V_{\text{VCC2}}=\text{typ.}, V_{\text{VEE2}}=\text{typ.}, 50\%$ to 50% | PRQ-971  |
| Weak pull down resistance NRST, EN, INP | $R_{\text{PDIN1}}$                      | 40     | 48   | 60.5              | $\text{k}\Omega$ |  | PRQ-929  |
| Weak pull up resistance INN             | $R_{\text{PDINN}}$                      | 40     | 52   | 60.5              | $\text{k}\Omega$ |  | PRQ-930  |

## 10.5 DATA read-out

### 10.5.1 Functional description DATA

Diagnostic data are available in Ready\_Mode, Normal\_Mode and Error\_Mode, starting with the next frame.

The following diagnostic functions are reported in Ready\_Mode, Normal\_Mode and Error\_Mode:

- UVLO2
- OVLO2
- Gate monitoring

**10 Interface**

- Output stage monitoring
- OCP
- DESAT
- Sec. internal supervision error (Parity, OTP, PMU\_Supervision error)

The 8 bit diagnostic functions is pulse width modulated to a signal with a period of  $t_{Period\_Diag}$ .

The duty cycle of the DATA pin always remains in the range of  $D_{Diag}$  regardless of the diagnostic status.

**Note:** 0% and 100% duties are not allowed at DATA pin.

**Table 25 Diagnostic read-out at DATA pin**

| BIT <sub>x</sub>                                | Value               | Description      | Value | Description   | Example: Single failure DESAT |
|---|---------------------|------------------|-------|---------------|-------------------------------|
| BIT 0   | 0                   | PRIM NOT READY   | 1     | PRIM READY    | 1                             |
| BIT 1   | 0                   |                  | 1     |               | 1                             |
| BIT 2   | 0                   |                  | 1     |               | 1                             |
| BIT 3   | 0                   |                  | 1     |               | 1                             |
| BIT 4   | Reserved (always 0) |                  |       |               |                               |
| BIT 5   | 0                   | No OSM Error     | 1     | OSM Error     | 0                             |
| BIT 6   | 0                   | No GATEMON Error | 1     | GATEMON Error | 0                             |
| BIT 7   | 0                   | No DESAT Error   | 1     | DESAT Error   | 1                             |
| BIT 8   | 0                   | No OCP Error     | 1     | OCP Error     | 0                             |
| BIT 9   | 0                   | No UVLO2 Error   | 1     | UVLO2 Error   | 0                             |
| BIT 10  | 0                   | No OVLO2 Error   | 1     | OVLO2 Error   | 0                             |
| BIT 11  | 0                   | SEC READY        | 1     | SEC NOT READY | 0                             |
| <b>Result from example diagnostic read-out:</b> |                     |                  |       |               | Duty cycle = 3.49 %           |

The duty cycle for diagnostic read-out can be calculated using the following formula:

$$DC = \frac{\sum(BIT_x \cdot 2^x)}{4096}$$

**Figure 18 Formula to calculate the duty cycle for diagnostic read-out**

**10 Interface**

**10.5.2 Electrical characteristics DATA**

**Table 26 Electrical characteristics DATA**

$T_J = -40^{\circ}\text{C}$  to  $150^{\circ}\text{C}$ ; all voltages with respect to ground, pos. current flowing into pin (unless otherwise specified).

| Parameter                   | Symbol                                  | Values                 |                   |      | Unit          | Note or condition  | P-Number |
|-----------------------------|---|------------------------|-------------------|------|---------------|--|----------|
|                             |   | Min.                   | Typ.              | Max. |               |  |          |
| Diagnostic duty cycle range | $D_{\text{Diag}}$                       | 0.36                   | –                 | 99.6 | %             |  | PRQ-783  |
| Diagnostic period           | $t_{\text{Period\_Diag}}$               | 95                     | 100               | 105  | $\mu\text{s}$ |  | PRQ-785  |
| DATA output low level       | $V_{\text{DATA,output}} t(\text{low})$  | –                      | 0                 | 0.5  | V             | $V_{\text{VCC1}} \geq 3.0 \text{ V},  I_{\text{load}}  = 5 \text{ mA}$ | PRQ-706  |
| DATA output high level      | $V_{\text{DATA,output}} t(\text{high})$ | $V_{\text{CC1}} - 0.5$ | $V_{\text{VCC1}}$ | –    | V             | $V_{\text{VCC1}} \geq 3.0 \text{ V},  I_{\text{load}}  = 5 \text{ mA}$ | PRQ-707  |

**11 Application information**

**11 Application information**

The external component values are specified as typical values in a typical application. Deviation of the nominal values are specified as min or max values, if applicable. Unless otherwise specified the deviation for external components are:

- Resistor: ±10%
- Capacitor: -50% ... +30%

**Note:** *The following information is given as a hint for the implementation of the device only and shall not be regarded as a description or warranty of a certain functionality, condition or quality of the device.*

**11.1 Electrical characteristics external components**

**Table 27 Electrical characteristics external components**

| Parameter                                      | Symbol         | Values |      |      | Unit | Note or condition   | P-Number |
|--|----------------|--------|------|------|------|---|----------|
|  |                | Min.   | Typ. | Max. |      |   |          |
| Decoupling capacitance (between VCC1 and GND1) | $C_{dVCC1}$    | 0.55   | 1.1  | –    | μF   | Total capacitance refers to 1 μF capacitance + 0.1 μF close to the device. Max value depends on $t_{RP1}$ .                                       | PRQ-1002 |
| Decoupling capacitance (between VCC2 and GND2) | $C_{dVCC2}$    | –      | 11   | –    | μF   | Total capacitance refers to 10 μF capacitance + 1 μF close to the device. Values depend on external $C_{LOAD}$ . Max value depends on $t_{RP2}$ . | PRQ-1001 |
| Decoupling capacitance (between VEE2 and GND2) | $C_{dVEE2}$    | –      | 11   | –    | μF   | Total capacitance refers to 10 μF capacitance + 1 μF close to the device. Max value depends on $t_{RP3}$ .  | PRQ-1000 |
| Pull-up resistance                             | $R_{pu}$       | –      | 10   | –    | kΩ   | Min value depends on $I_{OUTx\_MAX}$ .  | PRQ-1015 |
| Filter resistance                              | $R_{Filter}$   | –      | 1    | –    | kΩ   | Value must fit to application   | PRQ-1016 |
| Filter capacitance                             | $C_{Filter}$   | –      | 47   | –    | pF   | Value must fit to application   | PRQ-1017 |
| DESAT resistance                               | $R_{Desat}$    | 1      | 2.2  | –    | kΩ   | Depends on maximum current and on $V_{DESATx}$ deviation.   | PRQ-1018 |
| DESAT filter capacitance                       | $C_{Desat}$    | 50     | 100  | –    | pF   | Depends on required response time.  | PRQ-1019 |
| OCP sense resistor                             | $R_{OCPSense}$ | –      | 0.47 | –    | Ω    | Value depends on power switch specification, voltage rating of OCP pin has to be considered.  | PRQ-1021 |

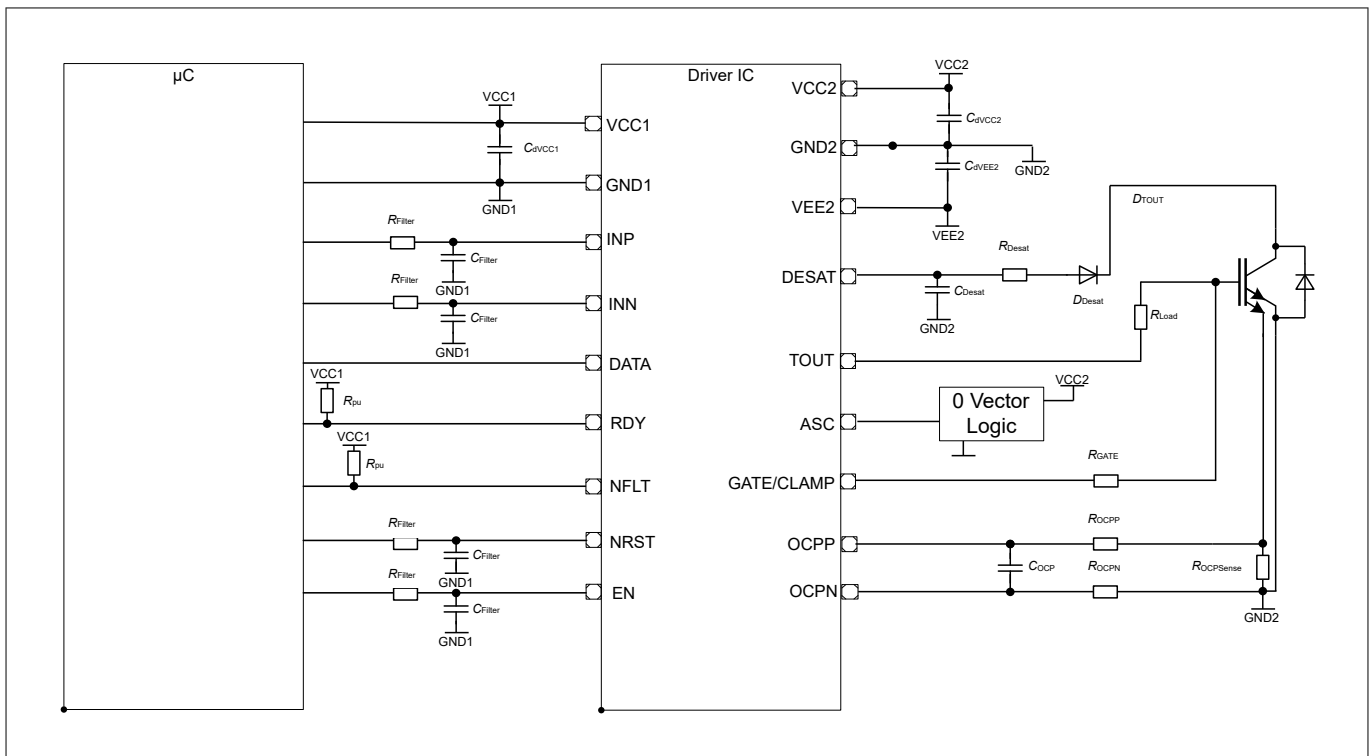
**(table continues...)**

**11 Application information**

**Table 27 (continued) Electrical characteristics external components**

| Parameter                    | Symbol     | Values |      |      | Unit     | Note or condition  | P-Number |
|------------------------------|------------|--------|------|------|----------|--|----------|
|                              |            | Min.   | Typ. | Max. |          |  |          |
| OCPP filter resistance       | $R_{OCPP}$ | -      | 10   | -    | $\Omega$ | Depends on required response time. Consider internal pull-up.  | PRQ-1022 |
| OCPP filter capacitance      | $C_{OCP}$  | -      | 10   | -    | pF       | Depends on required response time  | PRQ-1023 |
| OCPN resistance              | $R_{OCPN}$ | -      | 10   | -    | $\Omega$ | Should match to OCPP filter resistor. Consider internal pull-up.   | PRQ-1024 |
| TOUT resistance              | $R_{Load}$ | 1.7    | -    | -    | $\Omega$ | Min resistor value required according to max output current in functional range. Max value limited by gate monitoring feature. | PRQ-1025 |
| GATE/CLAMP series resistance | $R_{GATE}$ | -      | 0    | -    | $\Omega$ | Optional component. Voltage across resistor impacts Active Miller clamping feature.  | PRQ-1028 |

**11.2 Typical application example**

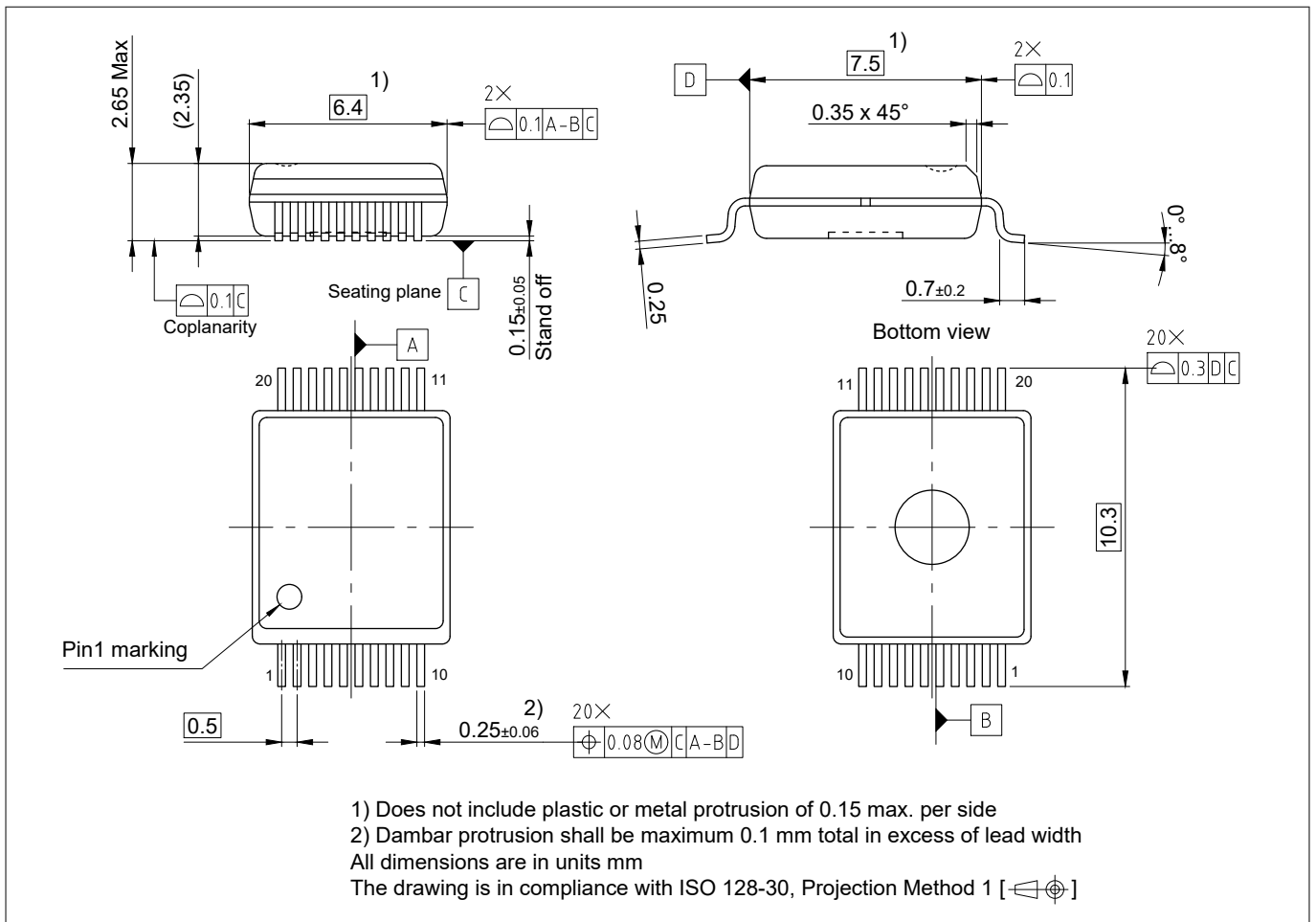


**Figure 19 Typical application example with ASC**

**Note:** This is a very simplified example. The function must be verified in the real application.

**12 Package information**

**12 Package information**



**Figure 20 PG-DSO-20**

**Green Product (RoHS compliant)**

To meet the world-wide customer requirements for environmentally friendly products and to be compliant with government regulations the device is available as a Green Product. Green Products are RoHS compliant (Pb-free finish on leads and suitable for Pb-free soldering according to IPC/JEDEC J-STD-020).

**Information on alternative packages**

Please visit [www.infineon.com/packages](http://www.infineon.com/packages).

**Revision history**

## Revision history

| Revision | Date       | Changes   |
|----------|------------|---|
| 1.2      | 2023-11-27 | Front Cover updated<br>Chapter 3.2 updated <ul style="list-style-type: none"><li>Table 3 updated - VEE2, VCC2 - Min. / Max. adjusted</li></ul> Chapter 3.4 updated <ul style="list-style-type: none"><li>Table 5 updated – Insulation upgraded to DIN EN IEC 60747-17 (VDE 0884-17):2021-10</li></ul> Chapter 5.2 updated <ul style="list-style-type: none"><li>Table 8 updated – <math>I_{QPVC1\_ON}</math> Max. adjusted</li></ul>              |
| 1.1      | 2022-02-17 | Chapter 3.2 updated <ul style="list-style-type: none"><li>Table 3 updated<ul style="list-style-type: none"><li>VCC1, VEE2, VCC2 ramp-up slew-rates reduced</li><li>ramp-down condition removed</li></ul></li></ul> Chapter 3.4 updated <ul style="list-style-type: none"><li>Table 5 updated<ul style="list-style-type: none"><li>extended by further electrical information</li><li>additional reinforced insulation options</li></ul></li></ul> |
| 1.01     | 2021-06-25 | Typo in insulation certification standard corrected   |
| 1.0      | 2021-03-18 | Initial datasheet created   |



## Trademarks

All referenced product or service names and trademarks are the property of their respective owners.

**Edition 2023-11-27**

**Published by**

**Infineon Technologies AG**

**81726 Munich, Germany**

**© 2023 Infineon Technologies AG**

**All Rights Reserved.**

**Do you have a question about any aspect of this document?**

**Email: [erratum@infineon.com](mailto:erratum@infineon.com)**

**Document reference**

**IFX-Z8F65960513**

## Important notice

The information given in this document shall in no event be regarded as a guarantee of conditions or characteristics ("Beschaffheitsgarantie").

With respect to any examples, hints or any typical values stated herein and/or any information regarding the application of the product, Infineon Technologies hereby disclaims any and all warranties and liabilities of any kind, including without limitation warranties of non-infringement of intellectual property rights of any third party.

In addition, any information given in this document is subject to customer's compliance with its obligations stated in this document and any applicable legal requirements, norms and standards concerning customer's products and any use of the product of Infineon Technologies in customer's applications.

The data contained in this document is exclusively intended for technically trained staff. It is the responsibility of customer's technical departments to evaluate the suitability of the product for the intended application and the completeness of the product information given in this document with respect to such application.

## Warnings

Due to technical requirements products may contain dangerous substances. For information on the types in question please contact your nearest Infineon Technologies office.

Except as otherwise explicitly approved by Infineon Technologies in a written document signed by authorized representatives of Infineon Technologies, Infineon Technologies' products may not be used in any applications where a failure of the product or any consequences of the use thereof can reasonably be expected to result in personal injury.