



**Please note that Cypress is an Infineon Technologies Company.**

The document following this cover page is marked as “Cypress” document as this is the company that originally developed the product. Please note that Infineon will continue to offer the product to new and existing customers as part of the Infineon product portfolio.

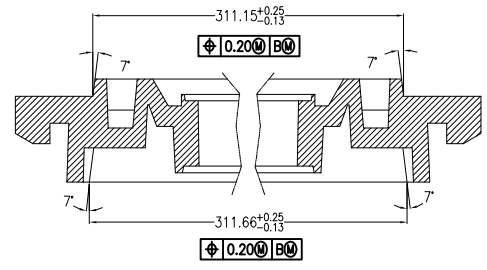
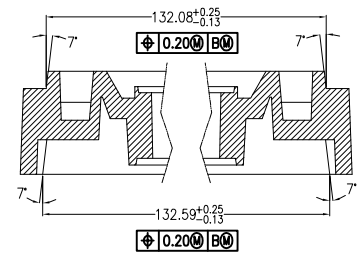
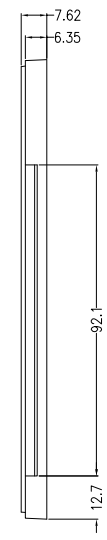
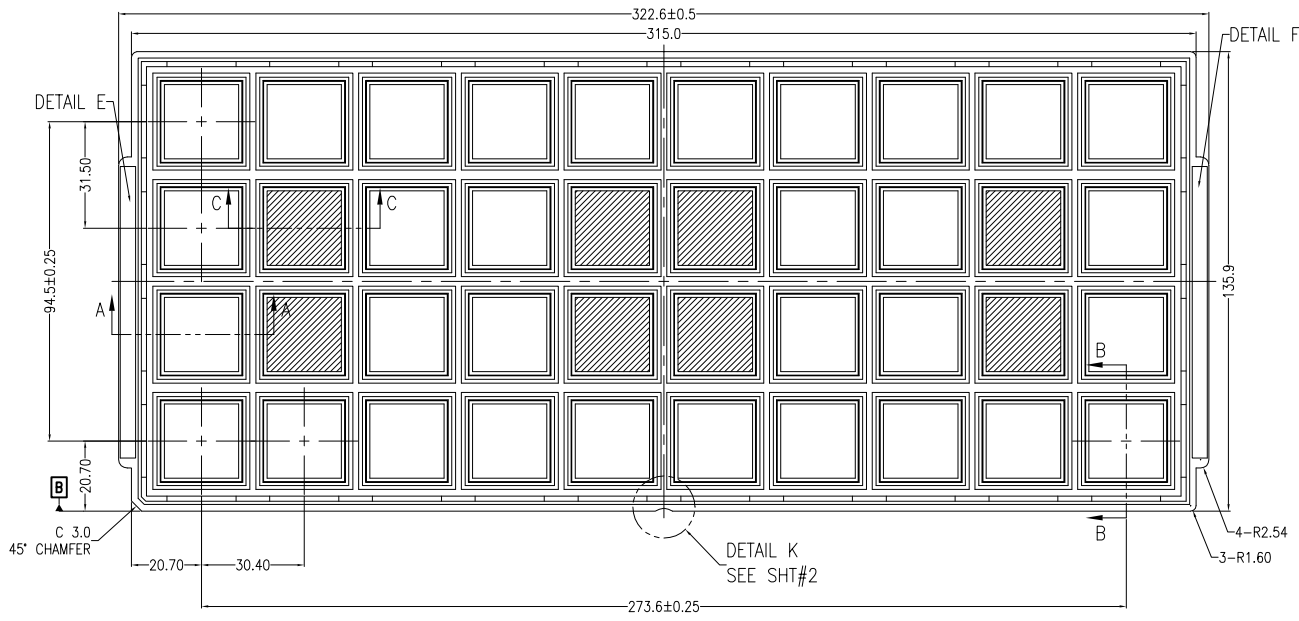
**Continuity of document content**

The fact that Infineon offers the following product as part of the Infineon product portfolio does not lead to any changes to this document. Future revisions will occur when appropriate, and any changes will be set out on the document history page.

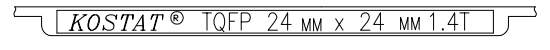
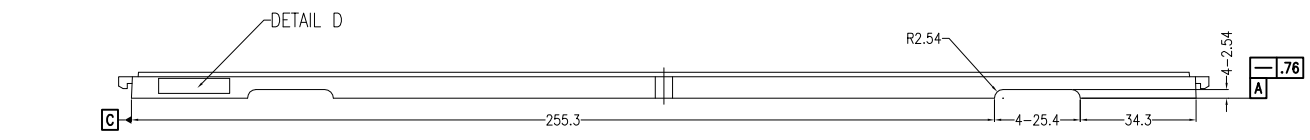
**Continuity of ordering part numbers**

Infineon continues to support existing part numbers. Please continue to use the ordering part numbers listed in the datasheet for ordering.

REVISIONS						
PAGE	ZONE	REV	ECN	DESCRIPTION	DATE	APPROVER
1	-	**	106551	NEW RELEASE	04/18/01	
1	-	*A	3240984	UPDATED DRAWING CHANGE DRAWING TEMPLATE	04/28/11	
1	-	*B	3604902	REMOVE LAYER COLORS ON PDF FILE	05/04/12	
1	-	*C	4772914	UPDATE DRAWING TEMPLATE	05/21/15	

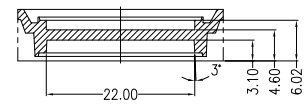


TRAY STACKING DETAIL

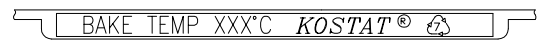


TQFP 24mmX24mm 1.4T  
KS-8302

DETAIL E



SECTION C-C

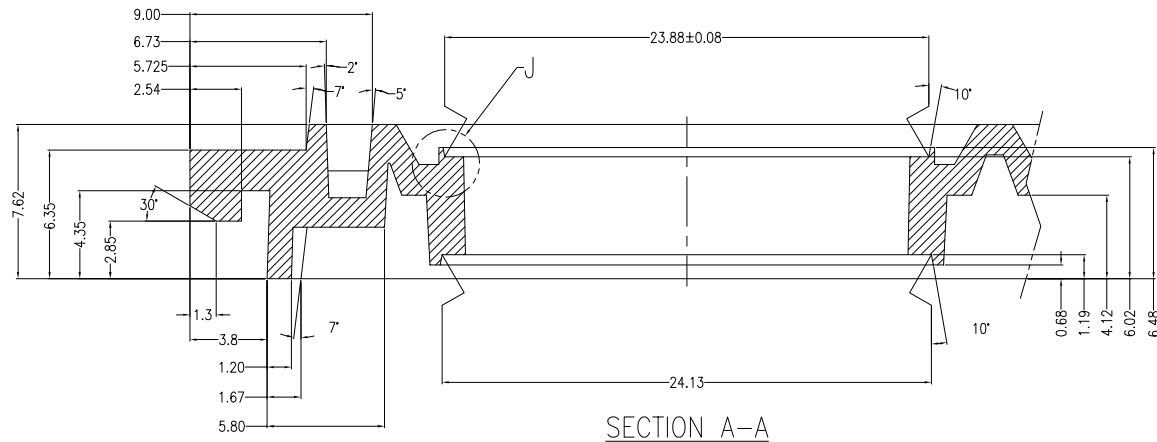


DETAIL F

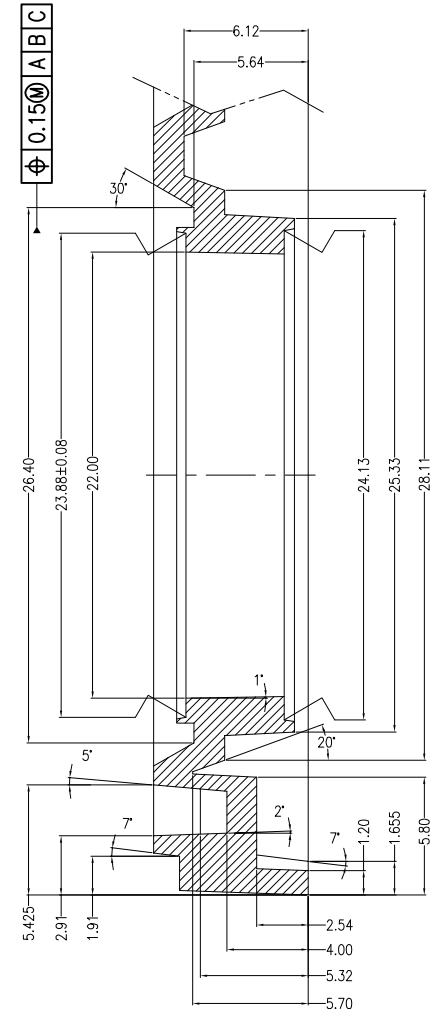
DESCRIPTION	MATERIAL	COLOR	TEMP °C	ESD
BAKEABLE	KS-6110	BLACK	150°C	10 <sup>6</sup> TO 10 <sup>11</sup> OHMS/SQ.

UNLESS OTHERWISE SPECIFIED		DESIGNED BY	DATE	
ALL DIMENSIONS ARE IN MILLIMETERS		DRAWN	DATE	
STANDARD TOLERANCES ON:		CHK BY	DATE	
DECIMALS	± 0.25	APPROVED BY	DATE	
XX	± 0.130	DATE	DATE	
XXX	± 0.100	APPROVED BY	DATE	
XXXX	± 0.1000	DATE	DATE	
MATERIAL	SEE NOTE	APPROVED BY	DATE	TITLE
FINISH	SEE NOTE			176 TQFP TRAY 24 X 24 X 1.4MM
				SIZE
				A
				PART NO.
				TA242414
				DWG NO.
				51-52084
				REV
				*C
DO NOT SCALE				SHEET
				1 OF 2

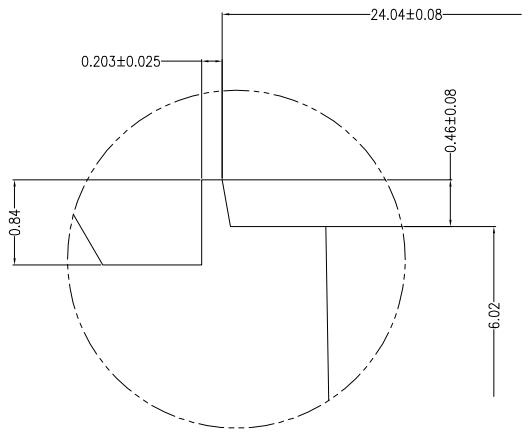
THIS DRAWING CONTAINS INFORMATION WHICH IS THE PROPRIETARY PROPERTY OF CYPRESS SEMICONDUCTOR CORPORATION. THIS DRAWING IS RECEIVED IN CONFIDENCE AND ITS CONTENTS MAY NOT BE DISCLOSED WITHOUT WRITTEN CONSENT OF CYPRESS SEMICONDUCTOR CORPORATION.



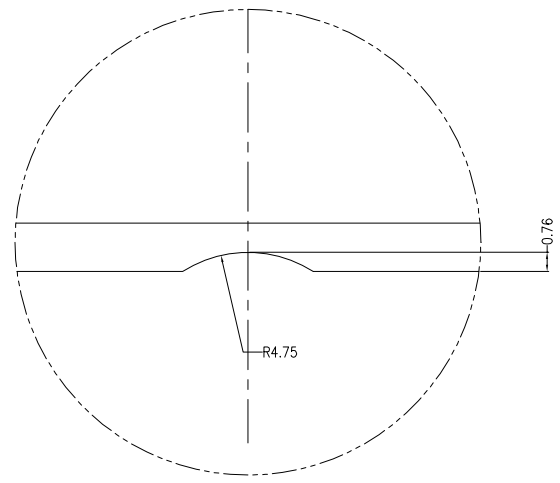
SECTION A-A



SECTION B-B



DETAIL J



DETAIL K

UNLESS OTHERWISE SPECIFIED		DESIGNED BY	DATE		
ALL DIMENSIONS ARE IN MILLIMETERS		DRAWN	DATE		
STANDARD TOLERANCES ON:		CHK BY	DATE	TITLE	
DECIMALS	ANGLES	APPROVED BY	DATE	176 TQFP TRAY 24 X 24 X 1.4MM	
XX ± 0.25	± 0.5	APPROVED BY	DATE	SIZE	PART NO.
XXX ± 0.150		APPROVED BY	DATE	A	TA242414
XXXX ± 0.1000				DWG NO	REV
				51-52084	*C
MATERIAL	SEE NOTE			DO NOT SCALE	
FINISH	SEE NOTE			SHEET 2 OF 2	

THIS DRAWING CONTAINS INFORMATION WHICH IS THE PROPRIETARY PROPERTY OF CYPRESS SEMICONDUCTOR CORPORATION. THIS DRAWING IS RECEIVED IN CONFIDENCE AND ITS CONTENTS MAY NOT BE DISCLOSED WITHOUT WRITTEN CONSENT OF CYPRESS SEMICONDUCTOR CORPORATION.