



**Please note that Cypress is an Infineon Technologies Company.**

The document following this cover page is marked as “Cypress” document as this is the company that originally developed the product. Please note that Infineon will continue to offer the product to new and existing customers as part of the Infineon product portfolio.

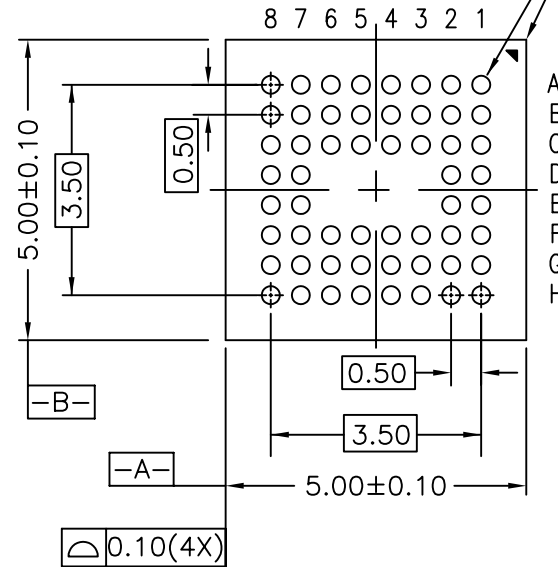
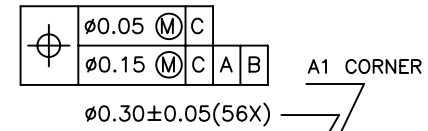
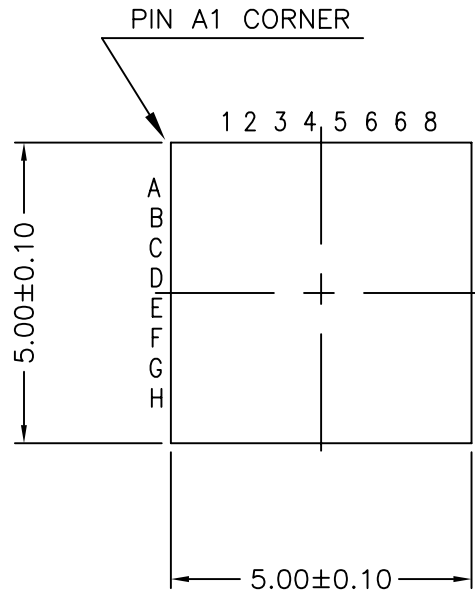
**Continuity of document content**

The fact that Infineon offers the following product as part of the Infineon product portfolio does not lead to any changes to this document. Future revisions will occur when appropriate, and any changes will be set out on the document history page.

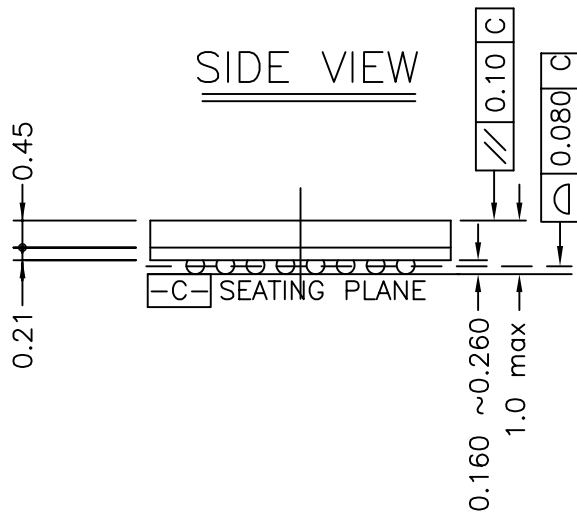
**Continuity of ordering part numbers**

Infineon continues to support existing part numbers. Please continue to use the ordering part numbers listed in the datasheet for ordering.

TOP VIEW



SIDE VIEW



BOTTOM VIEW

REFERENCE JEDEC: MO-195C  
 PACKAGE WEIGHT: 0.02 grams


		CYPRESS Company Confidential	
TITLE PACKAGE OUTLINE, 56L VFBGA 5X5X1.0 MM 0.50 PITCH, 0.30 BALL BZ56			
SPEC NO. 001-03901		REV *F	
SCALE		SHEET 1 OF 2	

THIS DRAWING CONTAINS INFORMATION WHICH IS THE PROPRIETARY PROPERTY OF CYPRESS SEMICONDUCTOR CORPORATION. THIS DRAWING IS RECEIVED IN CONFIDENCE AND ITS CONTENTS MAY NOT BE DISCLOSED WITHOUT WRITTEN CONSENT OF CYPRESS SEMICONDUCTOR CORPORATION.

PACKAGE CODE(S)

BZ56

Rev	ECN No.	Orig. of change	Description of Change
**	387516	RWJ	NEW RELEASE
*A	392880	RWJ	REVISED BALL MAPPING
*B	395793	RWJ	ADDED MAX PACKAGE THICKNESS & ADDED PACKAGE WEIGHT
*C	2789713	TZWTMP3	CHANGE TEMPLATE, CHANGE TITLE FROM 56 FBGA 5X5X1.0MM, 0.05 PITCH, 0.30 BALL PKG OUTL TO PACKAGE OUTLINE, 56L FBGA 5X5X1.0 MM 0.05 PITCH, 0.30 BALL BZ56
*D	3203049	XANC	CHANGE TITLE FROM PACKAGE OUTLINE, 56L FBGA 5X5X1.0MM 0.05 PITCH, 0.30 BALL BZ56 TO PACKAGE OULINE, 56L VFBGA 5X5X1.0MM 0.05 PITCH, 0.30 BALL BZ56.
*E	3375464	AGM	Update for sunset review, no changed
*F	4709311	ROWI	SUNSET REVIEW, CHANGED DRAWING TEMPLATE.

 <b>CYPRESS</b> Company Confidential	
TITLE PACKAGE OUTLINE, 56L VFBGA 5X5X1.0 MM 0.50 PITCH, 0.30 BALL BZ56	
SPEC NO. 001-03901	REV *F
SCALE	SHEET 2 OF 2

THIS DRAWING CONTAINS INFORMATION WHICH IS THE PROPRIETARY PROPERTY OF CYPRESS SEMICONDUCTOR CORPORATION. THIS DRAWING IS RECEIVED IN CONFIDENCE AND ITS CONTENTS MAY NOT BE DISCLOSED WITHOUT WRITTEN CONSENT OF CYPRESS SEMICONDUCTOR CORPORATION.

PACKAGE CODE(S) BZ56