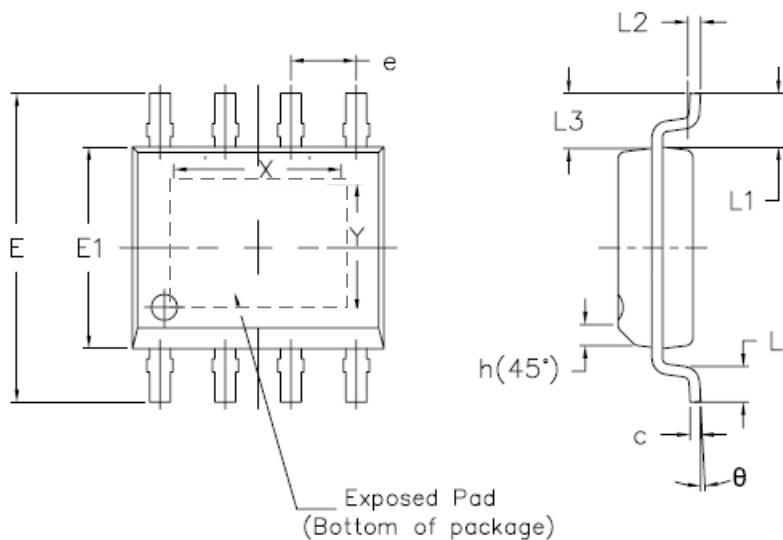


Package Information

PSOP8L



| | DIMENSIONS | | | |
|---------|------------|-------|-----------|--------|
| | mm | | inch | |
| | MIN. | MAX. | MIN. | MAX. |
| A | — | 1.75 | — | 0.0689 |
| A1 | 0 | 0.10 | 0 | 0.0039 |
| A2 | 1.25 | — | 0.0492 | — |
| b | 0.31 | 0.51 | 0.0122 | 0.0201 |
| c | 0.17 | 0.25 | 0.0067 | 0.0098 |
| D | 4.90BSC | | 0.1929BSC | |
| E | 6.00BSC | | 0.2362BSC | |
| E1 | 3.90BSC | | 0.1535BSC | |
| e | 1.27BSC | | 0.0500BSC | |
| h | 0.25 | 0.50 | 0.0098 | 0.0197 |
| L | 0.40 | 1.27 | 0.0158 | 0.0500 |
| L1 | 1.04REF | | 0.0409REF | |
| L2 | 0.25BSC | | 0.0098BSC | |
| L3 | 1.04REF | | 0.0409REF | |
| θ | 0° | 8° | 0° | 8° |
| OPTION2 | X | 3.300 | 0.1300 | |
| | Y | 2.410 | 0.0950 | |

