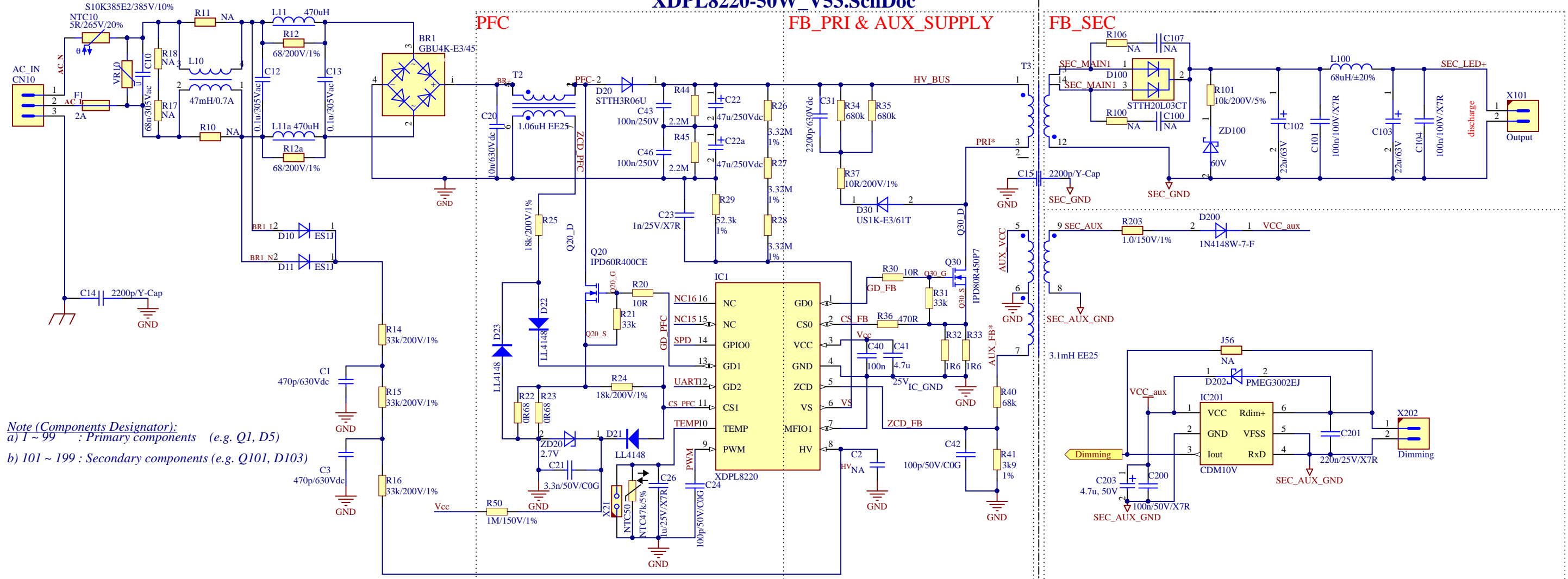
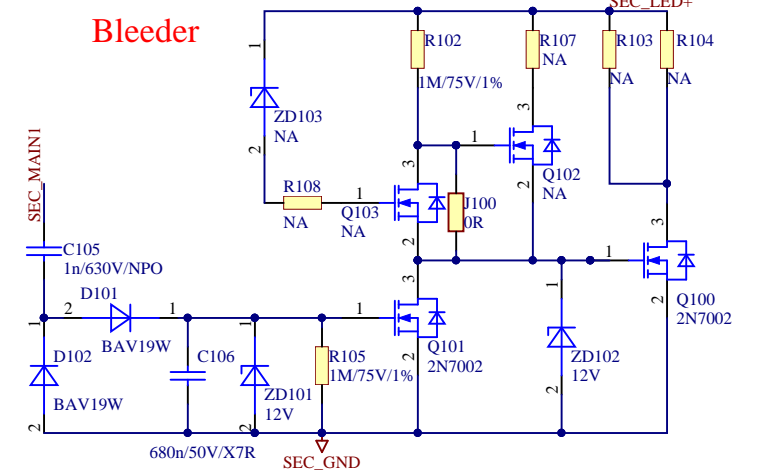
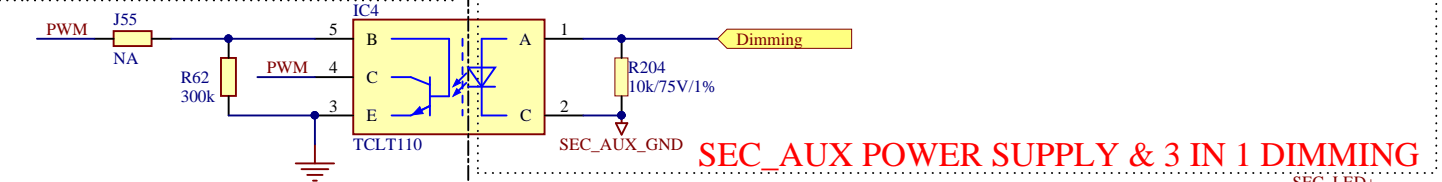
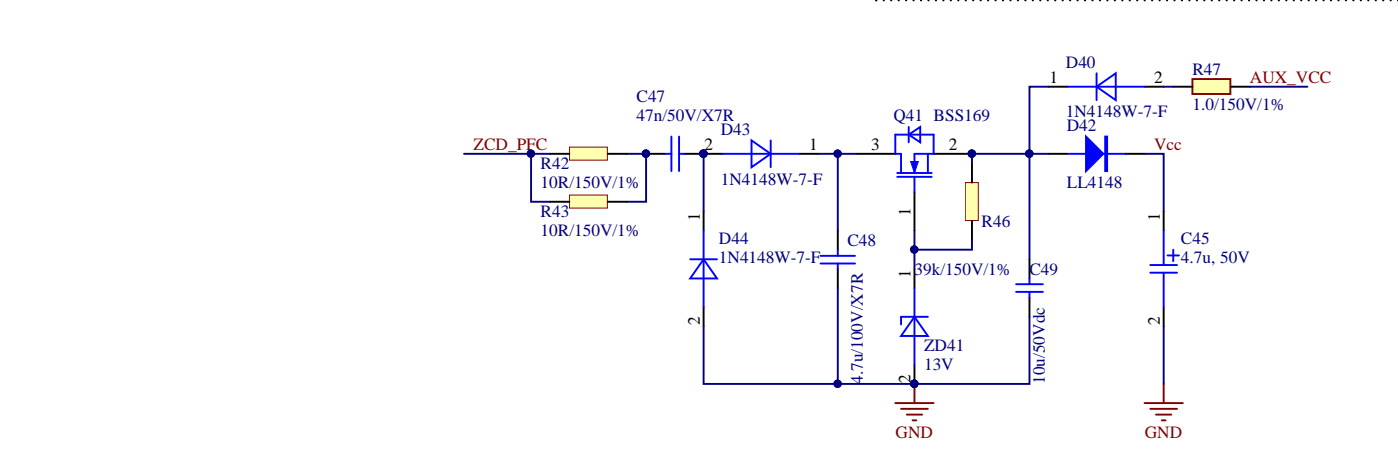


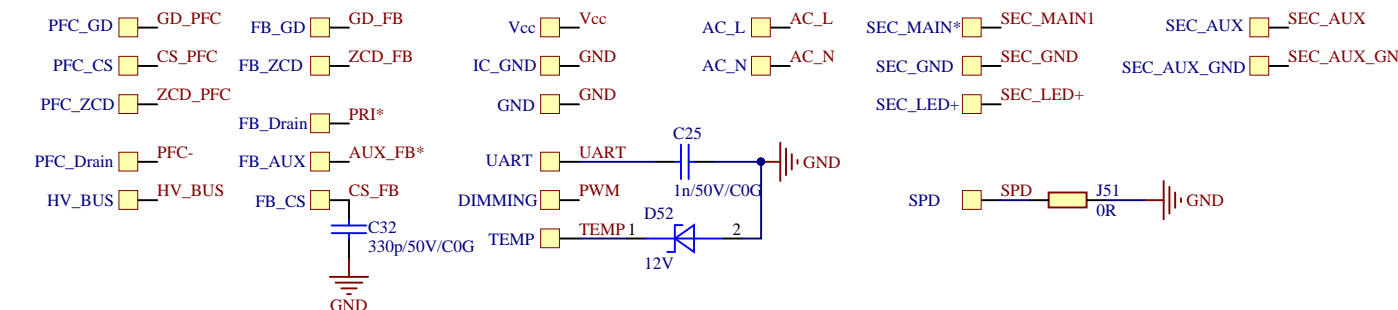
# XDPL8220-50W\_V53.SchDoc



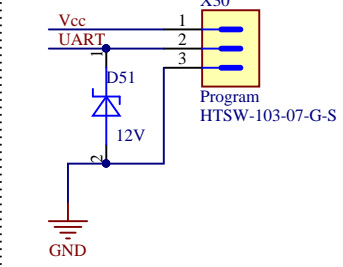
**Note (Components Designator):**  
 a) 1 ~ 99 : Primary components (e.g. Q1, D5)  
 b) 101 ~ 199 : Secondary components (e.g. Q101, D103)



## TEST POINTS



## PROGRAM



<b>Infineon Technologies AG</b>		PMM ACDC AE LI	
Am Campeon 1-12 - 85579 Neubiberg - Germany			
Title	XPDL8220 FF2 50W		
Variant	[No Variations]	Approved	<Appr.>
Size: A3	Document Name: XDPL8220-50W_V53.SchDoc	Rel. TJ	Rev. V5.3
Author: TJ	Date: 30.11.2016	Time: 10:02:29	SVN Revision: Not in version control
© Infineon Technologies AG 2014. All Rights Reserved.			
			Sheet of 1