



SAE 8050 - I²RF™ light 2.4 GHz Full Duplex Wireless Transceiver

The SAE 8050 is a single-chip full duplex multichannel transceiver system for the 2.4 GHz ISM band. This device combines outstanding RF performance with the flexibility of digital circuits.

A USB 2.0 interface and a very small 10 x 10 mm package make the SAE 8050 ideal for all wireless host applications.

With just one chip and a 12 MHz crystal you can cover the 2.4 GHz ISM band, lowering your logistics and production costs. Benefit from design speed and flexibility by using the high-performance one-chip solution for your application.

Features

- 2.4 GHz ISM band full duplex transceiver supporting Frequency Hopping Spread Spectrum and Adaptive Frequency Hopping
- 8-bit microcontroller
- Code ROM memory (64KBytes)
- Data RAM memory (8KBytes)
- USB2.0 full speed device interface
- 14 dedicated general purpose digital inputs/outputs (GPIO)
- I²C controller supporting 100kHz/400kHz data rate (master mode)
- 2 general purpose 16-bit timers and a watch dog timer
- 1 UART supporting 9600/19200/38400/115200 baud rates
- 1 ISO7816 compliant interface (asynchronous mode)
- Debug interface for firmware development (JTAG)
- Supply voltage range 2.0..3.6V
- Operating temperature range -25..+85°C
- LQFP-64 green package

Key Benefits & Applications

Key Benefits

- Single chip with integrated RF
- Adaptive Frequency Hopping (AFH) and Frequency Hopping Spread Spectrum (FHSS) for interference-robust communication
- Excellent RF parameters: up to 15 m range
- Only one crystal needed for the complete system
- User-friendly software, documentation and evaluation boards

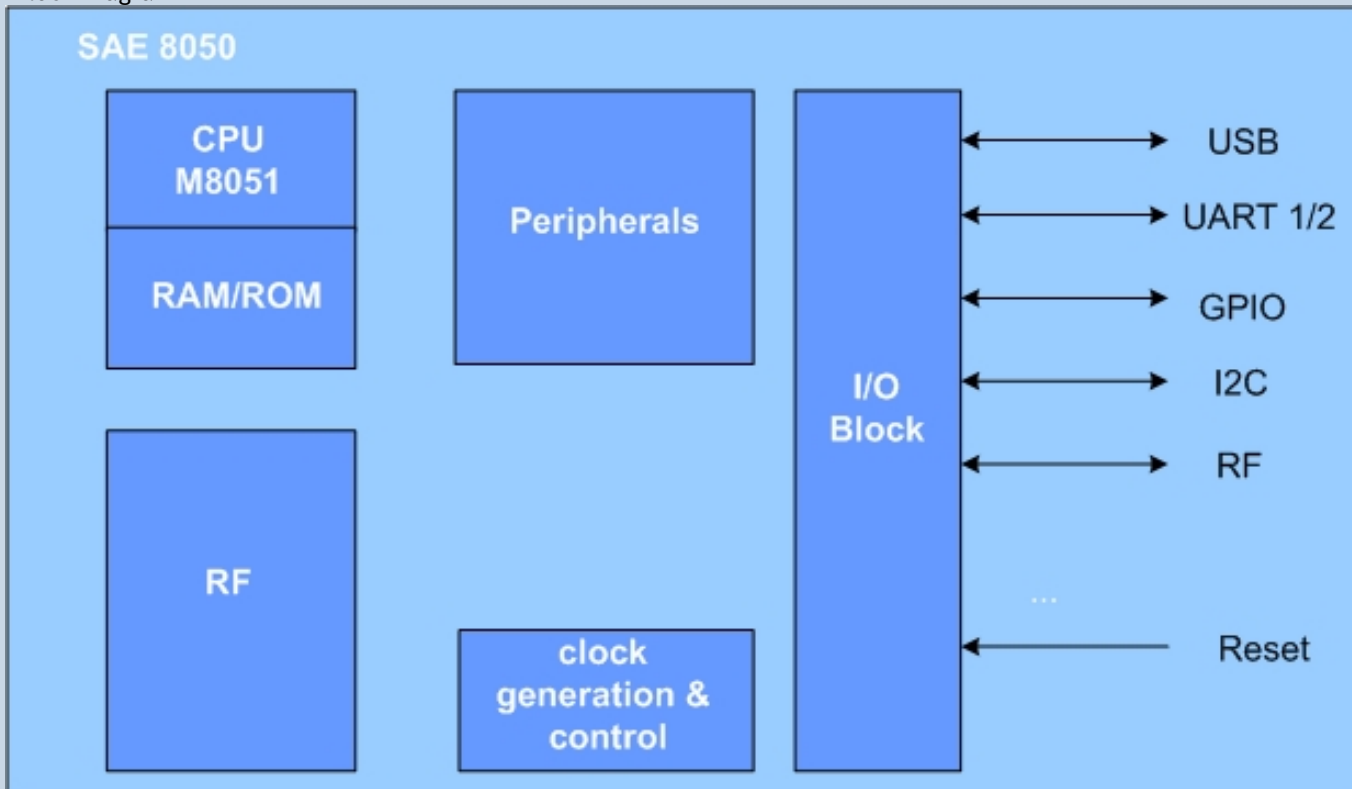
Applications

- Easy cable replacement for many applications
- Industrial monitoring and control
- Wireless alarm and security systems
- Automatic meter reading
- Home automation
- Secure remote keyless entry
- Barcode reading
- Point-of-Sales systems

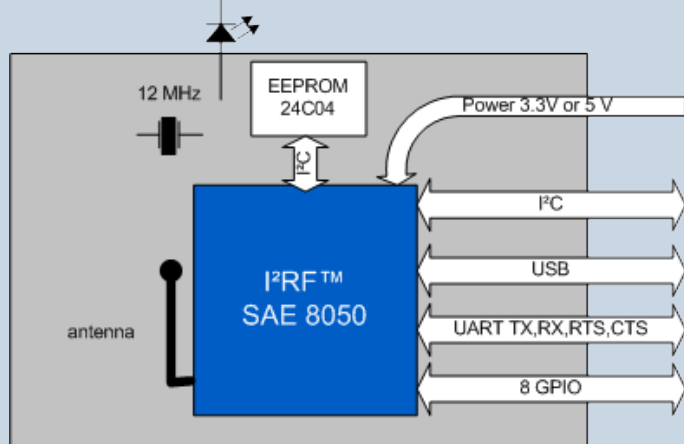
SAE 8050 - I²RF™ light

2.4 GHz Full Duplex Wireless Transceiver

Block Diagram



Application Diagram



Published by
Infineon Technologies AG
85579 Neuburg, Germany

© 2010 Infineon Technologies AG.
All Rights Reserved.

Visit us:
www.infineon.com

Order Number: B139-H9506-X-X-7600
Date: 07 / 2010

ATTENTION PLEASE!

The information given in this document shall in no event be regarded as a guarantee of conditions or characteristics ("Beschaffenheitsgarantie"). With respect to any examples or hints given herein, any typical values stated herein and/or any information regarding the application of the device, Infineon Technologies hereby disclaims any and all warranties and liabilities of any kind, including without limitation warranties of non-infringement of intellectual property rights of any third party.

INFORMATION

For further information on technology, delivery terms and conditions and prices please contact your nearest Infineon Technologies Office (www.infineon.com).

WARNINGS

Due to technical requirements components may contain dangerous substances. For information on the types in question please contact your nearest Infineon Technologies Office. Infineon Technologies Components may only be used in life-support devices or systems with the express written approval of Infineon Technologies, if a failure of such components can reasonably be expected to cause the failure of that life-support device or system, or to affect the safety or effectiveness of that device or system. Life support devices or systems are intended to be implanted in the human body, or to support and/or maintain and sustain and/or protect human life. If they fail, it is reasonable to assume that the health of the user or other persons may be endangered.