

DM2411 24GHz Radar System

APPLICATIONS

- Detect movement, velocity, distance and presence
- Intelligent motion detection
- Energy efficient lighting
- Tank level monitoring
- Parking metering
- Collision detection

FEATURES

- Small form factor
- Detection range: 1 – 50ft
- USB or UART interface
- Supports patch and horn antennas
- RoHS compliant

CONTACT DETAILS

Delta Mobile Systems
645 Tollgate Road, Ste. 300
Elgin, IL 60123
PH: 847-468-1840 ext: 200
FAX: 847-387-5525
EMAIL: info@deltamobile.com

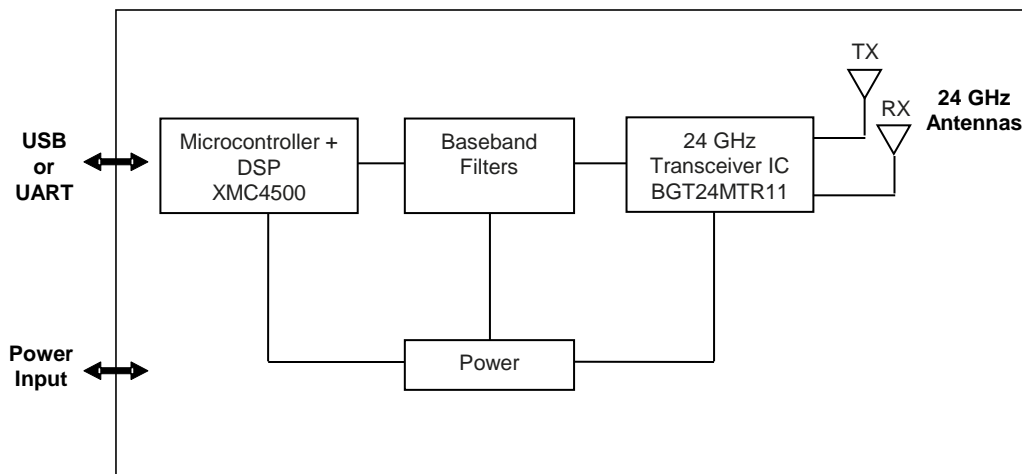
The DM2411 24GHz Radar System offers a complete solution that enables intelligent detection of movement, velocity, distance and presence. It is customizable for a wide range of applications within industrial, security, energy efficiency, smart parking and safety markets where accuracy, reliability and repeatability are needed.



DM2411

Designed to withstand harsh conditions, DM2411 provides excellent reliability under exposure to environmental influences such as rain, snow, dust and sunlight. Due to its small form factor, the module can be easily mounted onto door frames, lampposts, vehicles and industrial equipment. The system can support different use cases through the use of customized software algorithms.

Evaluation kits (DM2411-EVM) are now available in limited quantities. To inquire about DM2411 or DM2411-EVM, please contact Delta Mobile Systems at 847-468-1840 or info@deltamobile.com.



Functional Block Diagram

For more information on any of our products or services please visit us on the Web at: www.deltamobile.com

Minimum / Maximum Ratings

Rating	Value	Units
Input Voltage	5	V
Operating Temperature	-30 to 70	°Celsius
Storage Temperature	-40 to 85	°Celsius

Characteristics

Characteristic	Specification
Supported Radar Modes	CW, FSK, FMCW, and others
Application Modes	Presence, speed, range
Antenna	Patch array (+/-20deg. 3dB Beam width)
Communication Interface	Complete system: Micro USB, GPIO, UART RF frontend: SPI
Frequency Range	24.050GHz to 24.250GHz (programmable)
Radiated Output Power	+20dBm max. EIRP (user adjustable)
Dimensions	3.5 x 2.2 x 1.2 inches (88 x 56 x 31 mm)
Environmental	IP67

CONTACT DETAILS

Delta Mobile Systems
645 Tollgate Road, Ste. 300
Elgin, IL 60123
PH: 847-468-1840 ext: 200
FAX: 847-387-5525
EMAIL: info@deltamobile.com

Note: This specification is subject to change without notice.