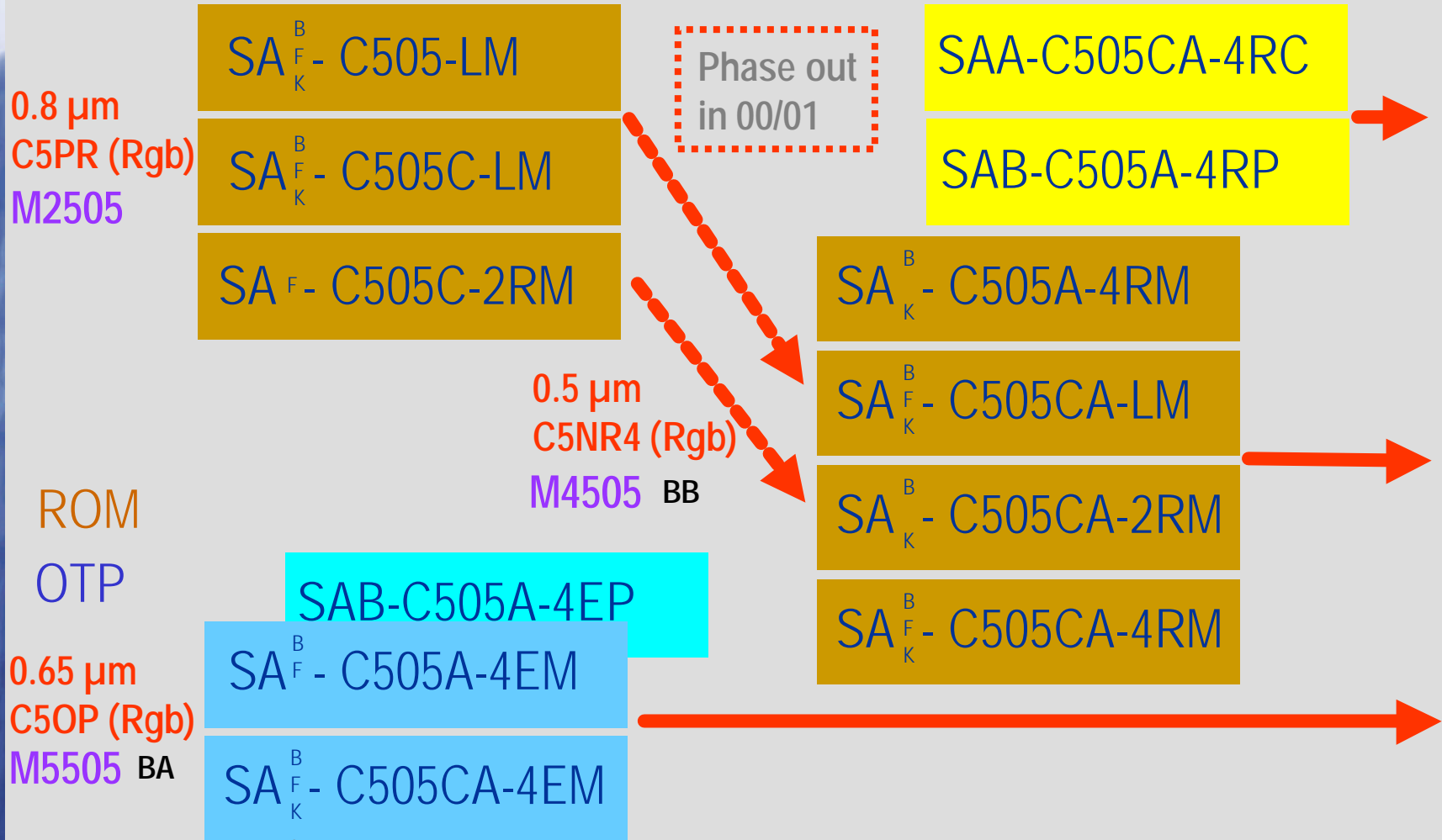
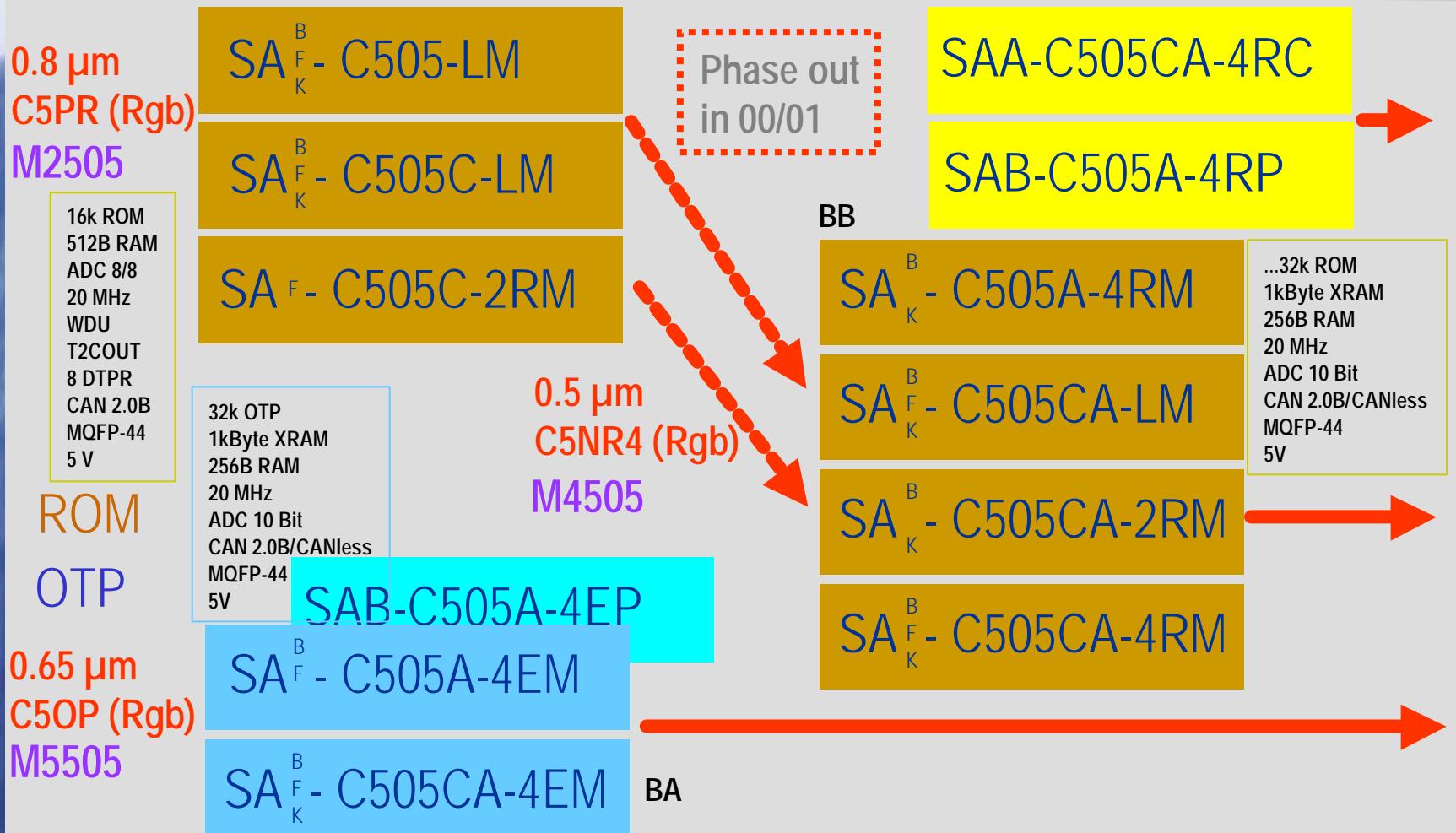


Roadmap C505



Roadmap C505



16k ROM
512B RAM
ADC 8/8
20 MHz
WDU
T2COUT
8 DTPR
CAN 2.0B
MQFP-44
5 V

32k OTP
1kByte XRAM
256B RAM
20 MHz
ADC 10 Bit
CAN 2.0B/CANless
MQFP-44
5V

...32k ROM
1kByte XRAM
256B RAM
20 MHz
ADC 10 Bit
CAN 2.0B/CANless
MQFP-44
5V

ROM
OTP

0.65 μm
C5OP (Rgb)
M5505



Order Codes C505

ROM

SA_K^B - C505A-4RM

Q 67127-D*

0.5 μm
C5NR4 (Rgb)

SA_K^B_F - C505CA-LM

Q 67127-C2279

Q 67127-C2277, (for SAF: BA/BB)

Q 67127-C2278

M4505 BB

SA_K^B - C505CA-2RM

Q 67127-D*

SA_K^B_F - C505CA-4RM

Q 67127-D*

OTP

SA_F^B - C505A-4EM

Q 67127-C2060

Q 67121-C2061

0.65 μm
C5OP (Rgb)

SA_K^B_F - C505CA-4EM

Q 67127-C1082

Q 67127-C2058

Q 67127-C2059

M5505 BA

Semiconductors for Automotive

Sales & Marketing

