

BTM 7740G Trilith IC



THE BTM 7740G is part of the Trilith IC family containing three dies in one package: One double high-side switch and two low-side switches. The drains of these three vertical DMOS chips are mounted on separated lead frames. The sources are connected to individual pins, so the BTM 7740G can be used in H-bridge- as well as in any other configuration. Both the double high-side and the two low-side switches of the BTM 7740G are manufactured in SMART SIPMOS® technology which combines low R_{DSon} vertical DMOS power stages with CMOS circuitry for control, protection and diagnosis.

Product Summary

Type	Package	Marking
BTM 7740G	PG-DSO-28-22	BTM 7740G

Applications

- Door lock
- Fuel flap lock
- Mirror flap
- Steering wheel lock
- Headrest adjustment
- Various industry applications

Features

- Quad D-MOS switch driver
- Free configurable as bridge or quad-switch
- Optimized for DC motor management applications
- Low R_{DSon}
High side: 110 mΩ typ. @ 25°C, 270 mΩ max. @ 150°C
Low side: 100 mΩ typ. @ 25°C, 230 mΩ max. @ 150°C
- Peak current: typ. 8 A @ 25°C
- Very low quiescent current: typ. 5 μA @ 25°C
- Small outline, enhanced power PG-DSO-package
- Operates up to 40 V
- PWM frequencies up to 1 kHz
- Status flag diagnosis
- Short-circuit-protection
- Overtemperature shut down with hysteresis
- Internal clamp diodes
- Under-voltage detection with hysteresis
- Green product (RoHS compliant)
- AEC qualified

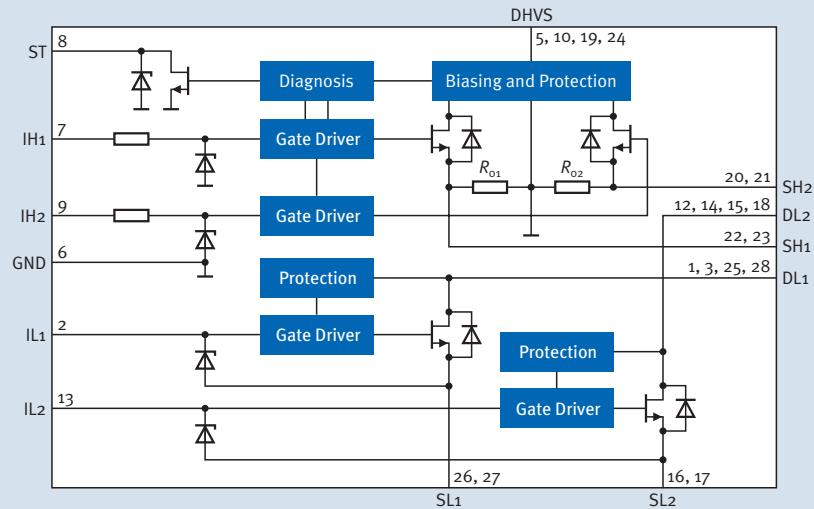
www.infineon.com/trilithic

Automotive Power

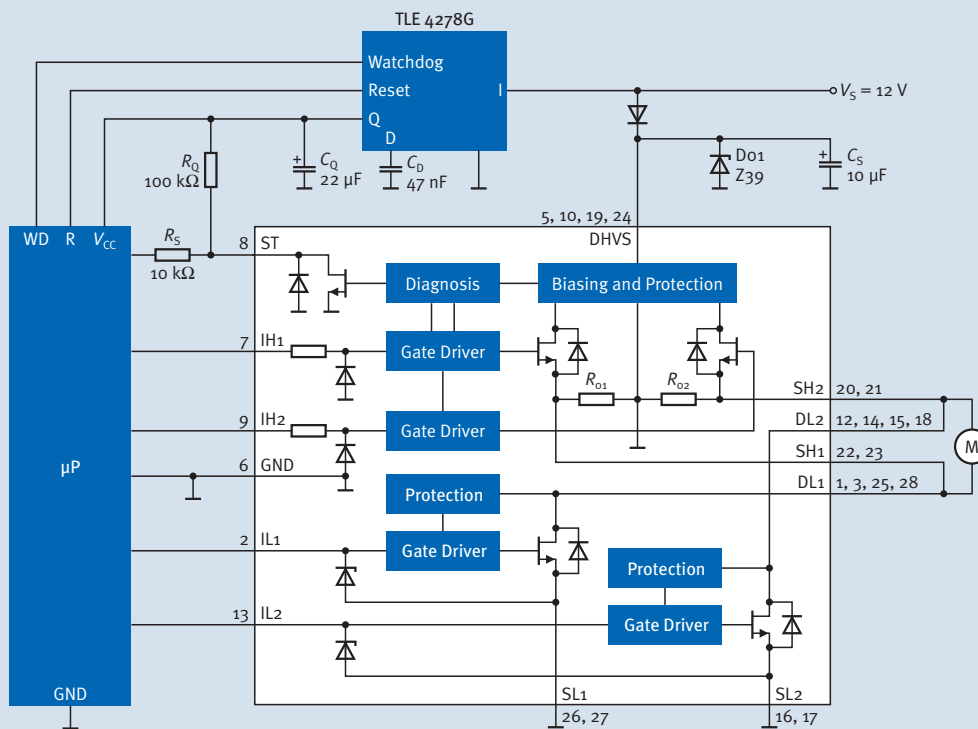


Never stop thinking

Block Diagram



Application Example



In case of $V_{DSL} < -0.6\text{ V}$ or reverse battery the current into the μC might be limited by external resistors to protect the μC

How to reach us:
<http://www.infineon.com>

Published by
 Infineon Technologies AG
 81726 Munich, Germany

© 2007 Infineon Technologies AG
 All Rights Reserved.

Legal Disclaimer

The information given in this Product Brief shall in no event be regarded as a guarantee of conditions or characteristics. With respect to any examples or hints given herein, any typical values stated herein and/or any information regarding the application of the device, Infineon Technologies hereby disclaims any and all warranties and liabilities of any kind, including without limitation, warranties of non-infringement of intellectual property rights of any third party.

Information

For further information on technology, delivery terms and conditions and prices, please contact the nearest Infineon Technologies Office (www.infineon.com).

Warnings

Due to technical requirements, components may contain dangerous substances. For information on the types in question, please contact the nearest Infineon Technologies Office.

Infineon Technologies components may be used in life-support devices or systems only with the express written approval of Infineon Technologies, if a failure of such components can reasonably be expected to cause the failure of that life-support device or system or to affect the safety or effectiveness of that device or system. Life support devices or systems are intended to be implanted in the human body or to support and/or maintain and sustain and/or protect human life. If they fail, it is reasonable to assume that the health of the user or other persons may be endangered.