

BGA758L7

BGA758L7 Low Noise Amplifier for  
5-6 GHz WLAN/WiMAX Applications

Application Note AN188

Revision: Rev. 1.0  
2010-02-20

**Edition 2010-03-10**

**Published by  
Infineon Technologies AG  
81726 Munich, Germany**

**© 2011 Infineon Technologies AG  
All Rights Reserved.**

#### **Legal Disclaimer**

The information given in this document shall in no event be regarded as a guarantee of conditions or characteristics. With respect to any examples or hints given herein, any typical values stated herein and/or any information regarding the application of the device, Infineon Technologies hereby disclaims any and all warranties and liabilities of any kind, including without limitation, warranties of non-infringement of intellectual property rights of any third party.

#### **Information**

For further information on technology, delivery terms and conditions and prices, please contact the nearest Infineon Technologies Office ([www.infineon.com](http://www.infineon.com)).

#### **Warnings**

Due to technical requirements, components may contain dangerous substances. For information on the types in question, please contact the nearest Infineon Technologies Office.

Infineon Technologies components may be used in life-support devices or systems only with the express written approval of Infineon Technologies, if a failure of such components can reasonably be expected to cause the failure of that life-support device or system or to affect the safety or effectiveness of that device or system. Life support devices or systems are intended to be implanted in the human body or to support and/or maintain and sustain and/or protect human life. If they fail, it is reasonable to assume that the health of the user or other persons may be endangered.

---

**Application Note AN188****Revision History: 2010-02-20****Previous Revision:**

| Page | Subjects (major changes since last revision) |
|------|--|
|      |  |
|      |  |
|      |  |
|      |  |
|      |  |
|      |  |
|      |  |
|      |  |

**Trademarks of Infineon Technologies AG**

A-GOLD™, BlueMoon™, COMNEON™, CONVERGATE™, COSIC™, C166™, CROSSAVE™, CanPAK™, CIPOS™, CoolMOS™, CoolSET™, CONVERPATH™, CORECONTROL™, DAVE™, DUALFALC™, DUSLIC™, EasyPIM™, EconoBRIDGE™, EconoDUAL™, EconoPACK™, EconoPIM™, E-GOLD™, EiceDRIVER™, EUPEC™, ELIC™, EPIC™, FALC™, FCOS™, FLEXISLIC™, GEMINAX™, GOLDMOS™, HITFET™, HybridPACK™, INCA™, ISAC™, ISOFACE™, IsoPACK™, IWORX™, M-GOLD™, MIPAQ™, ModSTACK™, MUSLIC™, my-d™, NovalithIC™, OCTALFALC™, OCTAT™, OmniTune™, OmniVia™, OptiMOS™, OPTIVERSE™, ORIGA™, PROFET™, PRO-SIL™, PrimePACK™, QUADFALC™, RASIC™, ReverSave™, SatRIC™, SCEPTRE™, SCOUT™, S-GOLD™, SensoNor™, SEROCCO™, SICOFI™, SIEGET™, SINDRION™, SLIC™, SMARTi™, SmartLEWIS™, SMINT™, SOCRATES™, TEMPFET™, thinQ!™, TrueNTRY™, TriCore™, TRENCHSTOP™, VINAX™, VINETIC™, VIONTIC™, WildPass™, X-GOLD™, XMM™, X-PMU™, XPOSYS™, XWAY™.

**Other Trademarks**

AMBA™, ARM™, MULTI-ICE™, PRIMECELL™, REALVIEW™, THUMB™ of ARM Limited, UK. AUTOSAR™ is licensed by AUTOSAR development partnership. Bluetooth™ of Bluetooth SIG Inc. CAT-ig™ of DECT Forum. COLOSSUS™, FirstGPS™ of Trimble Navigation Ltd. EMV™ of EMVCo, LLC (Visa Holdings Inc.). EPCOS™ of Epcos AG. FLEXGO™ of Microsoft Corporation. FlexRay™ is licensed by FlexRay Consortium. HYPERTERMINAL™ of Hilgraeve Incorporated. IEC™ of Commission Electrotechnique Internationale. IrDA™ of Infrared Data Association Corporation. ISO™ of INTERNATIONAL ORGANIZATION FOR STANDARDIZATION. MATLAB™ of MathWorks, Inc. MAXIM™ of Maxim Integrated Products, Inc. MICROTEC™, NUCLEUS™ of Mentor Graphics Corporation. Mifare™ of NXP. MIPI™ of MIPI Alliance, Inc. MIPS™ of MIPS Technologies, Inc., USA. muRata™ of MURATA MANUFACTURING CO. OmniVision™ of OmniVision Technologies, Inc. Openwave™ Openwave Systems Inc. RED HAT™ Red Hat, Inc. RFMD™ RF Micro Devices, Inc. SIRIUS™ of Sirius Sattelite Radio Inc. SOLARIS™ of Sun Microsystems, Inc. SPANSION™ of Spansion LLC Ltd. Symbian™ of Symbian Software Limited. TAIYO YUDEN™ of Taiyo Yuden Co. TEAKLITE™ of CEVA, Inc. TEKTRONIX™ of Tektronix Inc. TOKO™ of TOKO KABUSHIKI KAISHA TA. UNIX™ of X/Open Company Limited. VERILOG™, PALLADIUM™ of Cadence Design Systems, Inc. VLYNQ™ of Texas Instruments Incorporated. VXWORKS™, WIND RIVER™ of WIND RIVER SYSTEMS, INC. ZETEX™ of Diodes Zetex Limited.

Last Trademarks Update 2009-10-19

## Table of Content

|   |  |    |
|---|--|----|
| 1 | <b>Introduction</b> .....                            | 5  |
| 2 | <b>Application Information</b> .....                 | 9  |
| 3 | <b>Measurement Results</b> .....                     | 11 |
| 4 | <b>Measured Graphs</b> .....                         | 13 |
| 5 | <b>Evaluation Board and layout Information</b> ..... | 18 |
| 6 | <b>Simulation Tool</b> .....                         | 21 |
| 7 | <b>Authors</b> .....                                 | 22 |

## List of Figures

|           |   |    |
|-----------|---|----|
| Figure 1  | TSLP-7-8 Package .....  | 5  |
| Figure 2  | 5-6 GHz WLAN system with LNA BGA758L7, ESD protection diode ESD0p2RFL and power detection diode BAR63x..... | 7  |
| Figure 3  | Block diagram of BGA758L7 .....   | 8  |
| Figure 4  | Schematics of the application circuit for “Application 1” (smaller PCB size).....                           | 9  |
| Figure 5  | Schematics of the application circuit for “Application 2” (best performance) .....                          | 10 |
| Figure 6  | Insertion gain of the both BGA758L7 application circuits .....  | 13 |
| Figure 7  | Wideband insertion gain curves of BGA758L7 application circuits.....  | 13 |
| Figure 8  | Noise figure curves of the both BGA758L7 application circuits .....   | 14 |
| Figure 9  | Wideband insertion gain curves of BGA758L7 application circuits.....  | 14 |
| Figure 10 | Input return loss curves of the both BGA758L7 application circuits .....                                    | 15 |
| Figure 11 | Output return loss curves of the both BGA758L7 application circuits.....                                    | 15 |
| Figure 12 | Stability factor k of the both BGA758L7 application circuits .....  | 16 |
| Figure 13 | Input stability factor $\mu_1$ of the both BGA758L7 application circuits.....                               | 16 |
| Figure 14 | Output stability factor $\mu_2$ of the both BGA758L7 application circuits .....                             | 17 |
| Figure 15 | Photo picture of the unpopulated evaluation board of BGA758L7 .....   | 18 |
| Figure 16 | Photo picture of the populated evaluation board for BGA758L7 “Application 1” .....                          | 18 |
| Figure 17 | Photo picture of the evaluation board for BGA758L7 “Application 2” .....                                    | 19 |
| Figure 18 | Layout of top layer metal of the evaluation board with via holes .....                                      | 19 |
| Figure 19 | Layout of top layer metal of the evaluation board with via holes (detailed view) .....                      | 20 |
| Figure 20 | PCB layer information .....   | 20 |
| Figure 21 | Photo picture of the unpopulated evaluation board of BGA758L7 .....   | 21 |

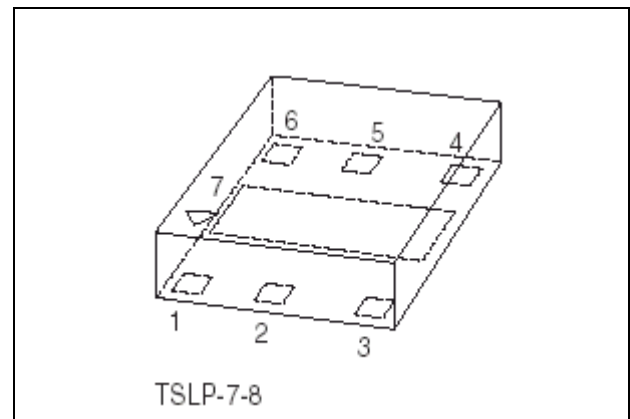
## List of Tables

|         |  |    |
|---------|--|----|
| Table 1 | Pin Definition and Function .....  | 8  |
| Table 2 | Bill-of-Materials of Application Circuit 1 .....                                       | 9  |
| Table 3 | Bill-of-Materials of Application Circuit 2 .....                                       | 10 |
| Table 4 | Electrical Characteristics (measured at room temperature), Application Circuit 2 ..... | 11 |
| Table 5 | Electrical Characteristics (measured at room temperature), Application Circuit 1 ..... | 12 |

## 1 Introduction

### 1.1 Features

- Gain = 12.5 dB at 5.5 GHz
- High Linearity, Input  $P_{-1dB} = -3.5$  dBm
- Low noise figure,  $NF = 1.1$  dB
- Output matching integrated
- DC-decoupled RF output port
- Temperature and voltage compensated internal biasing circuit
- Digital power on/off switch integrated
- Low external part count
- 1kV HBM ESD protection (including IN-pin)
- B7HFM silicon germanium technology
- Tiny TSLP-7-8 leadless package
- Pb-free (RoHS compliant) package



**Figure 1 TSLP-7-8 Package**



### 1.2 Applications

There is increasing number of applications in the frequency band of 5 to 6 GHz. Due to the too cloudy WLAN network at 2.4GHz, the WLAN applications at 5-6 GHz are gaining focus. Not only using WLAN for the high data rate access to the internet, but also different applications like home entertainment with wireless high-quality multimedia signal transmission and home networking amount notebooks, mass data storages and printers, implement 5-6 GHz WLAN features into their system to offer high-speed wireless connection.

In addition, high-band WiMAX is using the same frequency range. WiMAX is the upcoming emerging application for high data rate wireless communication up to 70Mbps/s which is suitable for fixed point-to-point (P2P) communication and also for portable or mobile connections.

For these kinds of high-speed, high data rate wireless communication standards, it is essential to ensure the quality of the link path. Major performance criteria of these equipments have to be fulfilled: sensitivity, strong signal capability and interference immunity.

In order to increase the system sensitivity, to put an excellent low noise amplifier in front of the receiver is mandatory, especially in the environment with very weak signal strength. A good high-gain and low noise amplifier can increase the system sensitivity by several dB. As an example, to increase the sensitivity by 5dB means doubled link distance.

In addition, strong signal environment can exist when the equipment is next to the transmitter. In that case, the LNA must be “strong” enough, i.e. to have high -1dB compression point, to avoid entering into saturation and degrading the gain with increase noise figure.

The cloudy wireless environment nowadays makes the wireless system design more complicated. All kinds of interference might introduce signal distortion and reduce the real throughput data rate. To ensure that the low noise amplifier does not interfered by those signals, high linearity characteristics like IP3 is required.

Figure 2 shows a general application diagram of a WLAN system. BGA758L7 as an low noise amplifier with outstanding noise figure. Moderate gain, high -1dB compression point and high 3<sup>rd</sup> intercept point supports the reception of the WLAN transceiver to boost the system sensitivity in weak signal environment and ensures high data rate even under environment with strong interference signals. The 1kV HBM ESD robustness of BGA758L7 among the all pins helps customers’ assembly lines to avoid ESD issues during the production.

Infineon offers not only the low noise amplifier, but also the ESD systems. The ESD protection diode ESD0p2RFL has a capacitance value of only 0.2pF and can protection up to 8kV contact discharge according to IEC-61000-4-2 standard. The Power detection diode BAR63x helps the transceiver IC to get the real information about the transmission power in the Tx path.

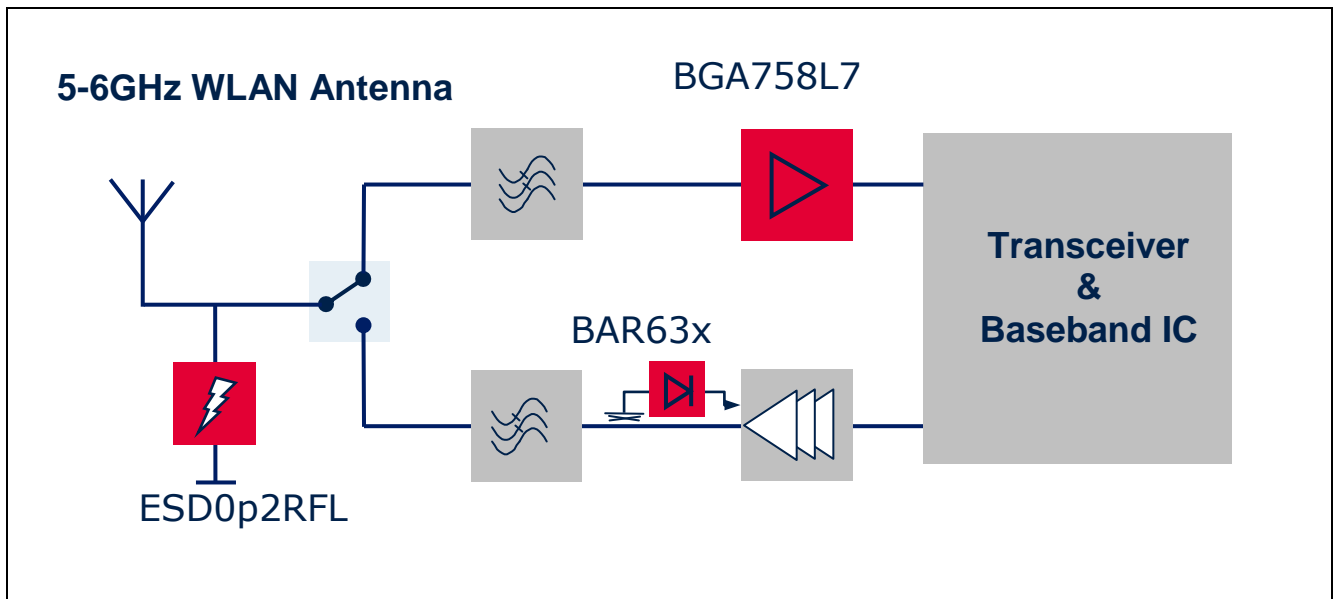


Figure 2 5-6 GHz WLAN system with LNA BGA758L7, ESD protection diode ESD0p2RFL and power detection diode BAR63x.

### 1.3 Description

The BGA758L7 is a Silicon Germanium low noise amplifier MMIC for 5 to 6GHz in the tiny TSLP-7-8 package. The LNA delivers a gain of 12.5 dB while giving an excellent noise figure of 1.3 dB in the application circuit therefore very suitable for WLAN and WiMAX applications in this frequency range. The supply current of 7.0 mA is chosen to maintain a high input -1dB compression point of -3.5 dBm to ensure the high data rate of the both applications.

Beside the Infineon's high performance RF transistor as low noise amplifier, BGA758 integrates also different useful features into it. The temperature compensated by the internal biasing circuit provides stable power consumption over the temperature range. The broadband output matching is realized by on-chip integrated LC circuits in combination with the bonding wire inductances in the package and offers outstanding matching condition to get connected with the following components. The application circuit requires only three external elements, mainly for the input matching purpose. The input matching is not integrated to ensure the best noise figure in the application.

In Figure 3, the block diagram of the low noise amplifier BGA758L7 is presented. The pin numbering, names and functions are described in table 1.

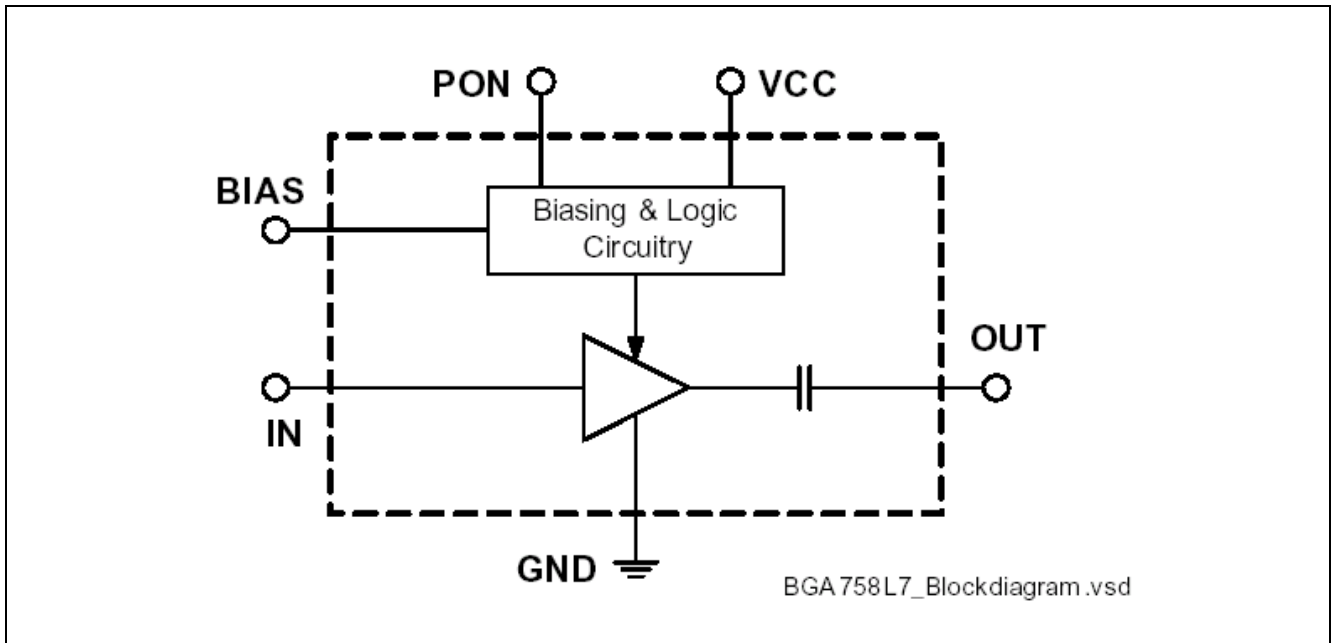


Figure 3 Block diagram of BGA758L7

Table 1 Pin Definition and Function

| PIN No. | Name | Function             |
|---------|------|----------------------|
| 1       | PON  | Power on/off control |
| 2       | IN   | RF input pin         |
| 3       | BIAS | DC Bias              |
| 4       | n.c  | Not connected        |
| 5       | VCC  | DC power supply      |
| 6       | OUT  | RF output pin        |
| 7       | GND  | DC and RF ground pin |



## 2 Application Information

In this application note, two different kinds of application circuits are described. Application 1 is the standard application circuit and optimized for the size of the application circuit and for the lowest BOM list. Application 2 is optimised for the lowest noise figure. With only one additional external element, an ultra low noise figure of 1.1 dB can be achieved.

### 2.1 Schematics

Figure 4 shows the proposed application circuit to get the best performance of BGA758L7. The bill-of-materials (BOM) used is shown in table 2. One inductor at input can be omitted to reduce the space used on the PCB as shown in the figure 5 and the BOM in table 3.

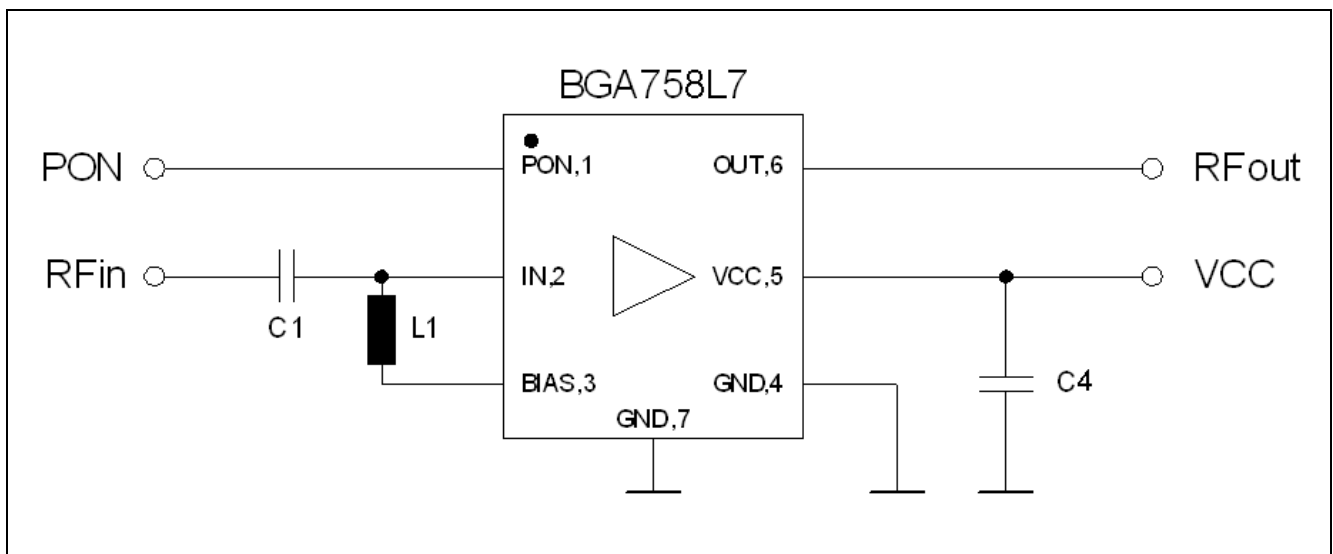


Figure 4 Schematics of the application circuit for “Application 1” (smaller PCB size)

Table 2 Bill-of-Materials of Application Circuit 1

| Symbol | Value    | Unit | Size     | Manufacturer | Comment      |
|--------|----------|------|----------|--------------|--------------|
| C1     | 2.7      | pF   | 0402     | various      |              |
| C4     | 1        | nF   | 0402     | various      |              |
| L1     | 3.9      | nH   | 0402     | Murata       | LQW15 series |
| Q1     | BGA758L7 |      | TSLP-7-8 | Infineon     |              |

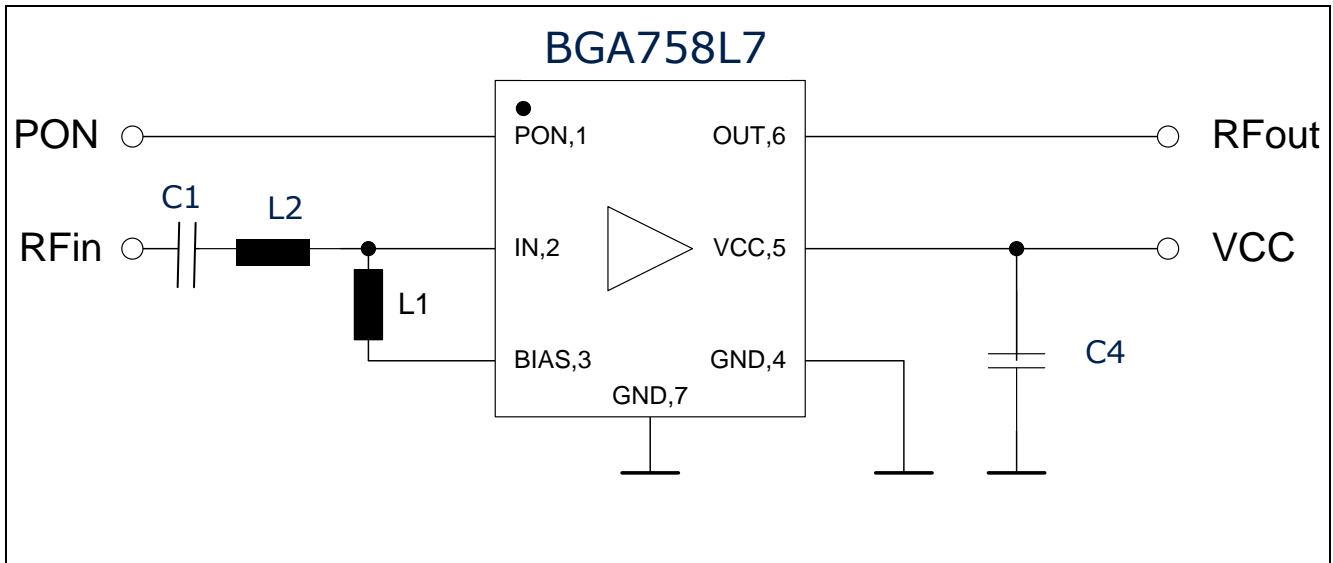


Figure 5 Schematics of the application circuit for “Application 2” (best performance)

Table 3 Bill-of-Materials of Application Circuit 2

| Symbol | Value    | Unit | Size     | Manufacturer | Comment      |
|--------|----------|------|----------|--------------|--------------|
| C1     | 2.7      | pF   | 0402     | various      |              |
| C4     | 1        | nF   | 0402     | various      |              |
| L1     | 3.9      | nH   | 0402     | Murata       | LQW15 series |
| L2     | 1.3      | nH   | 0402     | Murata       | LQW15 series |
| Q1     | BGA758L7 |      | TSLP-7-8 | Infineon     |              |

### 3 Measurement Results

Table 4 shows the measurement results of **BGA758L7 with the application circuit 1** measured at 3.3 V and 6.8 mA. The insertion gain is 12.7 dB at 5.5 GHz with excellent noise figure of 1.32 dB. The input and output are broadband matched to 50 Ohm. With its optimized design, BGA758L7 offers high input -1dB compression point of -4 dBm and input 3<sup>rd</sup>-order intercept point of +8 dBm to ensure the system not to have interference issues in the filed tests. The circuit of BGA758L7 is unconditionally stable measured up to 10GHz.

**Table 4 Electrical Characteristics (measured at room temperature), Application Circuit 1**

| Parameter          | Symbol | Value | Unit | Comment/Test Condition                           |
|--------------------|--------|-------|------|--|
| Frequency Range    | Freq   | 5-6   | GHz  |  |
| DC Voltage         | Vcc    | 3.3   | V    |  |
| DC Current         | Icc    | 6.8   | mA   |  |
| Gain               | G      | 12.7  | dB   | f=5.5GHz   |
| Noise Figure       | NF     | 1.32  | dB   | f=5.5GHz, input line loss of 0.1dB is deembedded |
| Input Return Loss  | RLin   | -18   | dB   | f=5.5GHz   |
| Output Return Loss | RLout  | -18   | dB   | f=5.5GHz   |
| Reverse Isolation  | IRev   | -22   | dB   | f=5.5GHz   |
| Input P1dB         | IP1dB  | -4.0  | dBm  | f=5.5GHz   |
| Output P1dB        | OP1dB  | 7.7   | dBm  | f=5.5GHz   |
| Input IP3          | IIP3   | 8.0   | dBm  | f=5.5GHz, Δf=1MHz, Pin=-30dBm                    |
| Output IP3         | OIP3   | 20.7  | dBm  | f=5.5GHz, Δf=1MHz, Pin=-30dBm                    |
| Stability          | k      | >1    | --   | Unconditionally stable up to 10 GHz              |

Table 5 shows the measurement results of **BGA758L7 with the application circuit 2** measured at 3.3 V and 6.8 mA. The insertion gain is 12.7 dB at 5.5 GHz with excellent noise figure of 1.13 dB. The input and output are broadband matched to 50 Ohm. With its optimized design, BGA758L7 offers high input -1dB compression point of -4 dBm and input 3<sup>rd</sup>-order intercept point of +8 dBm to ensure the system not to have interference issues in the filed tests. The circuit of BGA758L7 is unconditionally stable measured up to 10 GHz.

**Table 5 Electrical Characteristics (measured at room temperature), Application Circuit 2**

| Parameter          | Symbol | Value | Unit | Comment/Test Condition                            |
|--------------------|--------|-------|------|---|
| Frequency Range    | Freq   | 5-6   | GHz  |   |
| DC Voltage         | Vcc    | 3.3   | V    |   |
| DC Current         | Icc    | 6.8   | mA   |   |
| Gain               | G      | 12.7  | dB   | f=5.5GHz  |
| Noise Figure       | NF     | 1.13  | dB   | f=5.5GHz, input line loss of 0.15dB is deembedded |
| Input Return Loss  | RLin   | -14   | dB   | f=5.5GHz  |
| Output Return Loss | RLout  | -15   | dB   | f=5.5GHz  |
| Reverse Isolation  | IRev   | -22   | dB   | f=5.5GHz  |
| Input P1dB         | IP1dB  | -4.1  | dBm  | f=5.5GHz  |
| Output P1dB        | OP1dB  | 7.6   | dBm  | f=5.5GHz  |
| Input IP3          | IIP3   | 8.0   | dBm  | f=5.5GHz, Δf=1MHz, Pin=-30dBm                     |
| Output IP3         | OIP3   | 20.7  | dBm  | f=5.5GHz, Δf=1MHz, Pin=-30dBm                     |
| Stability          | k      | >1    | --   | Unconditionally stable up to 10 GHz               |

## 4 Measured Graphs

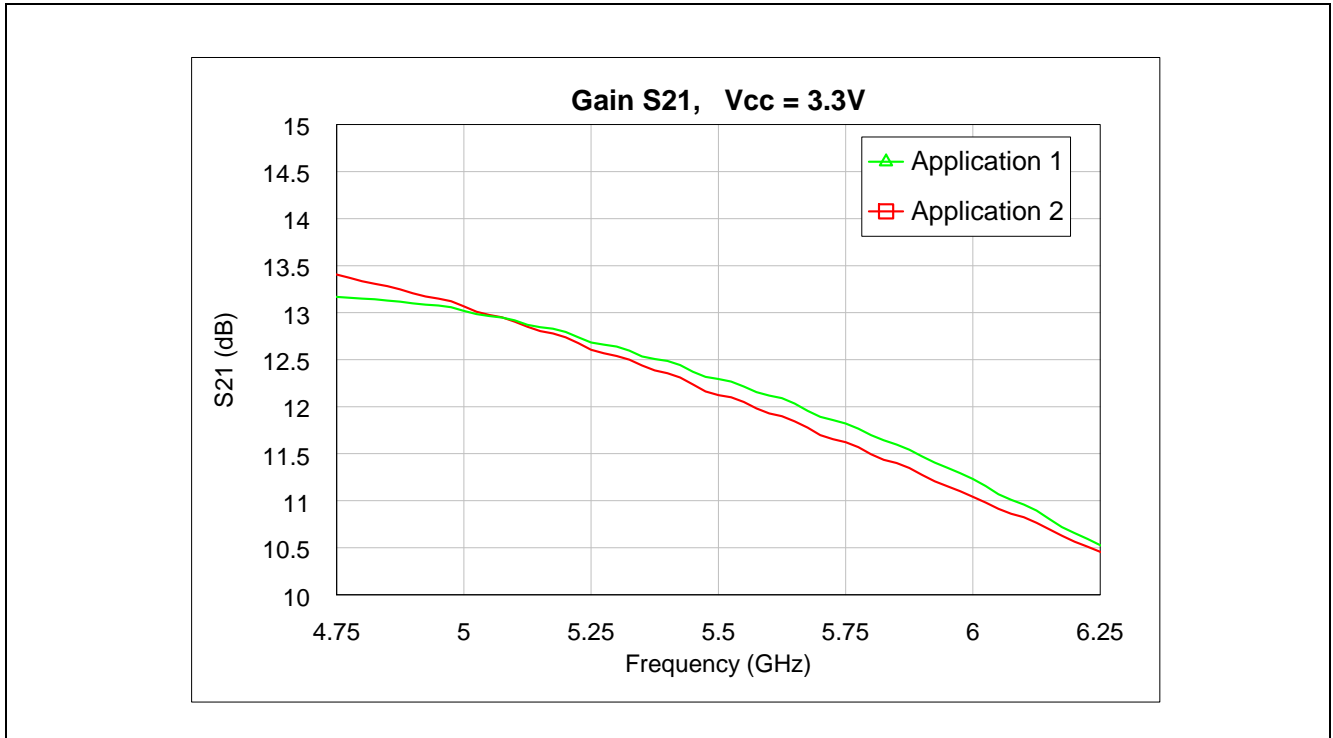


Figure 6 Insertion gain of the both BGA758L7 application circuits

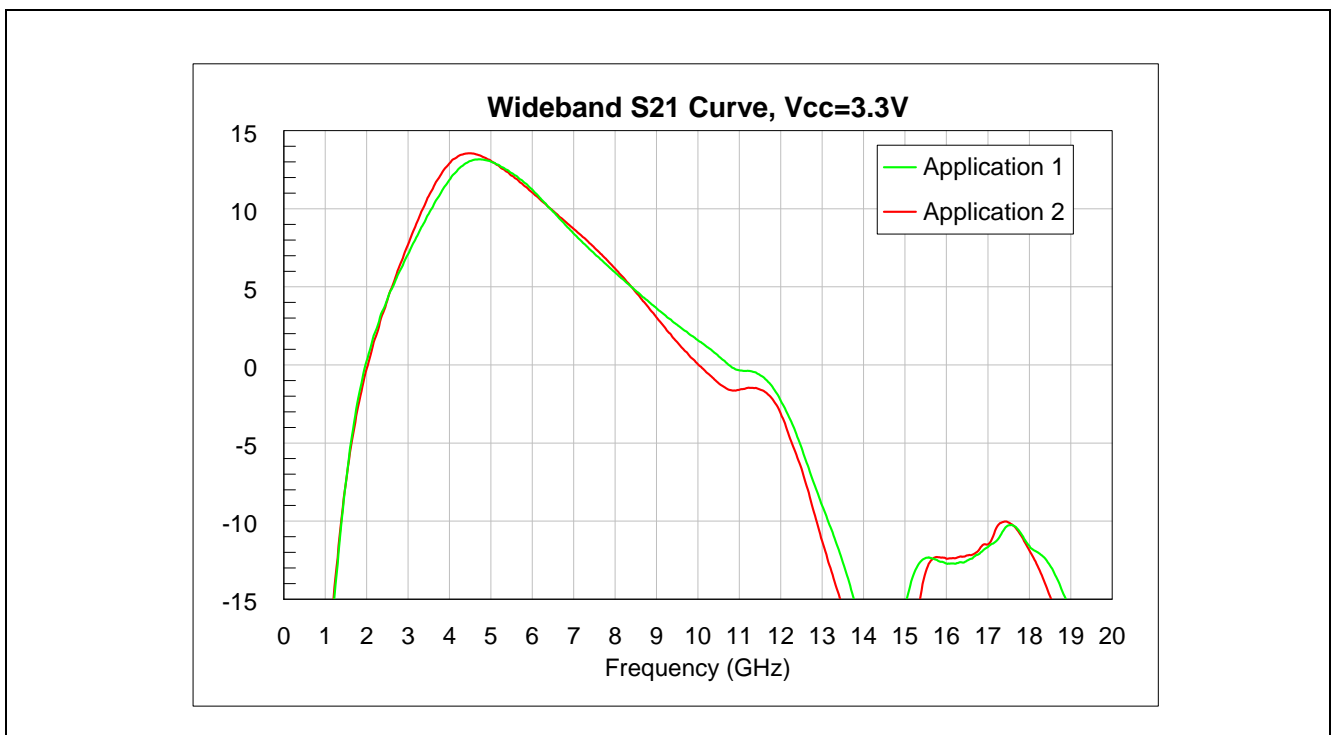


Figure 7 Wideband insertion gain curves of BGA758L7 application circuits

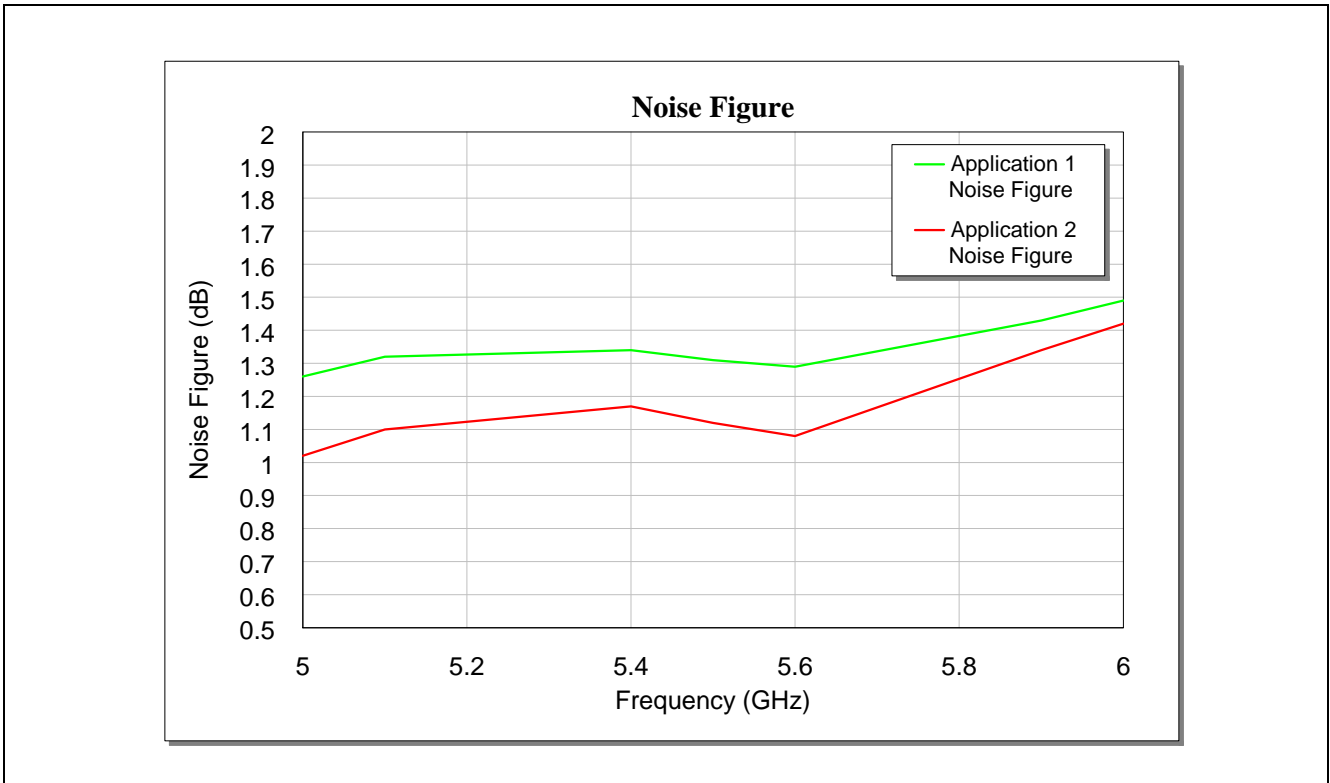


Figure 8 Noise figure curves of the both BGA758L7 application circuits

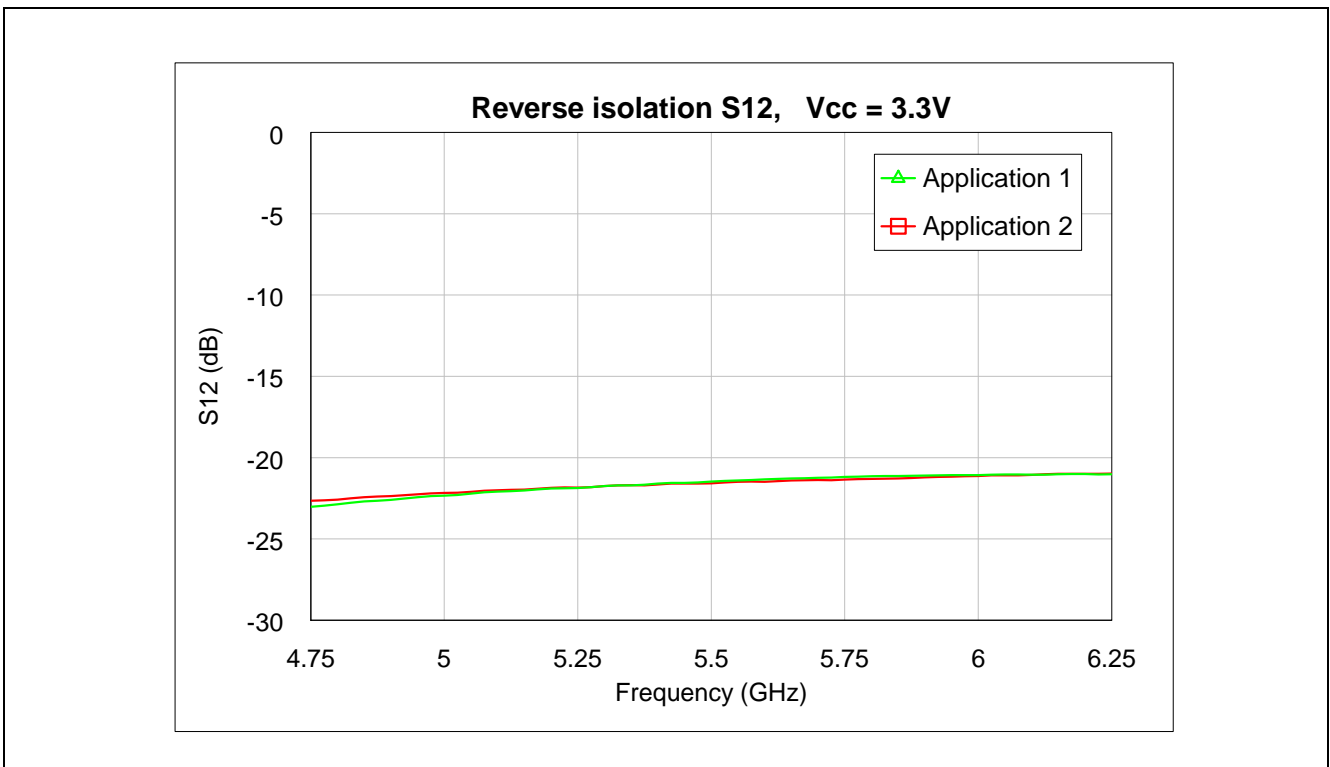


Figure 9 Wideband insertion gain curves of BGA758L7 application circuits

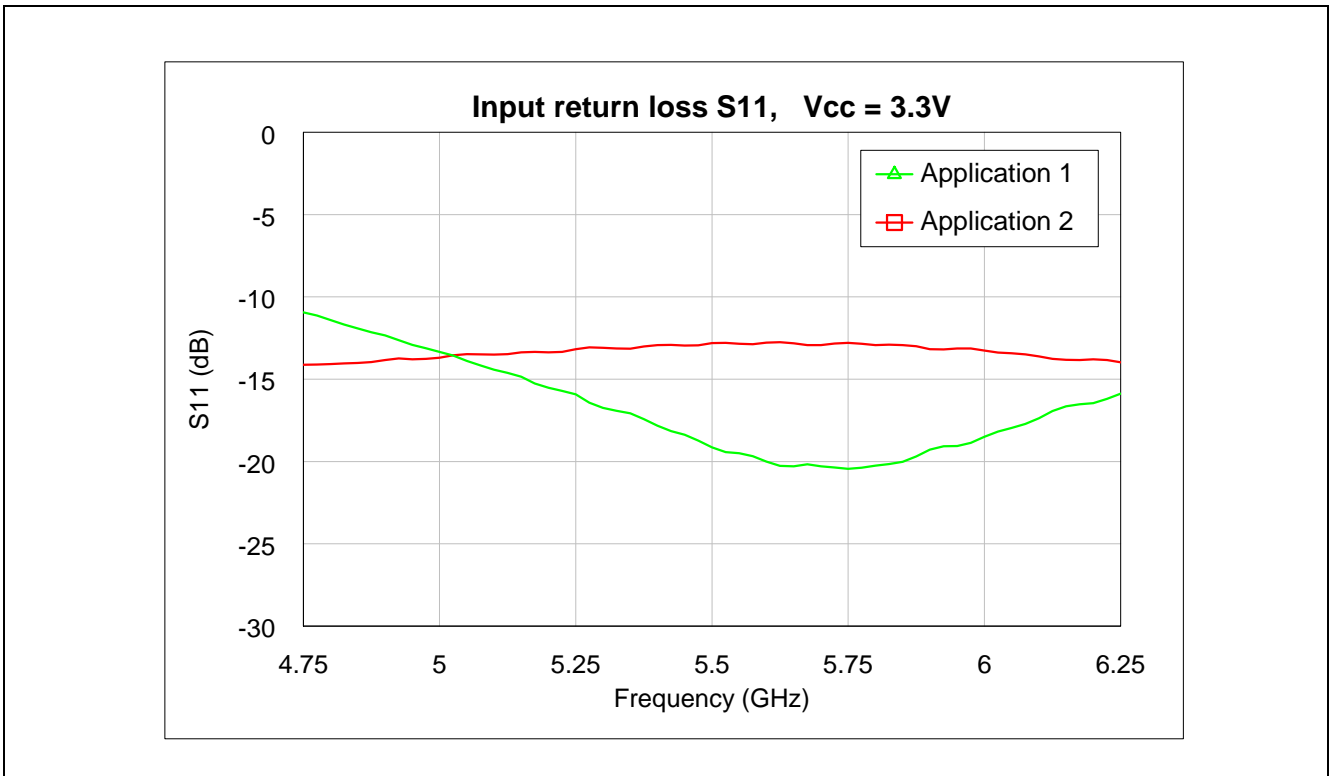


Figure 10 Input return loss curves of the both BGA758L7 application circuits

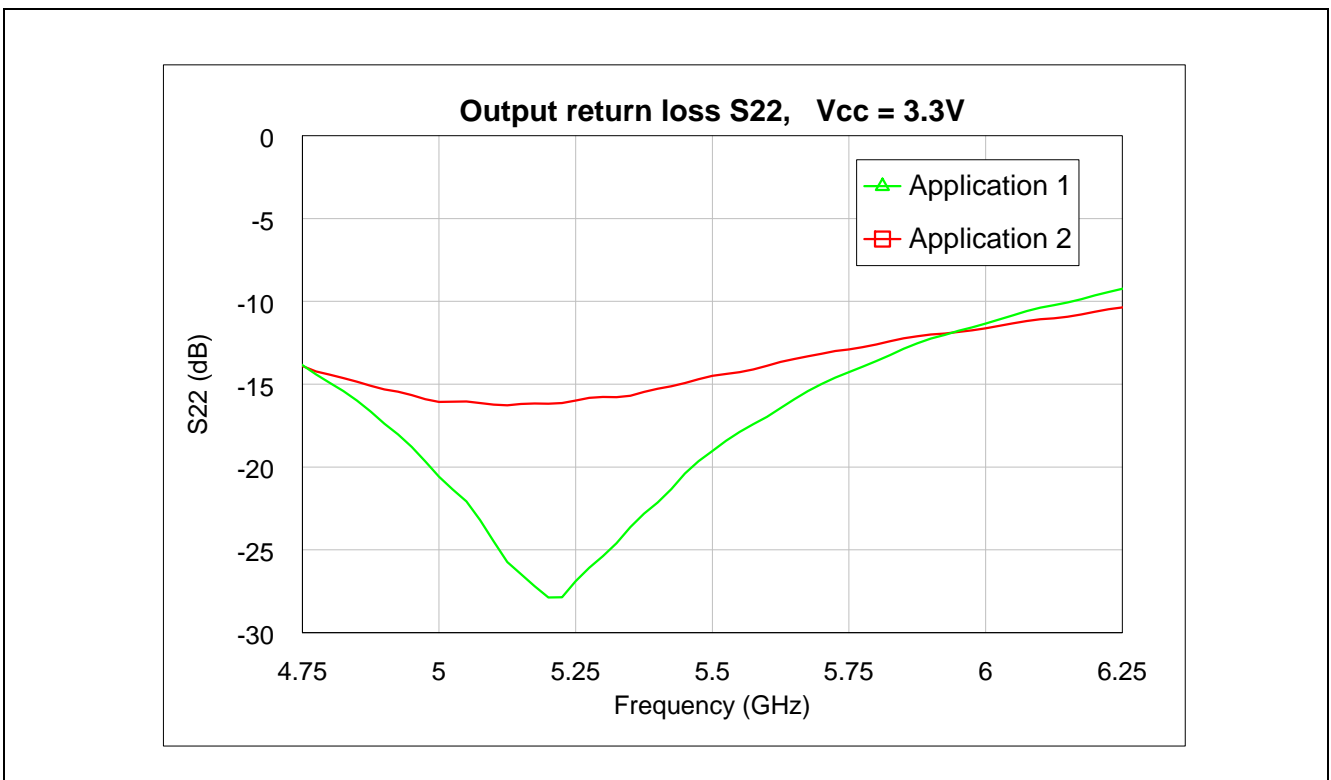


Figure 11 Output return loss curves of the both BGA758L7 application circuits

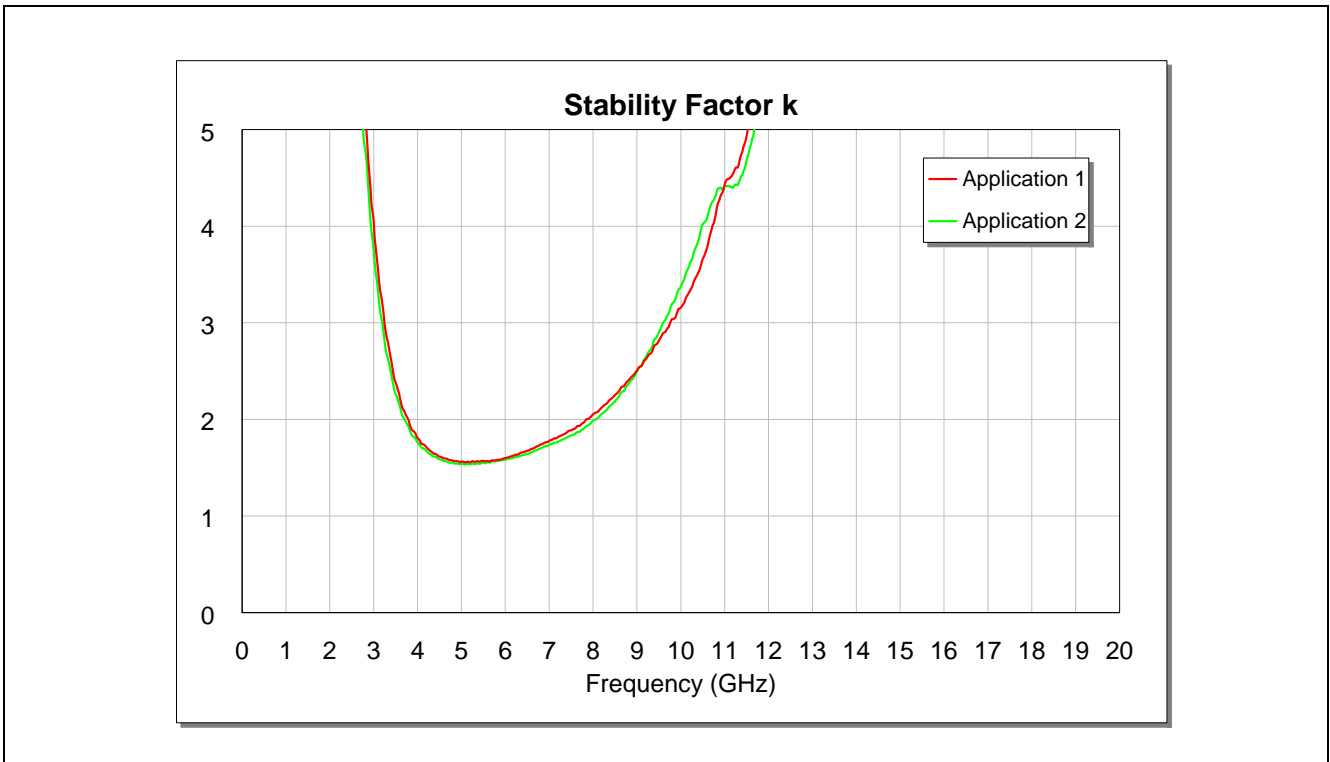


Figure 12 Stability factor k of the both BGA758L7 application circuits

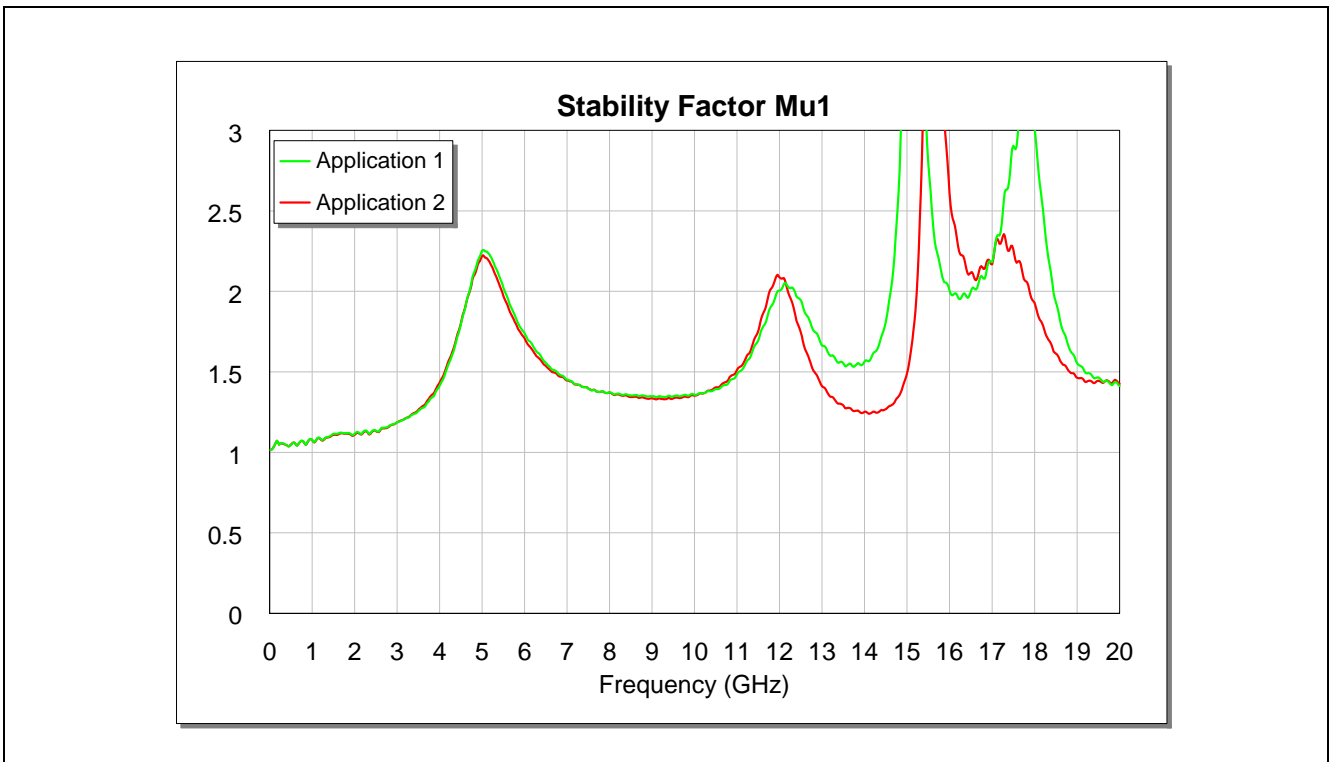


Figure 13 Input stability factor  $\mu_1$  of the both BGA758L7 application circuits



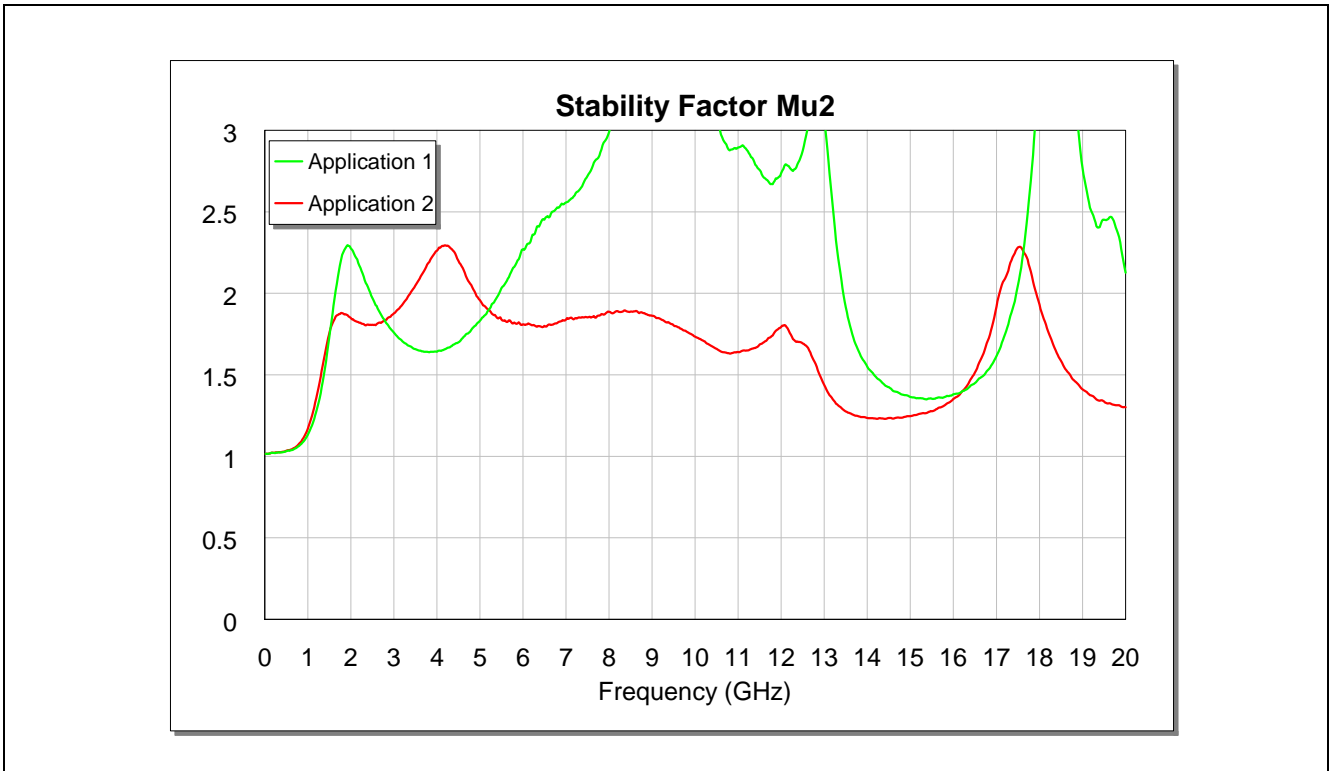


Figure 14 Output stability factor  $\mu_2$  of the both BGA758L7 application circuits

## 5 Evaluation Board and layout Information

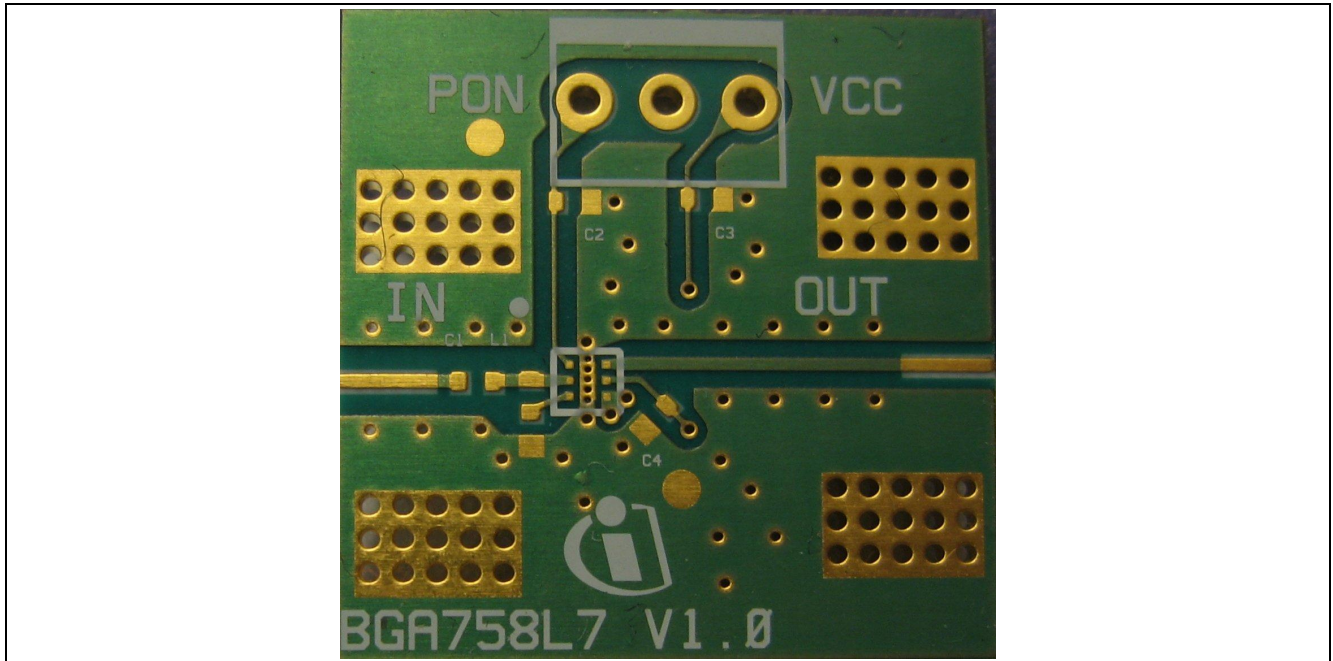


Figure 15 Photo picture of the unpopulated evaluation board of BGA758L7

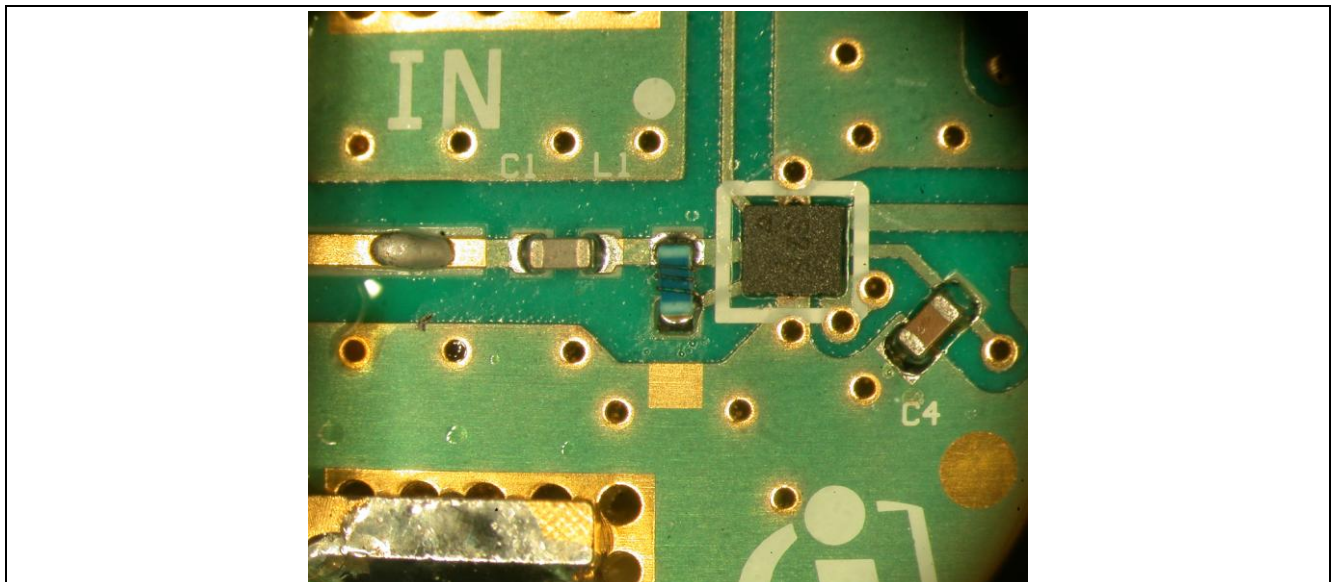


Figure 16 Photo picture of the populated evaluation board for BGA758L7 "Application 1"

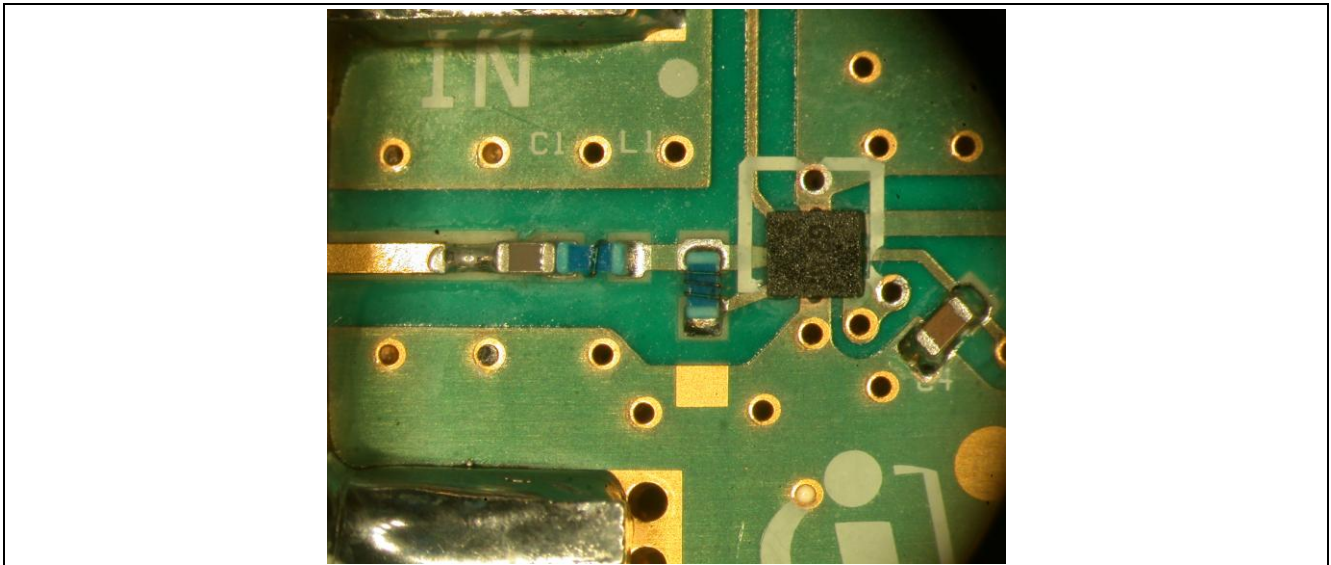


Figure 17 Photo picture of the evaluation board for BGA758L7 “Application 2”

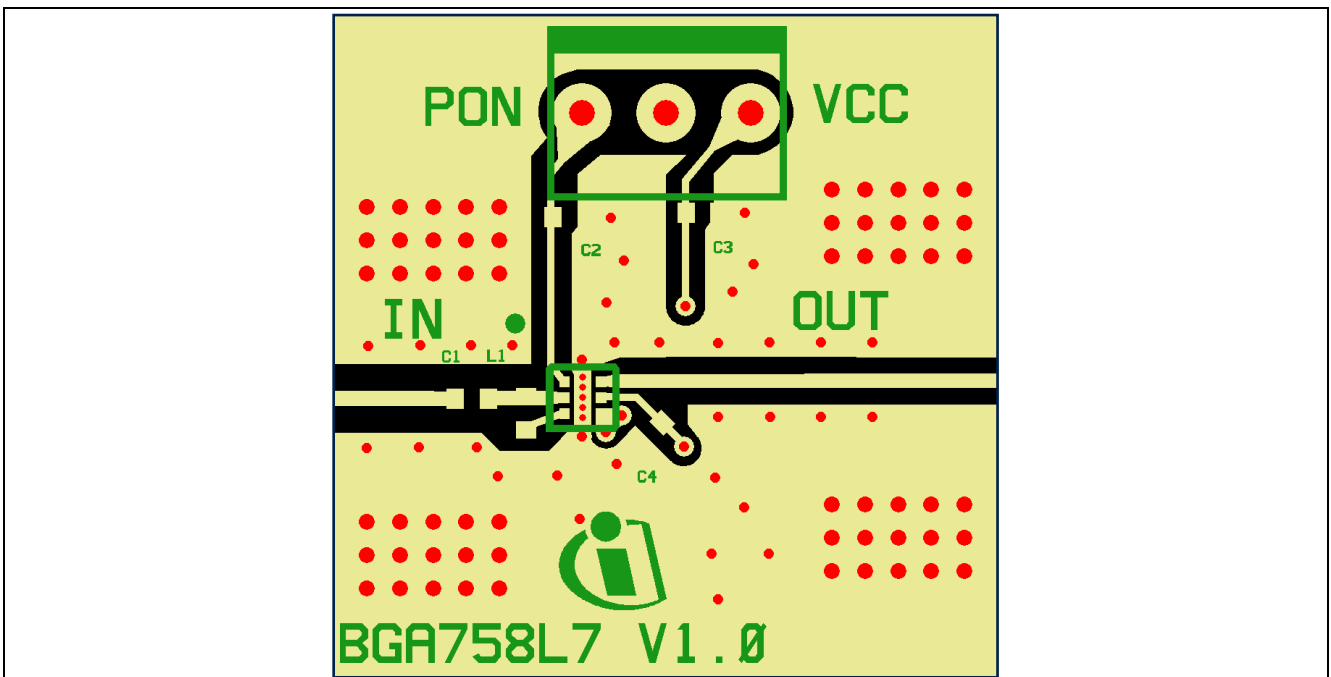


Figure 18 Layout of top layer metal of the evaluation board with via holes

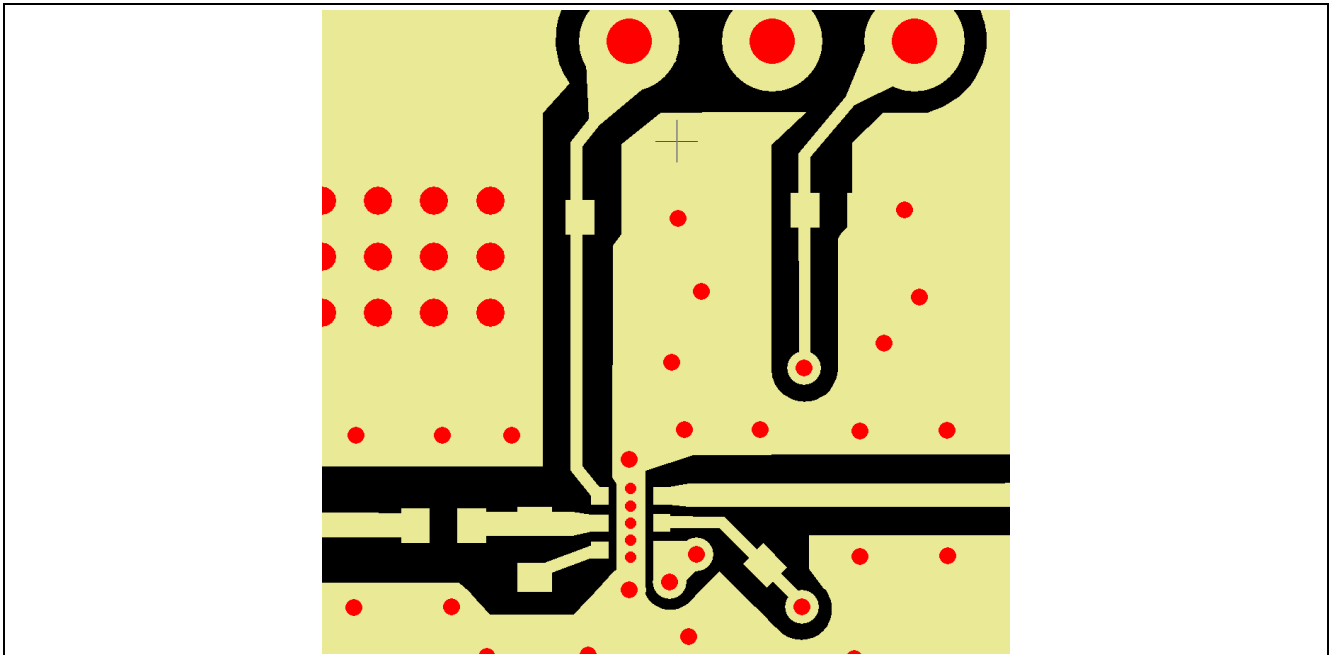


Figure 19 Layout of top layer metal of the evaluation board with via holes (detailed view)

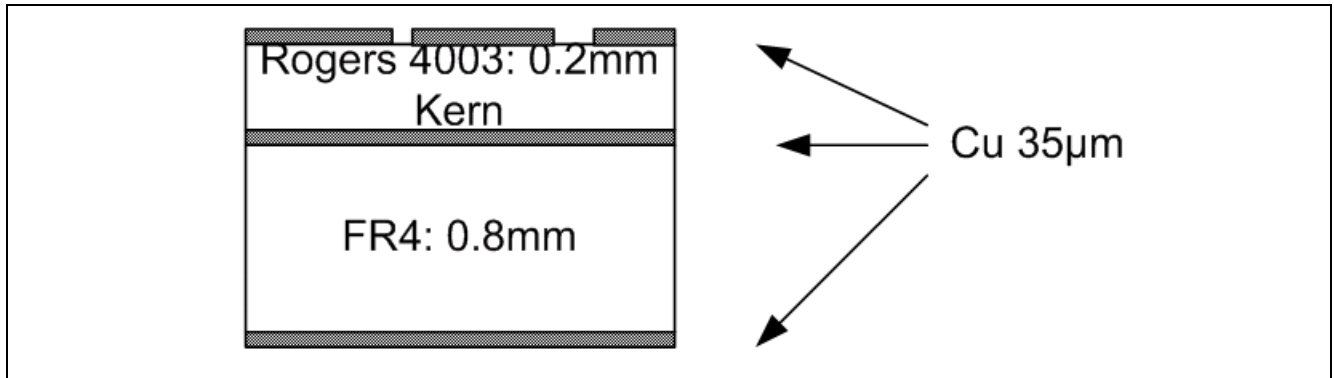


Figure 20 PCB layer information

## 6 Simulation Tool

Please find in the following attached file the S-parameter file with noise parameter for the simulation purpose. Please note that the S-parameter is measured from 10MHz up to 10GHz. The noise parameter covers only from 5 to 6 GHz. Figure 21 describes how the S-parameter file with the noise parameter is measured and the reference plane used in the file. A Jumper is used instead of C1 on the board. The biasing inductor L1 is not used. The BGA758L7 is biased through the external bias-T together with Vcc and PON connected to 3.3V. The phase shift introduced by the transmission lines at the input and the output are deembedded through the port extension so that the reference plane of the S-parameter file is directly at the Input and the output pins of BGA758L7. But the losses of the input line of 0.15dB and of the output line of 0.3dB are not deembedded.

S-Parameter file with the noise parameter (please right click the symbol and save the file)

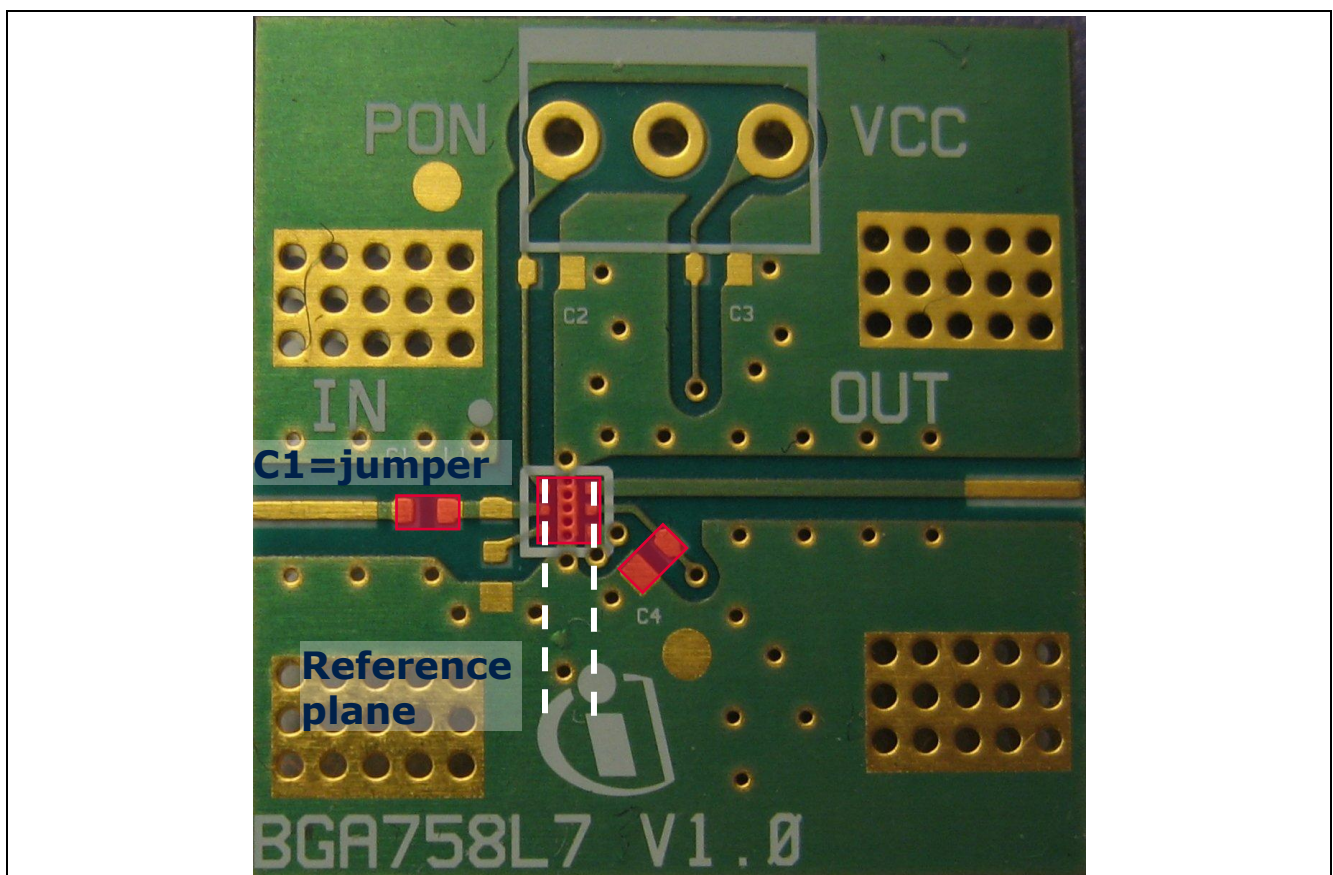


Figure 21 Photo picture of the unpopulated evaluation board of BGA758L7

## 7 Authors

Dr. Chih-I Lin, Senior Staff Engineer of Technical Marketing at Business Unit “RF and Protection Devices”

Tobias Hunzinger, BGA758L7 Project Manager of Business Unit “RF and Protection Devices”

[www.infineon.com](http://www.infineon.com)